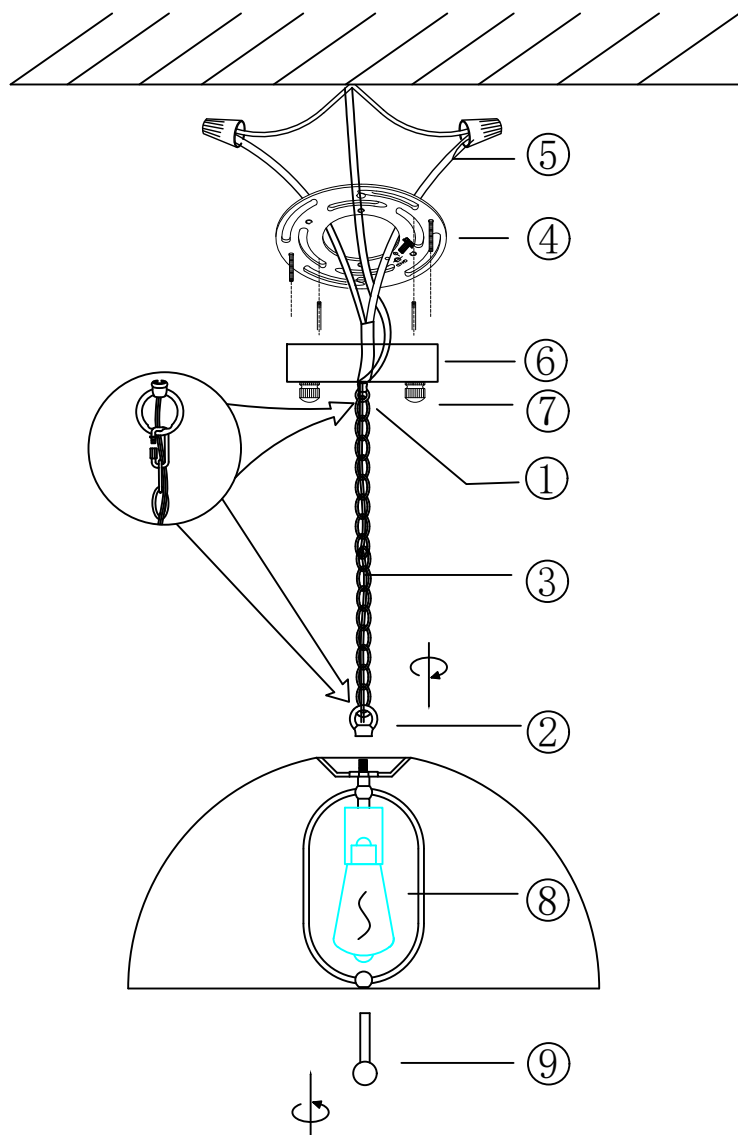


ASSEMBLY AND INSTALLATION INSTRUCTIONS

WARNING: TO AVOID RISK OF ELECTRICAL SHOCK, BE SURE TO SHUT OFF POWER BEFORE INSTALLING OR SERVICING THIS FIXTURE.



Before You Begin:

- Ensure power is turned off at the circuit breaker before installation.
- Read all instructions carefully.
- Installation should be performed by a qualified electrician if you are unfamiliar with wiring.

Step-by-Step Installation:

1. Attach the clasp from the suspension chain to the canopy.
2. Connect the hanging ring from the chain to the fixture body.
(The chain length can be freely adjusted.)
3. Thread the wire through the chain and canopy.
4. Secure the mounting plate to the ceiling junction box.
5. Wiring Connections
 - Use wire connectors to connect the fixture's positive wire, negative wire to the corresponding wires from the junction box. And secure the ground wires to the grounding terminal on the mounting plate.
 - Ensure no exposed conductors remain outside wire connectors or outside the junction box.
6. Lift the canopy upward, aligning it with the mounting plate.
7. Secure the canopy to the mounting plate using the provided screws.
8. Install the light bulb into the socket. (Bulb Not Included)
9. Install the decorative metal finial.

Safety Instructions:

To avoid fire, shock, and serious personal injury, follow all instructions carefully.

1. Do not install or use the light fixture if any part is missing or damaged.
2. To avoid possible electrical shock, be sure electricity is turned off at the main fuse or circuit breaker box before wiring.
3. Make certain no bare wires are exposed outside the wire connectors.
4. All wiring must conform to national and local electrical codes.
5. Follow the recommended instructions for the proper method of wiring your new light fixture. If you feel you do not have enough electrical wiring knowledge or experience, have your light fixture installed by a licensed electrician. Any electrical work not described in this manual should be performed by a licensed electrician.