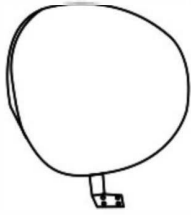







| | |
|---|---|
| Ax 1 | Bx 1 |
|  |  |
| Cx 1 |  |
| Dx 1 |  |
| Ex 1 | |
| Fx 5 |  |
| Gx 4 BLACK | M6*18 |
| G1x 4 CHROMED | M6*25 |
| Hx 1 El |  |

