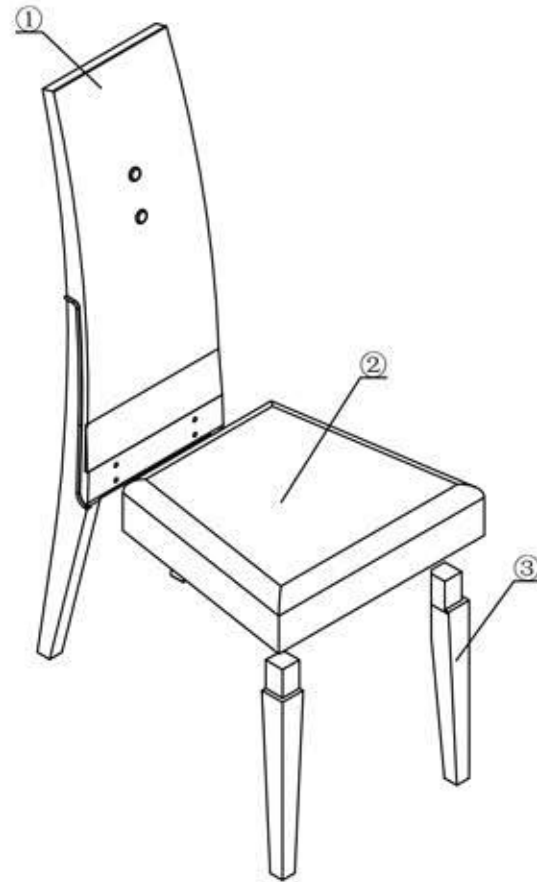






| No | Part | Qty |
|----|---------------|-----|
| 1 | Chair Back | 1 |
| 2 | Chair Shelves | 1 |
| 3 | Wood legs | 2 |



| No | Part | Qty |
|----|---|-----|
| A |  Spanner (5mm) | 1 |
| B |  Screw M8x50 | 6 |
| C |  Spring Gasket M8 | 6 |
| D |  Gasket M8 (Ø20X2.0mm) | 6 |



- Please check contents and read instructions before commencing assembly.
- Please use a soft mat to avoid damaging during assembly
- Assemble this article following the enclosed instructions carefully.

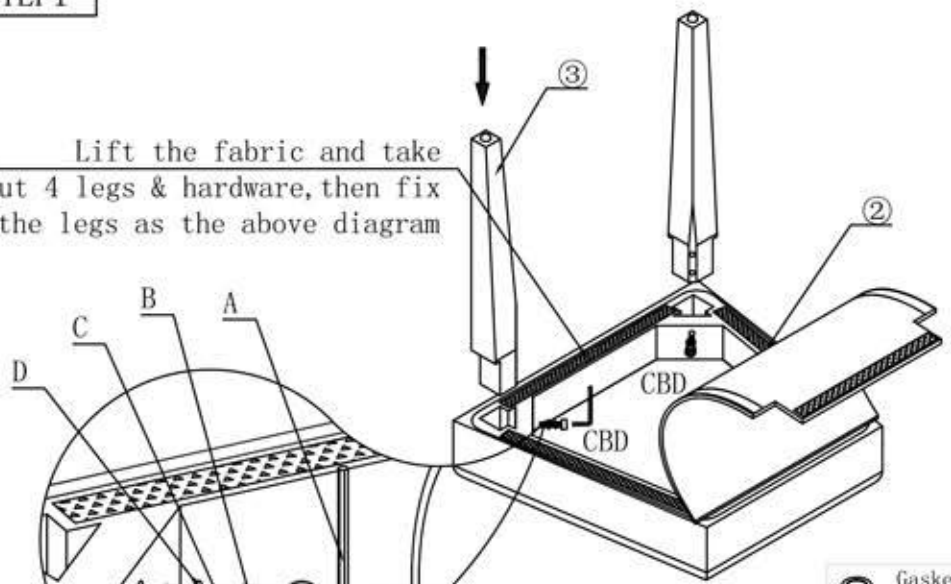


10min

CHAIR

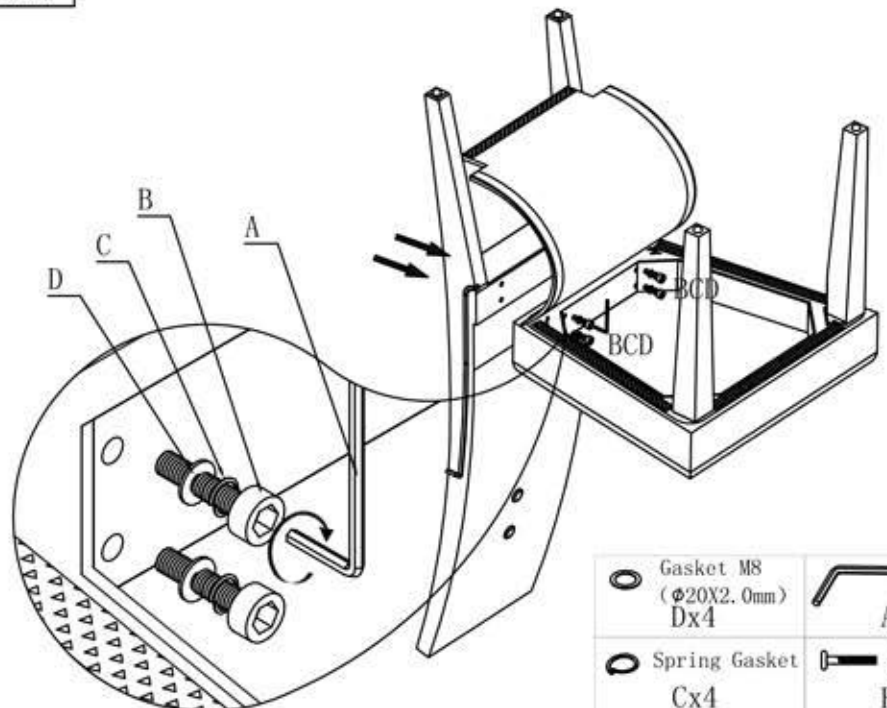
STEP1

Lift the fabric and take out 4 legs & hardware, then fix the legs as the above diagram



- Spring Gasket Cx2
- Ax1
- Gasket M8 (φ20X2.0mm) Dx2
- M8x50 Bx2

STEP2



- Gasket M8 (φ20X2.0mm) Dx4
- Ax1
- Spring Gasket Cx4
- M8x50 Bx4

STEP3

