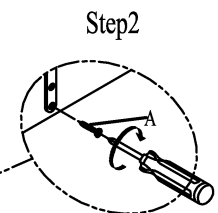
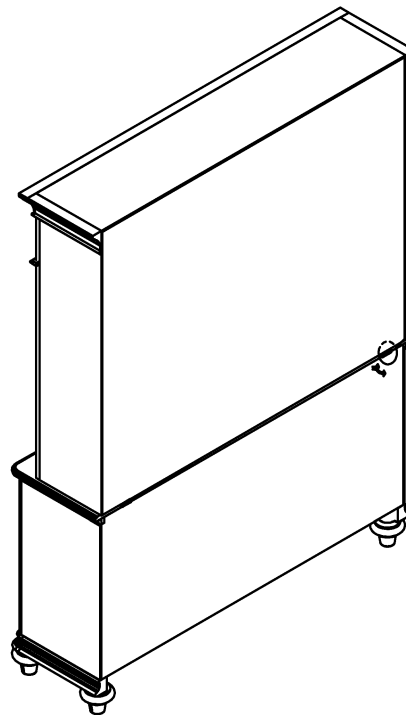
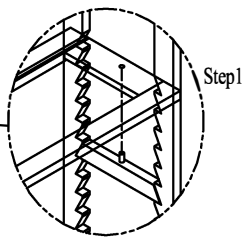
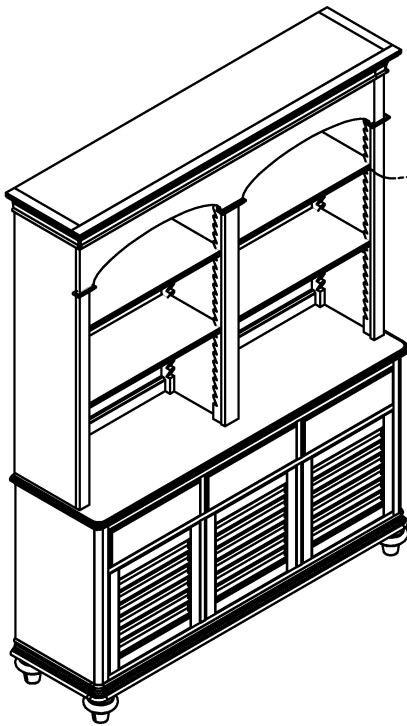


ASSEMBLY INSTRUCTION

75- 075-079 INTRUCTIONS TO ATTACH DECK UNIT TO BASE UNIT

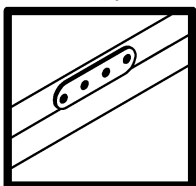
IMPORTANT NOTES :

- . Place all wooden parts on a clean and smooth surface such as a rug or carpet to prevent the parts from being scratched.
- . Check to be sure that you have all parts and hardware.
- . Remove all wrapping materials,including staples and packing straps before you start to assemble.
- . Do not tighten all screws and bolts until completely assembled.
- . Keep all hardware out of the reach of children.

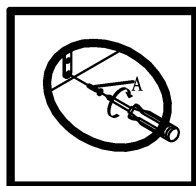


CODE	DESCRIPTION	QTY
A	Screw #4*15mm 	6pcs

a.




b.

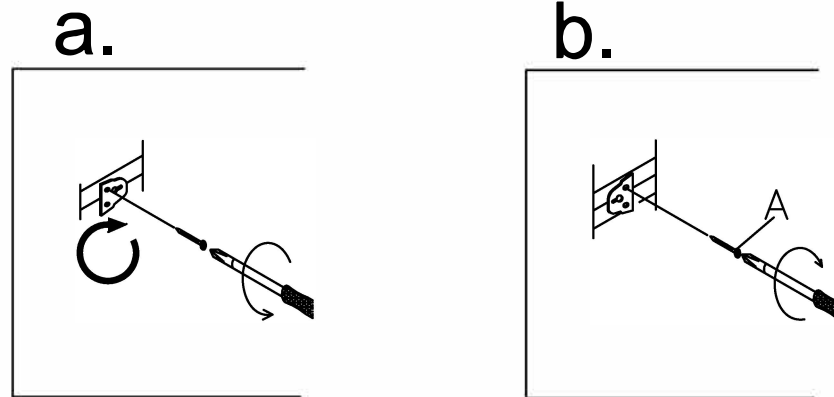


MADE IN VIETNAM

Instructions to attach deck unit to base unit

Hardware List

CODE	DESCRIPTION	NUM
A	 Screw 5/32x11/16	4



a.)Put the deck onto the top of the base,back edge is flush with each other.

Loosen but do not remove screw that attach the metal brackets on the base.

b.)Swivel the bracket to cover the back edge of both the base and deck.

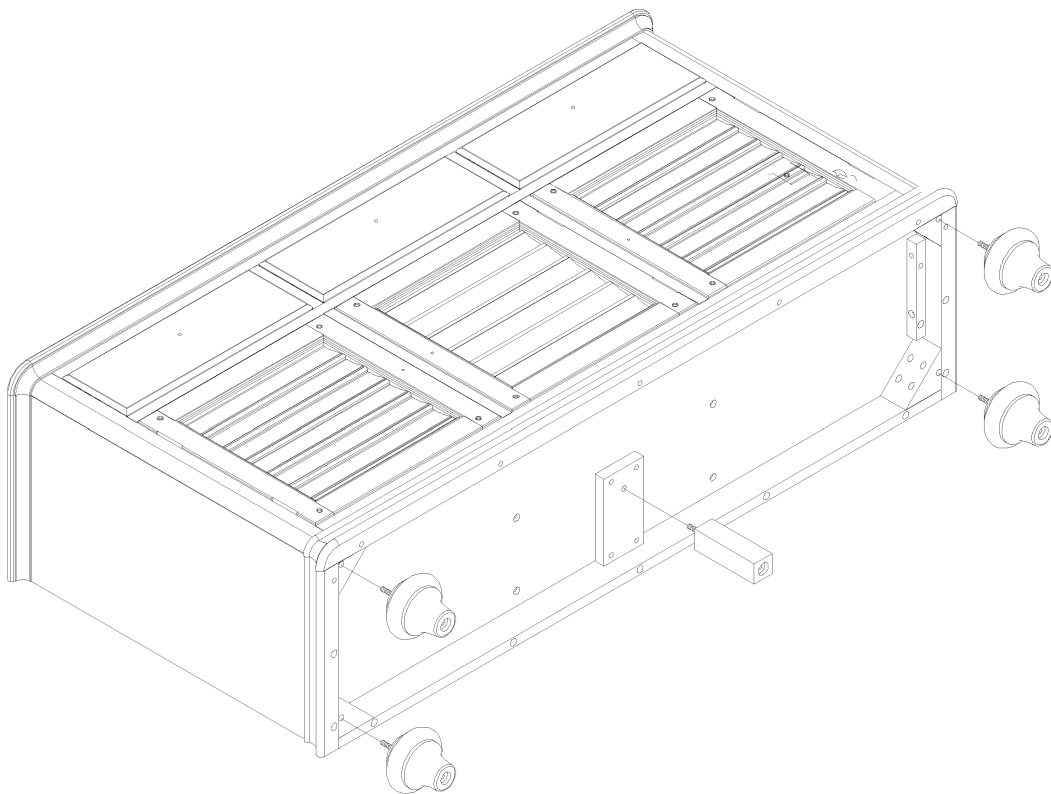
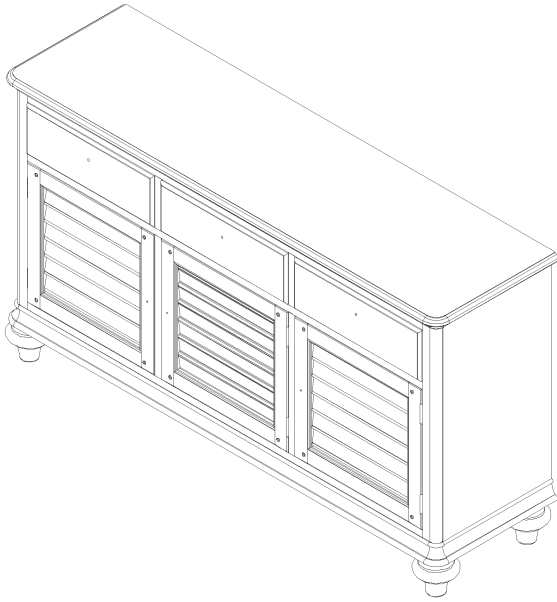
Re-tighten the screw in edge of base top,and install the provided screw(A) in back edge of deck.

ASSEMBLY INSTRUCTION

75/76 - 075 BUFFET

IMPORTANT NOTES :

- . Place all wooden parts on a clean and smooth surface such as a rug or carpet to prevent the parts from being scratched.
- . Check to be sure that you have all parts and hardware.
- . Remove all wrapping materials, including staples and packing straps before you start to assemble.
- . Do not tighten all screws and bolts until completely assembled.
- . Keep all hardware out of the reach of children.



MADE IN VIETNAM