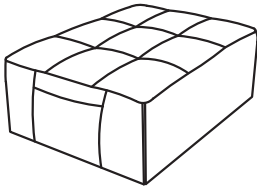


USE AND MAINTENANCE

- Use on level surfaces only
- Because this product needs assembly, it is prone to working itself loose from time to time depending on the use. Please take the time to check that all connections are still tight and working properly for safety.
- Only clean using a damp cloth and mild detergent, do not use bleach or abrasive cleaners.

Sleeper Convertible Ottoman

PART LIST



1 - Ottoman Base x1

HARDWARE

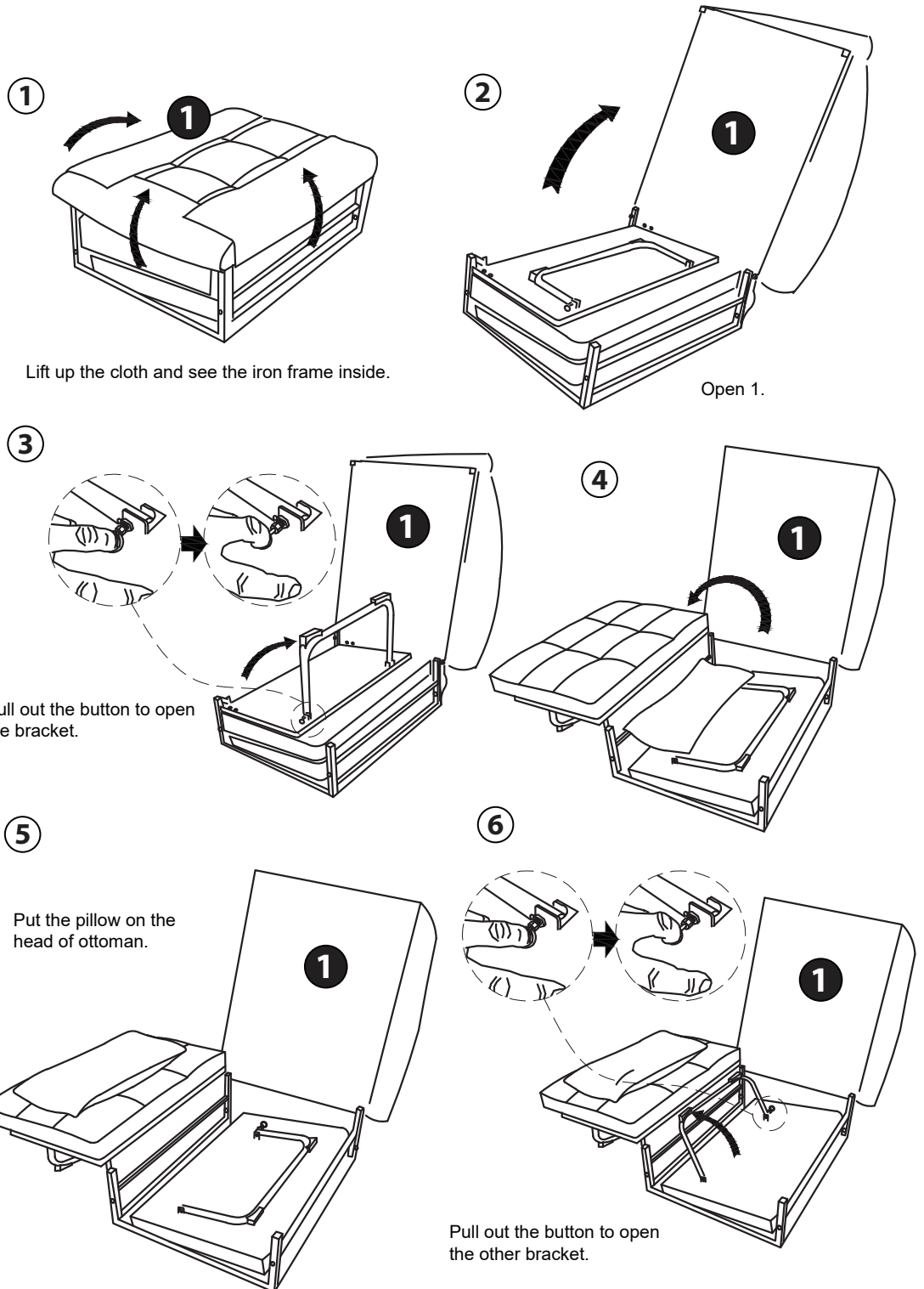


A - Bolt x4



B - Nut x4

Assembly Instructions

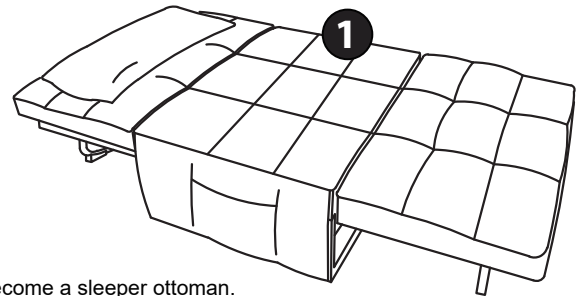
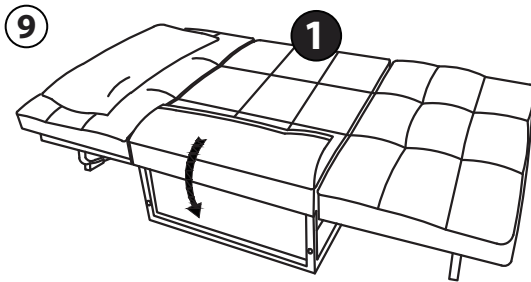
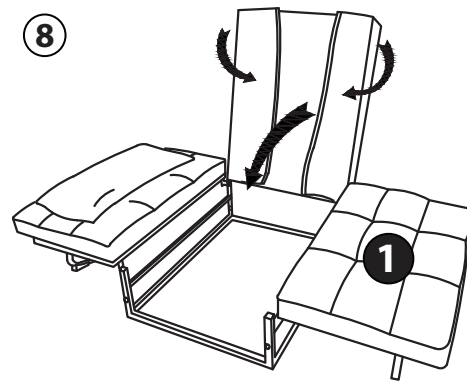
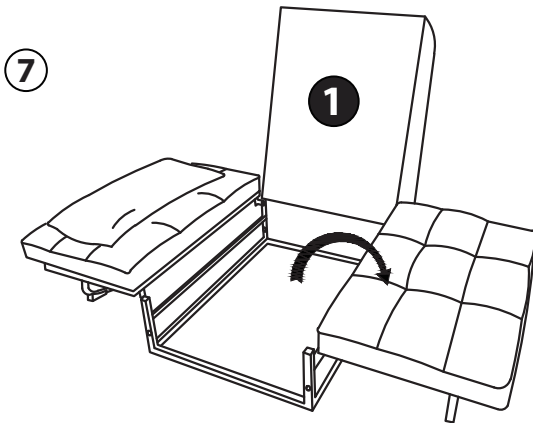


USE AND MAINTENANCE

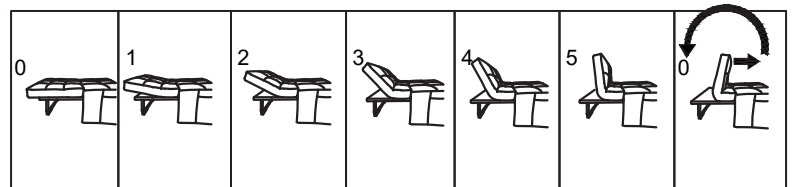
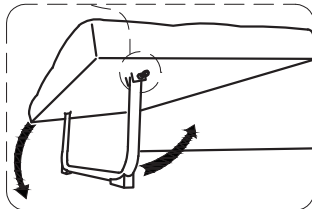
- Use on level surfaces only
- Because this product needs assembly, it is prone to working itself loose from time to time depending on the use. Please take the time to check that all connections are still tight and working properly for safety.
- Only clean using a damp cloth and mild detergent, do not use bleach or abrasive cleaners.

Sleeper Convertible Ottoman

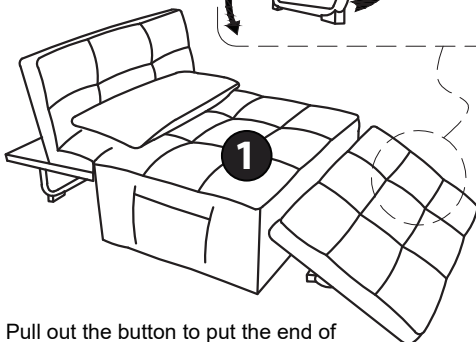
Assembly Instructions



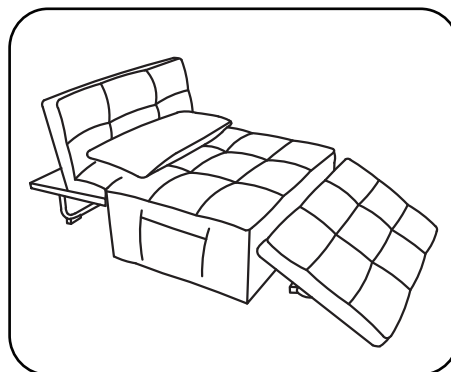
Put down the cloth and become a sleeper ottoman.



Adjustable angle of the head of ottoman.



Pull out the button to put the end of ottoman down.

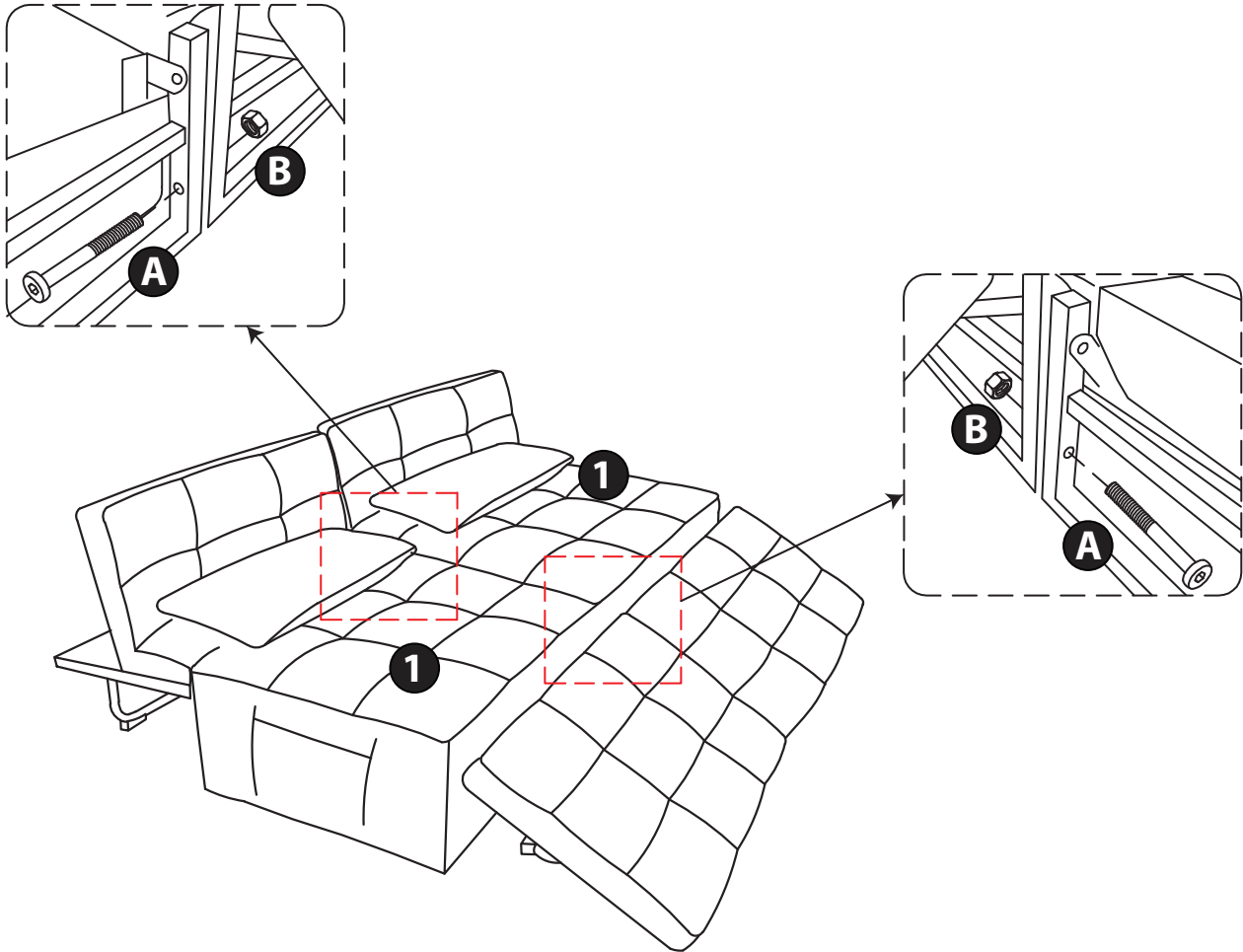


Congratulations! Setup of your new Sleeper Convertible Ottoman is Complete!
Keep these instructions for future reference.

USE AND MAINTENANCE

- Use on level surfaces only
- Because this product needs assembly, it is prone to working itself loose from time to time depending on the use. Please take the time to check that all connections are still tight and working properly for safety.
- Only clean using a damp cloth and mild detergent, do not use bleach or abrasive cleaners.

Sleeper Convertible Ottoman



Insert 1(×2) together for a Queen size with A(×2) and B(×2).

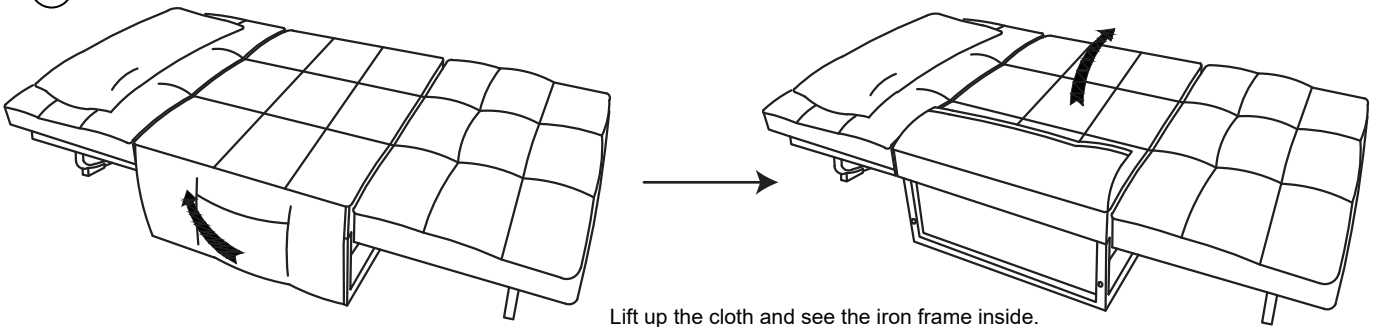
USE AND MAINTENANCE

- Use on level surfaces only
- Because this product needs assembly, it is prone to working itself loose from time to time depending on the use. Please take the time to check that all connections are still tight and working properly for safety.
- Only clean using a damp cloth and mild detergent, do not use bleach or abrasive cleaners.

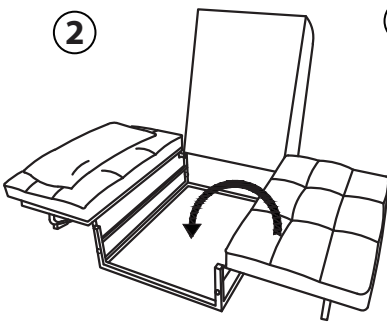
Sleeper Convertible Ottoman

How to put away

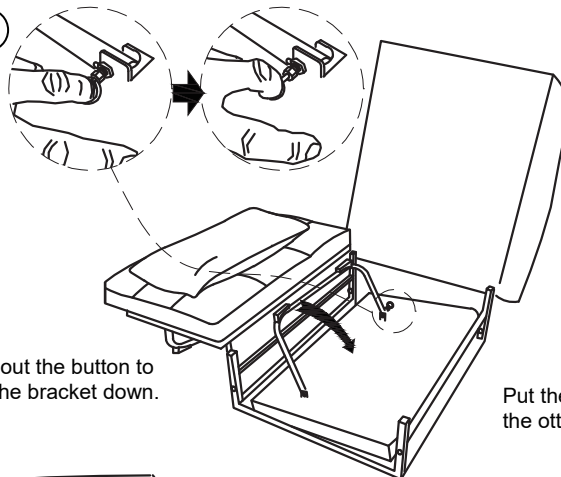
①



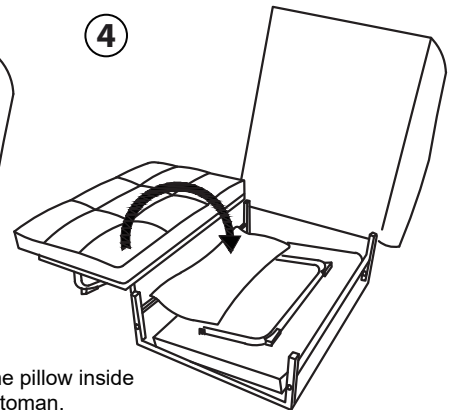
②



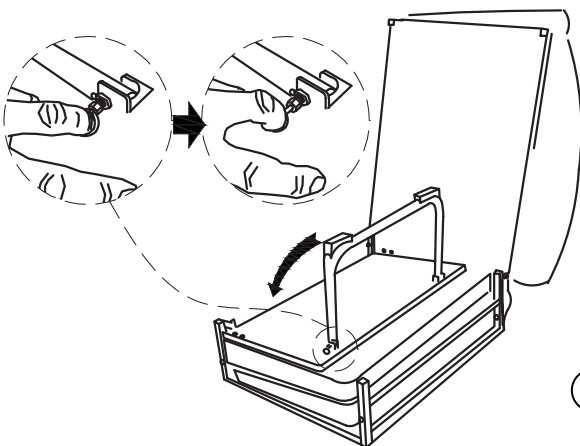
③



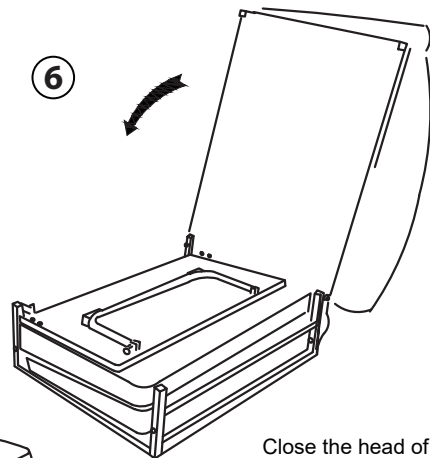
④



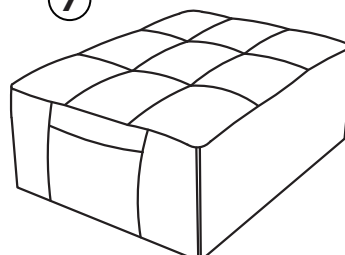
⑤



⑥

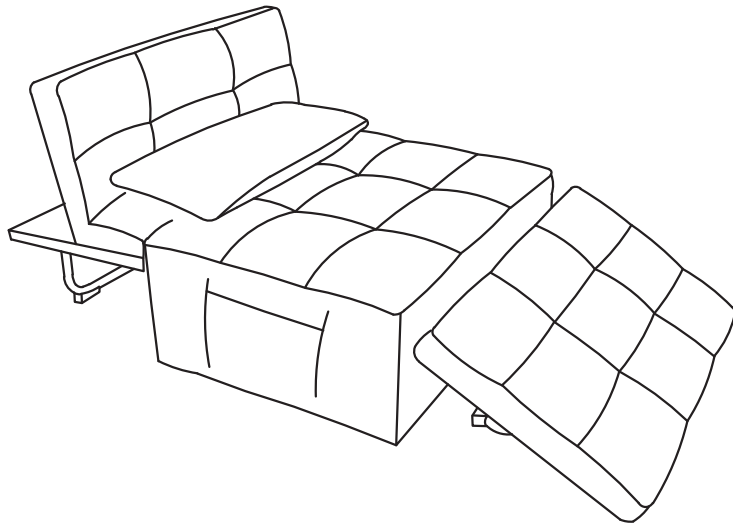


⑦



⚠️ WARNING -- CHILD CRUSH HAZARD

DO NOT ALLOW CHILD TO PLAY ON
AROUND OR UNDER FOOTREST or CHAISE.



⚠️ AMPUTATION HAZARD

Chair can fold when the child sits down and the backrest is pushed back. Moving parts can amputate child's fingers. Keep fingers away from moving parts Completely. Unfold chair and fully engage before allowing child to sit in chair. Never allow child to operate chair.

⚠️ TIP-OVER HAZARD

To prevent tip-over: Do Not Stand on the sofa recliner unit or the arms. This Motion Reclining Sofa is not a toy.

WARNING

