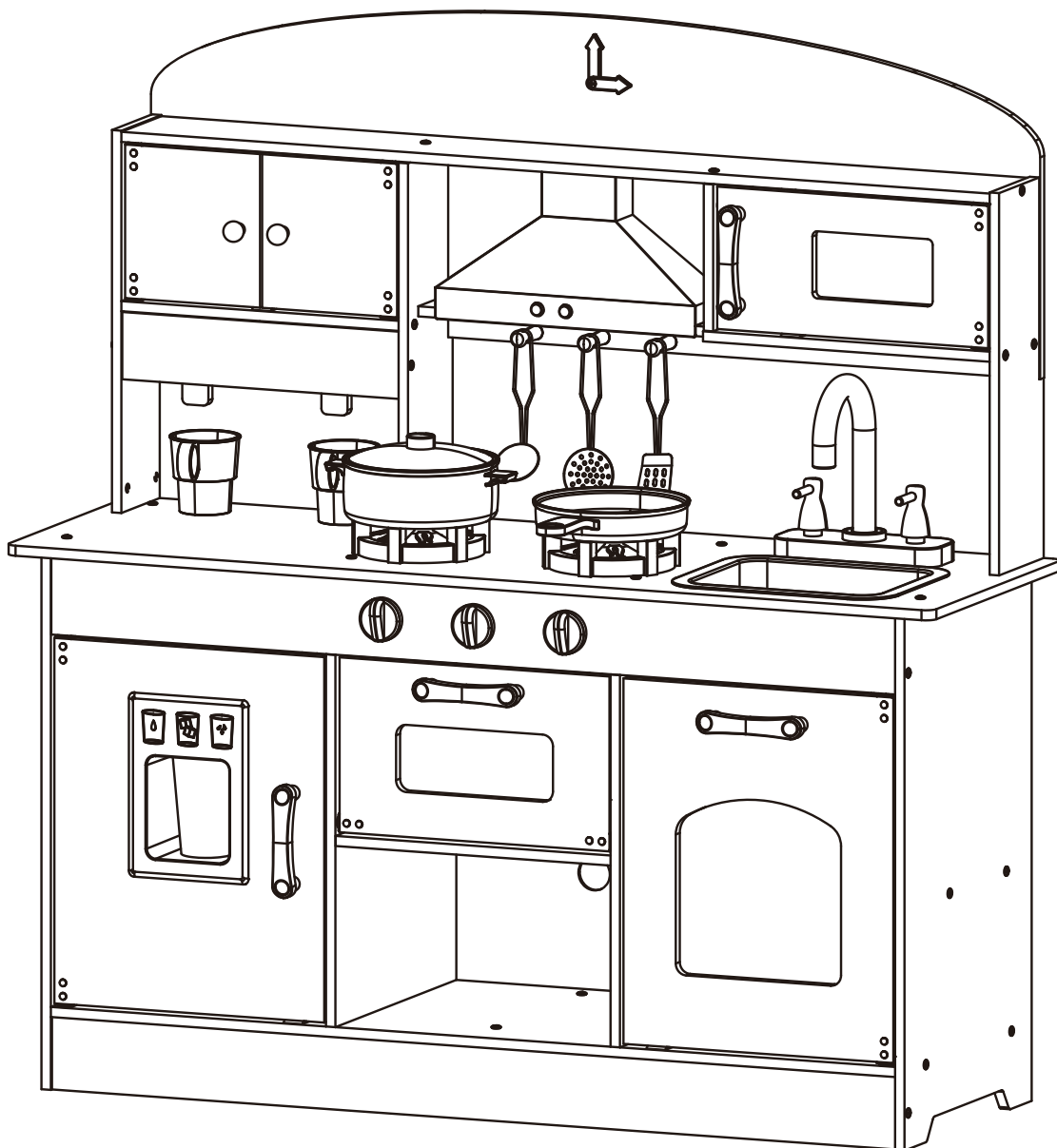


PLAY KITCHEN

Instruction manual

81055

Please scan the QR code above for installation video!



E-mail Service : babytronicus@outlook.com

Please read and keep the manual properly, it contains important information.



WARNING

ADULT ASSEMBLY REQUIRED



WARNING

CHOKING HAZARD-Small parts.

Not for children under 3 years old.

MAINTENANCE INSTRUCTIONS

1. To clean the toy, wipe it with a soft, slightly moist cloth.
2. Never use corrosive detergents, wire brushes, abrasive scourers, or metal or sharp utensils to clean the toy.
3. Regularly check that all the components and fasteners are tightened.
4. Remove the batteries before storage. Store the toy in a cold and dry place

⚠ WARNING

1. Install with this side *AWAY* from children and pets, it contains small parts. It must be assembled by adults before being handed over to children.
 2. This product is intended for indoor use only.
 3. Do not stand on or use any part of this item as a step ladder.
 4. Firmly secure all bolts, screws, and knobs before use. (Use caution not to over-tighten screws or they will not hold parts together appropriately)
 5. Do not use or store this item in the proximity of open flame or flammable/combustible chemicals.
 6. If any parts are missing, broken, damaged, or worn, stop using this item until repairs are made and/or factory replacement parts are installed.
 7. Do not use this item in a way inconsistent with the manufacturer's instructions as this could void the product warranty.
 8. **MAKE SURE** the surface of the product is dry and free of foreign objects
- AGE RANGE: 3 years old and up

BATTERY WARNINGS



DANGER Risk of explosion!

Risk of explosion if the battery is replaced by an incorrect type.

Please strictly observe the following use warnings, misuse or abuse may result in leakage, rupture, or fire, and may cause personal injury.

- Do not mix old and new batteries.
- Do not mix different types of batteries.
- Insert batteries with the correct polarity.
- Remove exhausted batteries from the toy.
- Follow the battery manufacturer's warnings and recommendations.
- Never attempt to recharge primary batteries.
- Never short circuit batteries as this may lead to high temperatures, leakage, or rupture.
- Never heat batteries to revive them.
- Remember to switch off the toy after use.
- Never attempt to disassemble, crush, puncture, or open batteries.
- Keep batteries out of the reach of children, especially small batteries that could be easily ingested.
- Clean the battery contacts and also those of the device before battery installation.
- Remove batteries from the toy that is not to be used for an extended period. Remove used batteries promptly.

BEFORE FIRST USE



DANGER Risk of suffocation!

Keep any packaging materials away from children and pets-these materials are a potential source of danger, e.g. suffocation.

- Remove all the packing materials.
- Remove and review all components before starting assembly.
- Check the toy for transport damages.

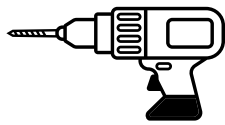
⚠ ATTENTION

- This page lists the contents included in the box. Please take time to identify the hardware as well as the individual components of the product.
- As you unpack and prepare for assembly, place the contents on a carpeted or padded area to protect them from damage.
- Please follow the assembly instructions closely. Improper assembly can result in personal or property damage

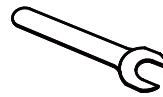
TOOLS REQUIRED



SCREWDRIVER



DRILL



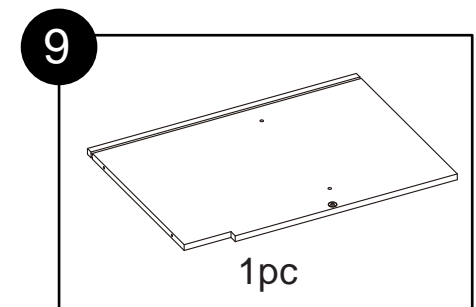
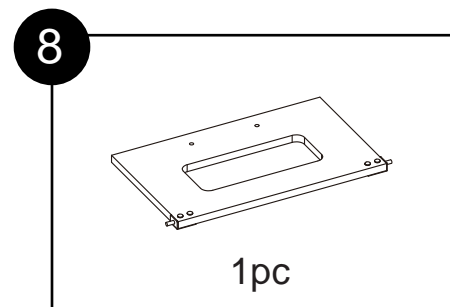
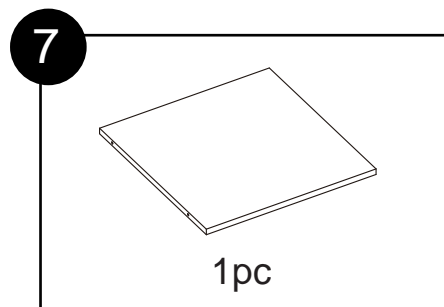
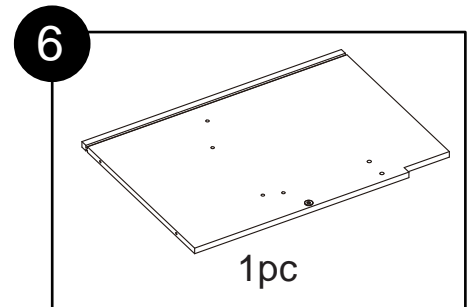
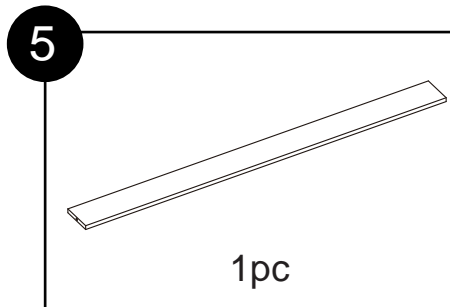
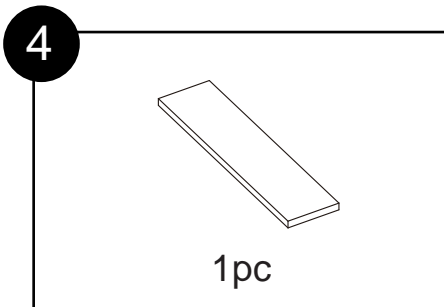
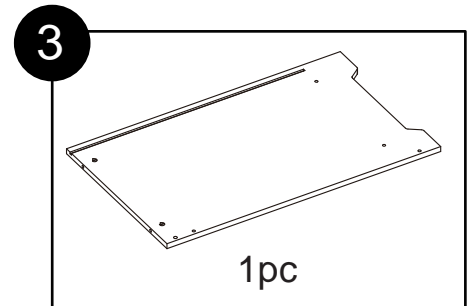
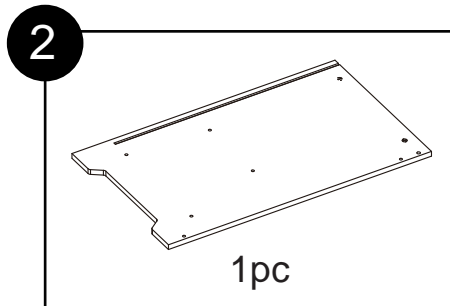
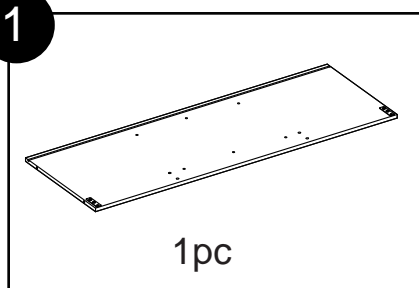
WRENCH



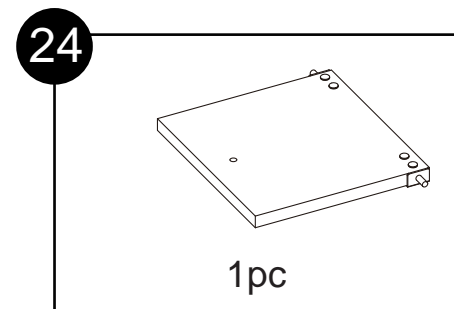
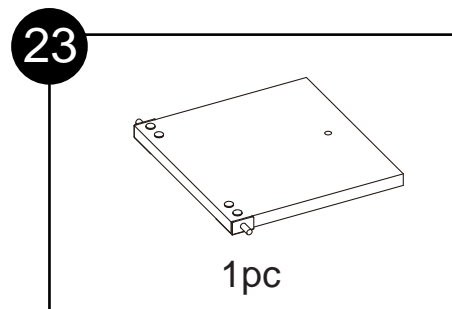
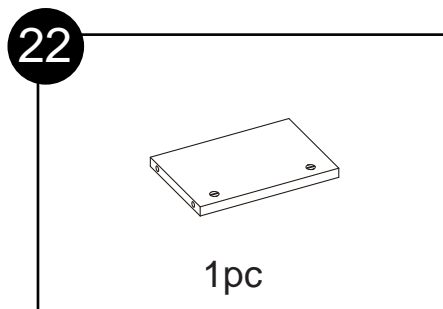
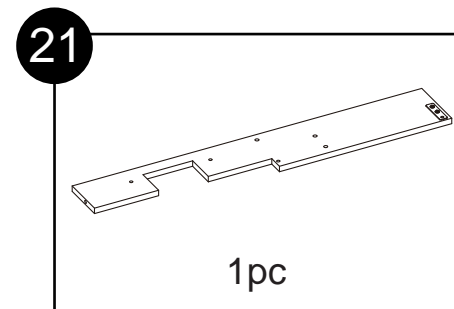
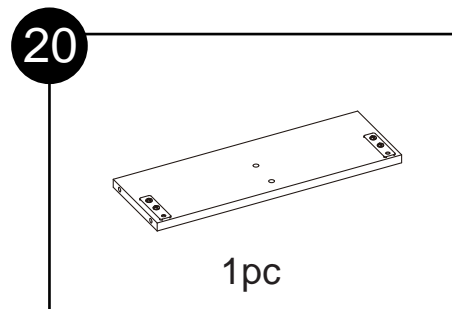
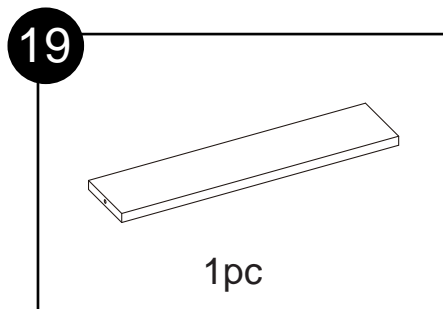
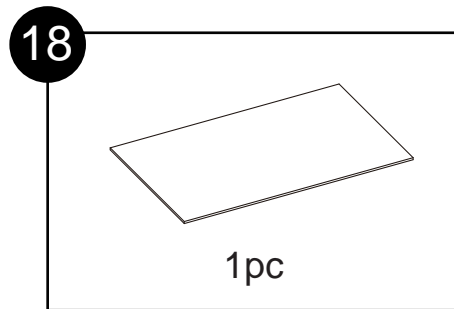
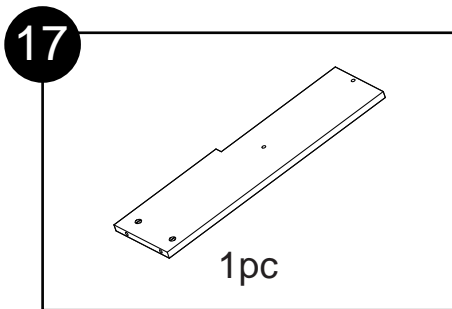
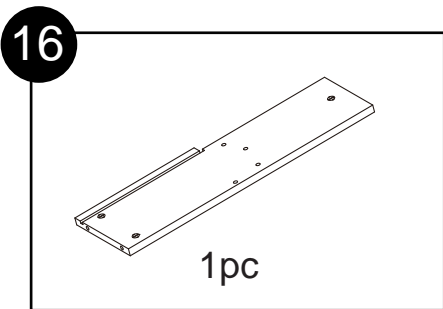
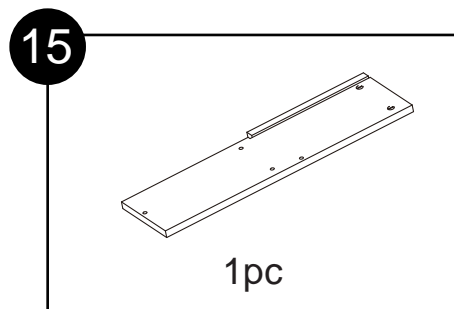
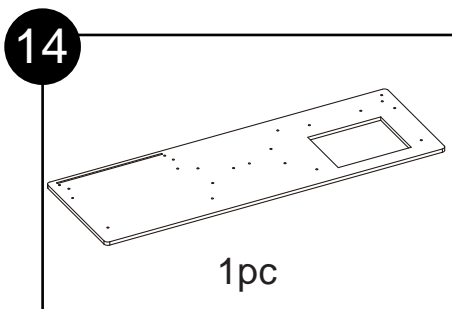
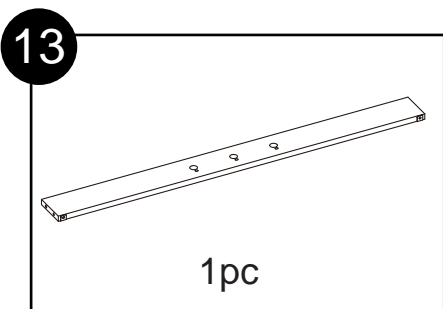
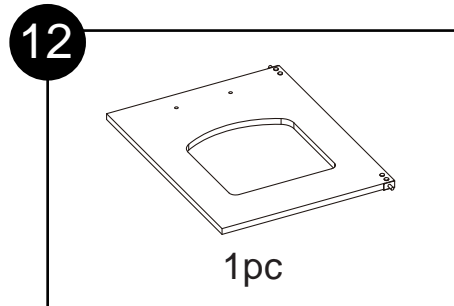
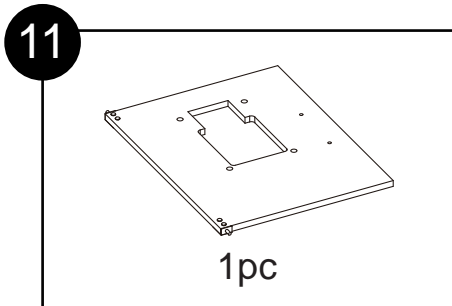
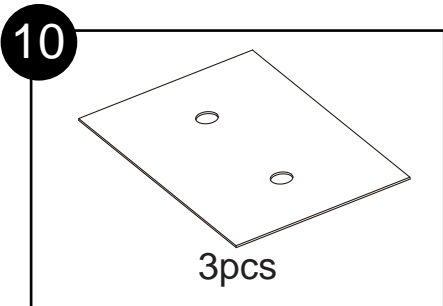
HEXAGONAL WRENCH

(Included in the package)

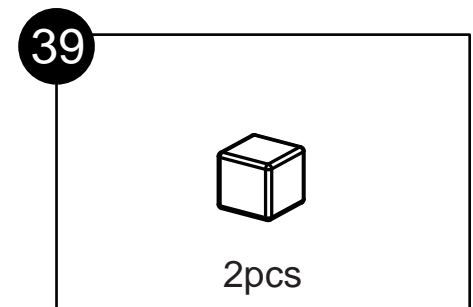
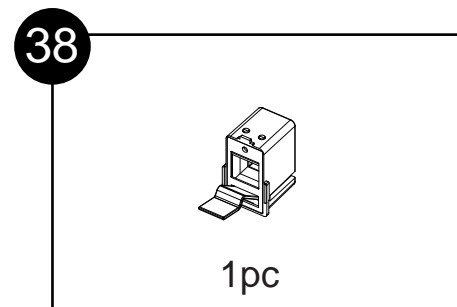
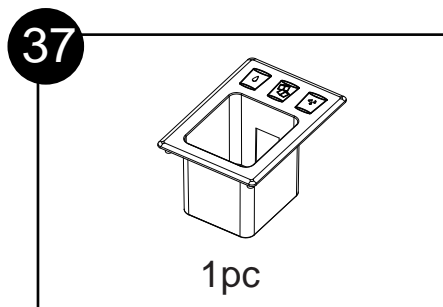
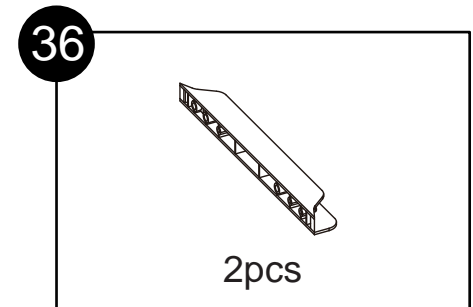
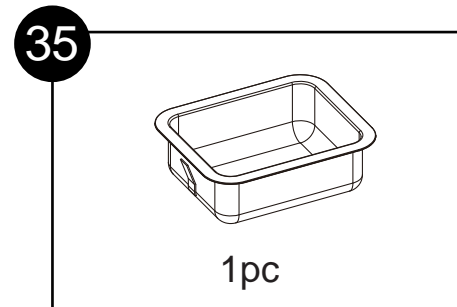
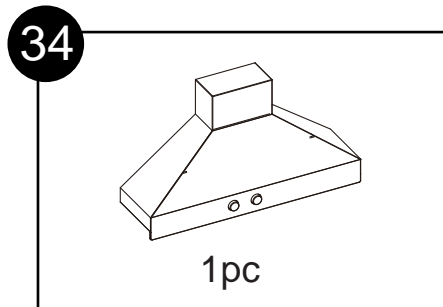
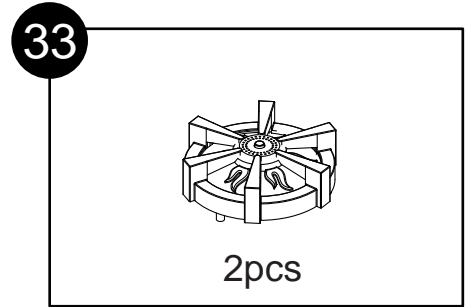
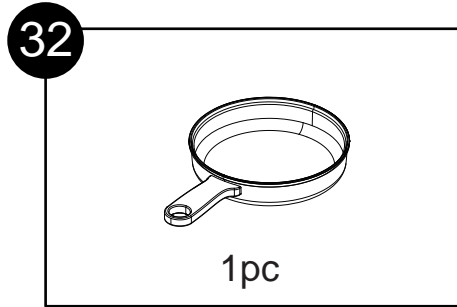
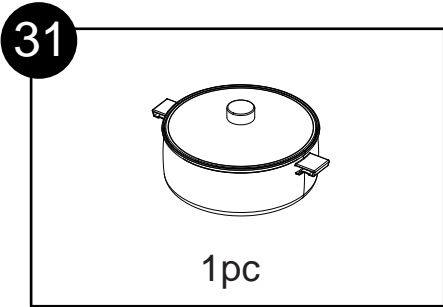
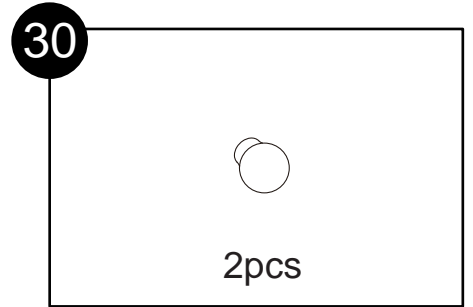
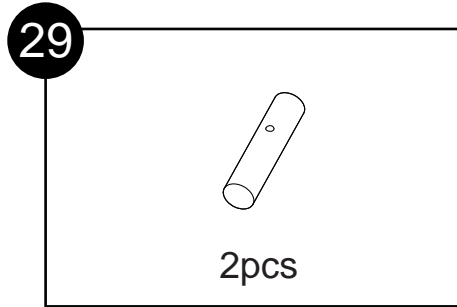
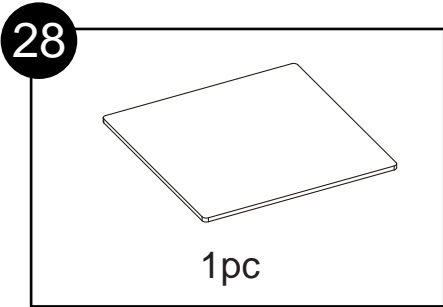
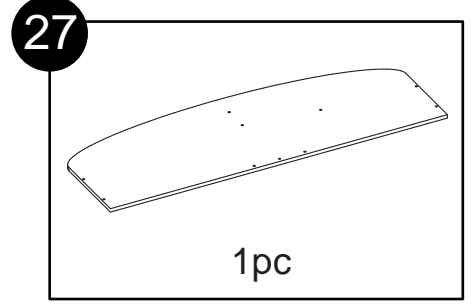
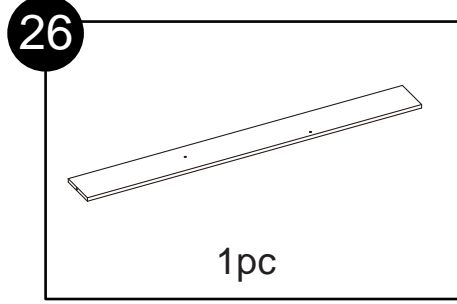
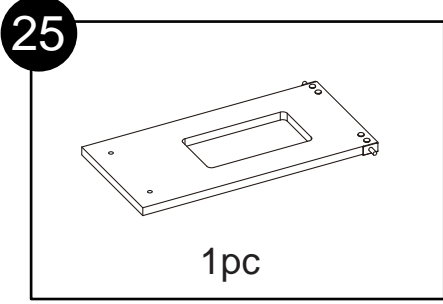
PARTS



PARTS




PARTS




PARTS

40




3pcs

41



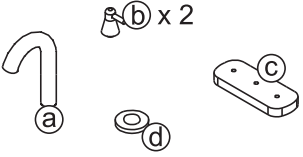
3pcs

42



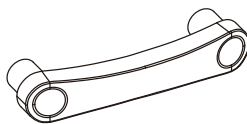
3pcs

43




1pc

44




4pcs

45



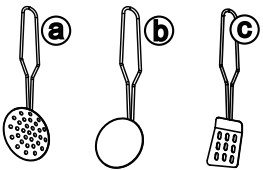
1pc

46




2pcs

47



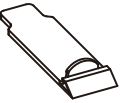
1set

48




3pcs

49




5pcs

50



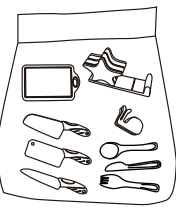
1pc

51




1pc

52



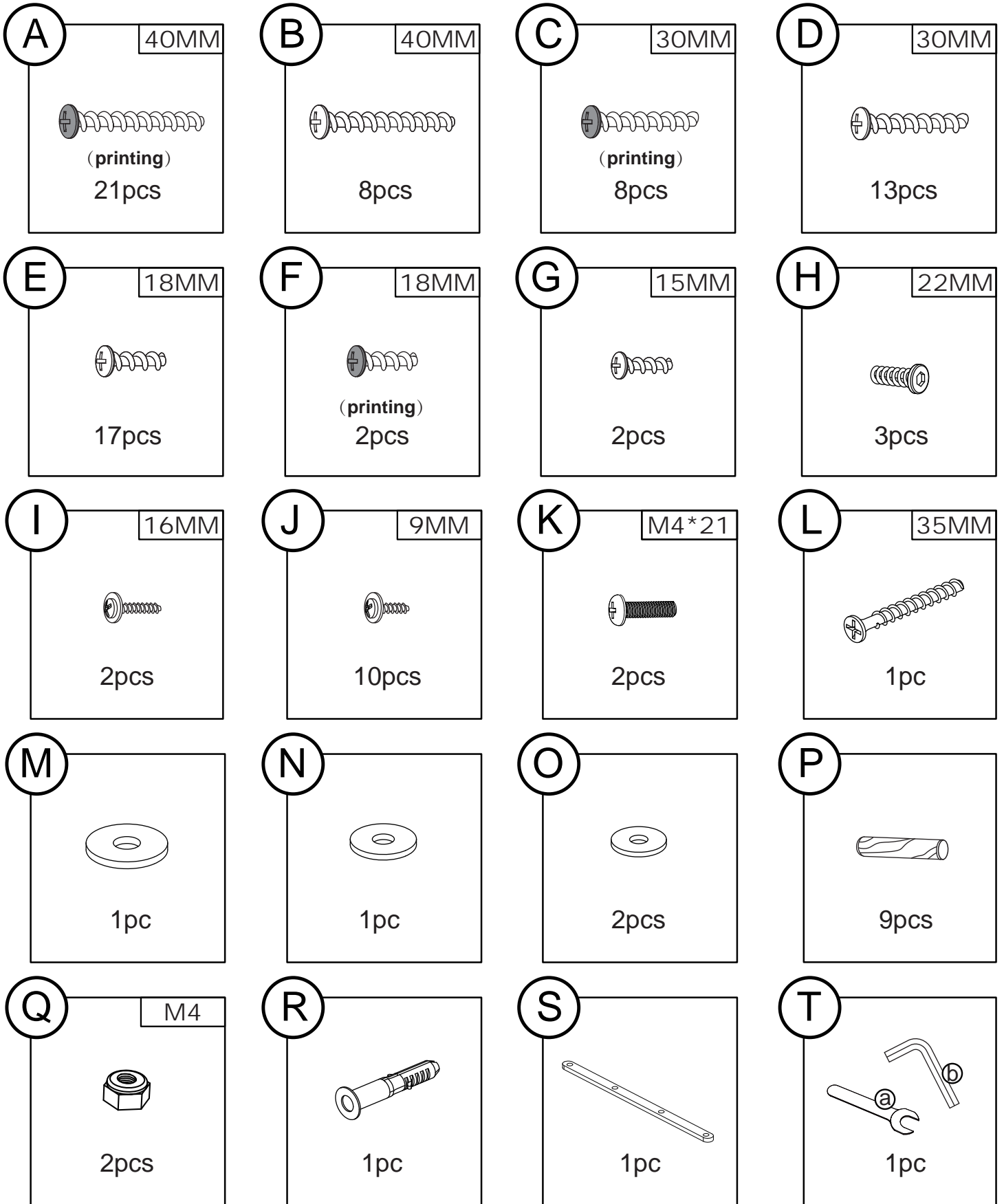
9pcs

53



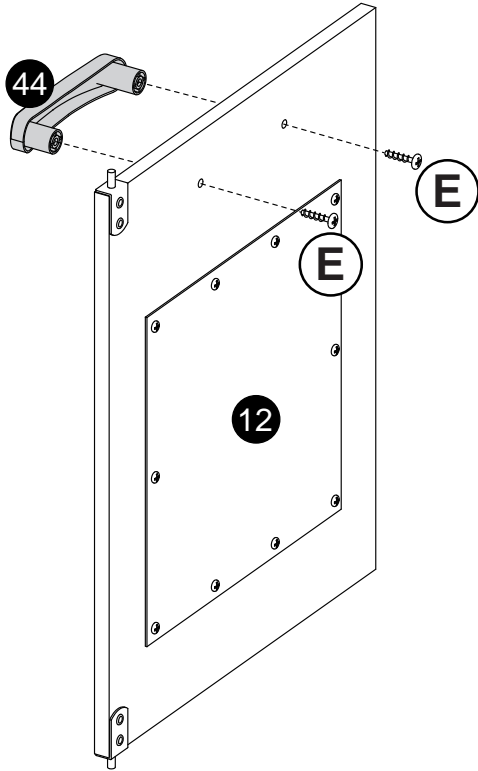
14pcs


HARDWARE

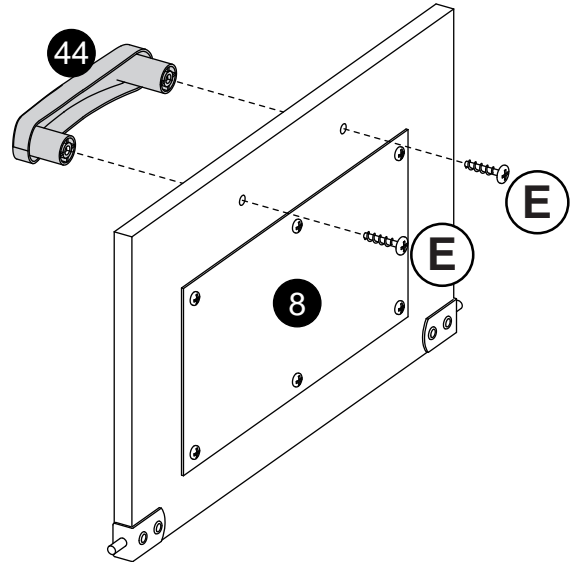




INSTALLATION STEPS

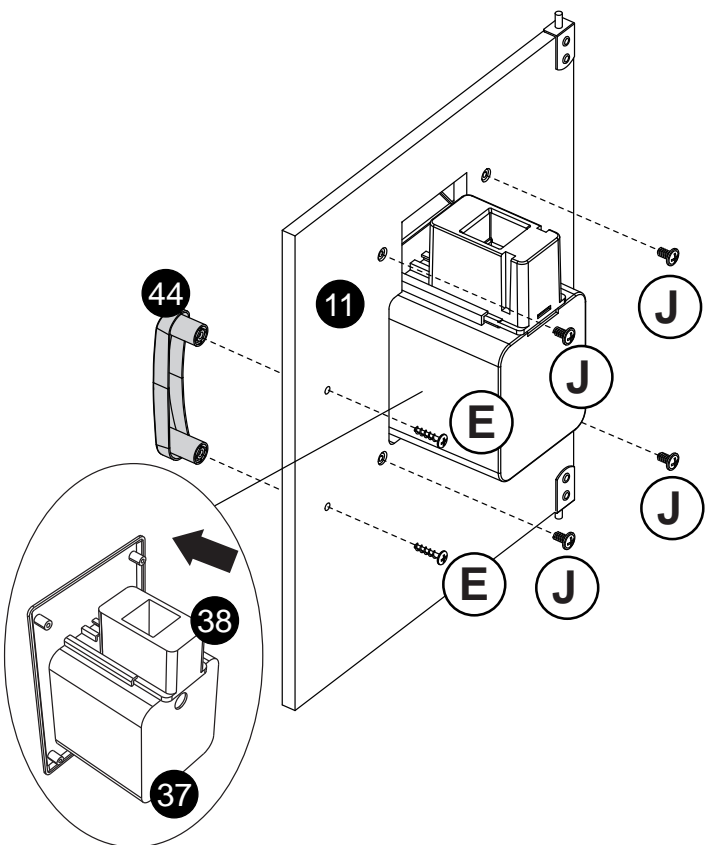
STEP 1  **(E) X2**



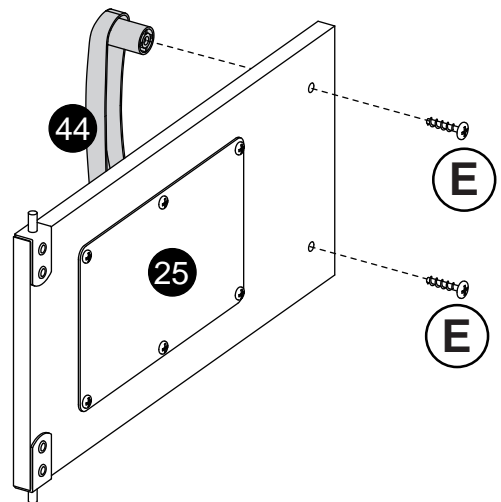
STEP 2  **(E) X2**



STEP 3  **(E) X2**  **(J) X4**

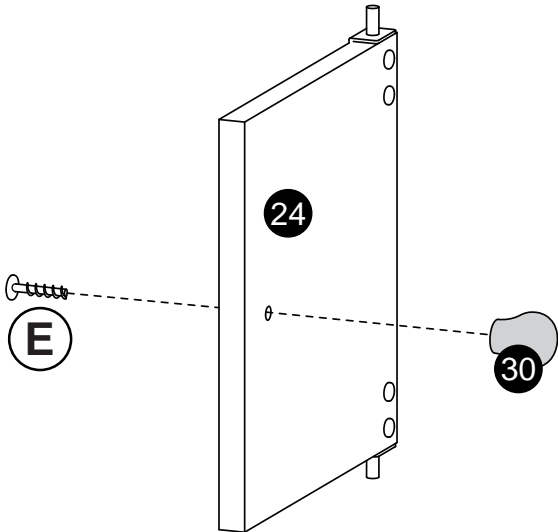


STEP 4  **(E) X2**

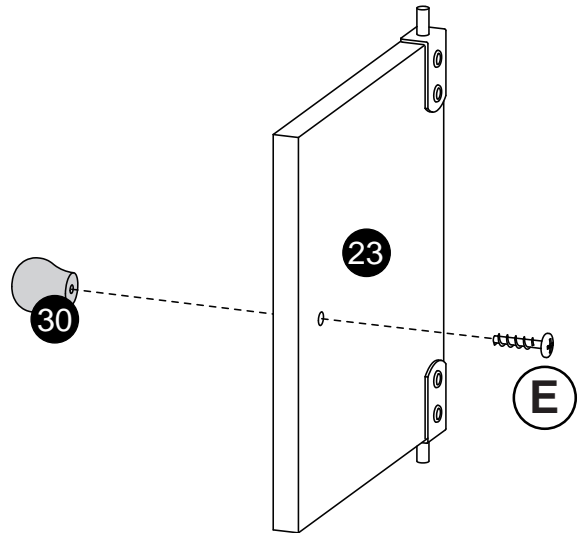


INSTALLATION STEPS

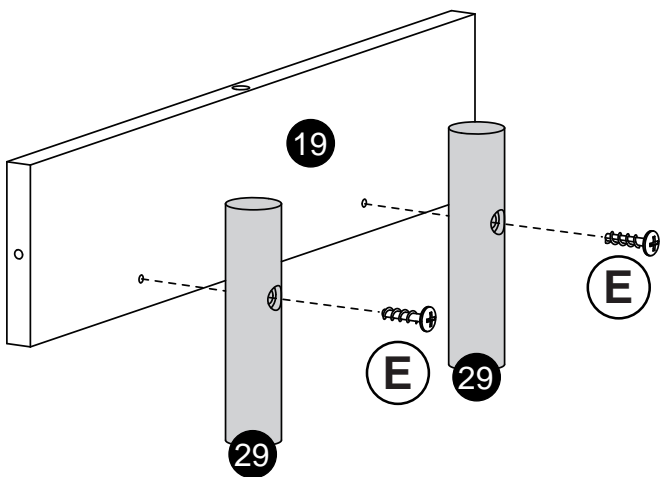
STEP 5  (E) X1



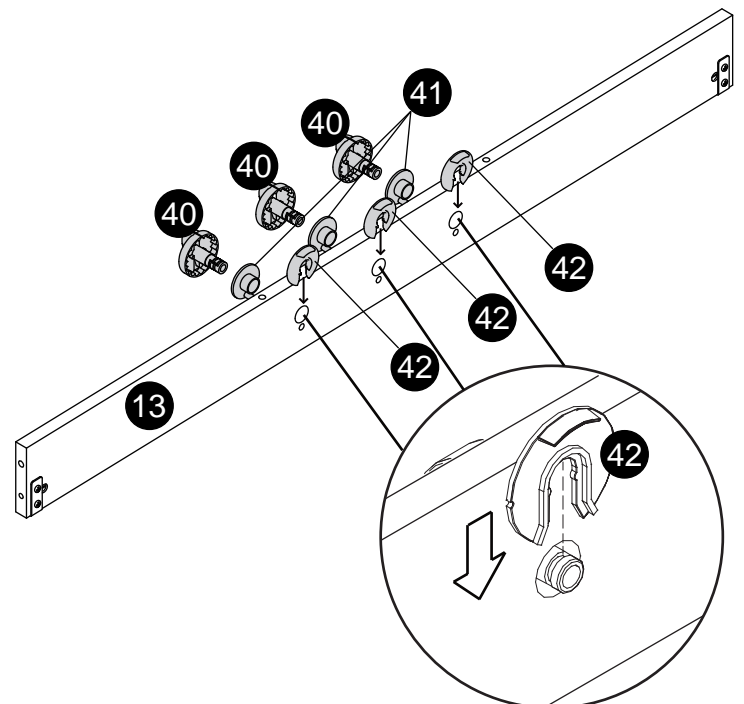
STEP 6  (E) X1



STEP 7  (E) X2






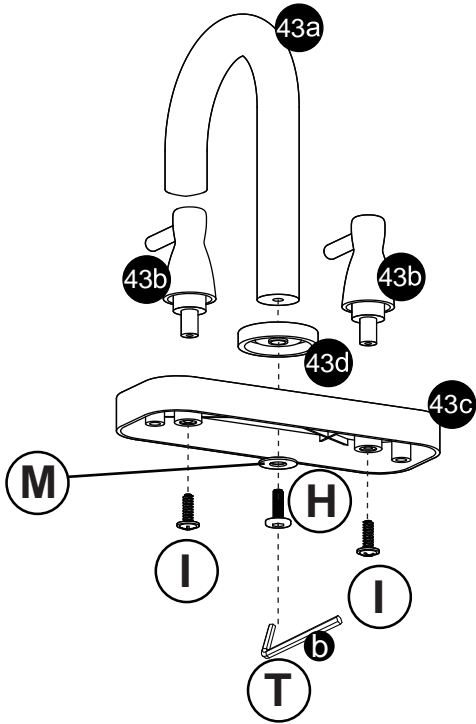
STEP 8





INSTALLATION STEPS

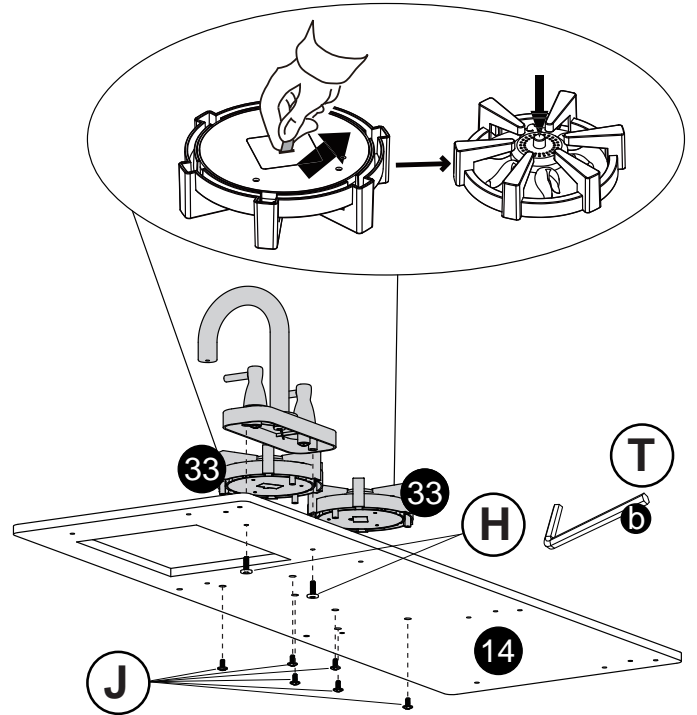
STEP 9

 X1
  X1
  X2






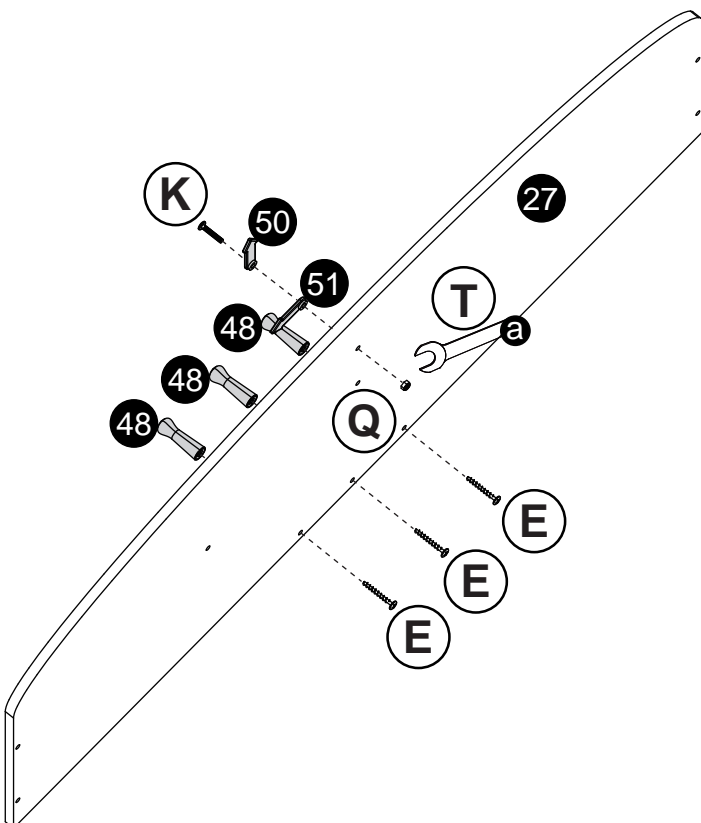
STEP 10

 X2
  X6



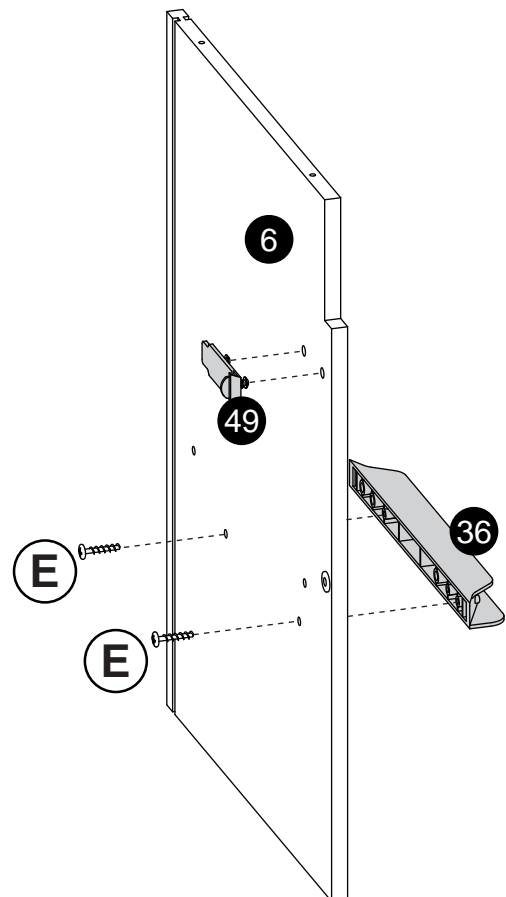
STEP 11


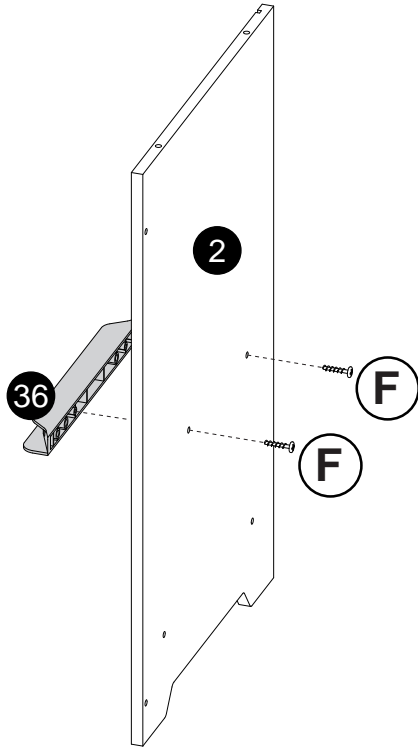
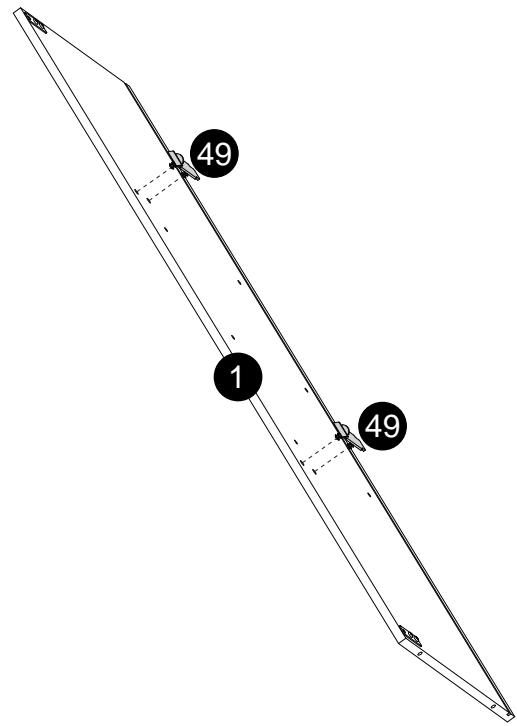
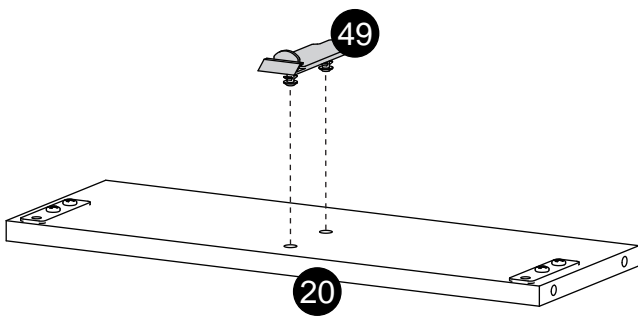
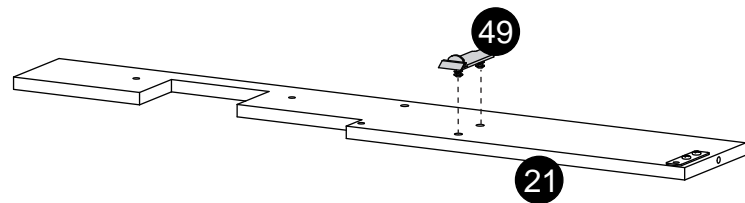
 X1
  X3
  X1



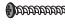
STEP 12

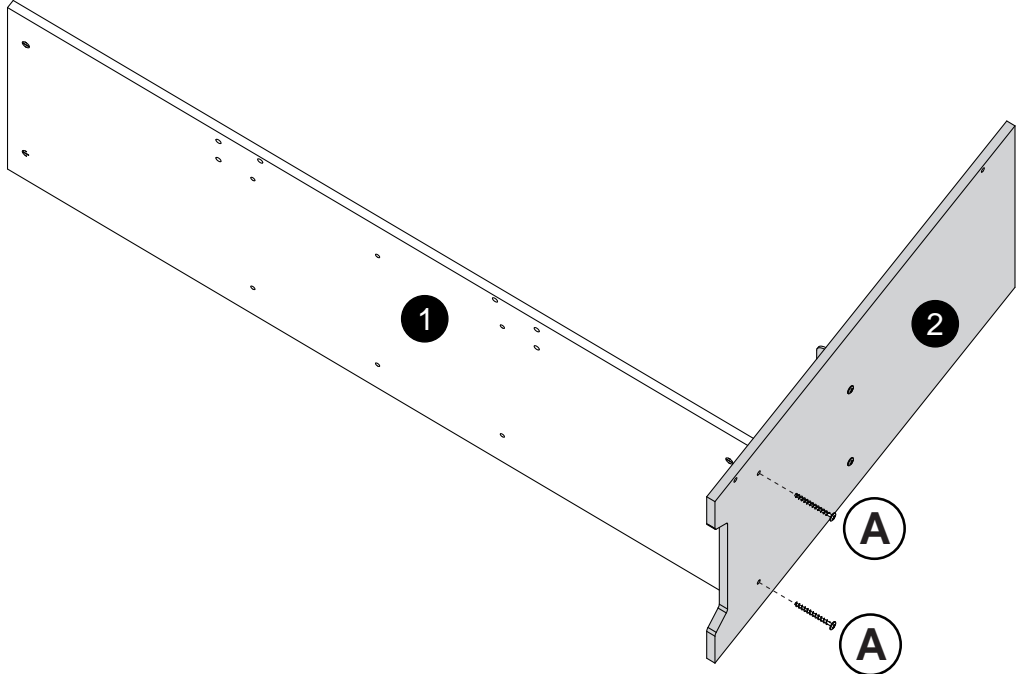
 X2




INSTALLATION STEPS**STEP 13**
(F) X2 (printing)**STEP 14****STEP 15****STEP 16**

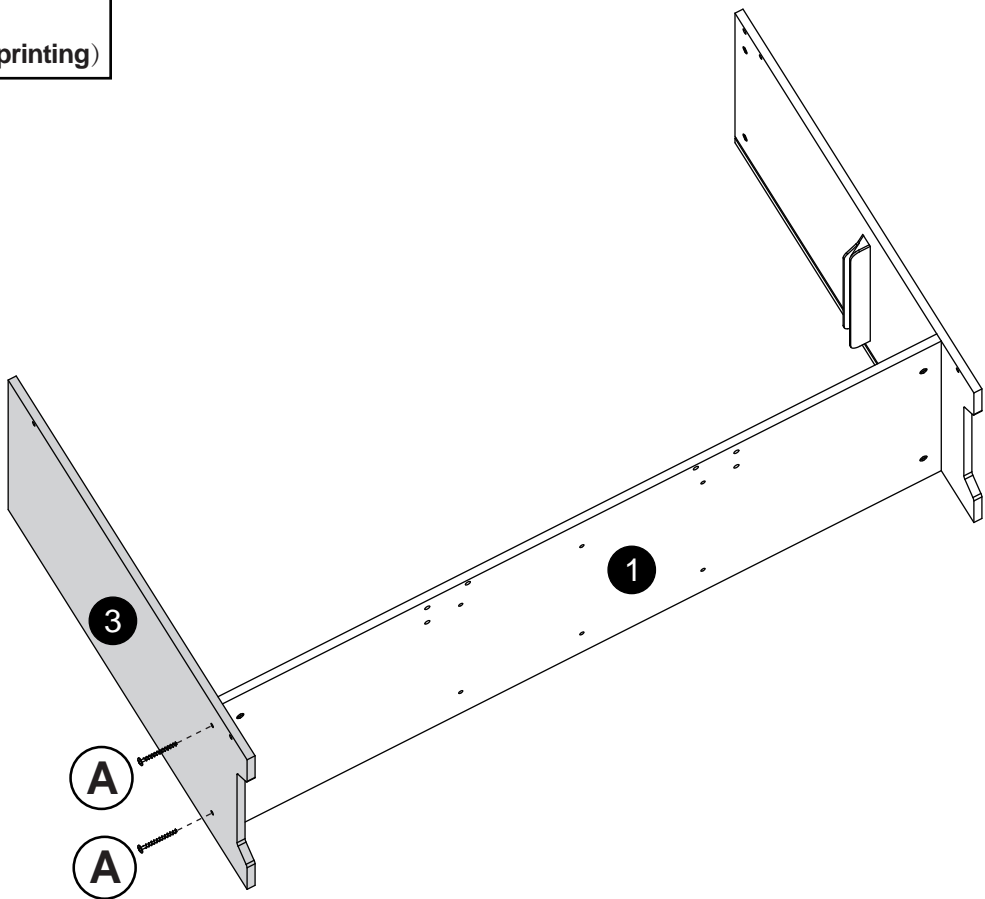
INSTALLATION STEPS

STEP 17  **(A) X2 (printing)**

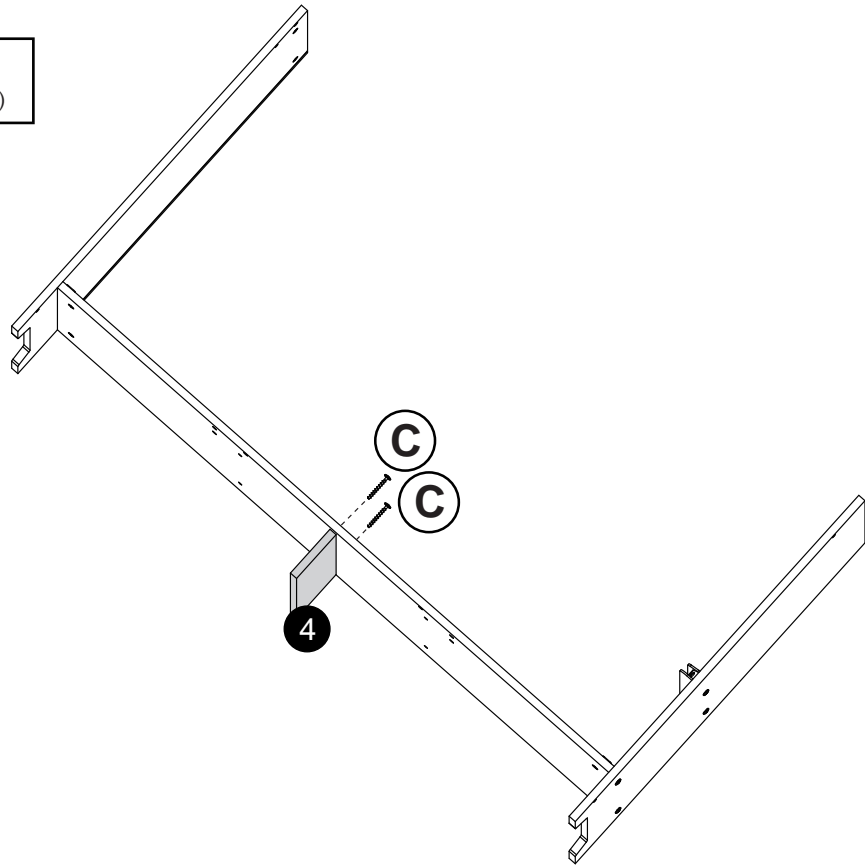


(Choose the screw A color based on the board color)

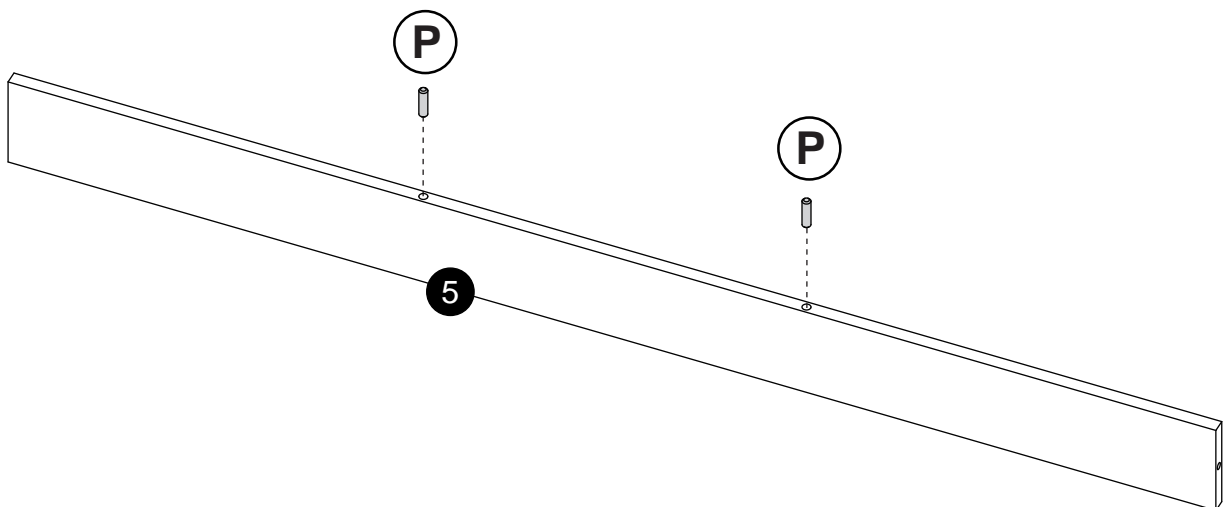
STEP 18  **(A) X2 (printing)**

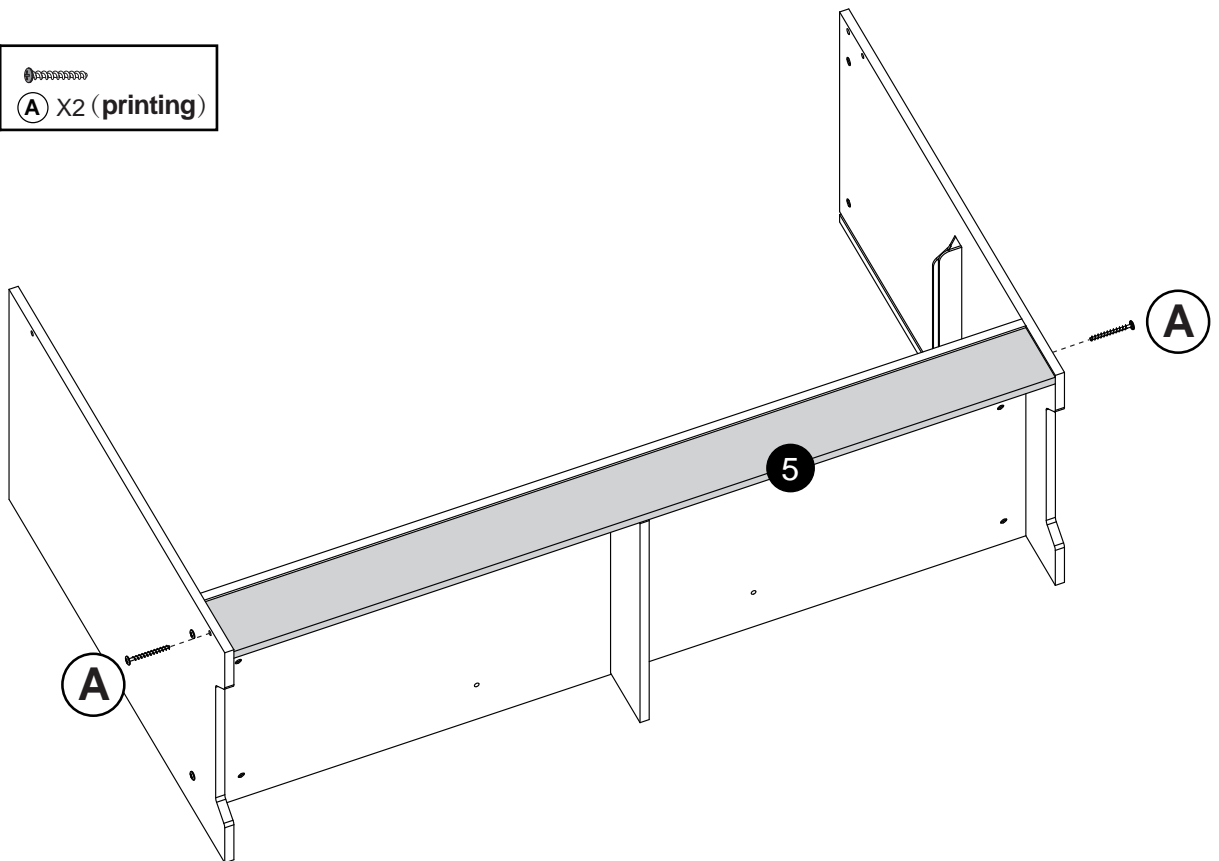


(Choose the screw A color based on the board color)

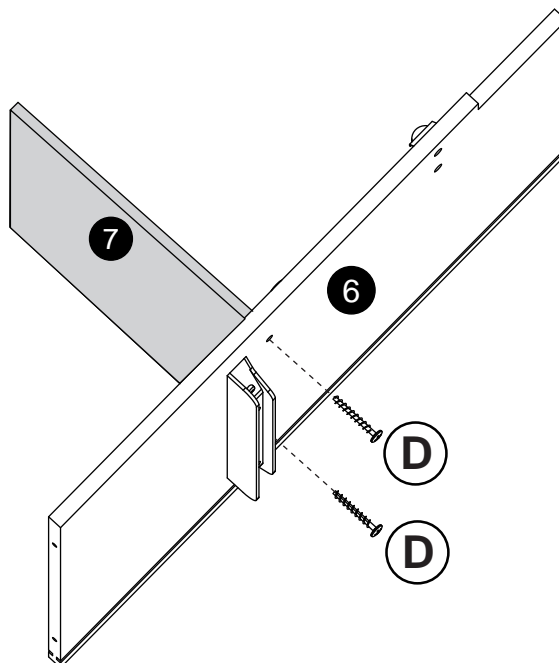
INSTALLATION STEPS**STEP 19**
C X2 (printing)

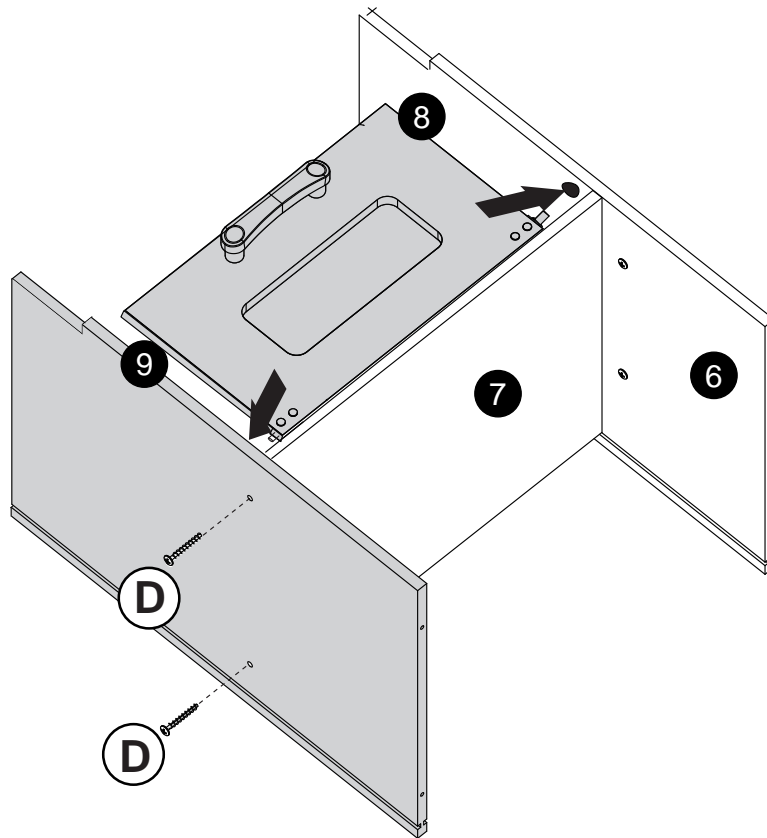
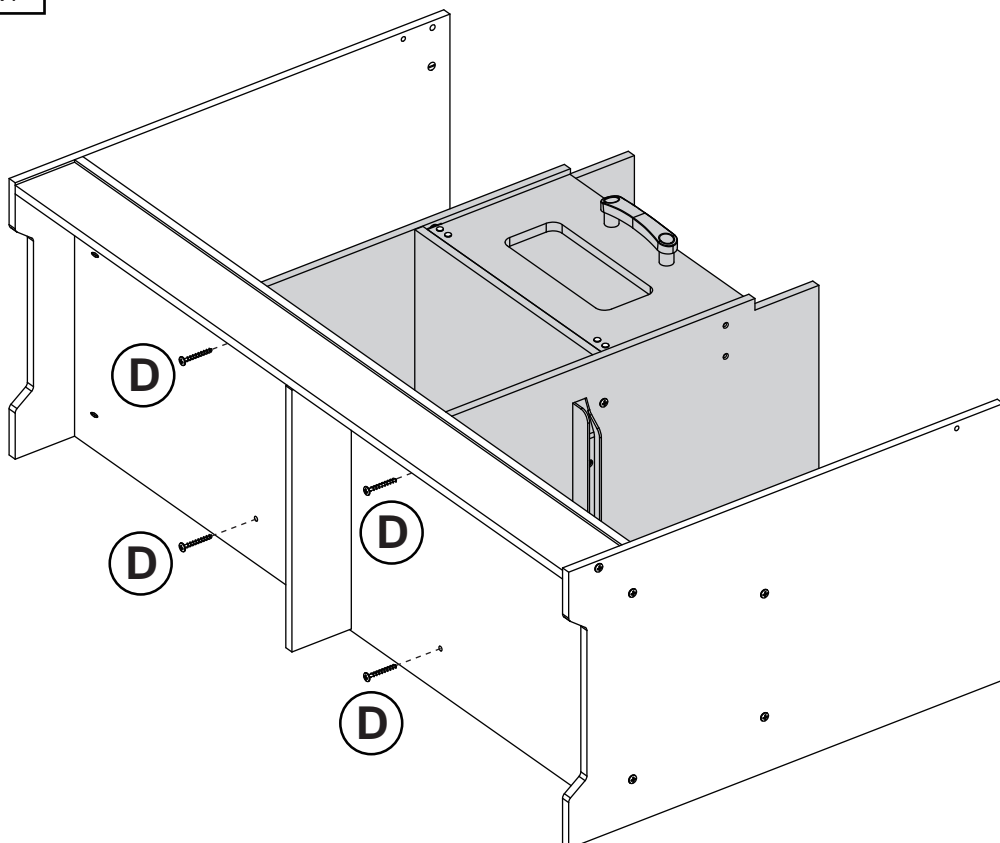
(Choose the screw C color based on the board color)

STEP 20
P X2

INSTALLATION STEPS**STEP 21**
A X2 (printing)

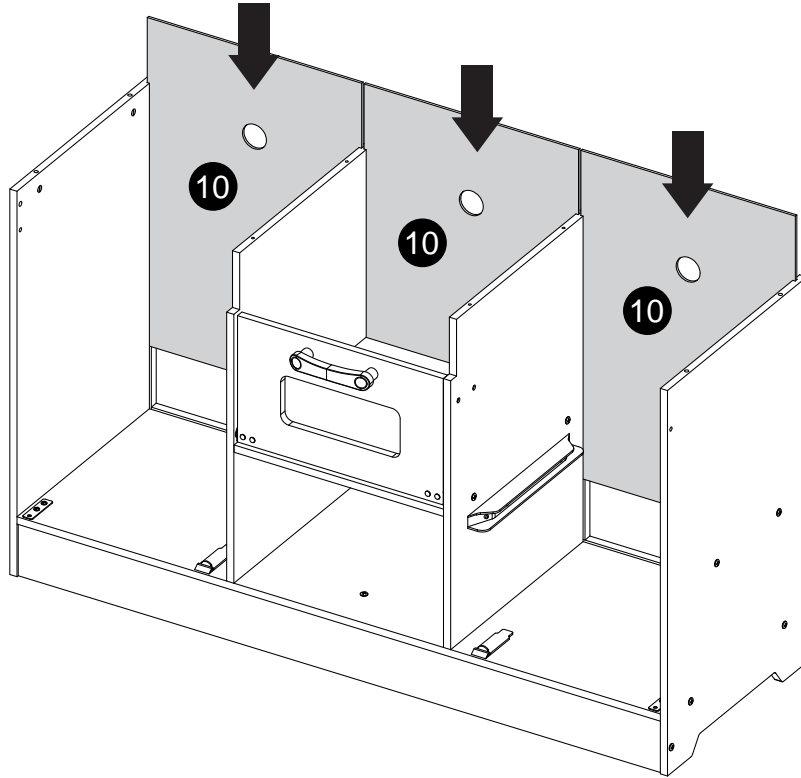
(Choose the screw A color based on the board color)

STEP 22
D X2

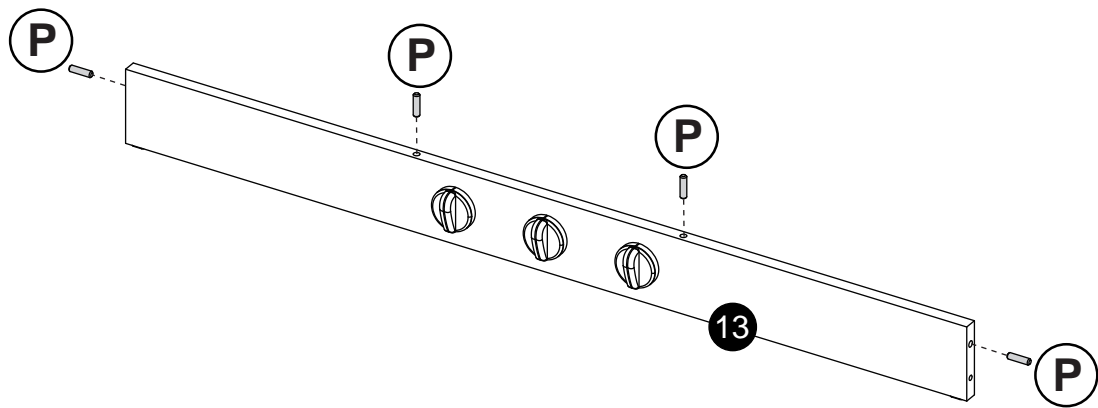
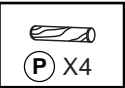
INSTALLATION STEPS**STEP 23**
D X2**STEP 24**
D X4

INSTALLATION STEPS

STEP 25



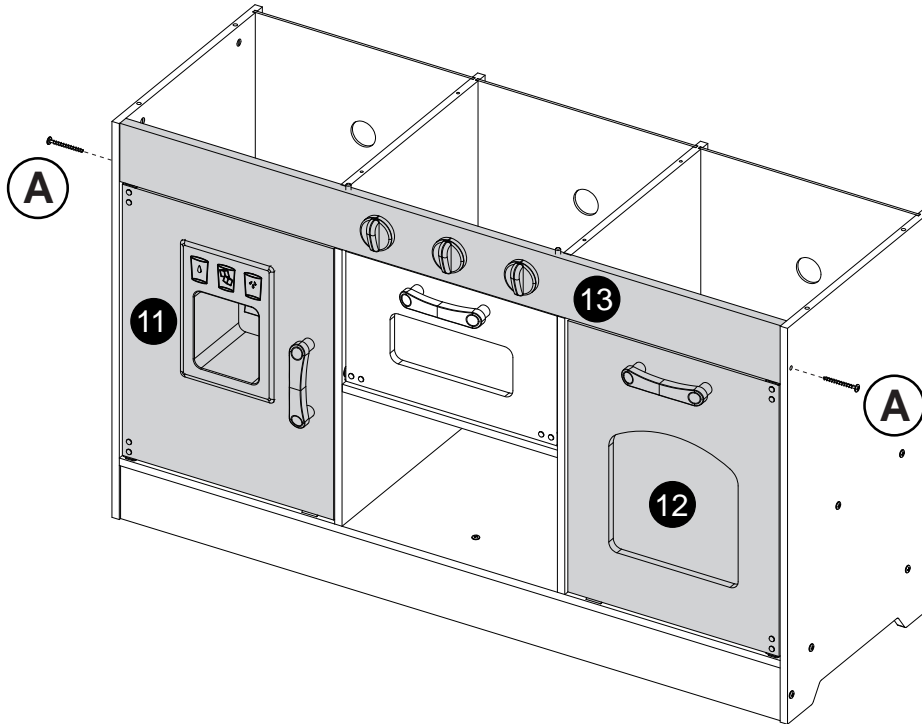
STEP 26



INSTALLATION STEPS

STEP 27

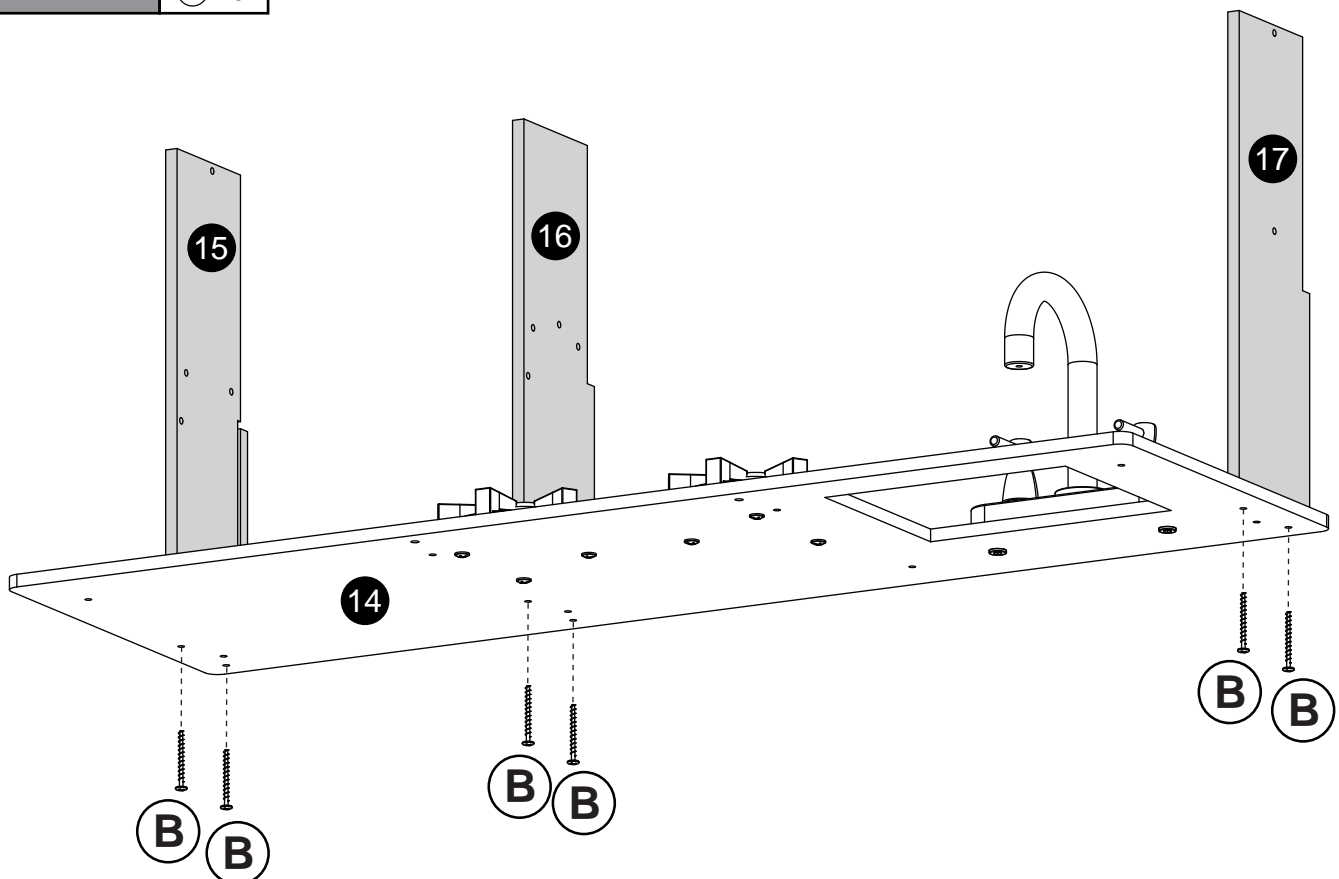
 **(A)** X2 (printing)



(Choose the screw A, C color based on the board color)

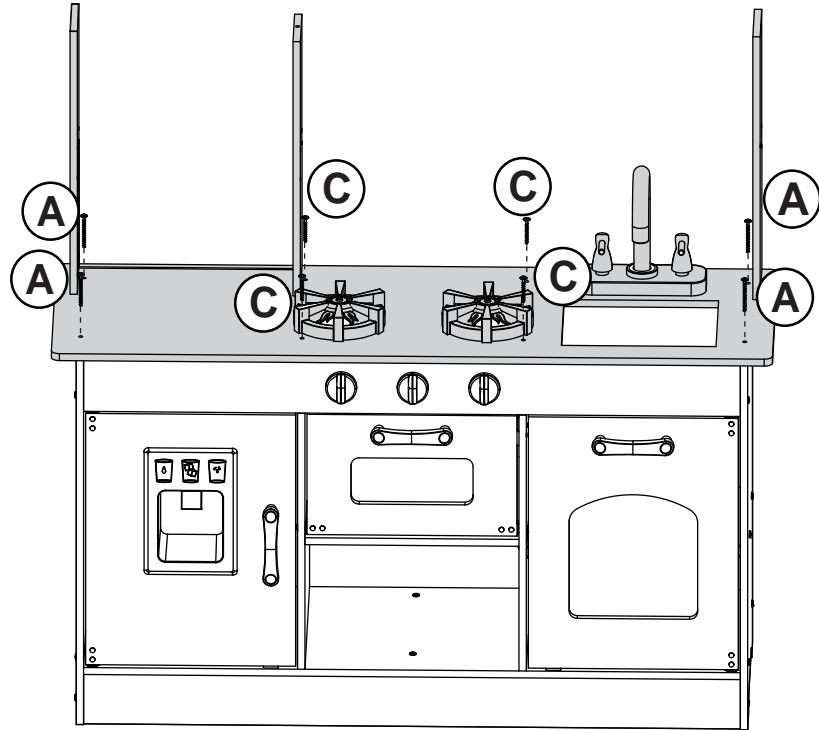
STEP 28

 **(B)** X6



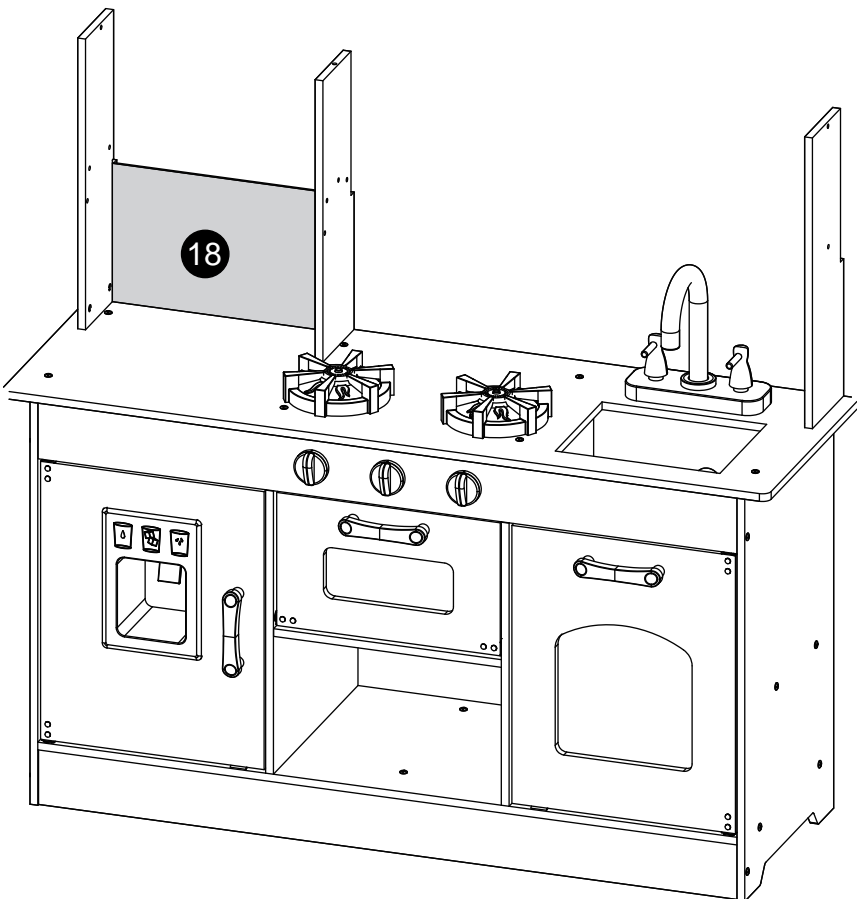
INSTALLATION STEPS

STEP 29  
A X4 (printing) **C** X4 (printing)



(Choose the screw A, C color based on the board color)

STEP 30

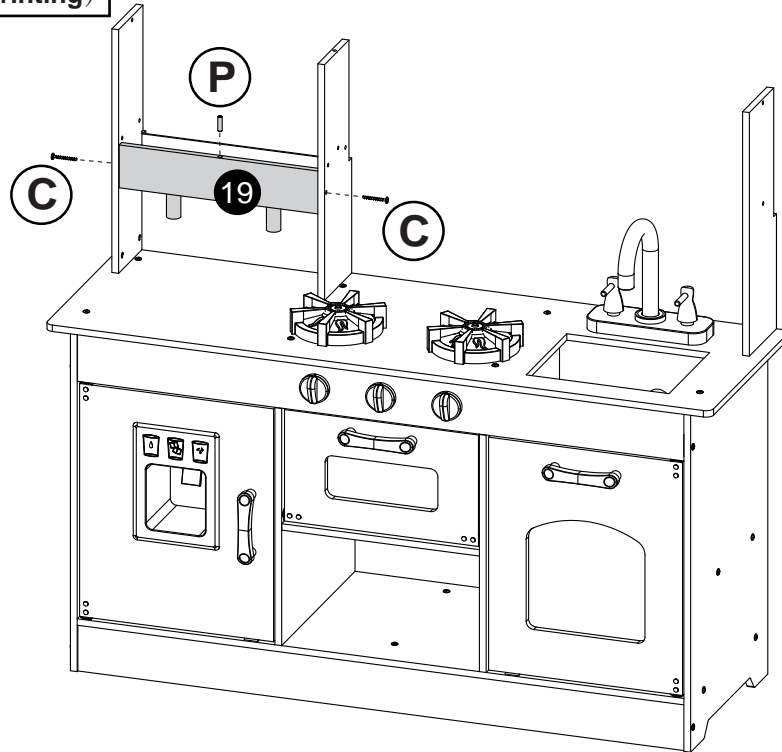


INSTALLATION STEPS

STEP 31



(P) X1 (C) X2 (printing)

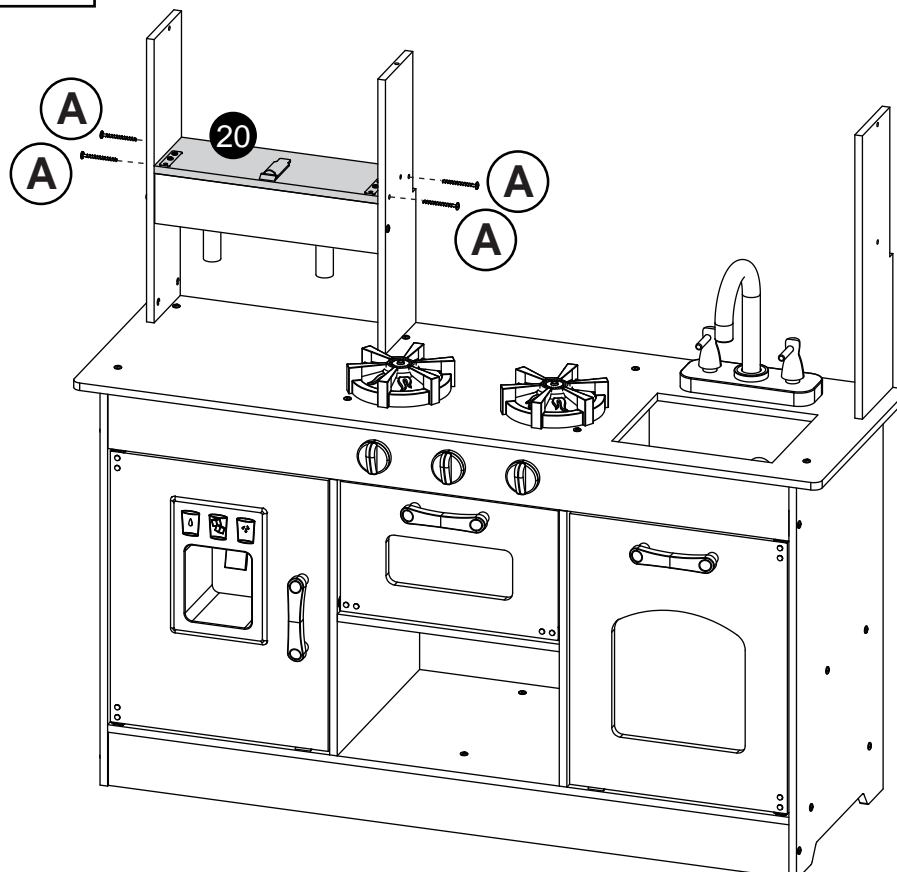


(Choose the screw C color based on the board color)

STEP 32




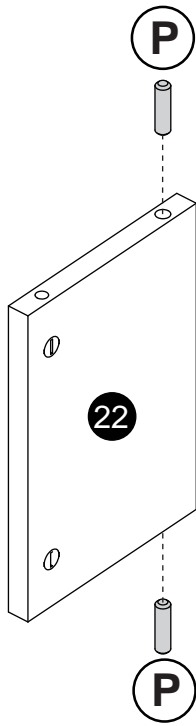
(A) X4 (printing)



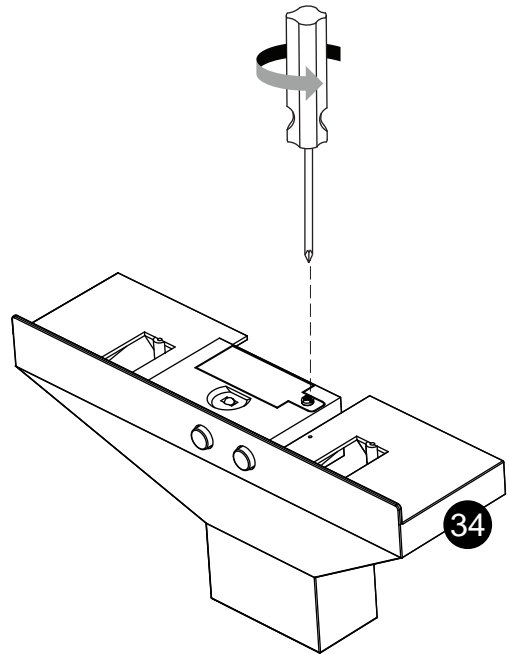
(Choose the screw A color based on the board color)

INSTALLATION STEPS

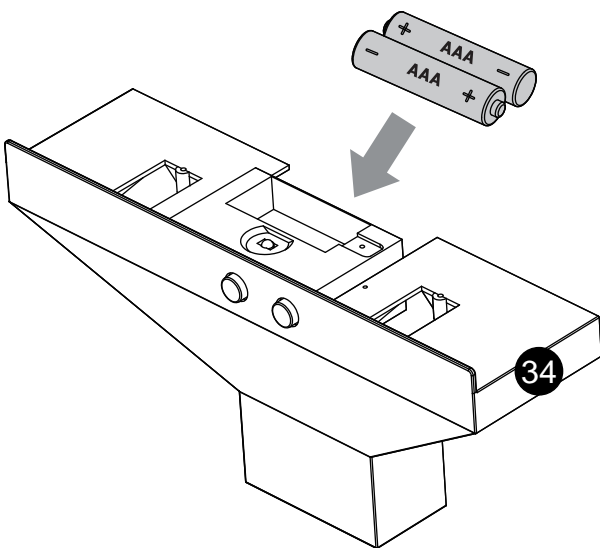
STEP 33  **P X2**



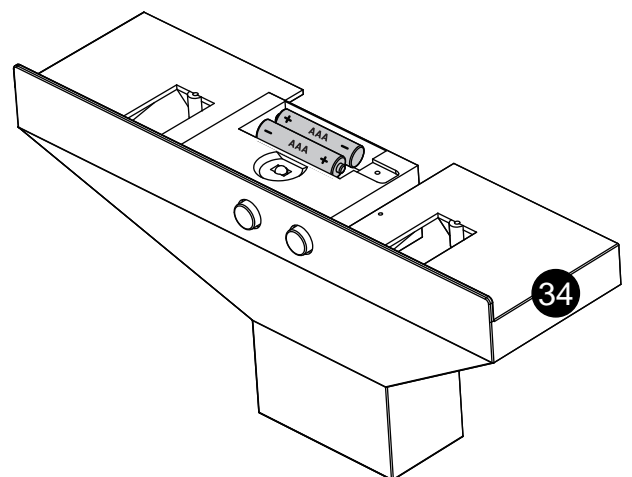
STEP 34



STEP 35



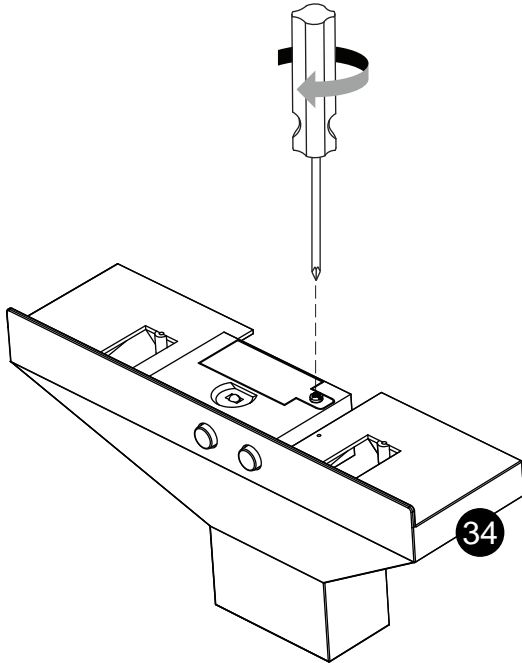
STEP 36



(Batteries are not included in the package)

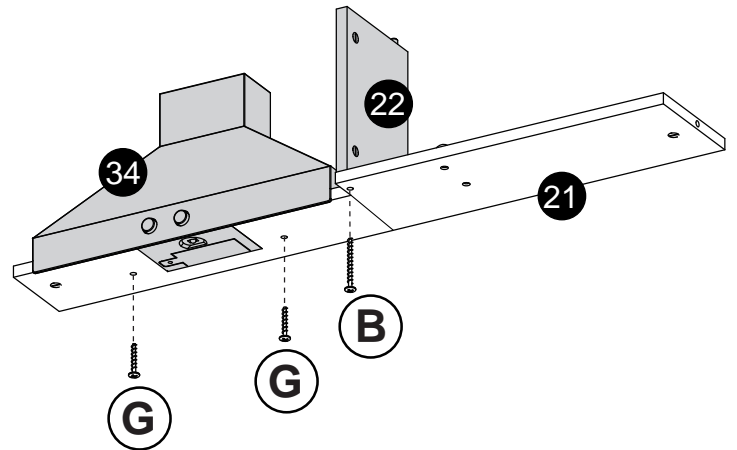
INSTALLATION STEPS

STEP 37


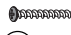


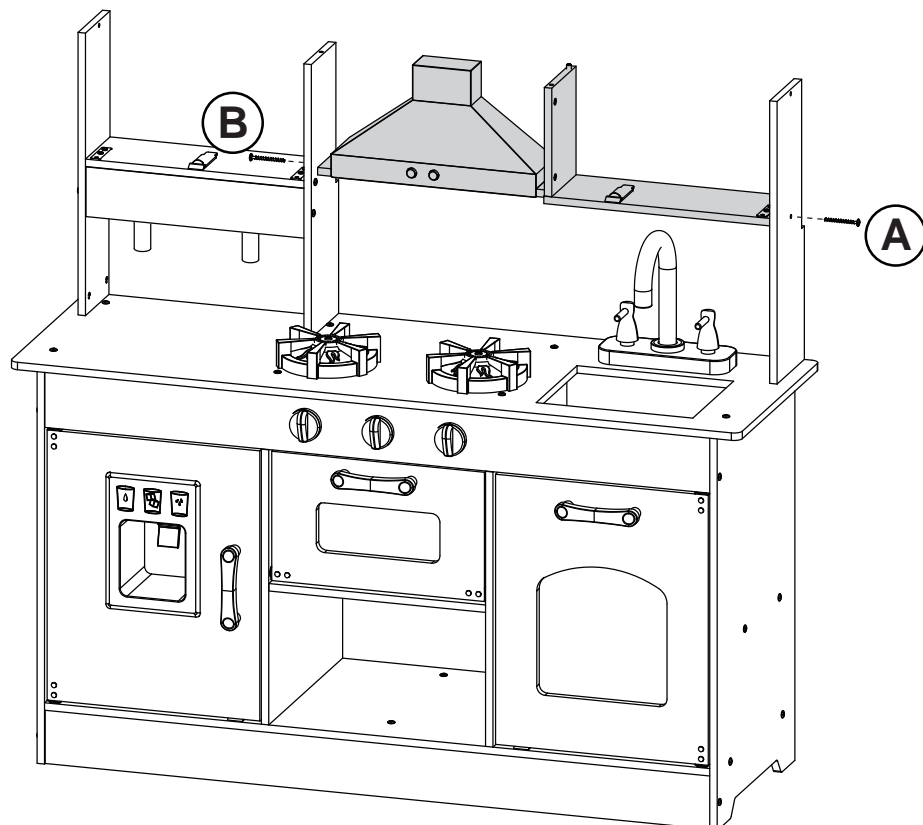
STEP 38

 
B X1 **G** X2



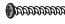
STEP 39

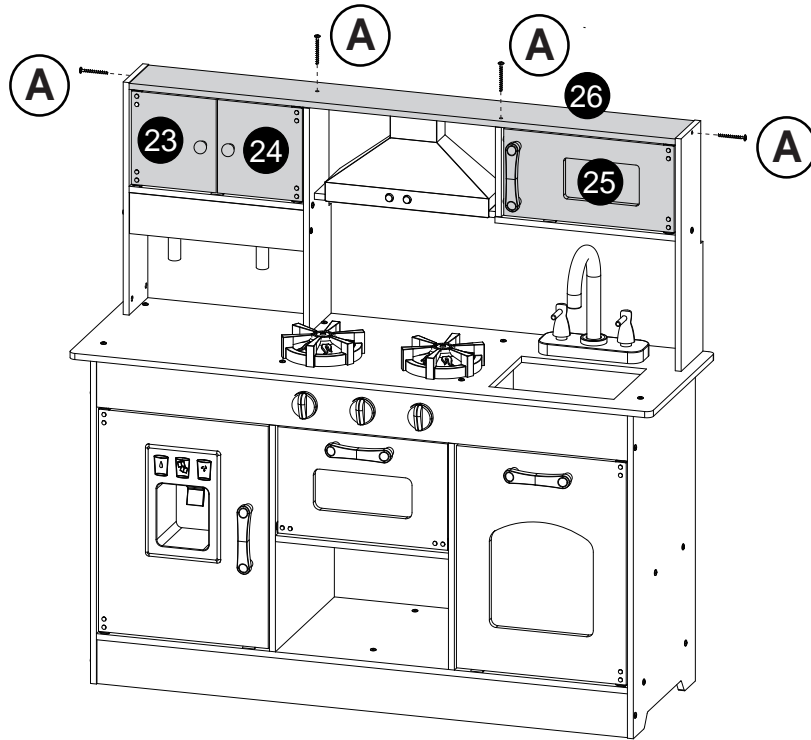
 
B X1 **A** X1 (printing)




(Choose the screw A color based on the board color)

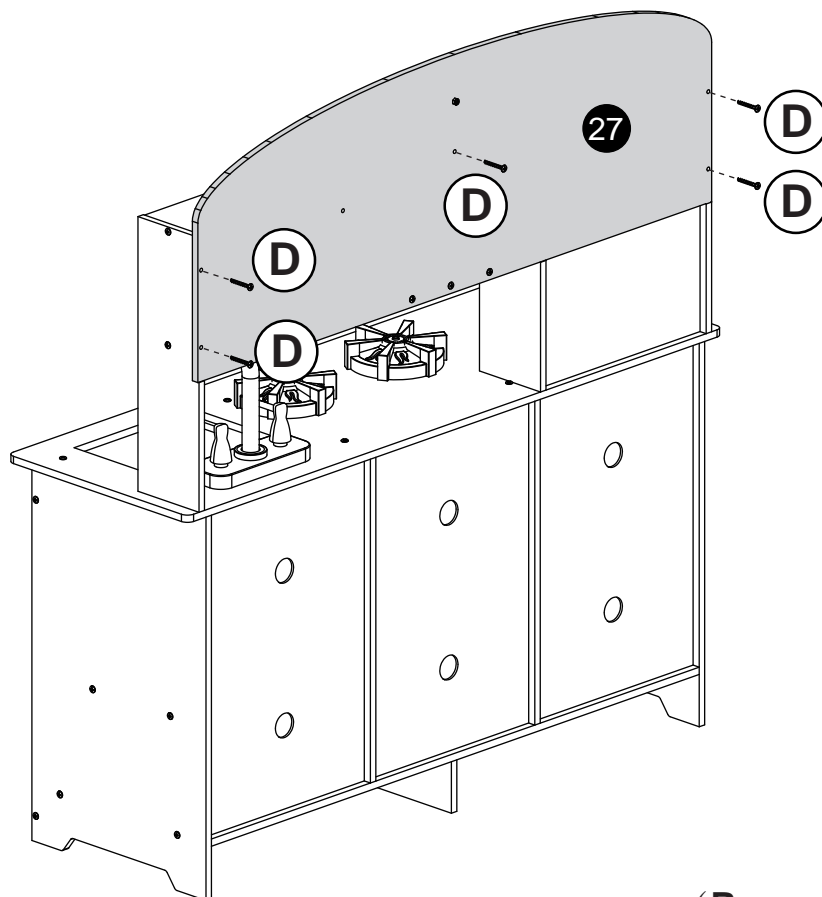
INSTALLATION STEPS

STEP 40  **A** X4 (printing)



(Choose the screw A color based on the board color)

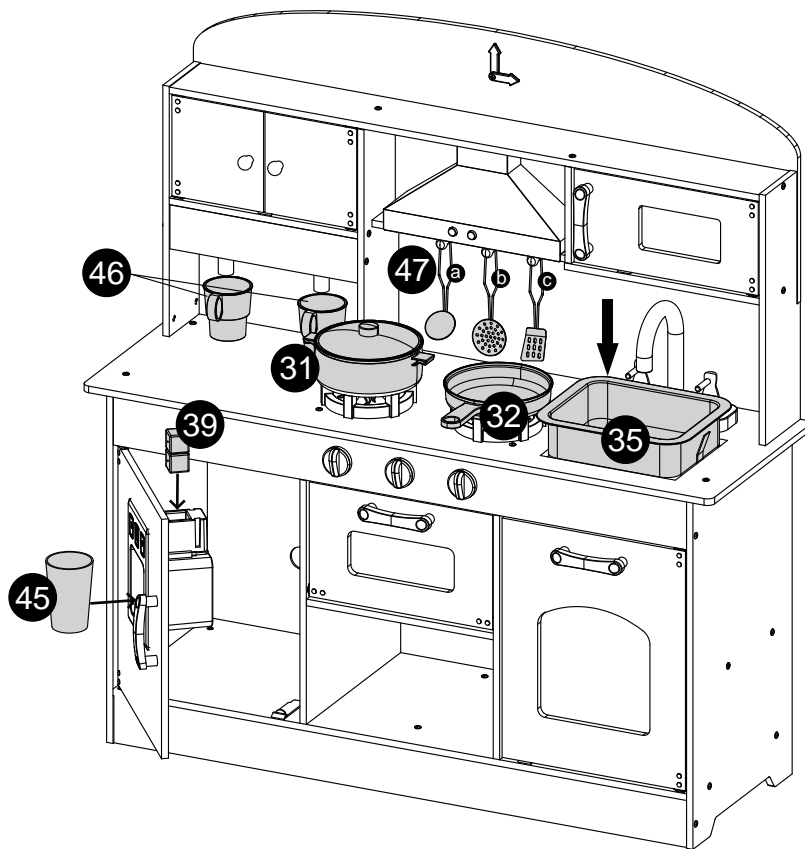
STEP 41  **D** X5



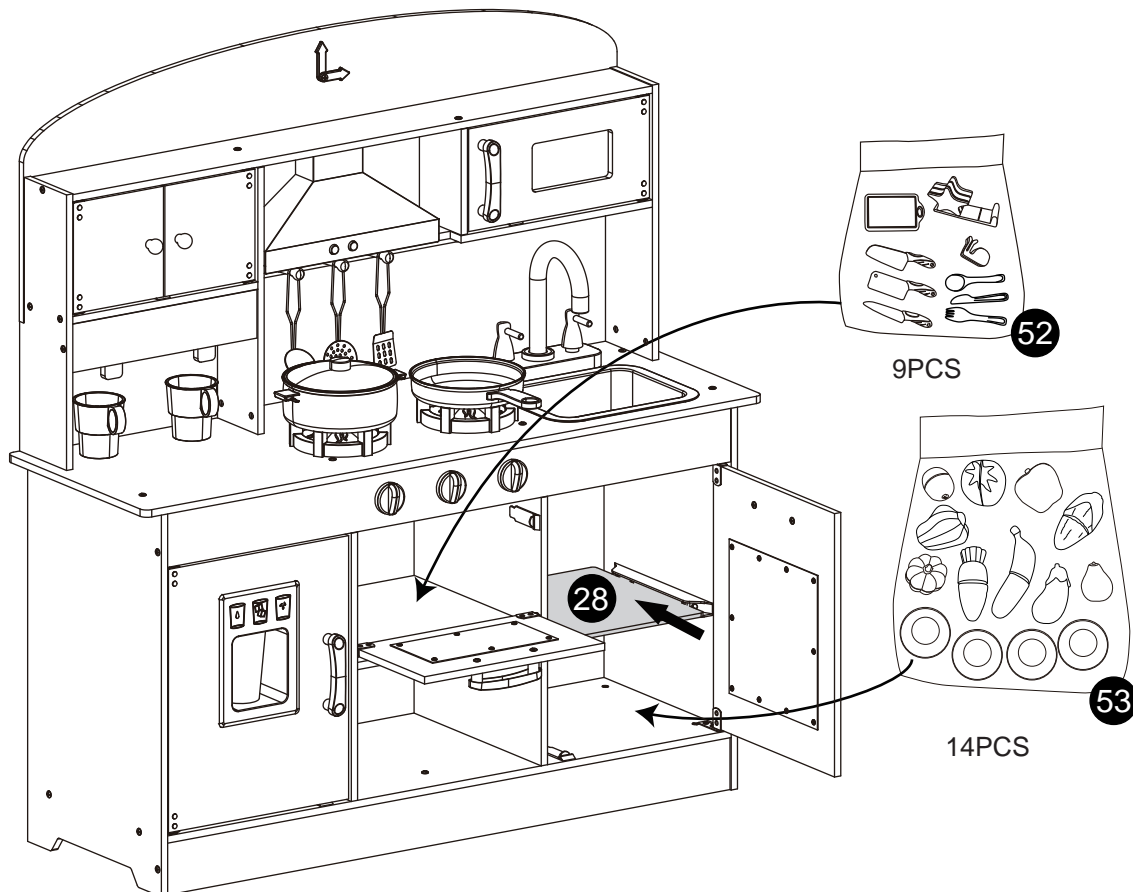
(Reverse Side)

INSTALLATION STEPS

STEP 42

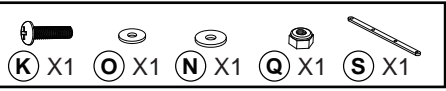


STEP 43

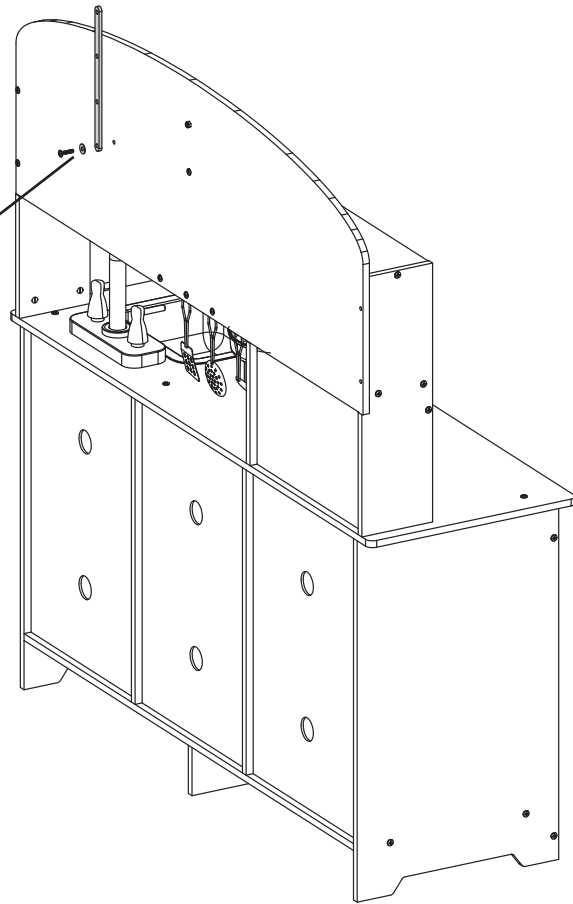
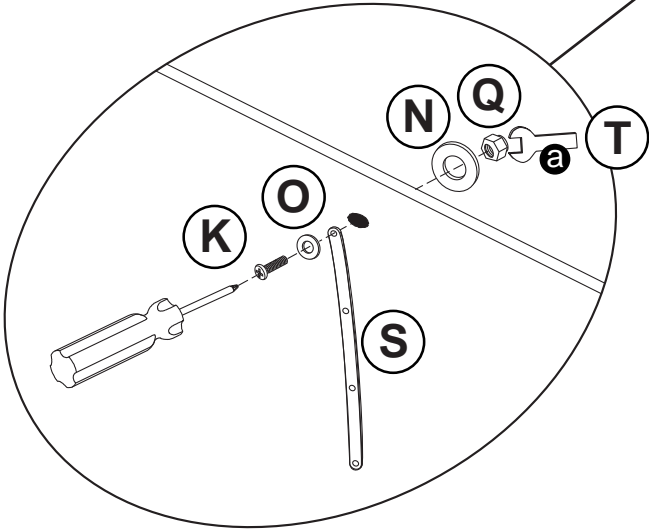


INSTALLATION STEPS

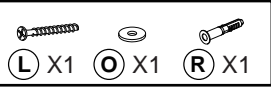
STEP 44



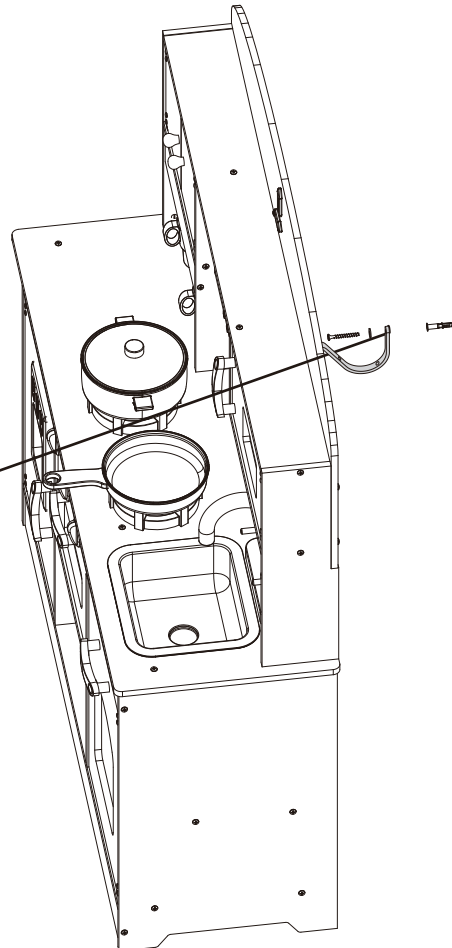
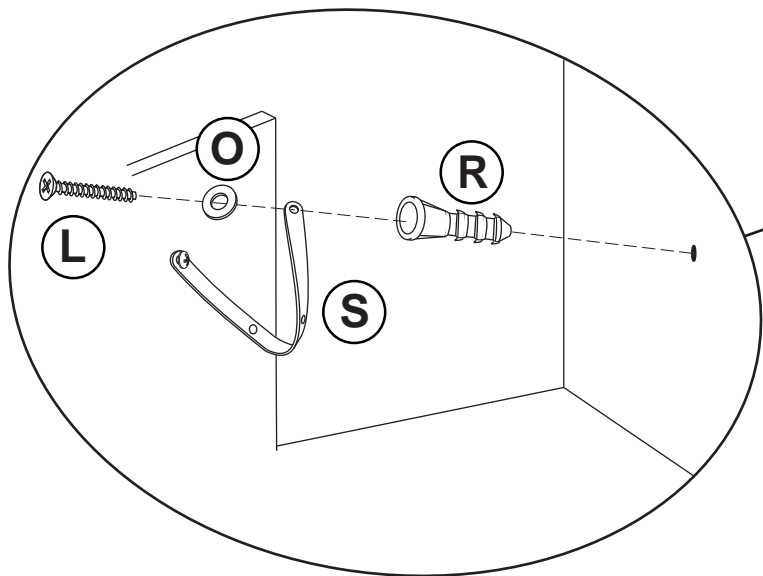
K X1 O X1 N X1 Q X1 S X1



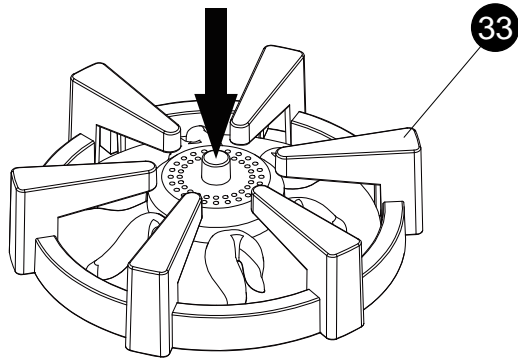
STEP 45



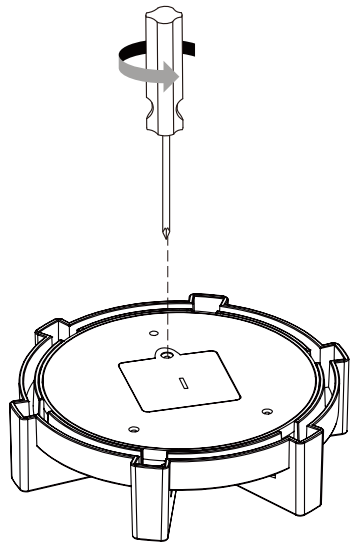
L X1 O X1 R X1



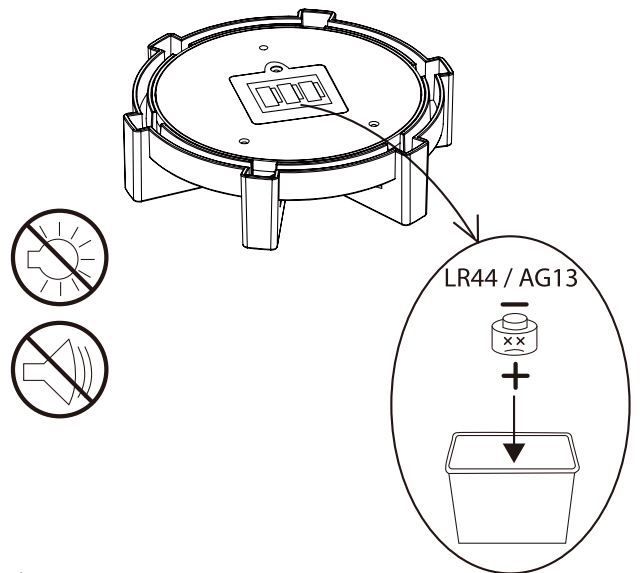
HOW TO REPLACE THE BATTERY



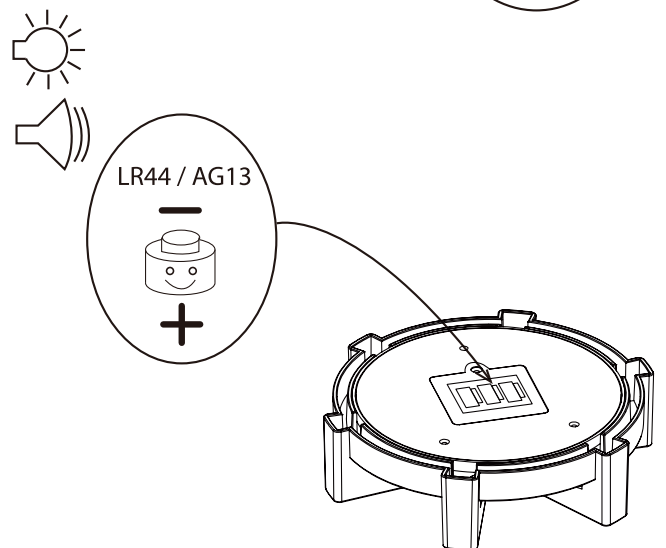
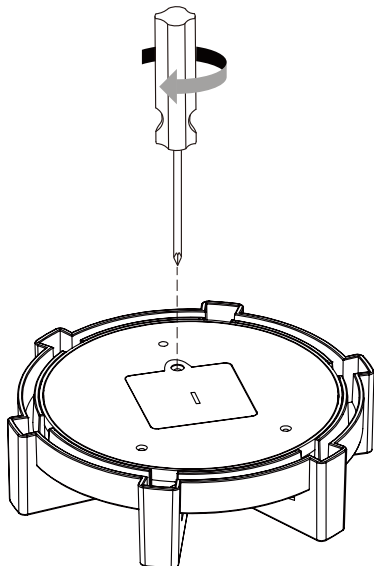
A1



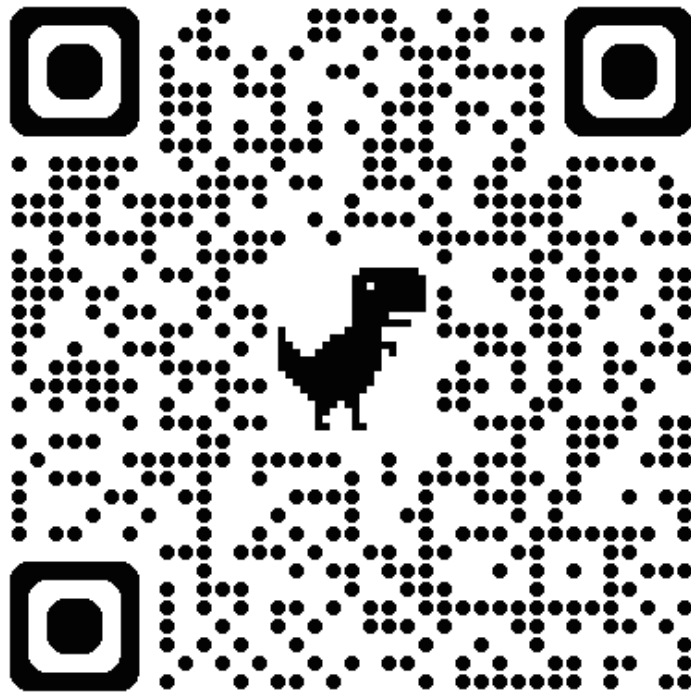
A2



A3



**Please scan the QR code above
for installation video!**



Question about your product? We're here to help.

Contact Us Via: babytronicus@outlook.com

We offer 24 hours customer service. If you experience any problems with missing parts, please feel free to contact us. We will arrange for new parts as soon as possible. Your satisfaction is our top priority.

Thank you for choosing us!