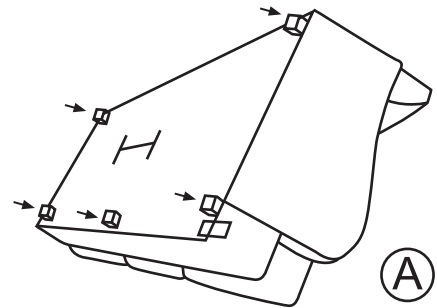


STATIONARY LEG INSTALLATION



1. Remove cardboard and plastic shipping material from seating unit.
2. Tilt unit forward from rear until it rests on the ottoman/footrest. (See image A)
3. Remove wooden blocks from unit. (See image A)

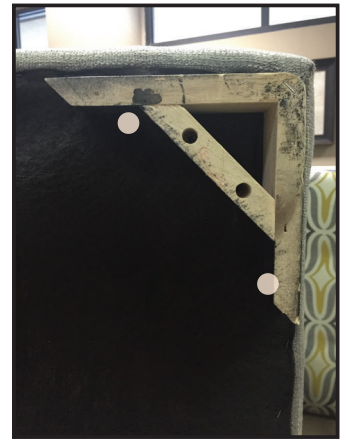


4. Locate zipper pouch on underside of sofa. Unzip and remove legs and screws from pouch.

*Note: sofa may have 5 legs. If so, place one leg front and center.
(See image A)*



5. Place one leg at corner. Using a phillips head screwdriver, line up leg with holes and secure leg using 2 screws. Repeat for each leg.



6. All legs should be secure, carefully turn sofa upright.