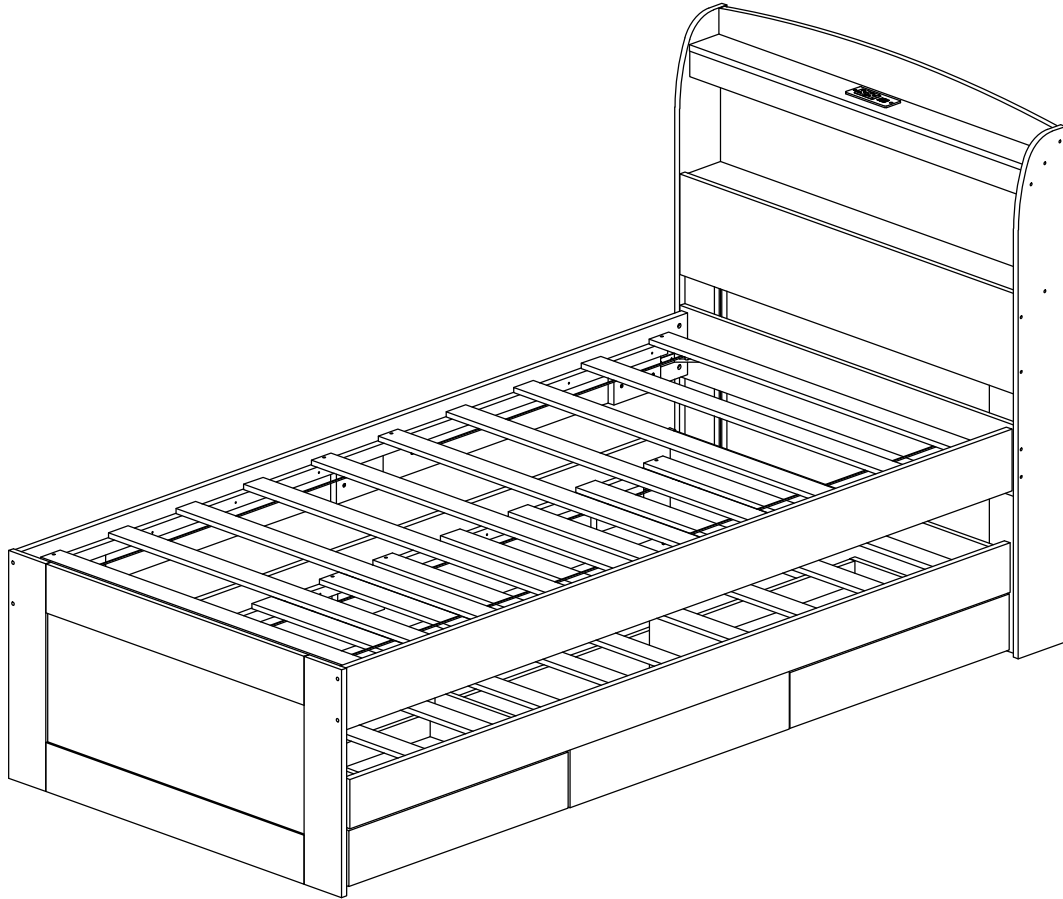


ASSEMBLY INSTRUCTIONS



IMPORTANT NOTE

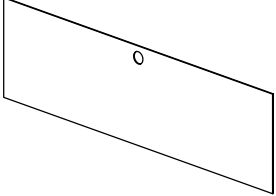
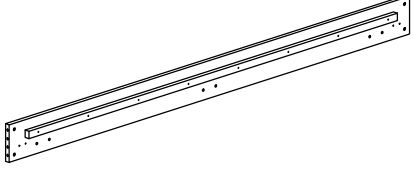
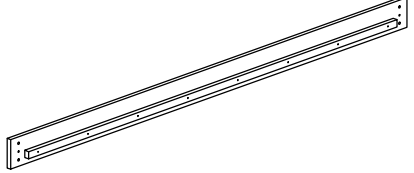
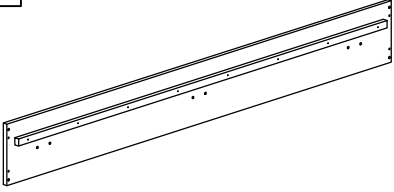
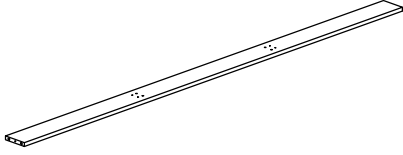
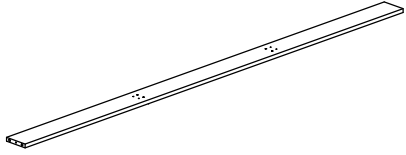
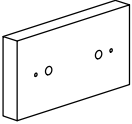
**** PLACE ALL PARTS ON A CLEAN AND SMOOTH SURFACE SUCH AS A RUG OR CARPET TO AVOID THE PARTS FROM BEING SCRATCHED**

**** BEFORE YOU BEGIN , KINDY FOLLOW THE ASSEMBLY INSTRUCTIONS STEP BY STEP**

**** DO NOT TIGHTEN ALL SCREWS AND BOLTS UNTIL THE BED IS FULLY SET-UP**

ASSEMBLY INSTRUCTIONS

PART LIST BOX 1 :

I  <p>Back Panel (Headboard) (1 pc)</p>	K  <p>Side Frame Panel (2 pcs)</p>	L  <p>Front Top Frame (Pull Bed) (1 pc)</p>
M  <p>Back Frame (Pull Bed) (1 pc)</p>	T  <p>Bottom Crossbar-1 (Pull Bed) (1 pc)</p>	U  <p>Bottom Crossbar-2 (Pull Bed) (1 pc)</p>
Z  <p>Support Stand (9 pcs)</p>		

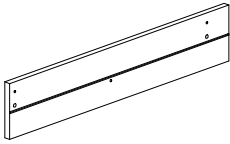
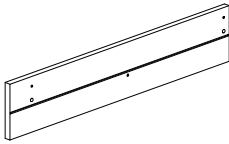
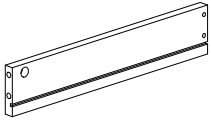
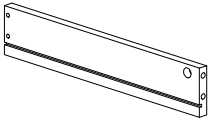
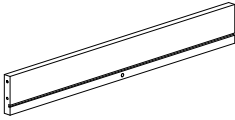
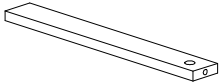
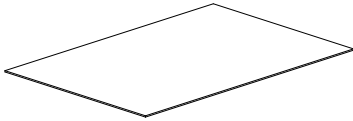
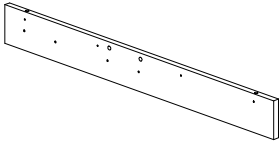
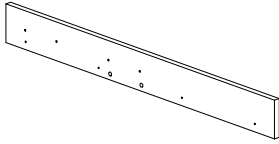
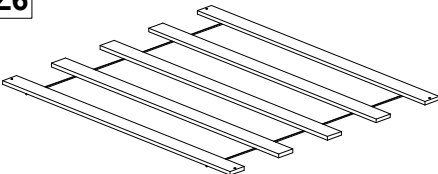
ASSEMBLY INSTRUCTIONS

PART LIST BOX 2

<p>A</p> <p>Side Panel-L (Headboard) (1 pc)</p>	<p>B</p> <p>Side Panel-R (Headboard) (1 pc)</p>	<p>C</p> <p>Top Panel (Headboard) (1 pc)</p>
<p>D</p> <p>Partition Panel (Headboard) (1 pc)</p>	<p>E</p> <p>Top Panel Crossbar (Headboard) (1 pc)</p>	<p>F</p> <p>Top Panel Back Crossbar (Headboard) (1 pc)</p>
<p>G</p> <p>Front Panel (Upper) (Headboard) (1 pc)</p>	<p>H</p> <p>Front Panel (Middle) (Headboard) (1 pc)</p>	<p>J</p> <p>Footboard (1 pc)</p>
<p>N</p> <p>Side Panel-L (Pull Bed) (1 pc)</p>	<p>O</p> <p>Side Panel-R (Pull Bed) (1 pc)</p>	<p>P</p> <p>Front Bottom Frame (Pull Bed) (1 pc)</p>
<p>Q</p> <p>Stand Panel-C (Pull Bed) (1 pc)</p>	<p>R</p> <p>Stand Panel-L (Pull Bed) (1 pc)</p>	<p>S</p> <p>Stand Panel-R (Pull Bed) (1 pc)</p>

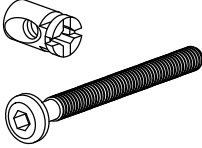
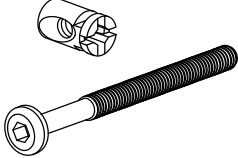
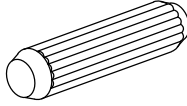
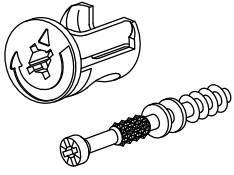


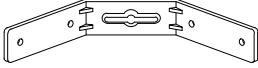

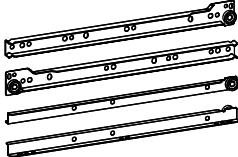
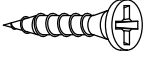
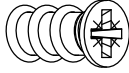
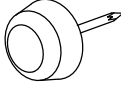
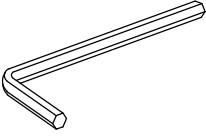

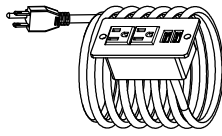
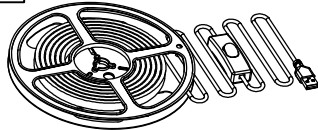
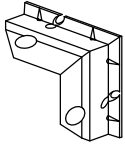
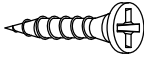
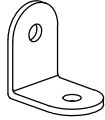
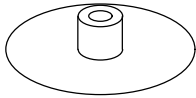
ASSEMBLY INSTRUCTIONS

PART LIST BOX 2

<p>V</p>  <p>Drawer Front Panel-L (1 pc)</p>	<p>W</p>  <p>Drawer Front Panel-R (1 pc)</p>	<p>X</p>  <p>Drawer Side Panel-L (2 pcs)</p>
<p>Y</p>  <p>Drawer Side Panel-R (2 pcs)</p>	<p>Z1</p>  <p>Drawer Back Panel (2 pcs)</p>	<p>Z2</p>  <p>Drawer Bottom Crosbar (2 pcs)</p>
<p>Z3</p>  <p>Drawer Bottom Panel (2 pcs)</p>	<p>Z4</p>  <p>Back Crossbar-L (Headboard) (1 pc)</p>	<p>Z5</p>  <p>Back Crossbar-R (Headboard) (1 pc)</p>
<p>Z6</p>  <p>Slat - 976*60*12mm / pc (5 pcs / Set) (4 Sets)</p>		

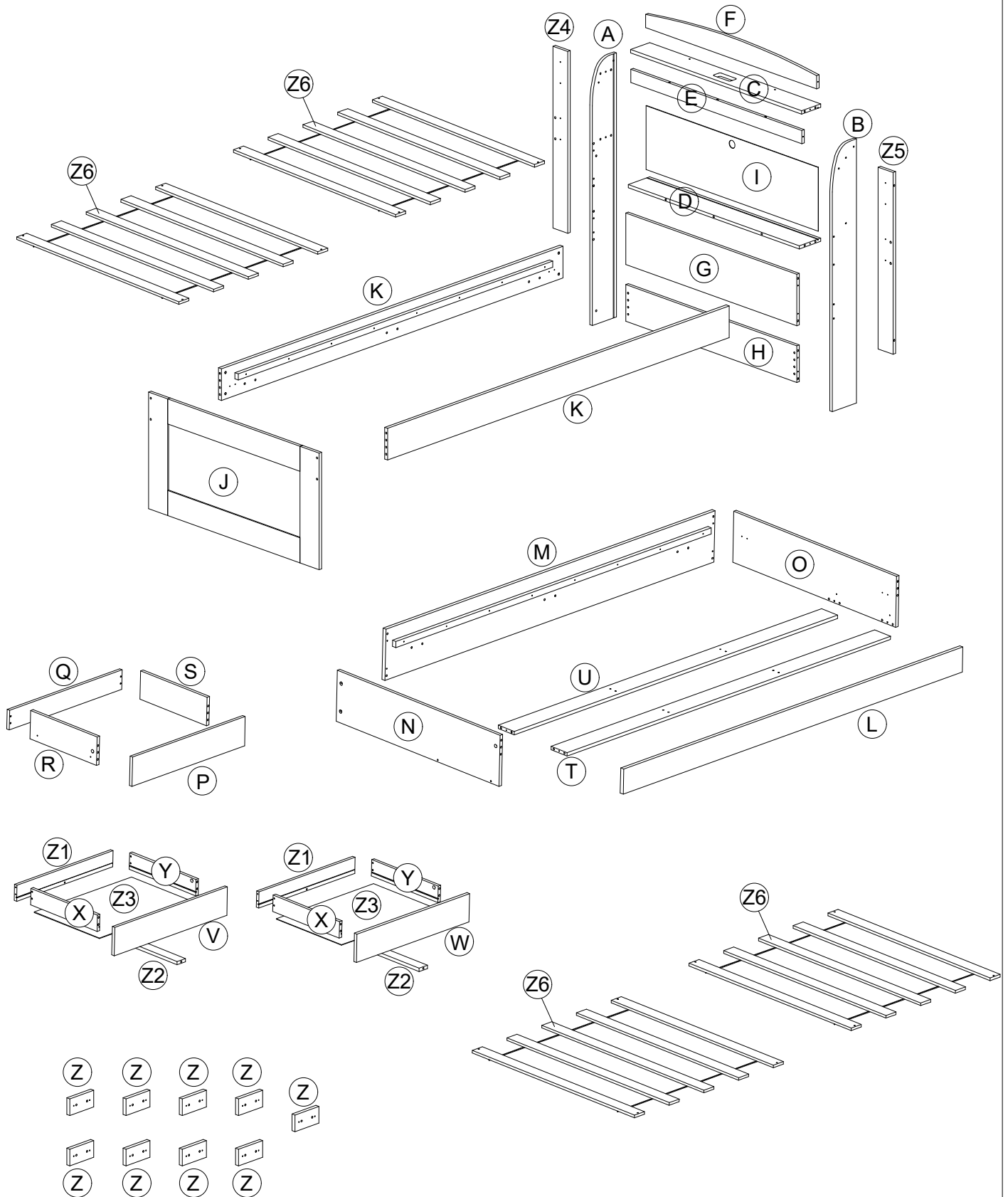
ASSEMBLY INSTRUCTIONS

HARDWARE LIST IN BOX 2

<p>1</p>  <p>JCBC - Blot M6x50mm (4 sets)</p>	<p>2</p>  <p>JCBC - Blot M6x70mm (4 sets)</p>	<p>3</p>  <p>8x25mm Wood Dowel (74 pcs)</p>	<p>4</p>  <p>15MM Myfix Minifix (18 sets)</p>
<p>5</p>  <p>M5x40mm Screw (42 pcs)</p>	<p>6</p>  <p>M4x30mm Screw (42 pcs)</p>	<p>7</p>  <p>Corner Bracket (8 pcs)</p>	<p>8</p>  <p>Caster Nylon White 38mm (8 pcs)</p>
<p>9</p>  <p>Drawer Slide 16" (400mm) (2 sets)</p>	<p>10</p>  <p>M3.5x16mm Screw (72 pcs)</p>	<p>11</p>  <p>M5x8mm Screw (Euro Screw) (8 pcs)</p>	<p>12</p>  <p>Nail Leg (8 pcs)</p>
<p>13</p>  <p>L-Key (1 pc)</p>	<p>14</p>  <p>Screw Cap (16 pcs)</p>	<p>15</p>  <p>Power Plug 2 plug + 2 USB (1 set)</p>	<p>16</p>  <p>Led With Switch 1 Meter With White Lighting (1 set)</p>
<p>17</p>  <p>Z Bracket (4 pcs)</p>	<p>18</p>  <p>M3x16mm Screw (10 pcs)</p>	<p>19</p>  <p>L - Bracket (8 pcs)</p>	<p>20</p>  <p>15MM Minifix Cap (4 pcs)</p>

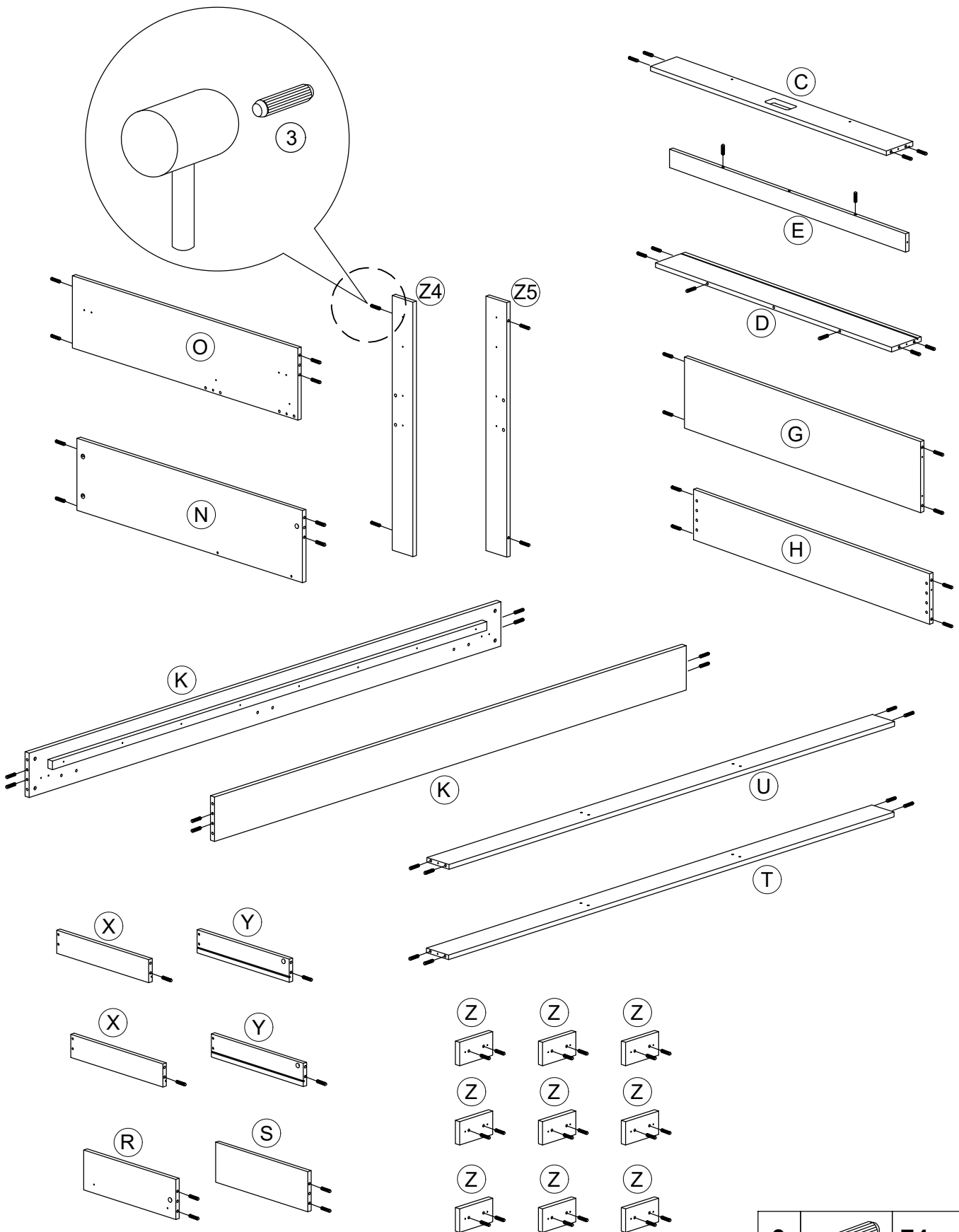
ASSEMBLY INSTRUCTIONS


EXPLODED VIEW



ASSEMBLY INSTRUCTIONS

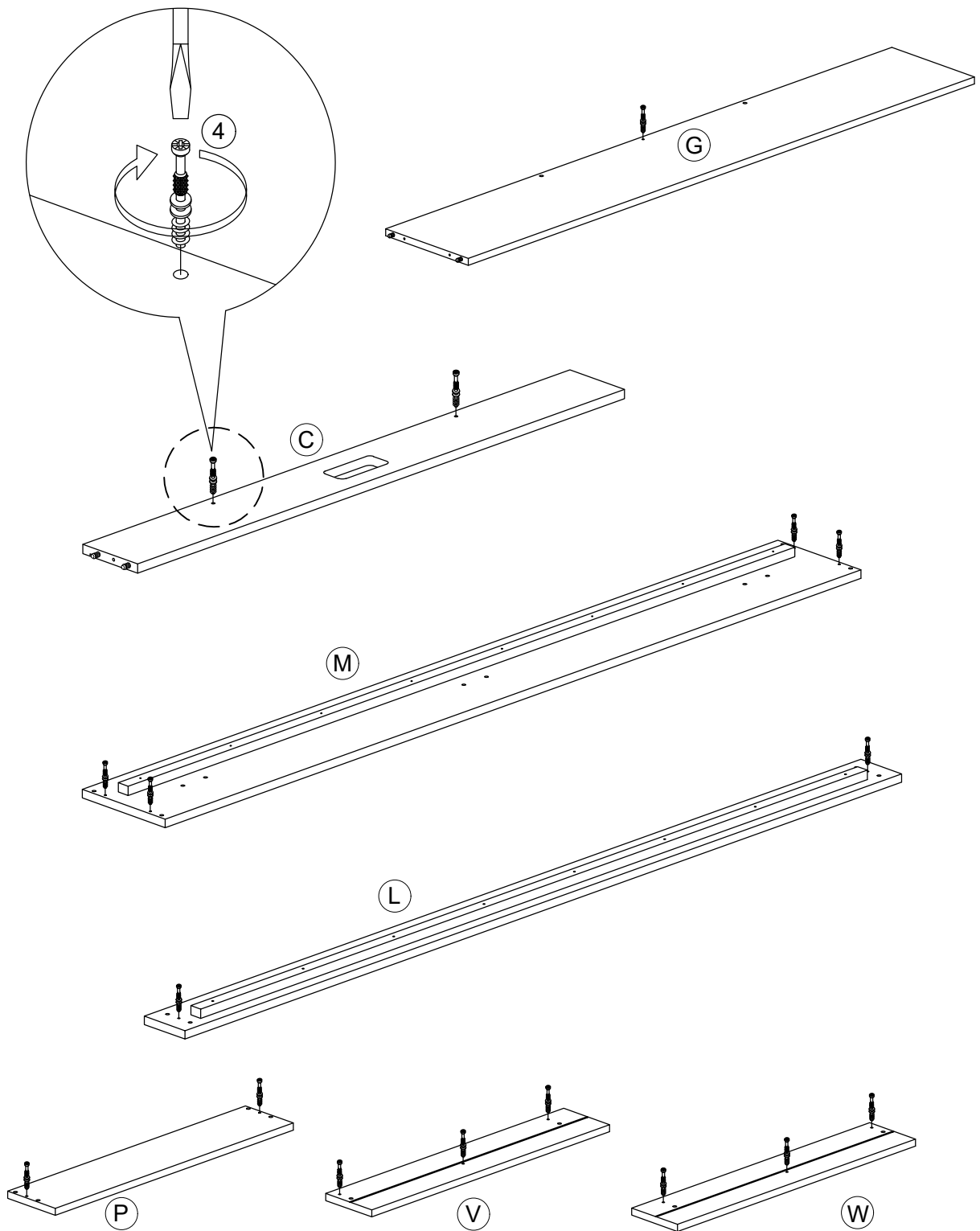
STEP 1




3		74pcs
---	---	-------

ASSEMBLY INSTRUCTIONS

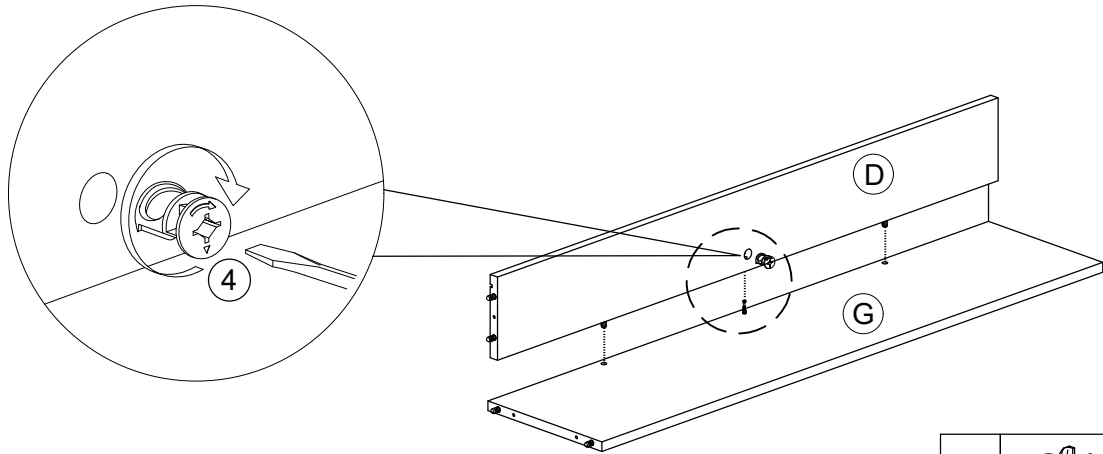
STEP 2




4		17pcs
---	---	-------

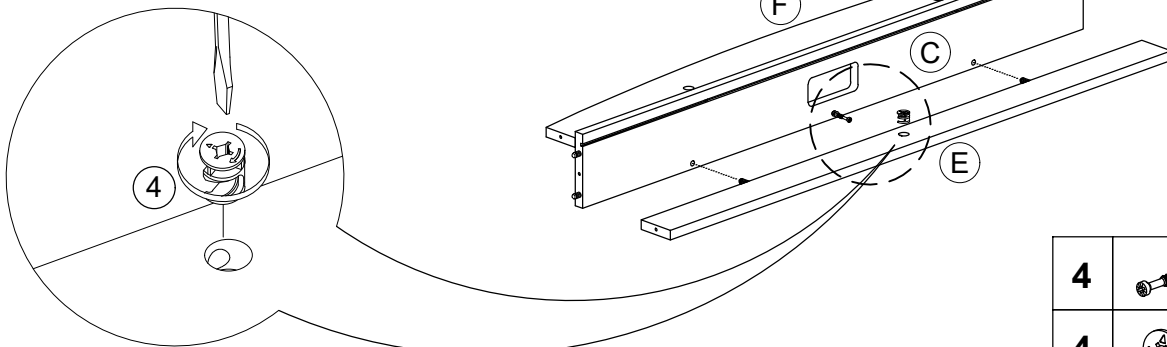
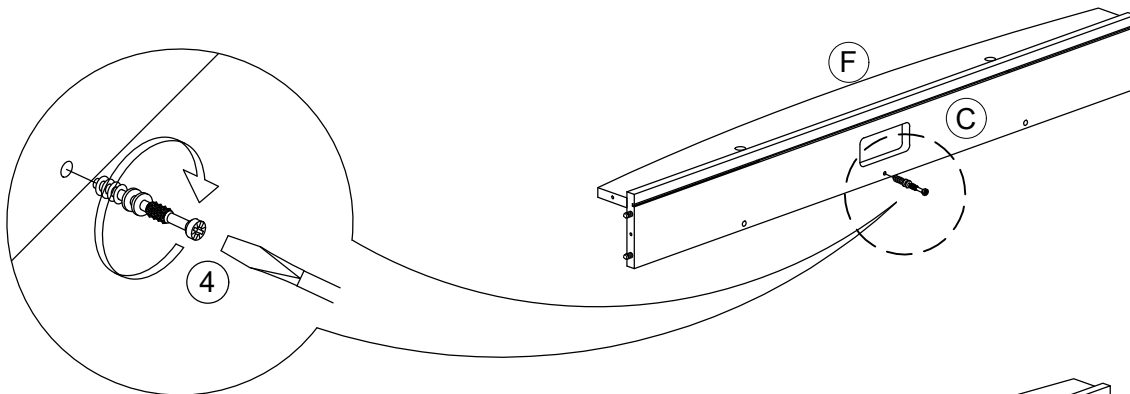
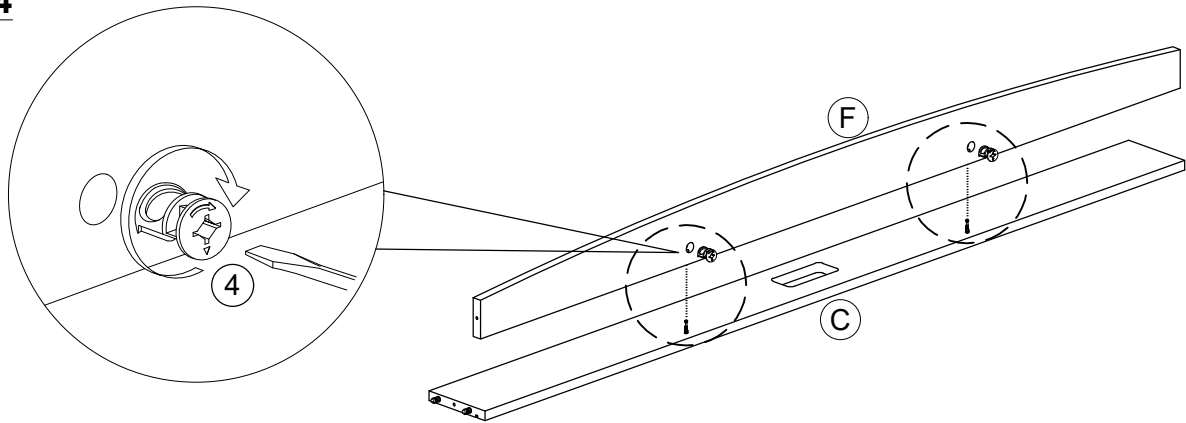
ASSEMBLY INSTRUCTIONS



STEP 3



4		1pc
---	---	-----

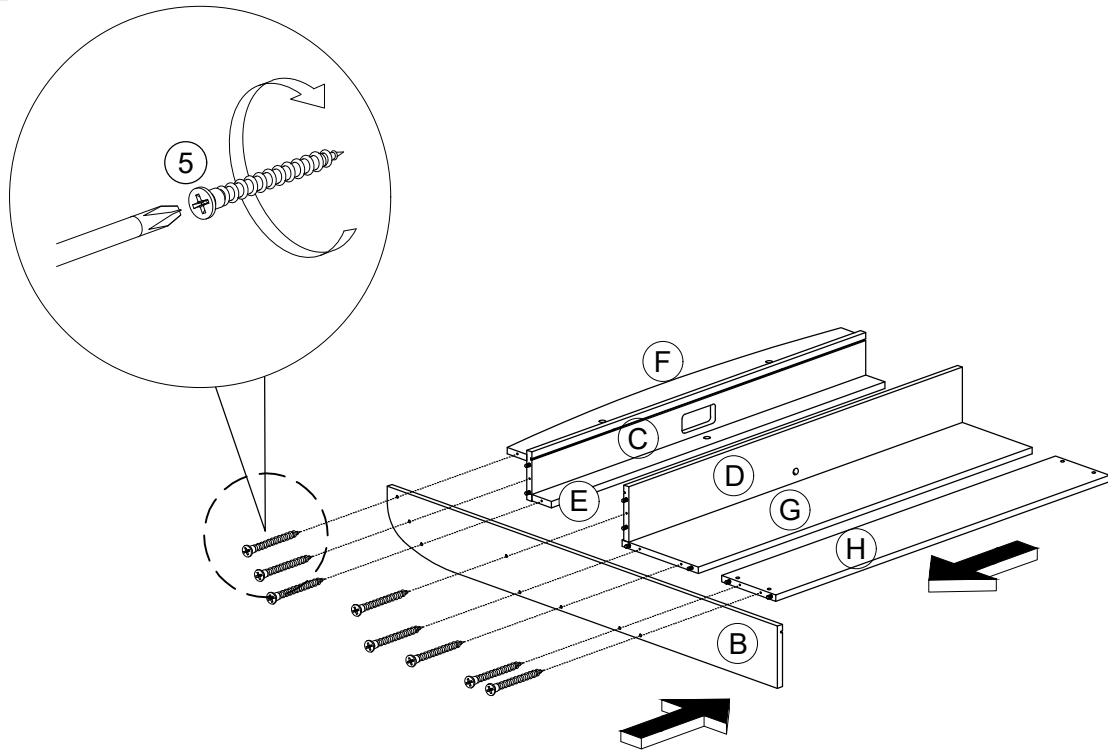
STEP 4



4		1pc
4		3pcs

ASSEMBLY INSTRUCTIONS

STEP 5

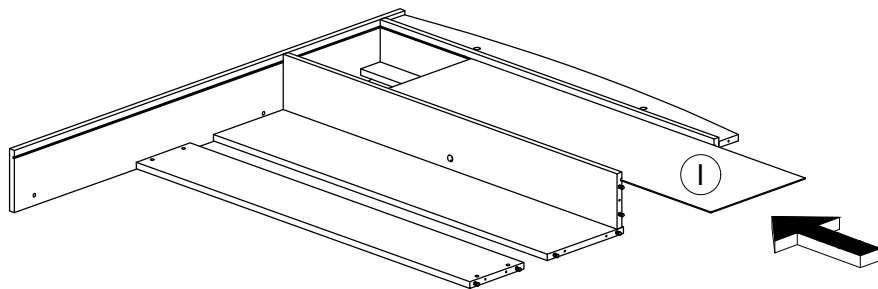


5



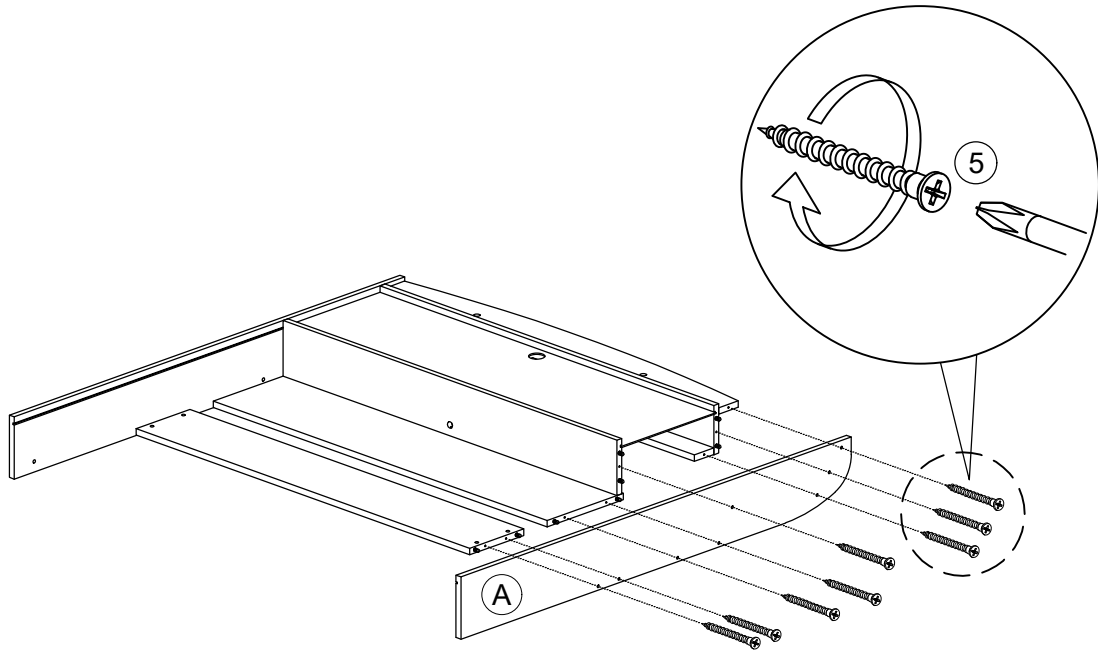
8pcs


STEP 6



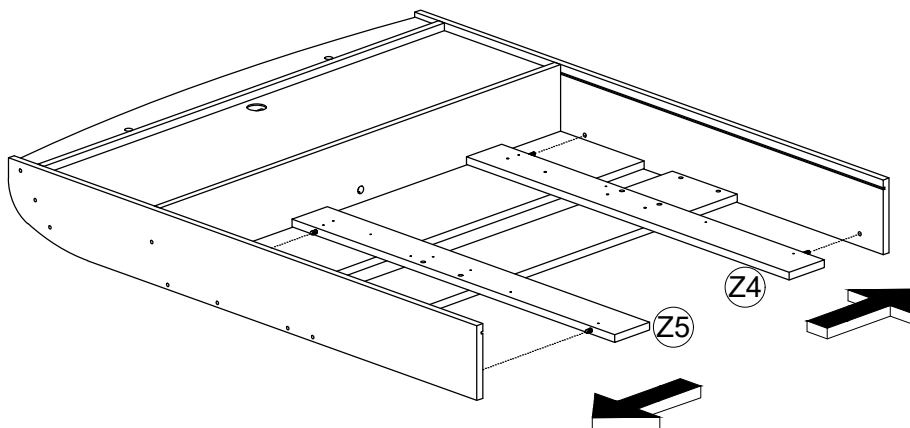
ASSEMBLY INSTRUCTIONS

STEP 7



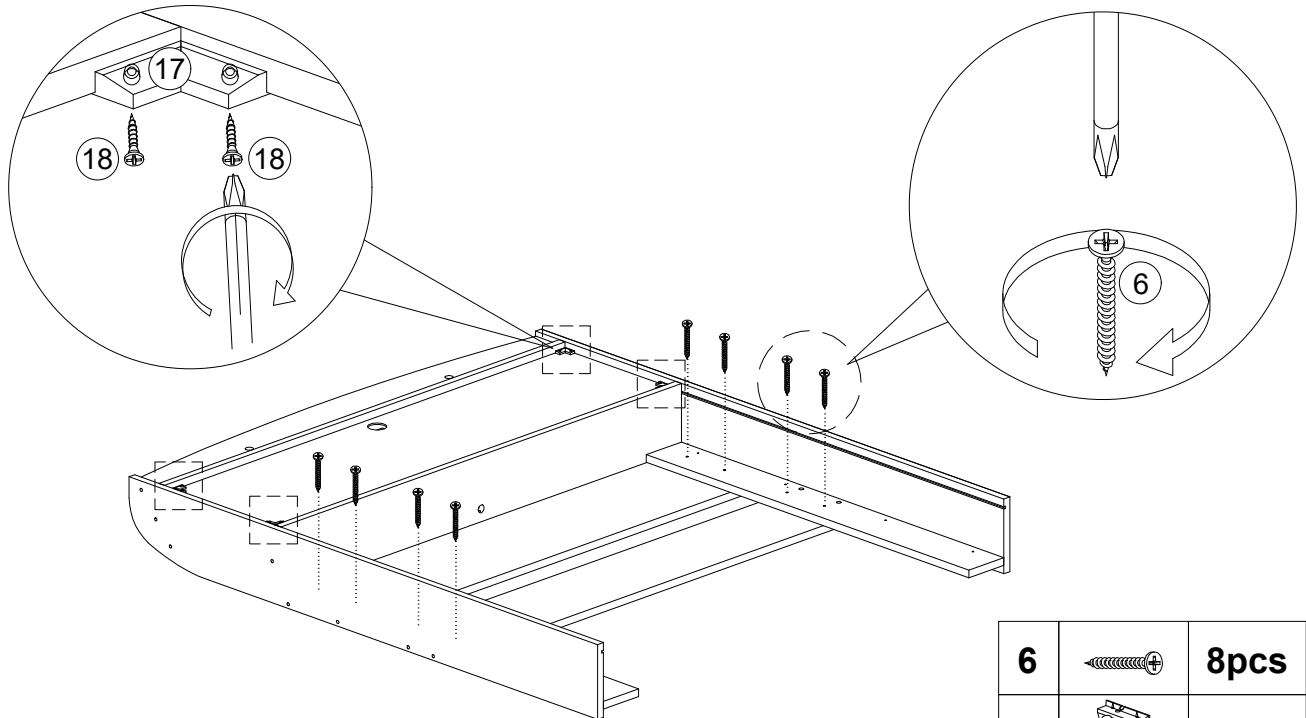
5		8pcs
---	---	------


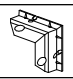

STEP 8



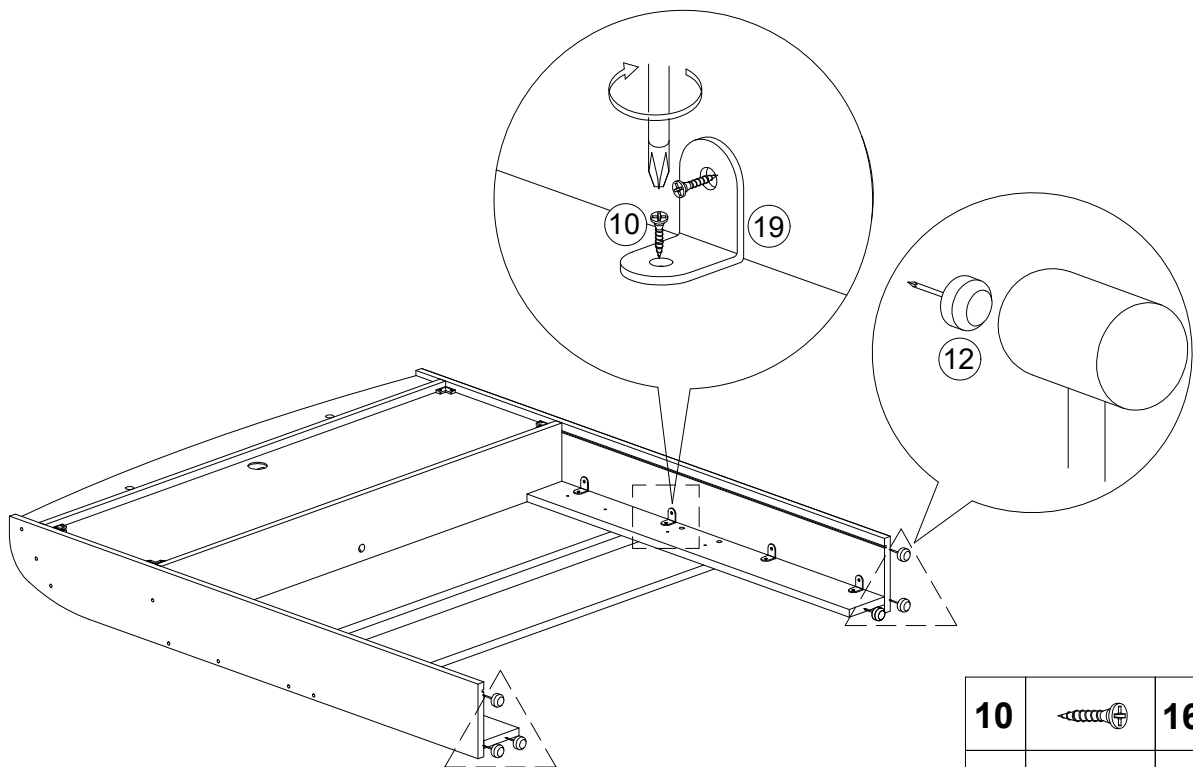
ASSEMBLY INSTRUCTIONS

STEP 9



6		8pcs
17		4pcs
18		8pcs

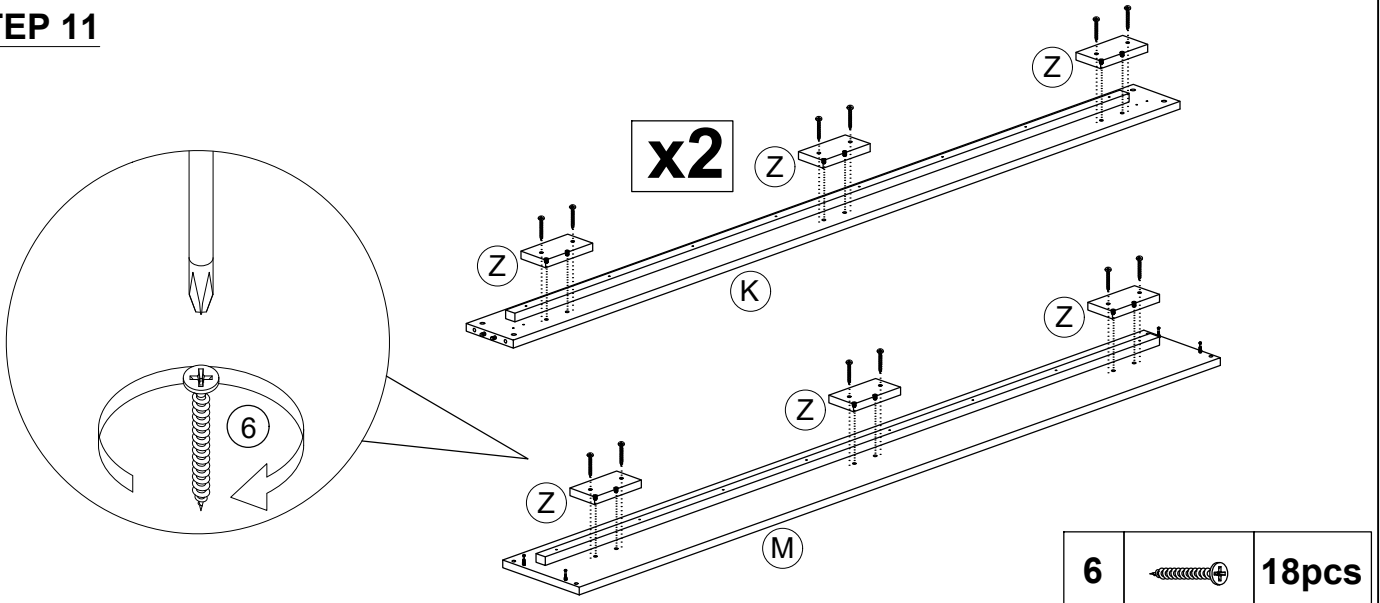
STEP 10



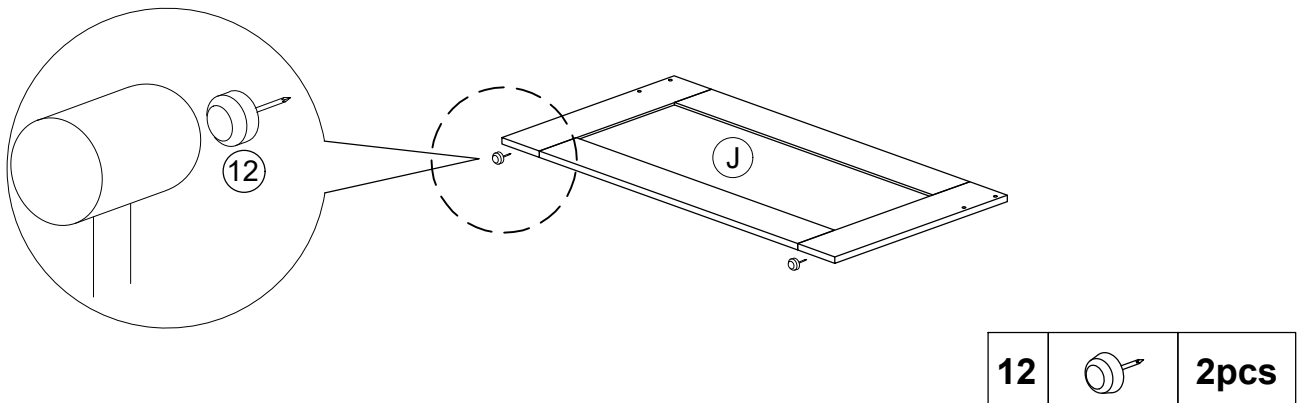
10		16pcs
12		6pcs
19		8pcs

ASSEMBLY INSTRUCTIONS

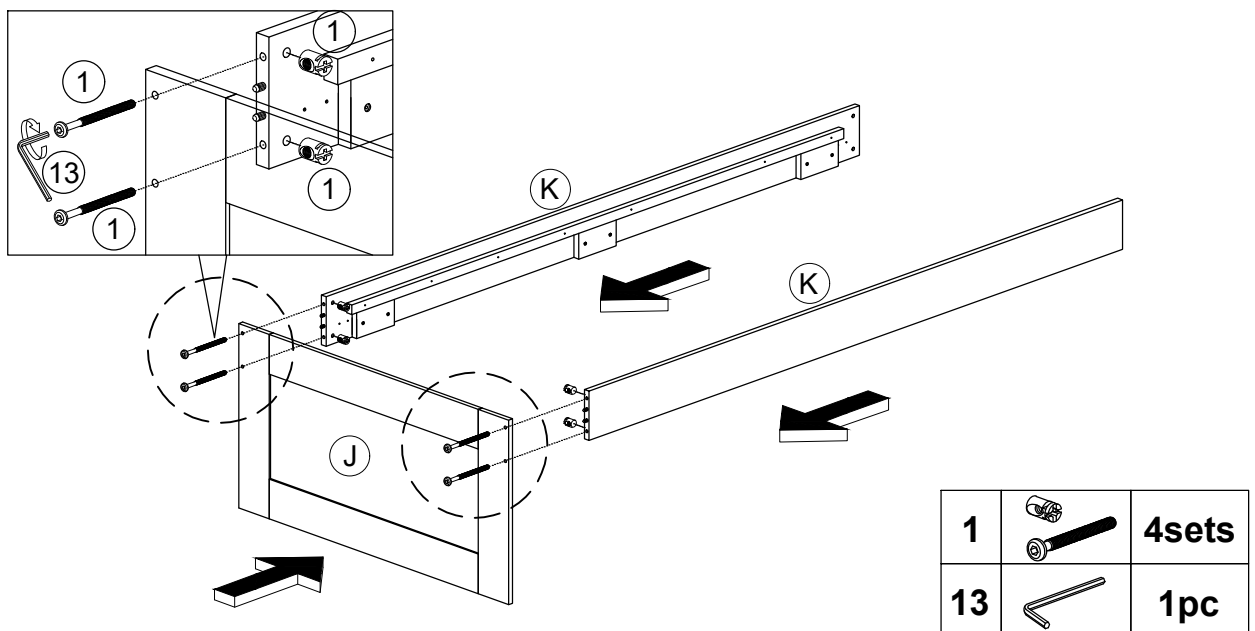
STEP 11



STEP 12

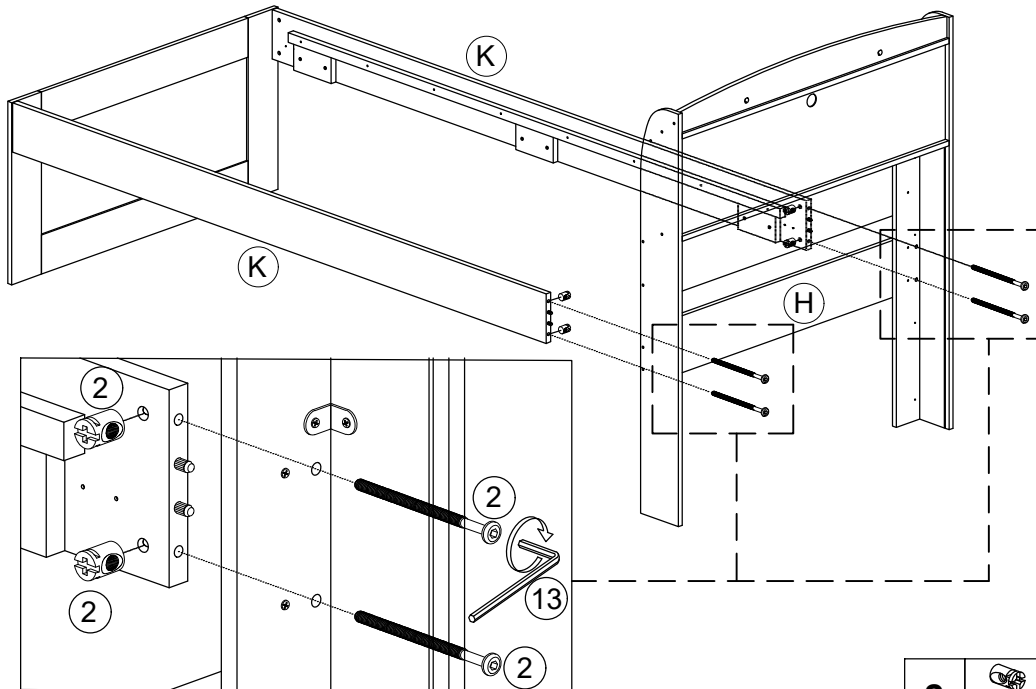




STEP 13



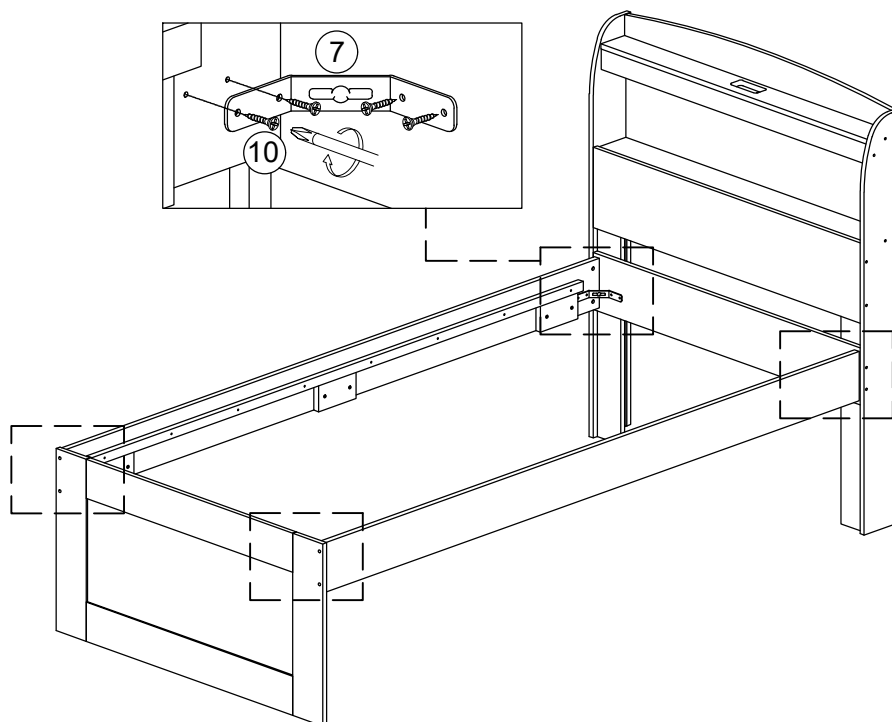
ASSEMBLY INSTRUCTIONS

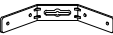
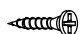
STEP 14



2		4sets
13		1pc

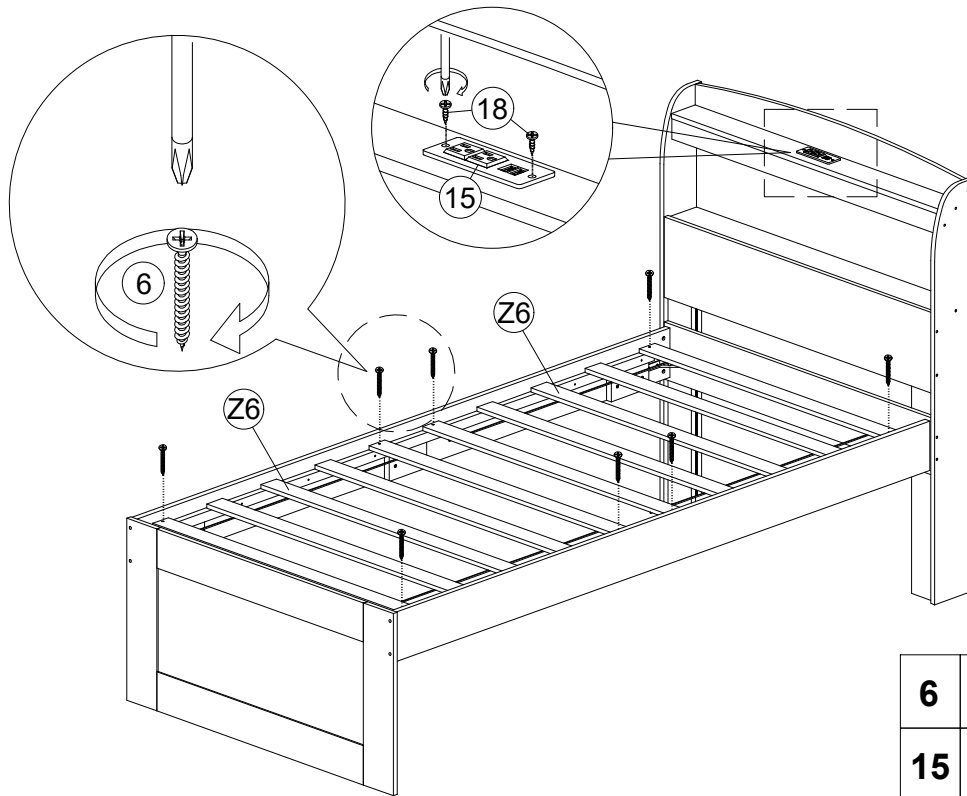
STEP 15



7		4pcs
10		16pcs

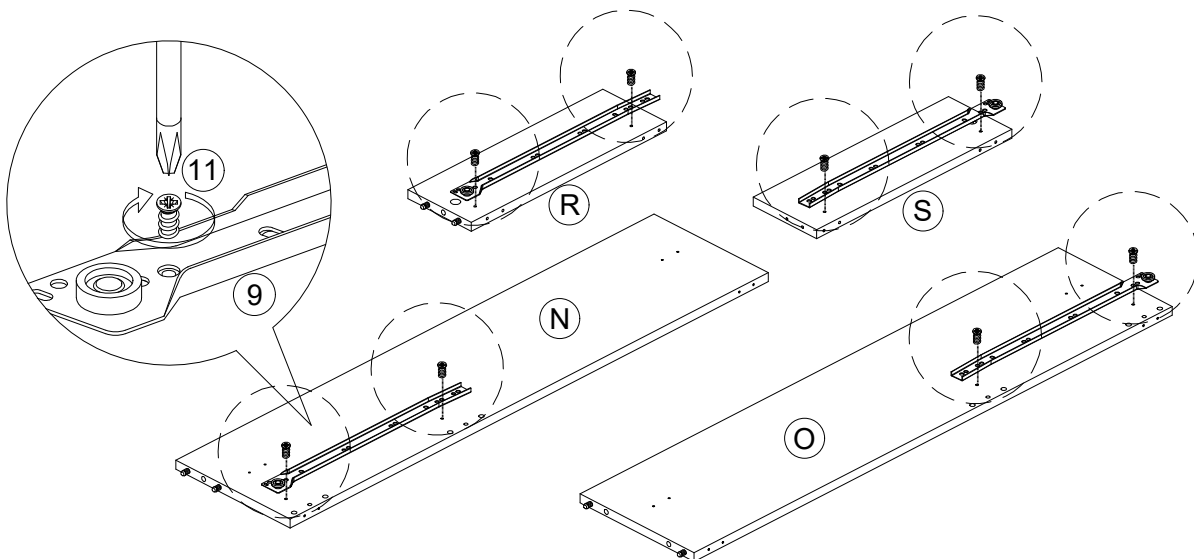
ASSEMBLY INSTRUCTIONS

STEP 16



6		8pcs
15		1set
18		2pcs

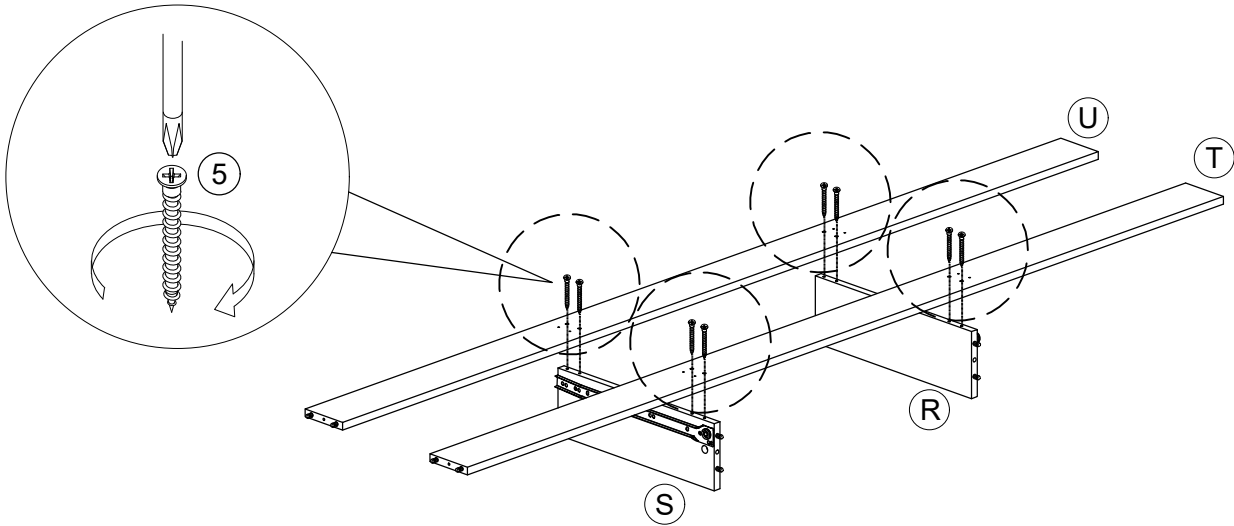
STEP 17




9		2sets
11		8pcs

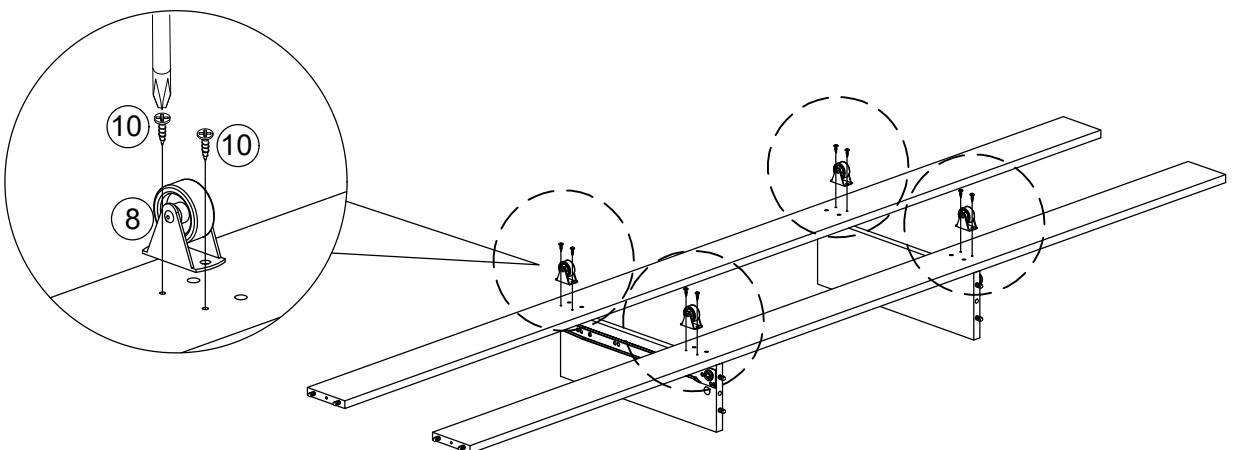
ASSEMBLY INSTRUCTIONS


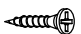
STEP 18



5		8pcs
---	---	------

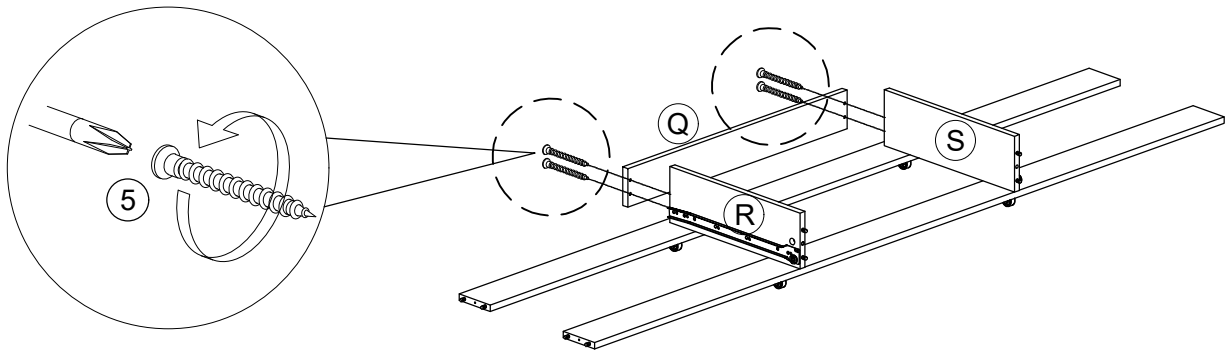
STEP 19




8		4pcs
10		8pcs

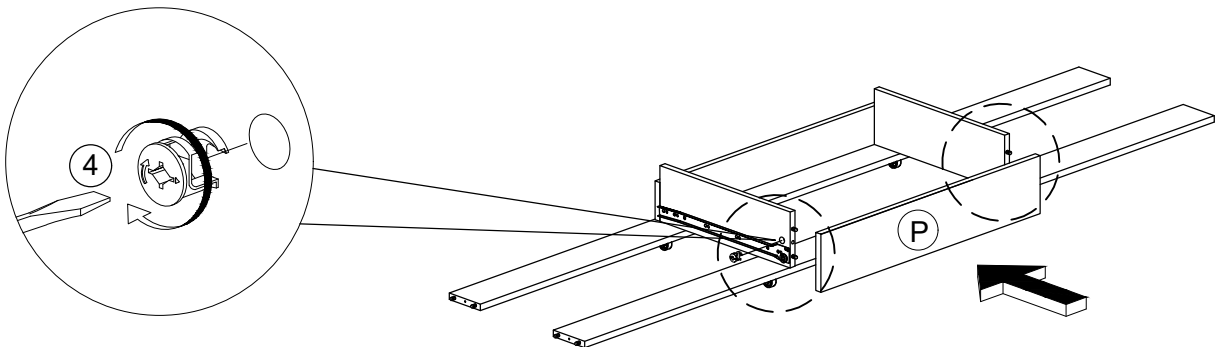
ASSEMBLY INSTRUCTIONS


STEP 20



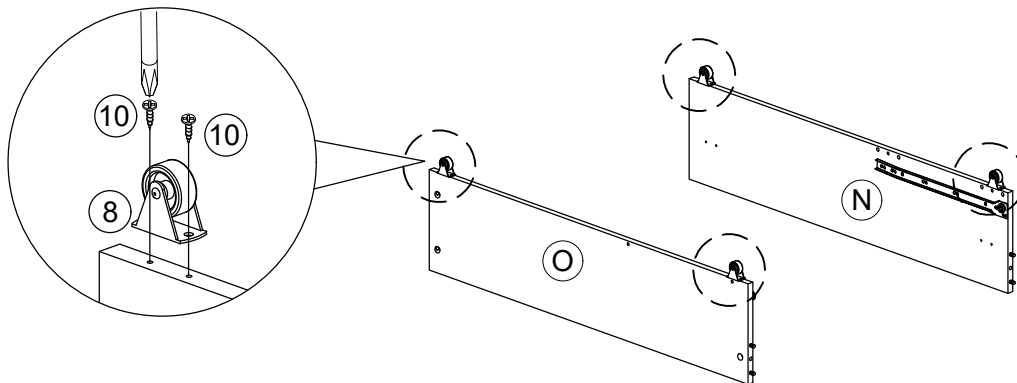
5		4pcs
---	---	------


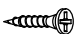
STEP 21



4		2pcs
---	---	------

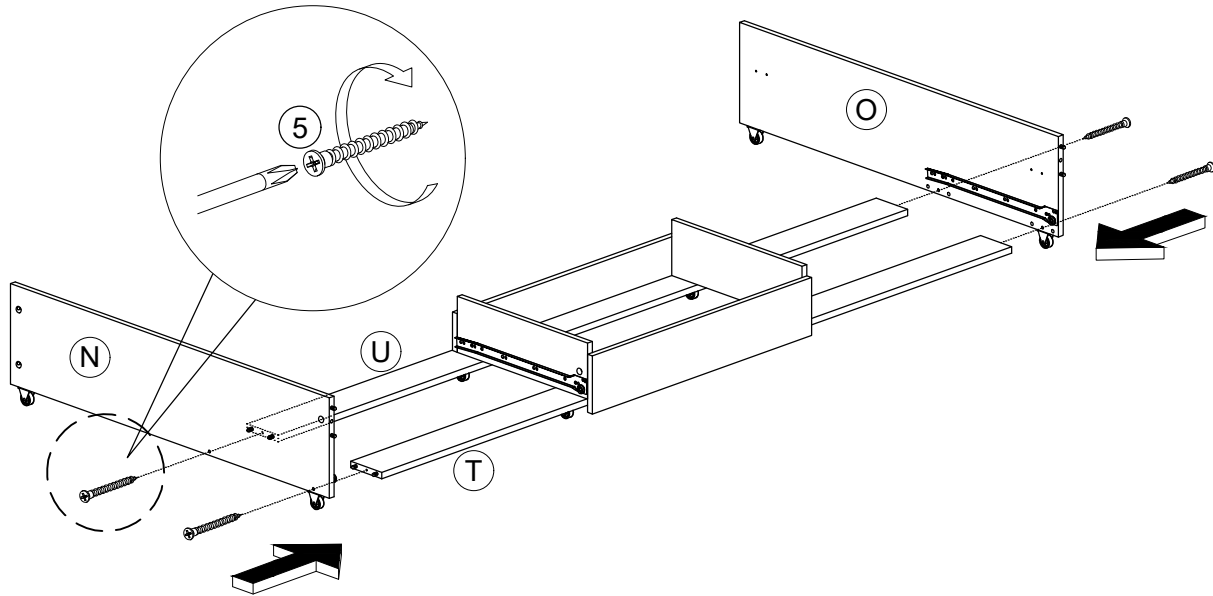
STEP 22




8		4pcs
10		8pcs

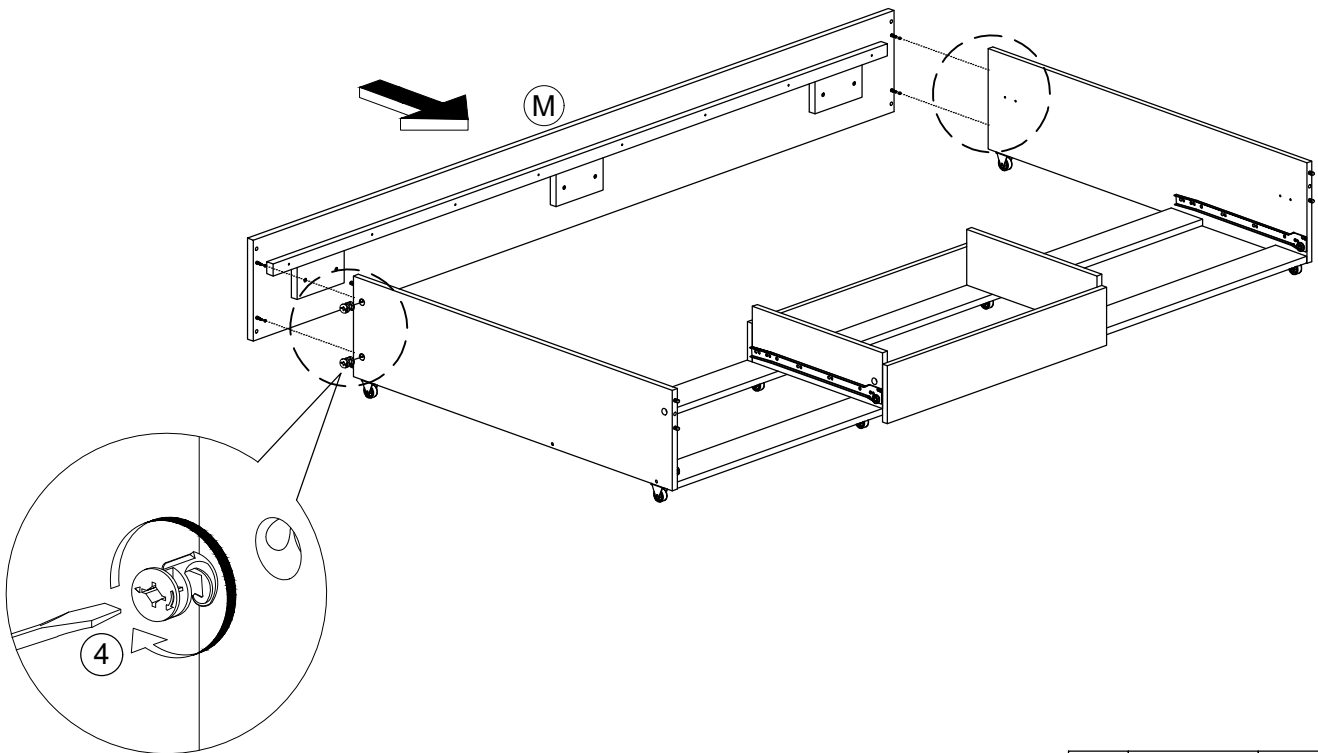
ASSEMBLY INSTRUCTIONS

STEP 23



5		4pcs
---	---	------

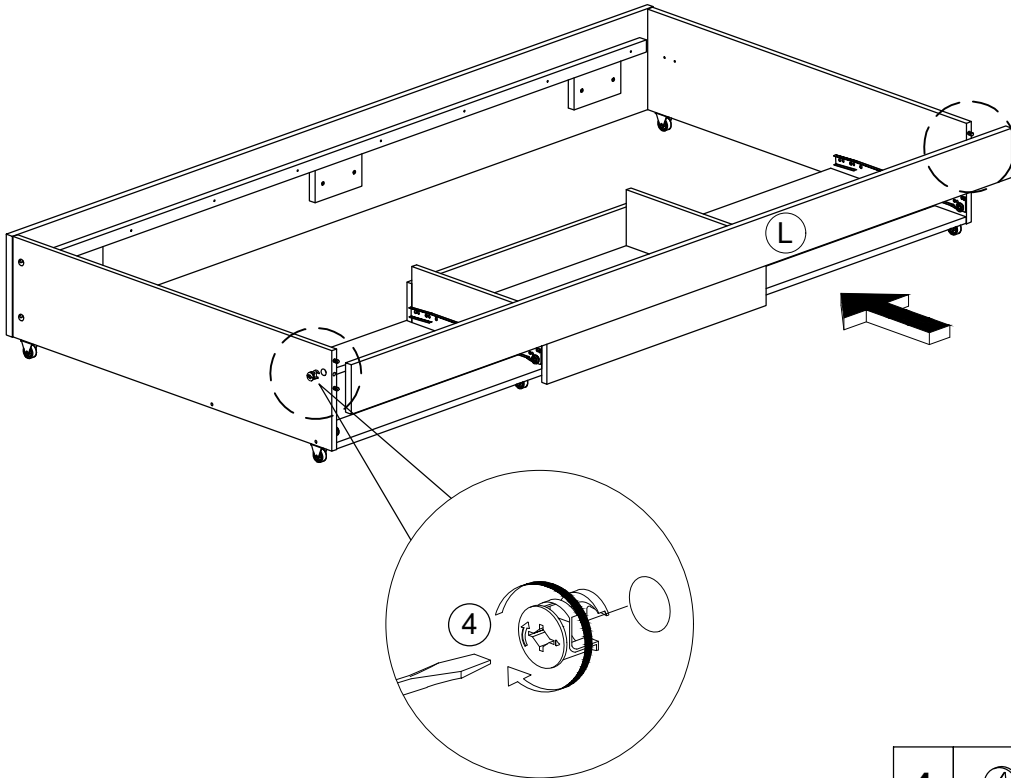
STEP 24




4		4pcs
---	---	------

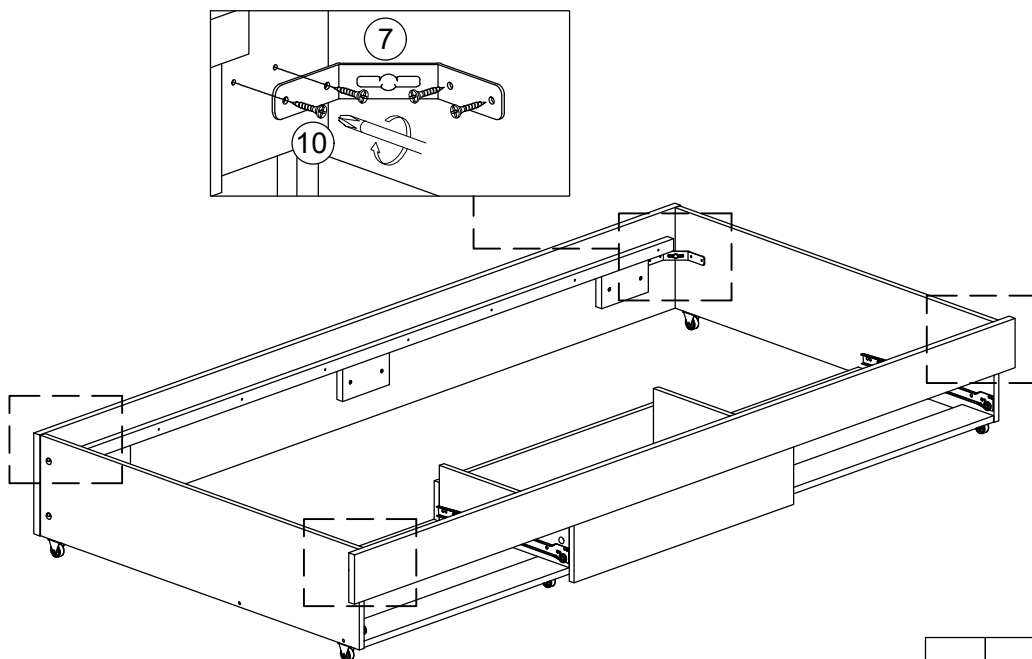
ASSEMBLY INSTRUCTIONS



STEP 25



4		2pcs
---	---	------

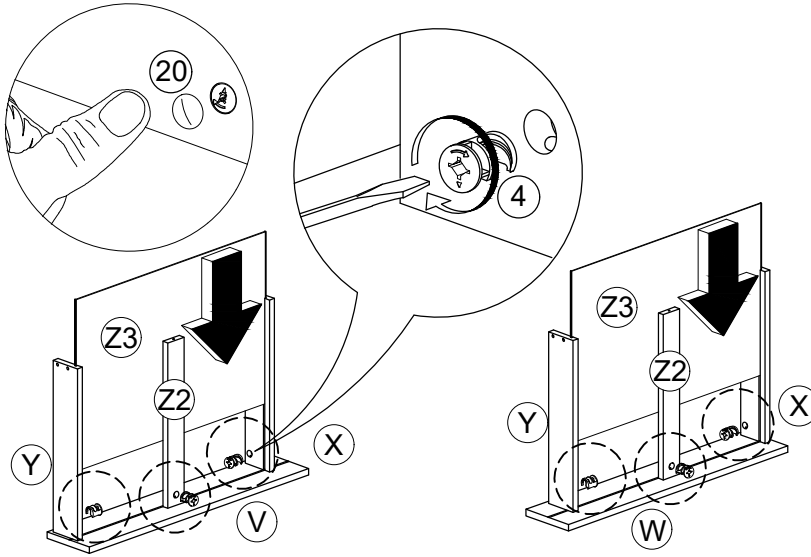
STEP 26



7		4pcs
10		16pcs

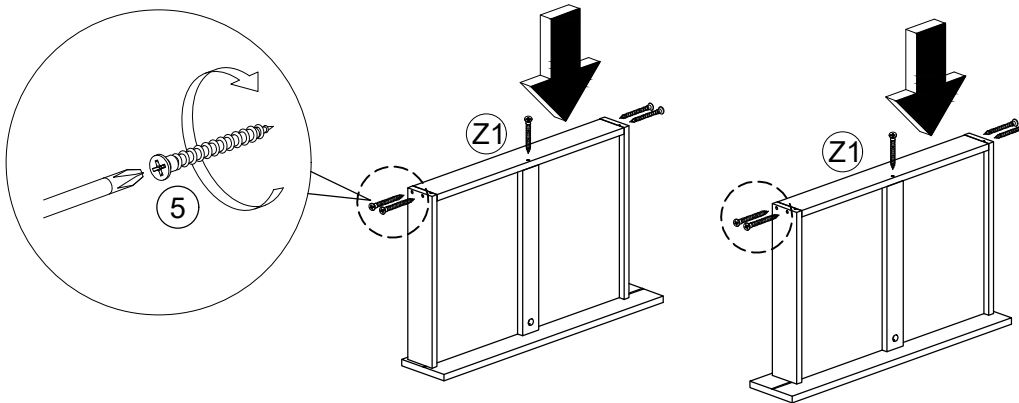
ASSEMBLY INSTRUCTIONS

STEP 27



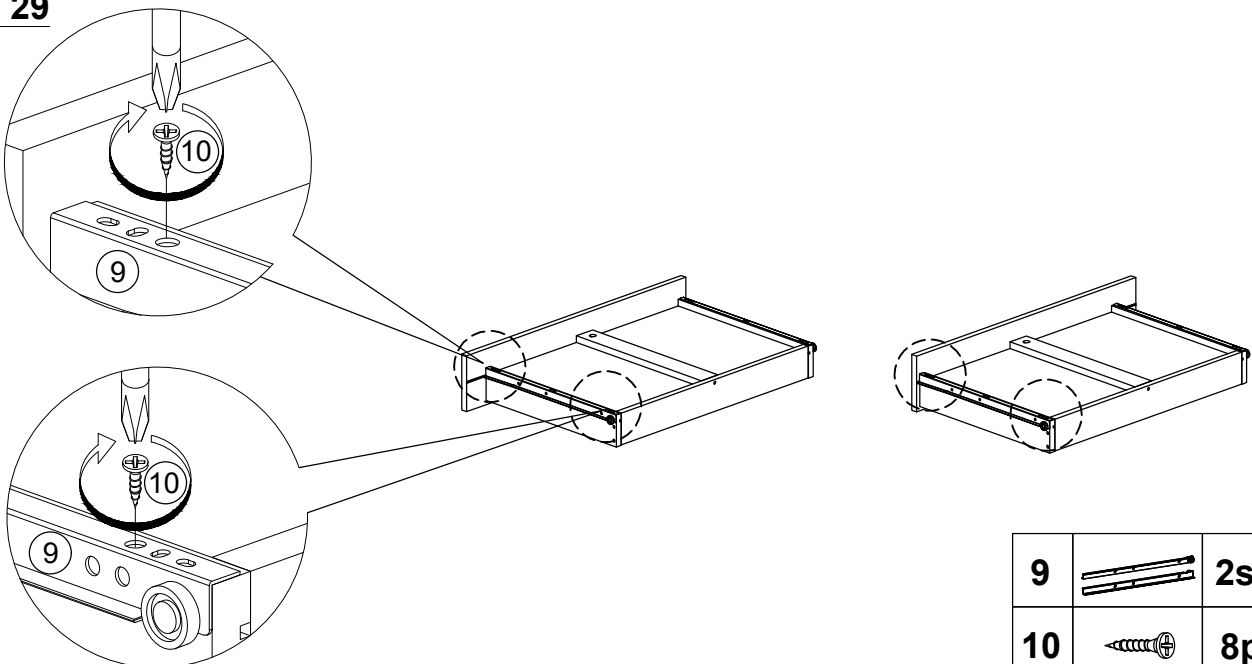
4		6pcs
20		4pcs

STEP 28



5		10pcs
---	--	-------

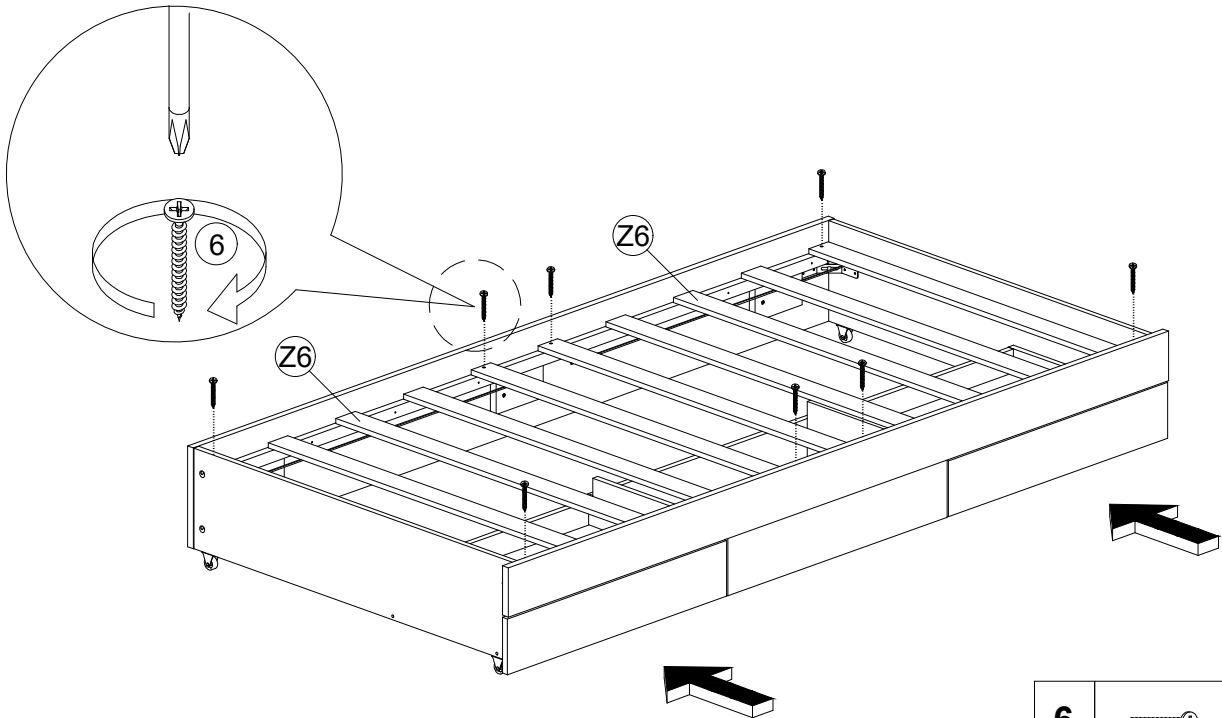
STEP 29



9		2sets
10		8pcs

ASSEMBLY INSTRUCTIONS

STEP 30

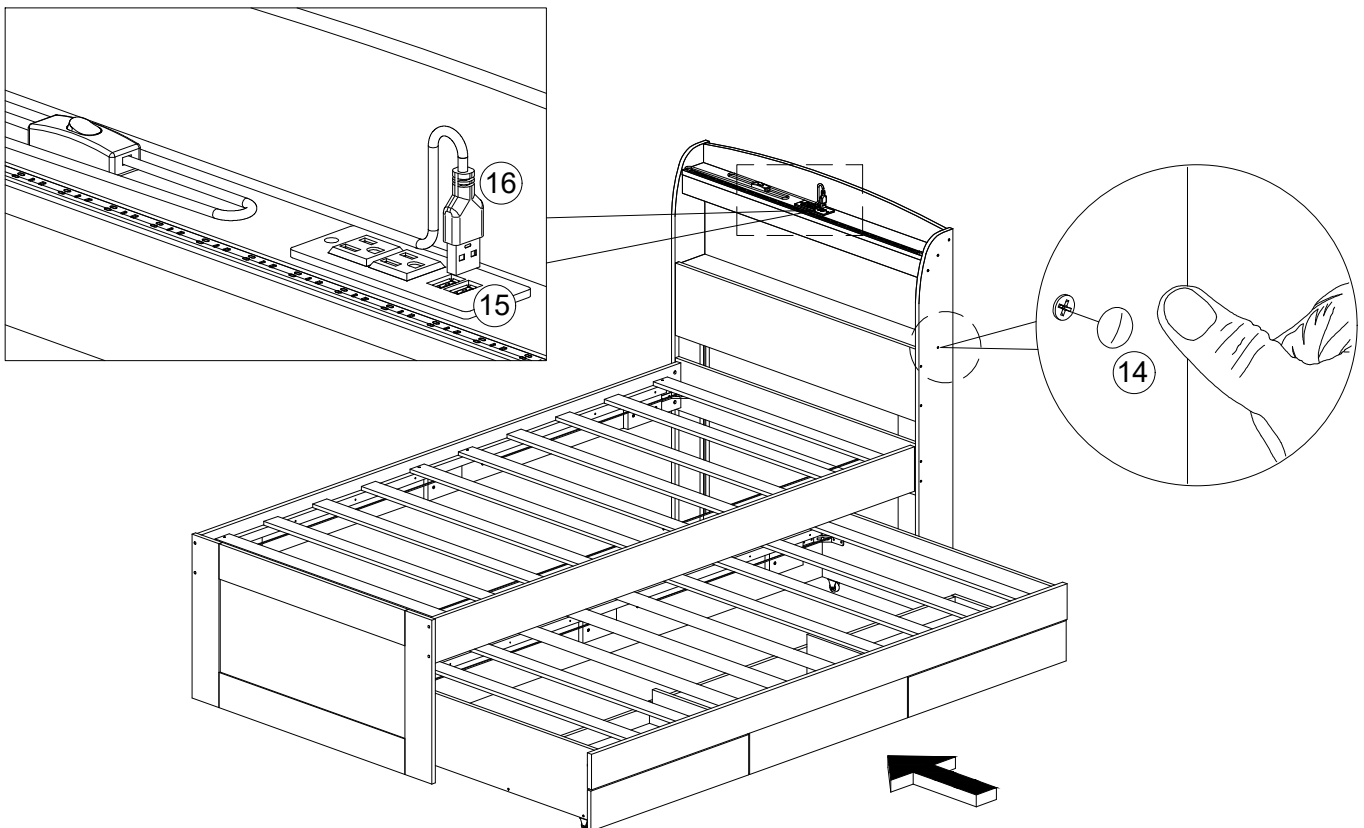


6



8pcs

STEP 31



14



16pcs