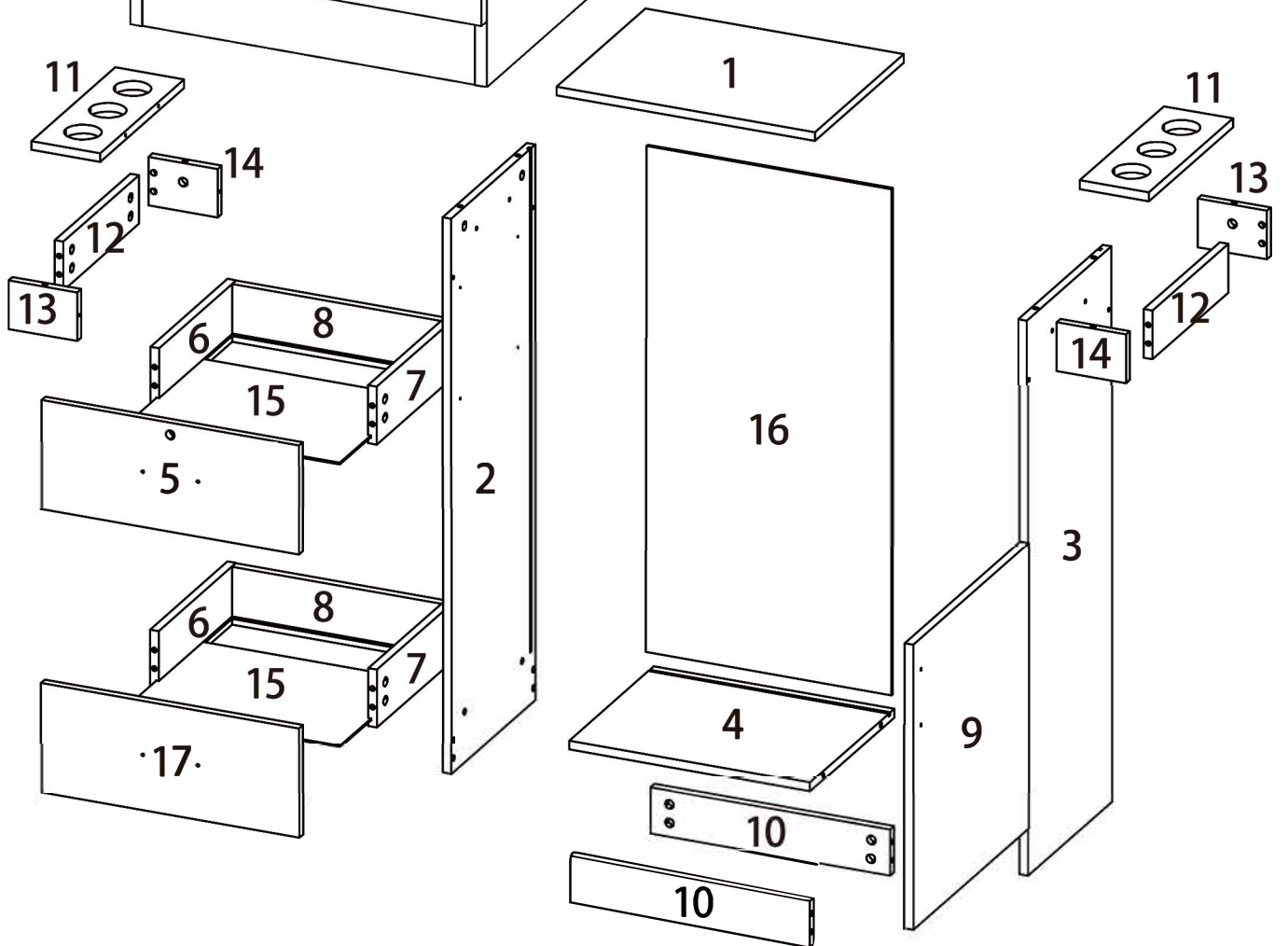
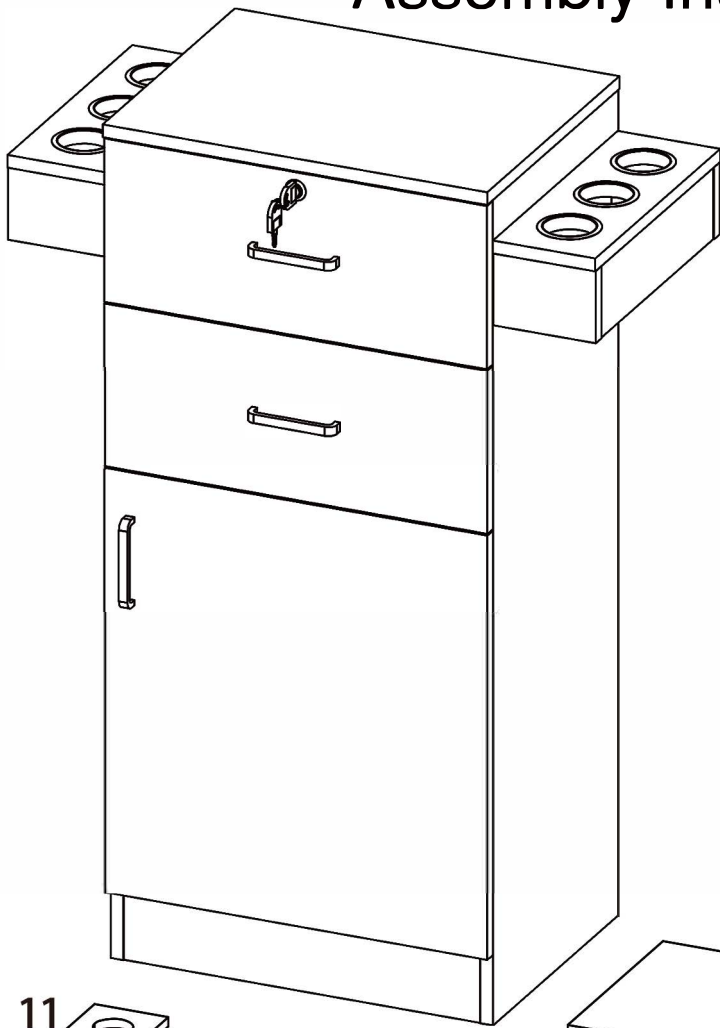
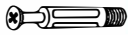









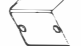








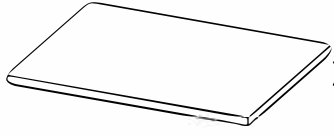


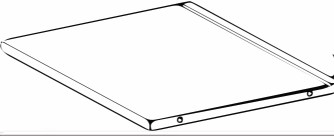

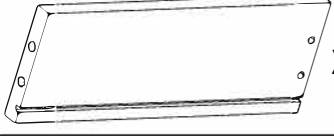
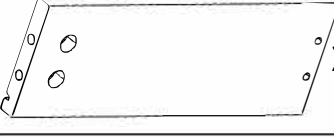


# Assembly Instruction

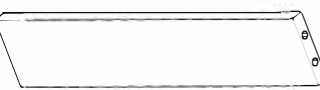
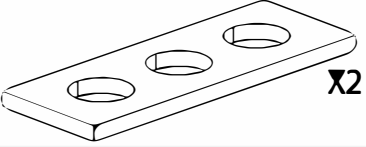
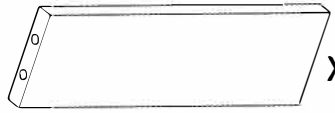
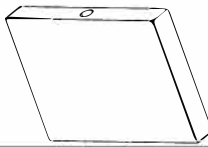
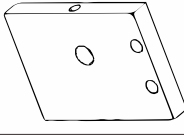
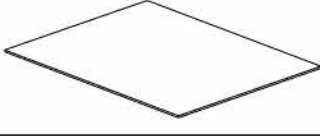




## Accessories list

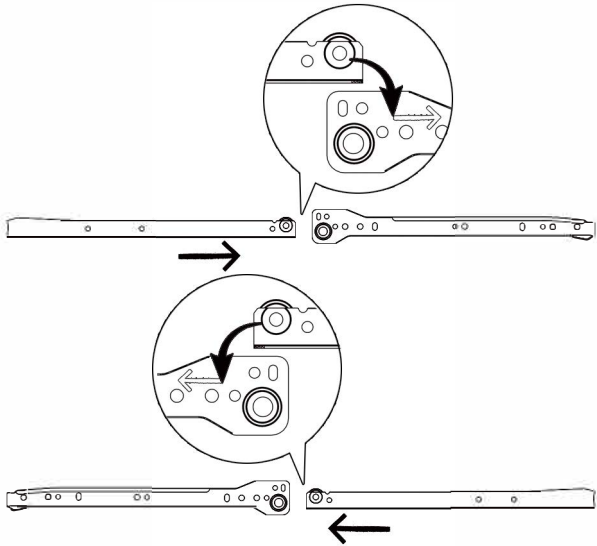
	Parts	Specification	Carton	Pcs		Parts	Specification	Carton	Pcs
<b>A</b>		6×40	1/1	X 36	<b>B</b>		15×11	1/1	X 36
<b>C</b>		12chines	1/1	X 2	<b>D</b>		96/M4×18	1/1	X 3/6
<b>E</b>		M3.5×14	1/1	X 22	<b>F</b>		M5×40/#3	1/1	X 16/1
<b>G</b>		5×Φ12	1/1	X 4	<b>H</b>		Hinge	1/1	X 2
<b>J</b>		Draw lock	1/1	X 1	<b>K</b>		Corner code	1/1	X 2/2
<b>L</b>		Door baffle	1/1	X 1	<b>M</b>		Φ60	1/1	X 6
<b>N</b>		8×40/M4×50	1/1	X 2/2	<b>O</b>		Backplane	1/1	X 4
<b>P</b>		M3×14	1/1	X 14	<b>Q</b>		M3.5×20	1/1	X 4
							21mm	1/1	X 12

Company: (mm)

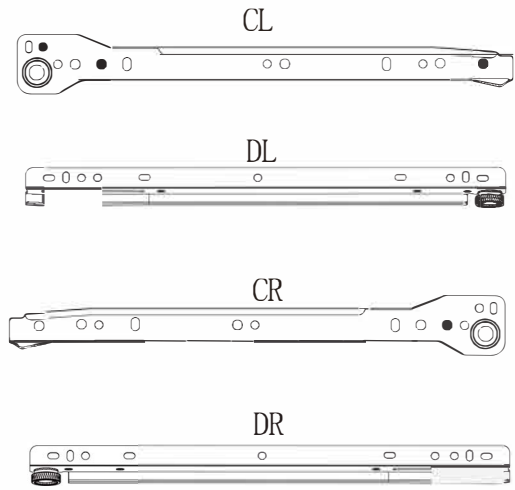
1		X1
2		X1
3		X1
4		X1
5		X1
6		X2
7		X2
8		X2
9		X1

10		X2
11		X2
12		X2
13		X2
14		X2
15		X2
16		X1
17		X1

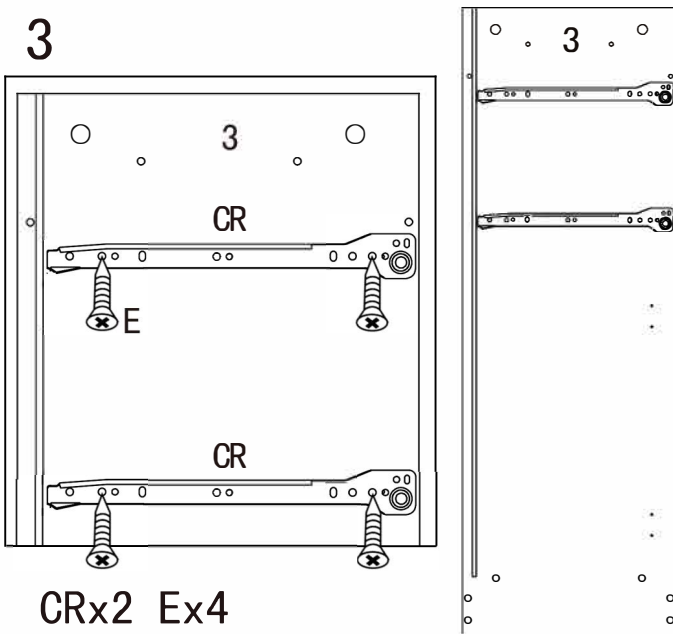
1



2

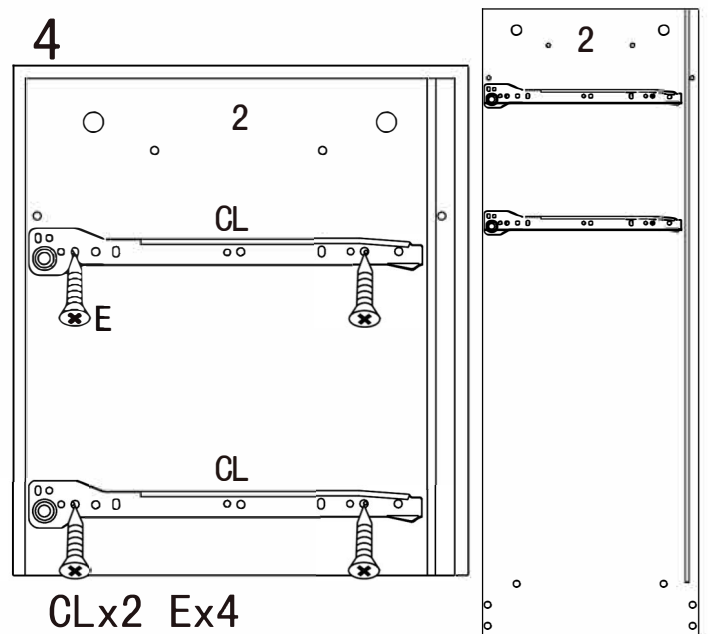


3



CRx2 Ex4

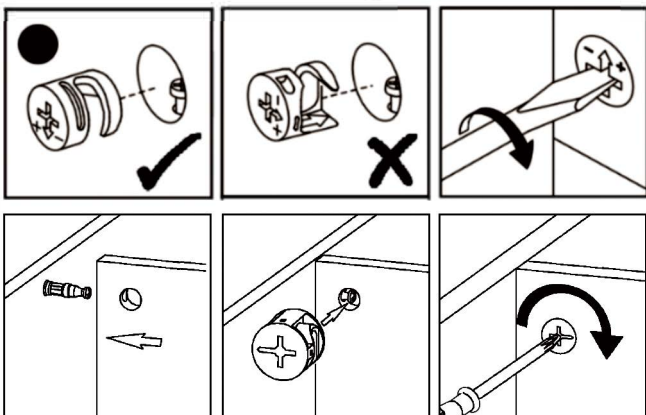
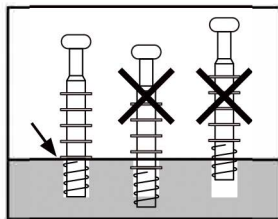
4



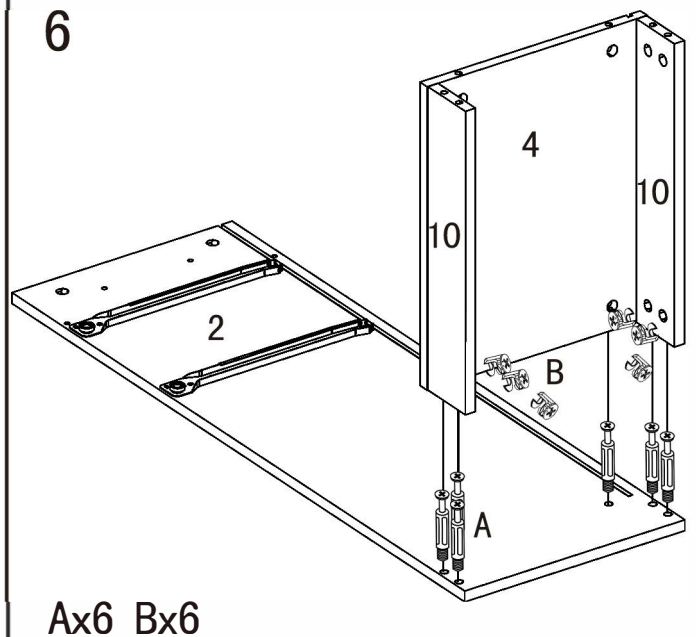
CLx2 Ex4

5

Installation method of three in one rod and buckle

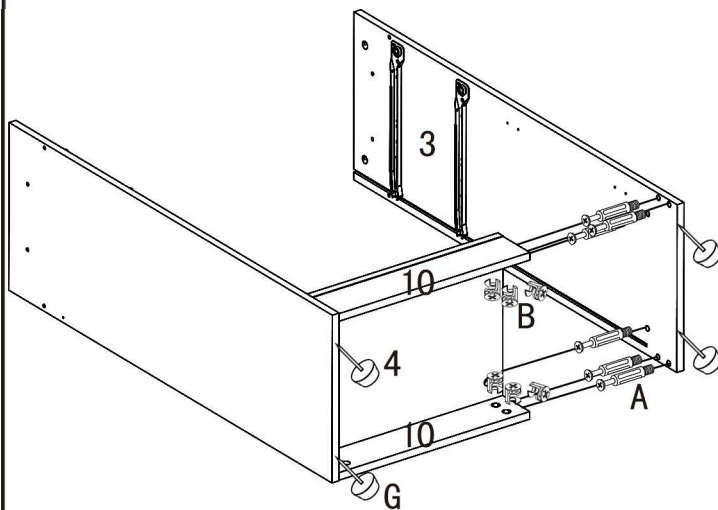


6



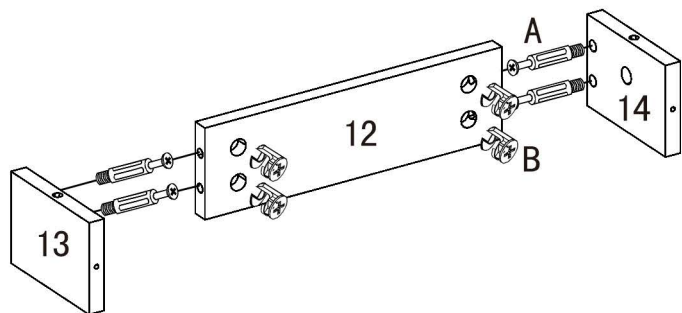
Ax6 Bx6

7



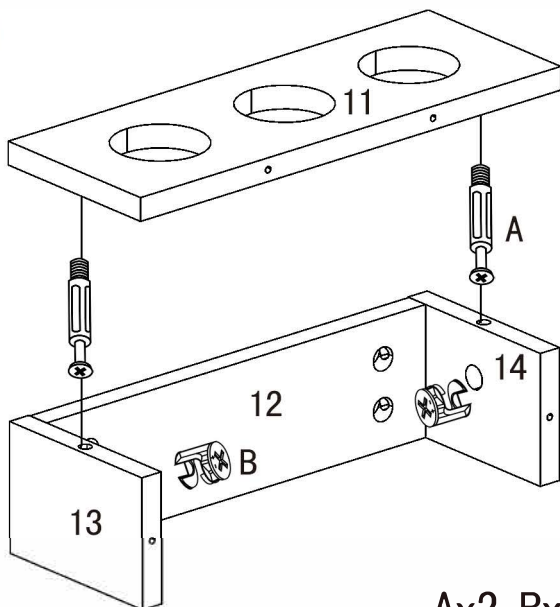
Ax6 Bx6 Gx4

8



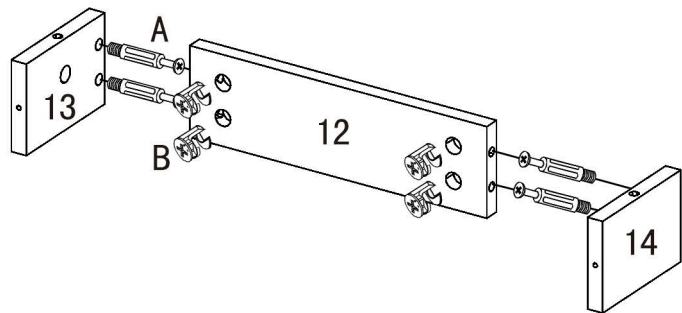
Ax4 Bx4

9



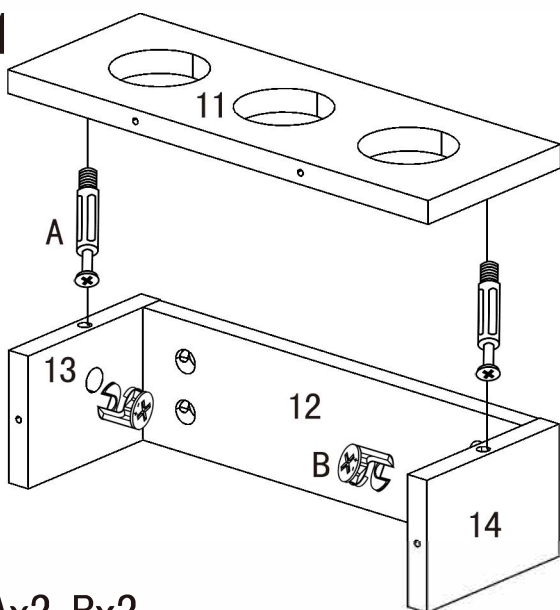
Ax2 Bx2

10



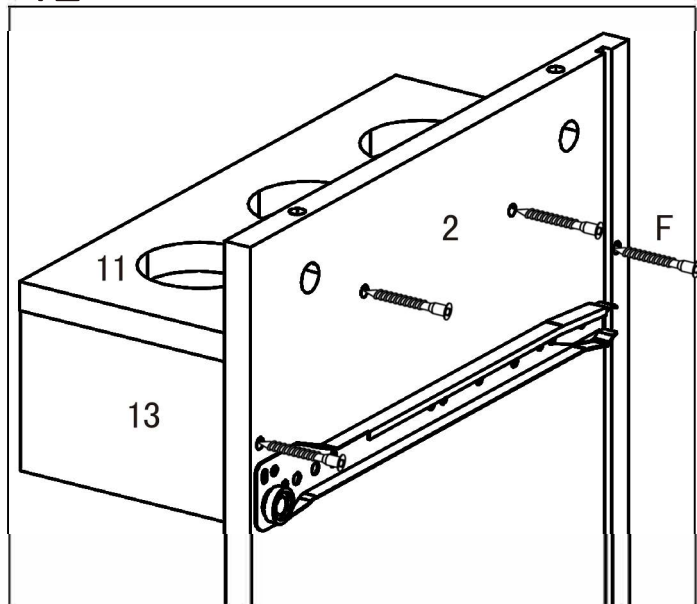
Ax4 Bx4

11

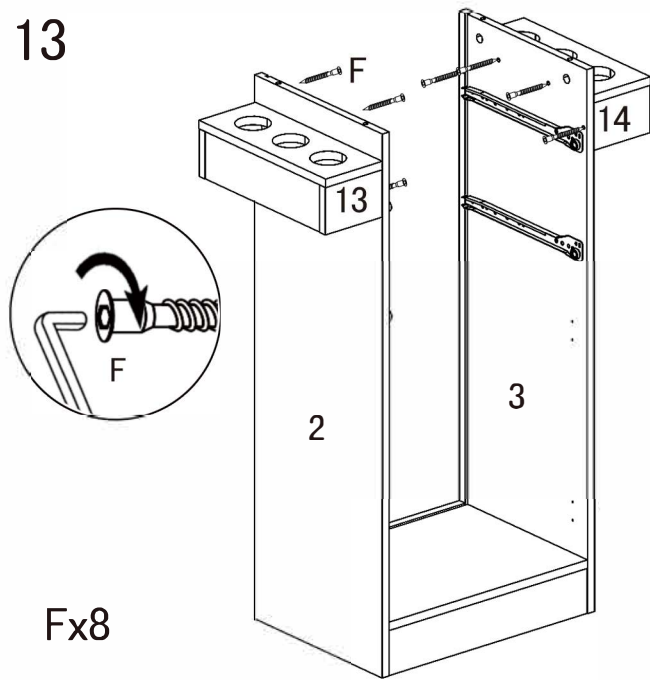


Ax2 Bx2

12

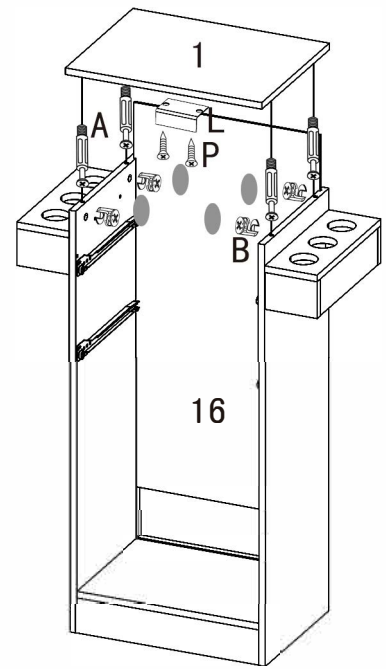


13



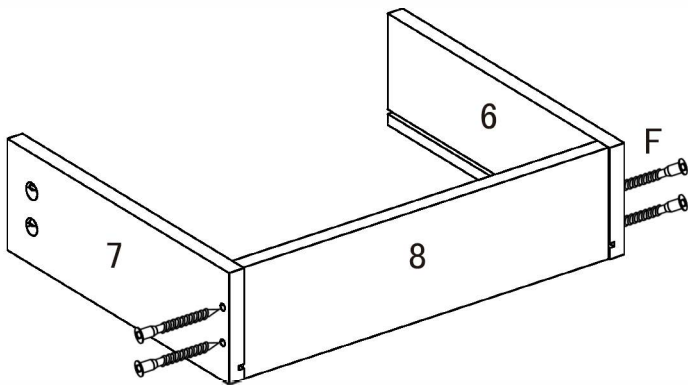
Fx8

14



Ax4 Bx4  
Lx1 Px2

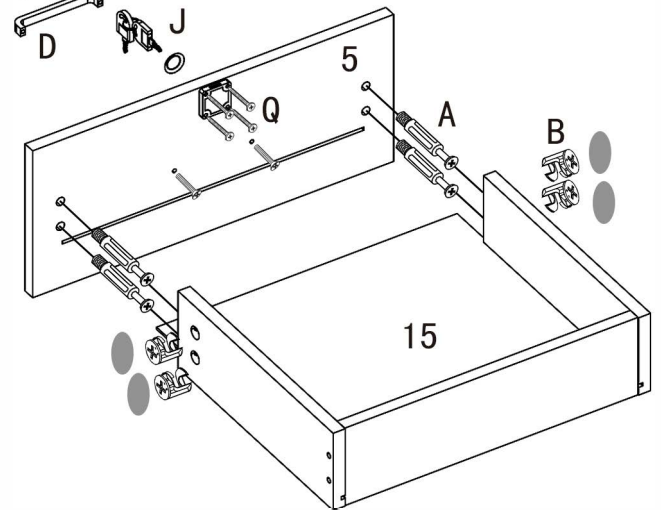
15



Fx8

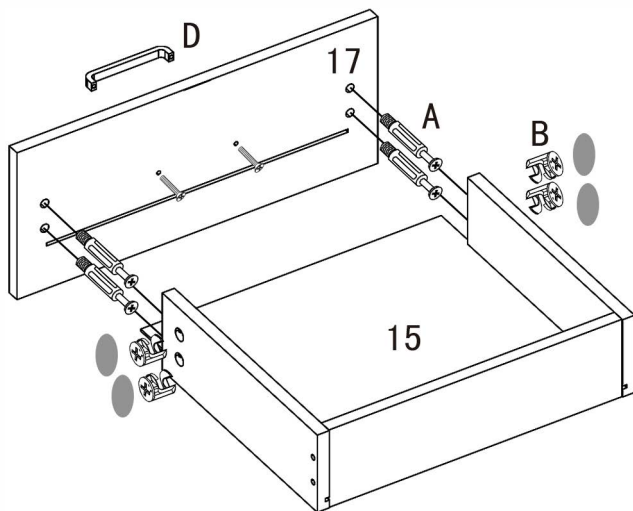
X2

16



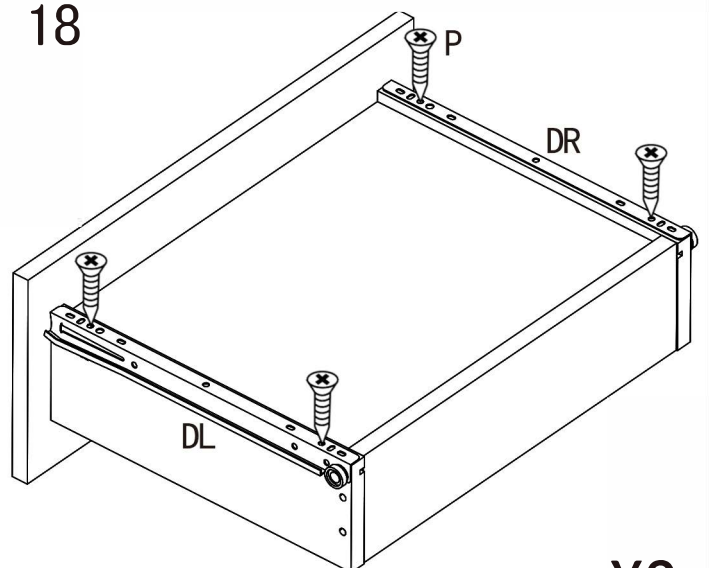
Ax4 Bx4 Dx1 Jx1 Qx4

17



Ax4 Bx4 Dx1

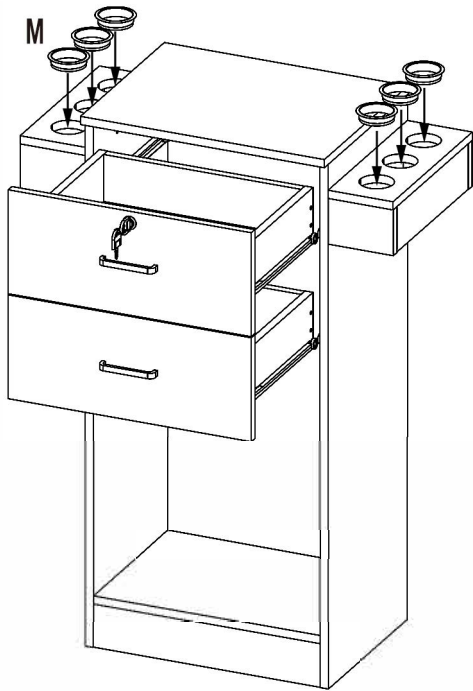
18



DLx2 DRx2 Px8

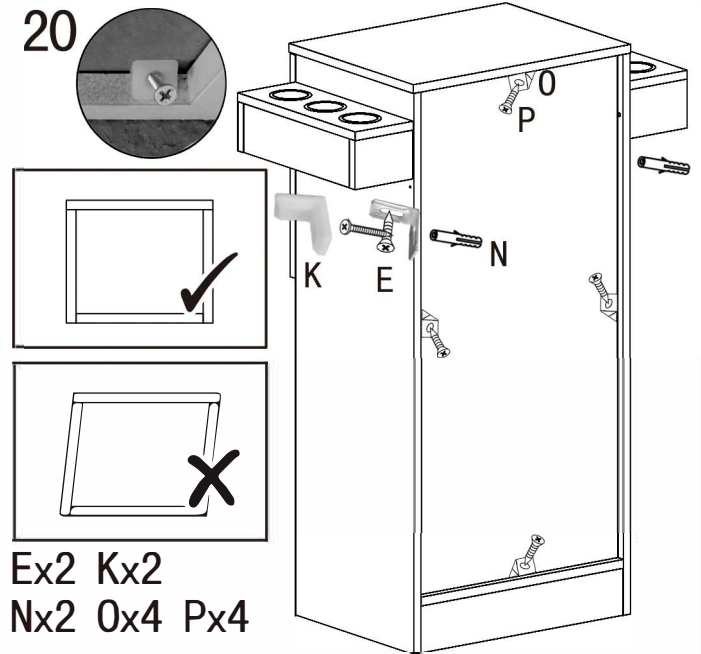
X2

19



Mx6

20

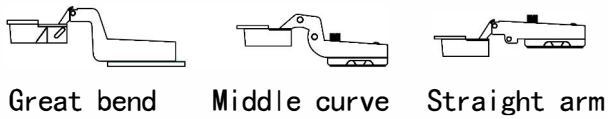
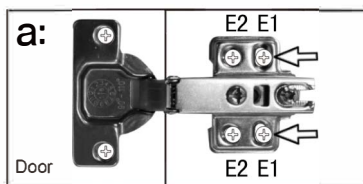


Ex2 Kx2  
Nx2 Ox4 Px4

21

**Hinge adjustment**

To facilitate the adjustment, install the E1 screw first, and then install the E2 screw.

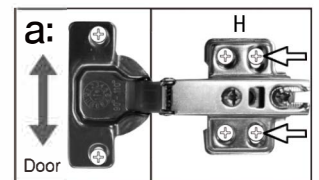
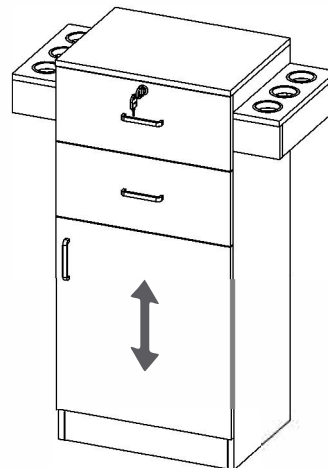


22

**Hinge adjustment**

a: To move doors up or down: loosen screws shown and move doors to suit.

Once doors are aligned, re-tighten Screws H

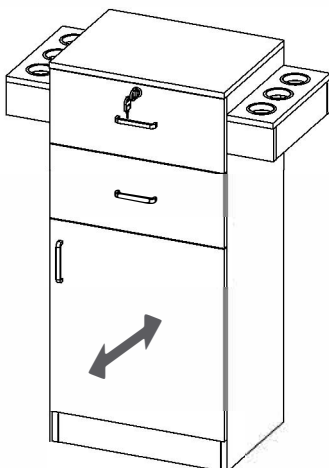


23

**Hinge adjustment**

b: To move doors in or out: loosen screw shown and move doors to suit.

Re-tighten screws

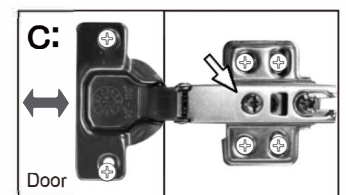
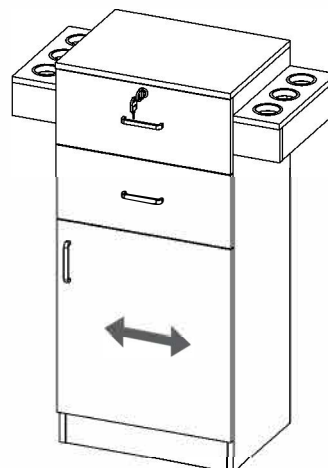


24

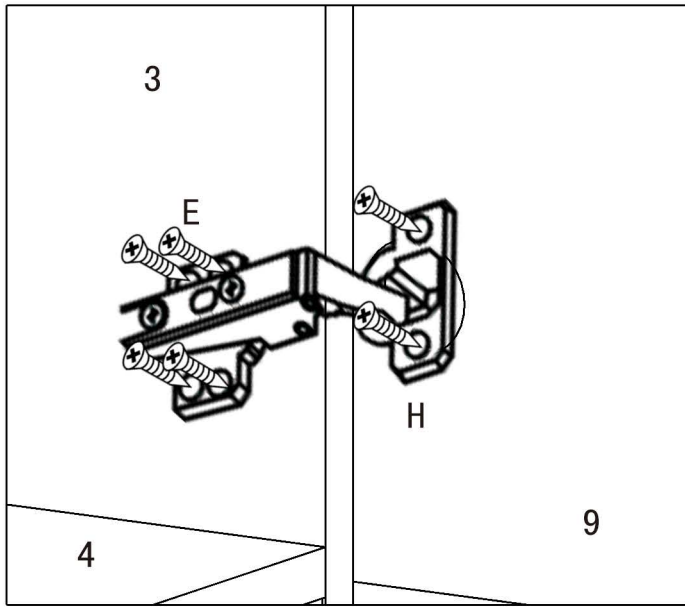
**Hinge adjustment**

c: To move doors left or right: loosen screw shown and move doors to suit.

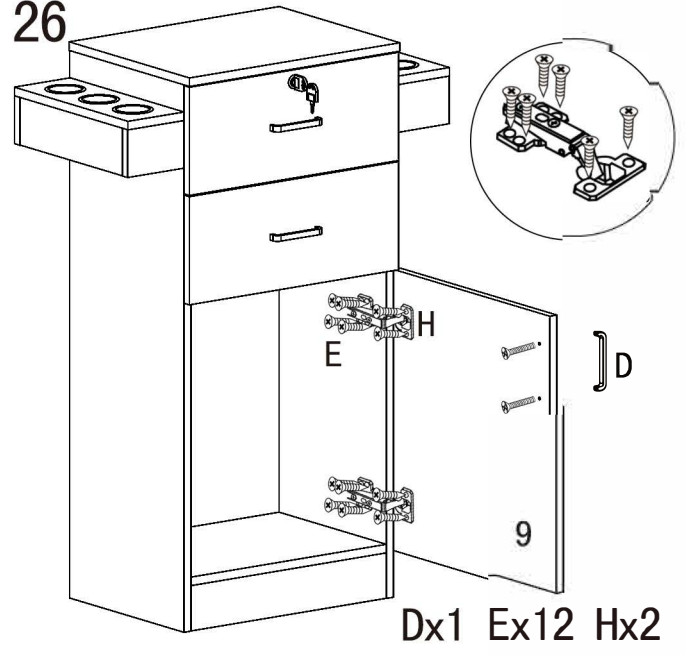
Re-tighten screws



25



26



27

