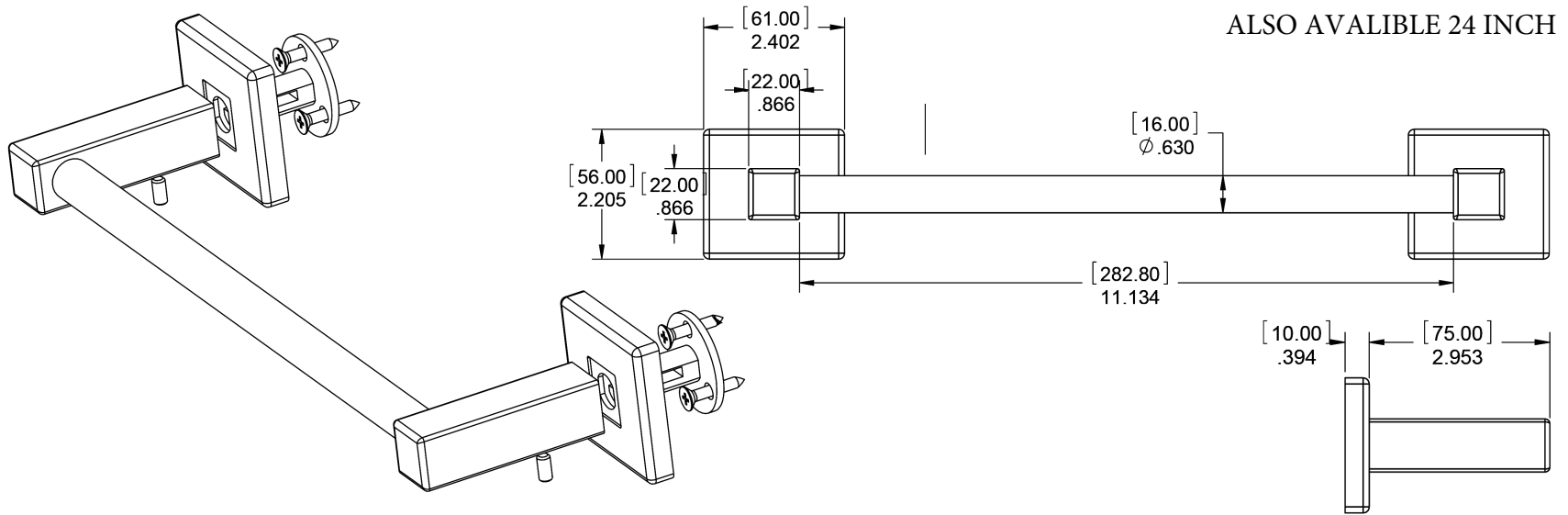


Preferred Bath Accessories LLC  
1031 E Mountain St. Kenersville, NC 27284  
PH: 888-315-8816 FAX: 866-496-8122  
www.preferredbathaccessories.com



PC1012 Polished Chrome  
12" Towel Bar  
TECHNICAL DATA



**Installation:**

Attach mounting bracket to wall with ST4.2\*35 round head screws. Slide flange and post over bracket and tighten M5\*12 set screw.

**Materials:**

- Zinc Die Cast
- Bar – Stainless Steel
- 4 - ST4.2\*35 round head screws
- 2- M5\*12 set screws
- 2 - Drywall Anchors

**Wood blocking Preferred**



**Limited Warranty**

Preferred Bath Accessories LLC. warrants to the purchaser that the product will be free from defects in material and workmanship. If the product does not comply with this warranty, Preferred Bath Accessories LLC. will repair or replace the product or, at Preferred Bath Accessories LLC.'S option, refund the purchase price. The limited warranty period is for the lifetime of the product. Limitations on the Warranty: The warranty does not cover, normal wear and tear, product abuse, neglect, improper installation or maintenance. Purchaser Requirements: If this product does not meet Preferred Bath Accessories LLC.'s warranty, return the product (postage prepaid) to the place of purchase with proof of purchase and a written claim briefly describing the defect. You may be required to provide other information or evidence of the defect.