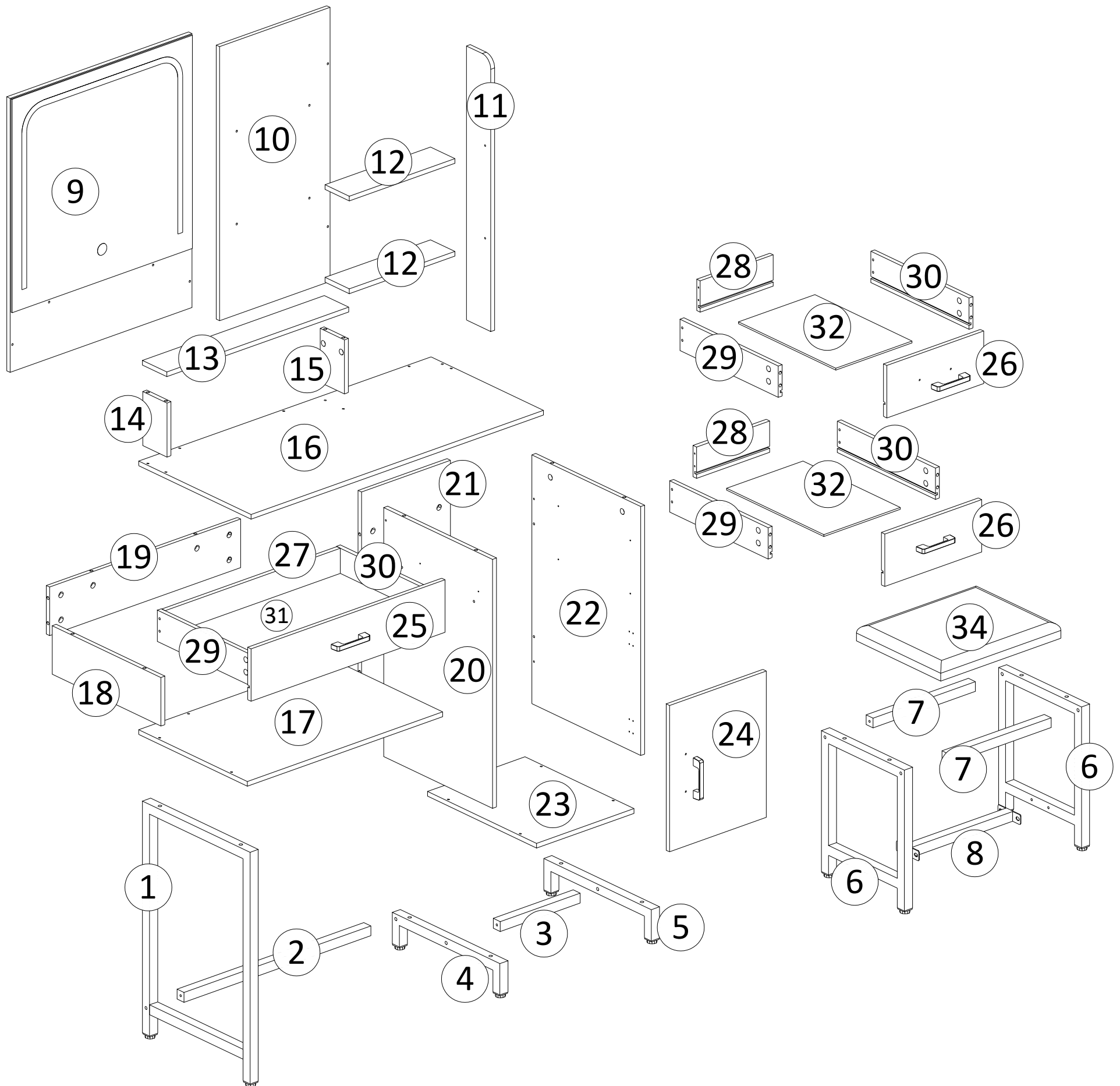
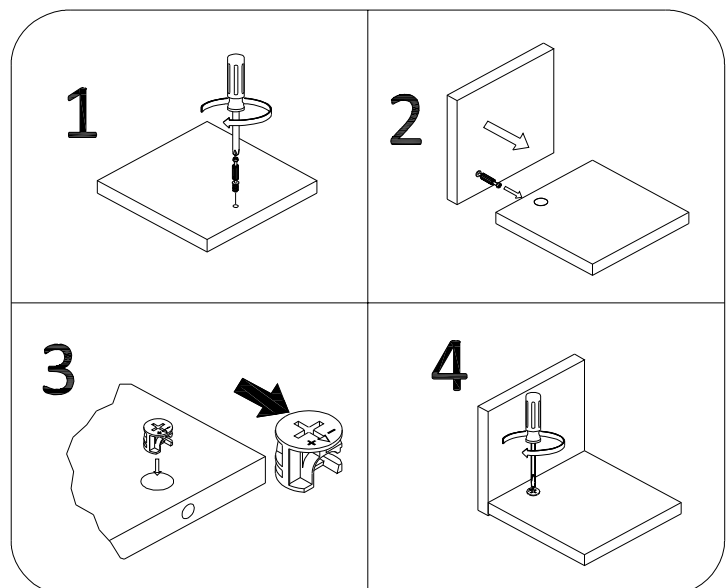
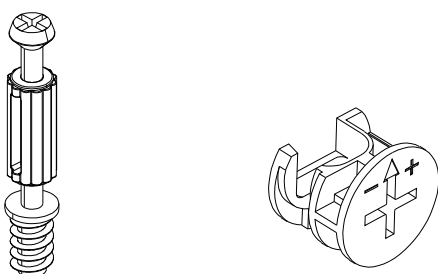


A M5x42 34 PCS	B Ø15x10 34 PCS	C M3.5x12 50 PCS	D M5x40 42 PCS	E M6x12 4 PCS	F M6x35 10 PCS	G M6x45 8 PCS	H 8347-96 4 PCS	I M4x16 8 PCS
J ZW 2 PCS	K Ø4x63 1 PCS	L Ø6x40 4 PCS	M L47xW38 3 PCS	N 1 PCS	O M3.5x14 2 PCS	P M6xØ16x1.2 6 PCS	4# 1 PCS	 1 PCS

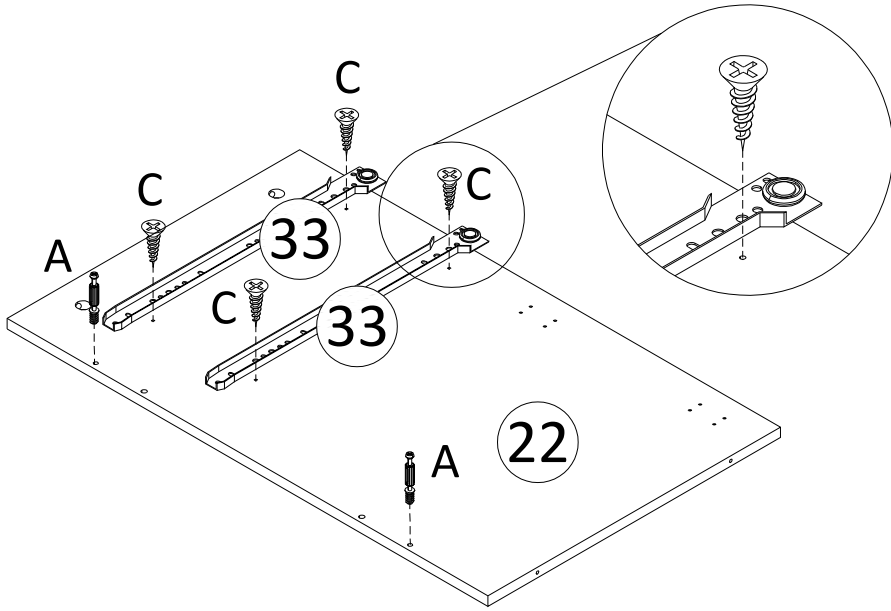


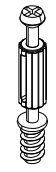

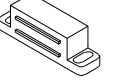
Cam Lock Fastening System

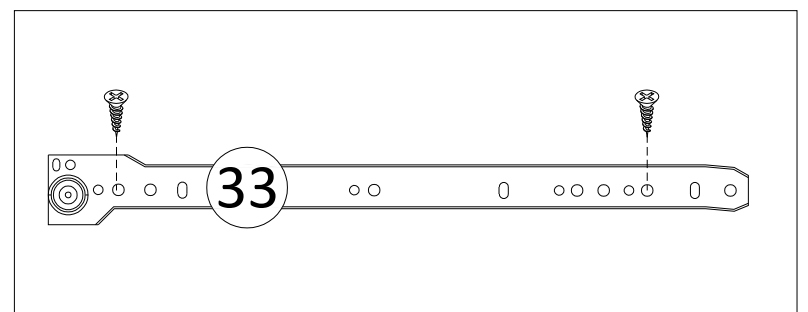
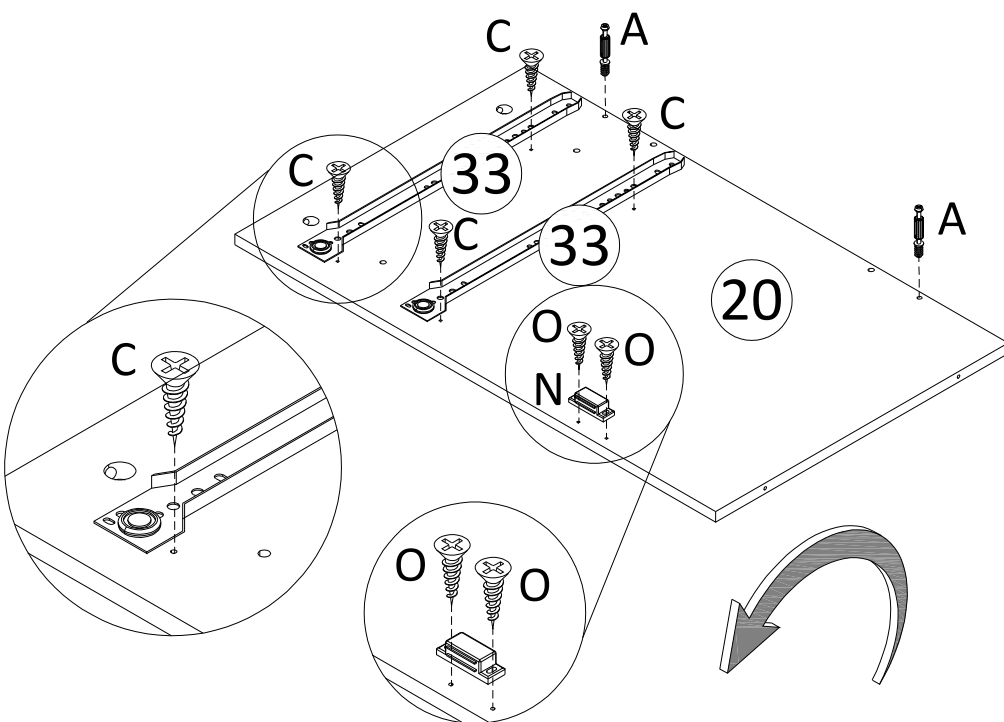
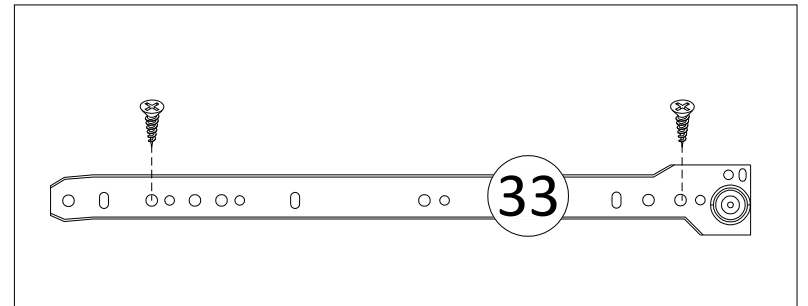
This Cam Lock Fastening System will be used throughout the assembly process




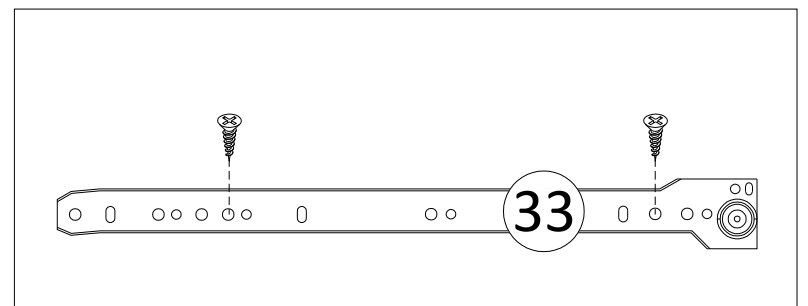
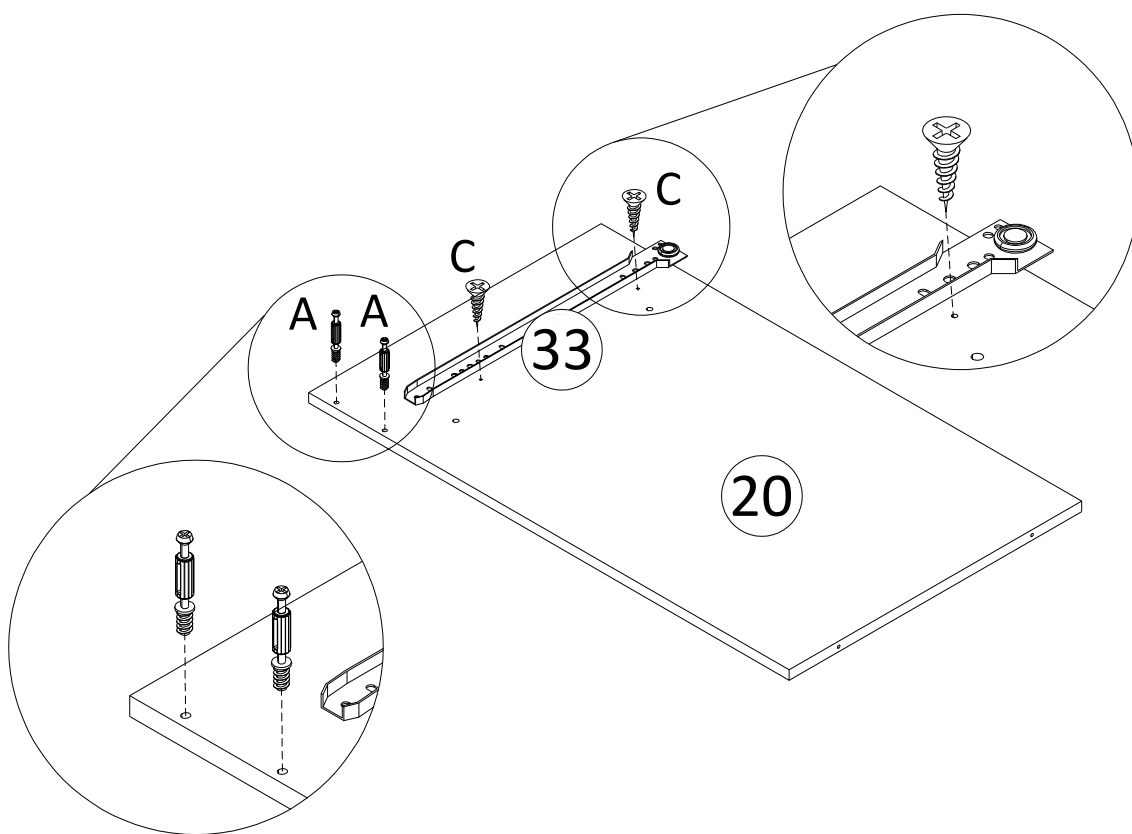
1

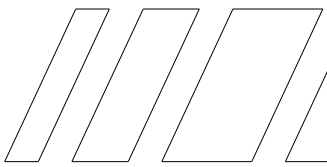


A M5x42	C M3.5x12	N
		
6 PCS	10 PCS	1 PCS



O M3.5x14

2 PCS





2

B Ø15x10

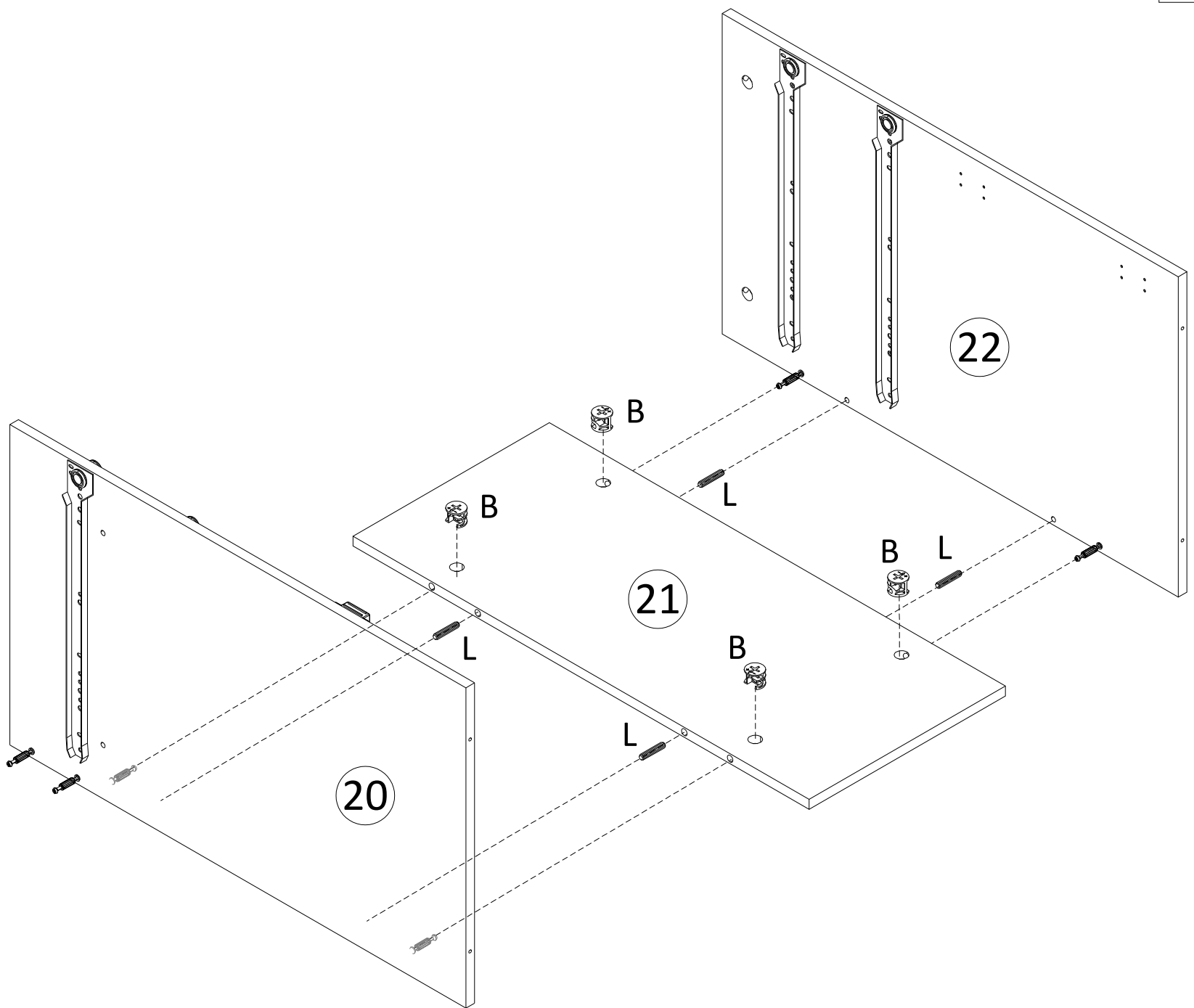


4 PCS

L Ø6x40

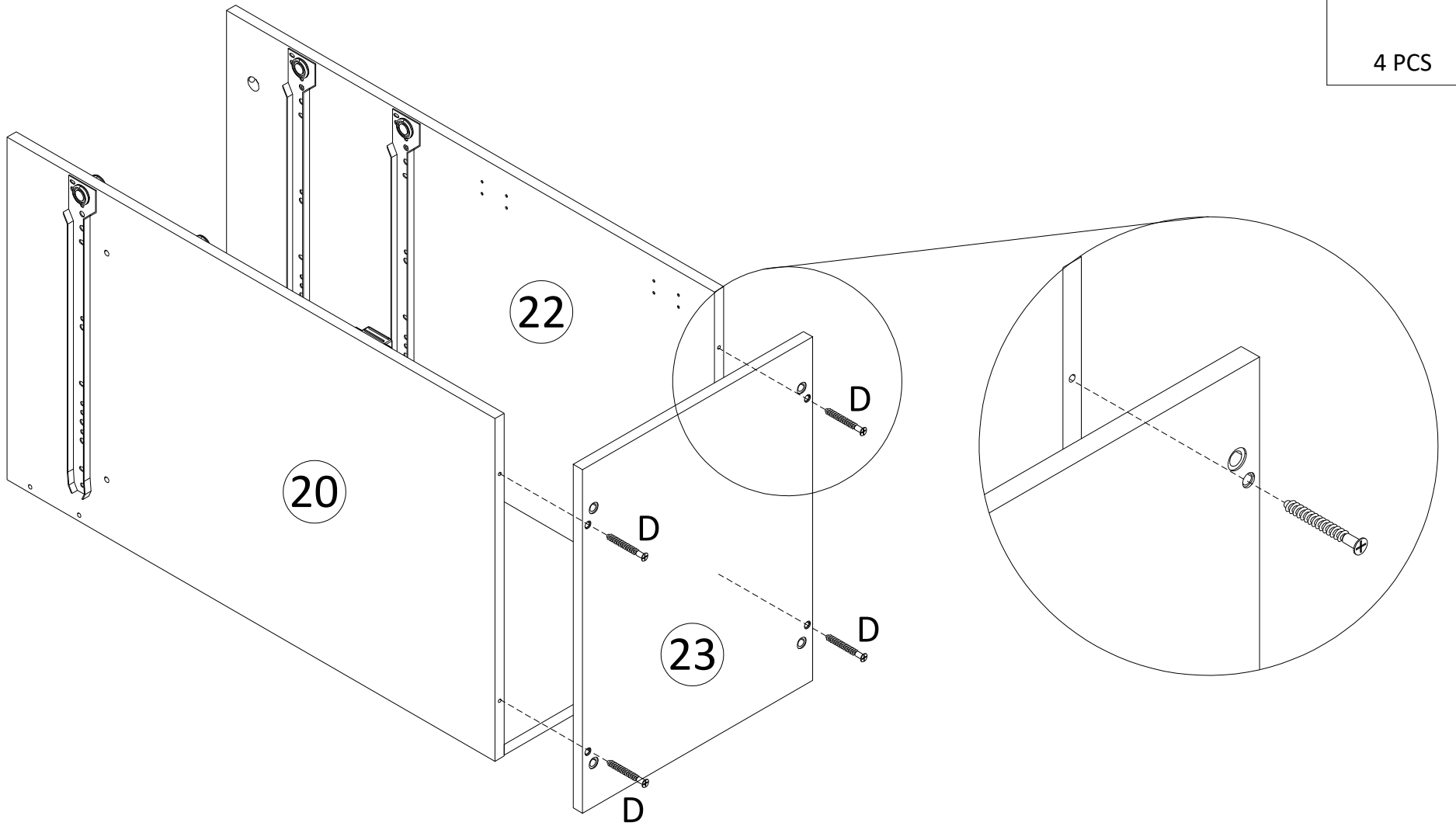


4 PCS



3

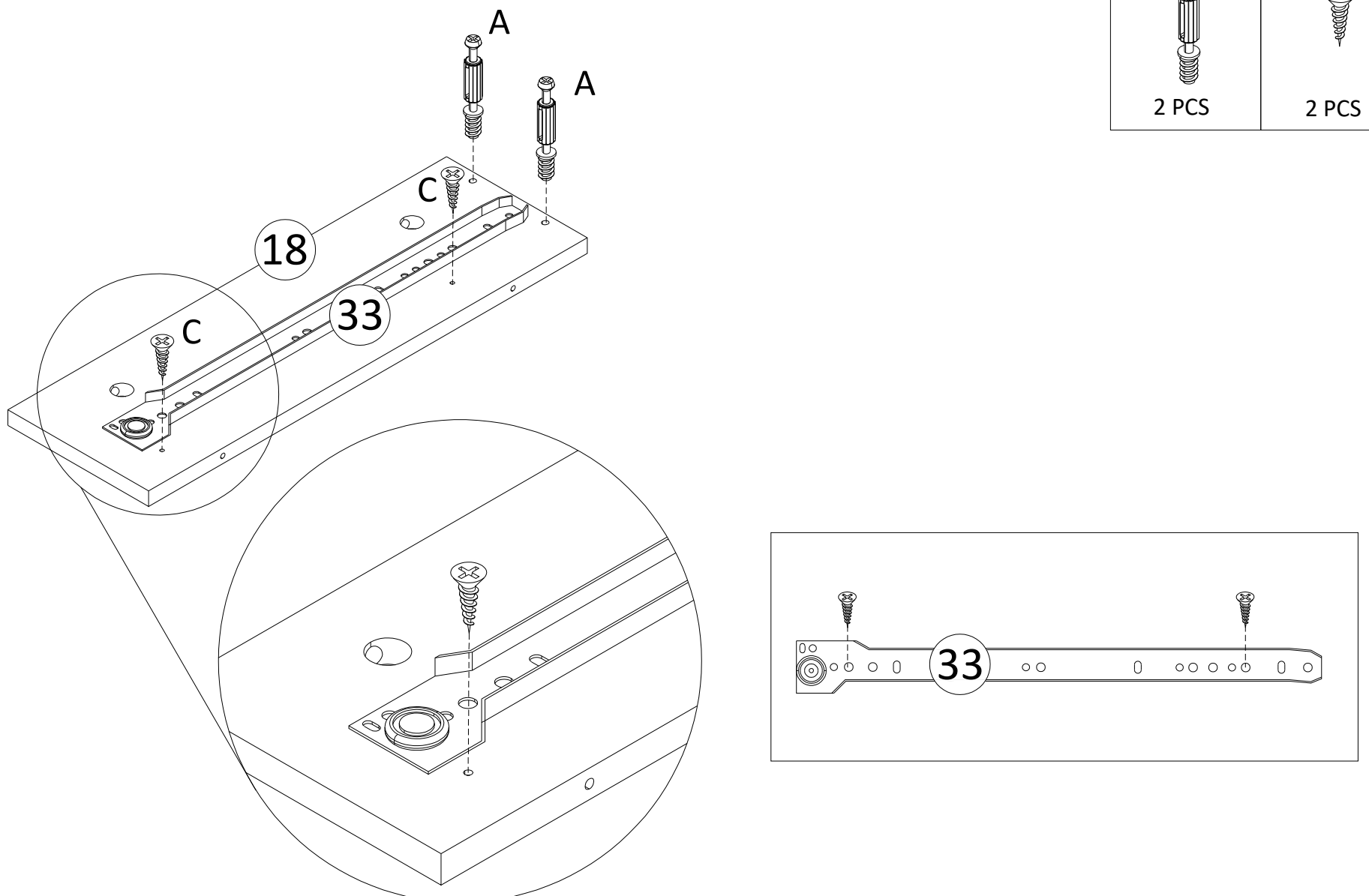
D M5x40
4 PCS



4

A M5x42
2 PCS

C M3.5x12
2 PCS

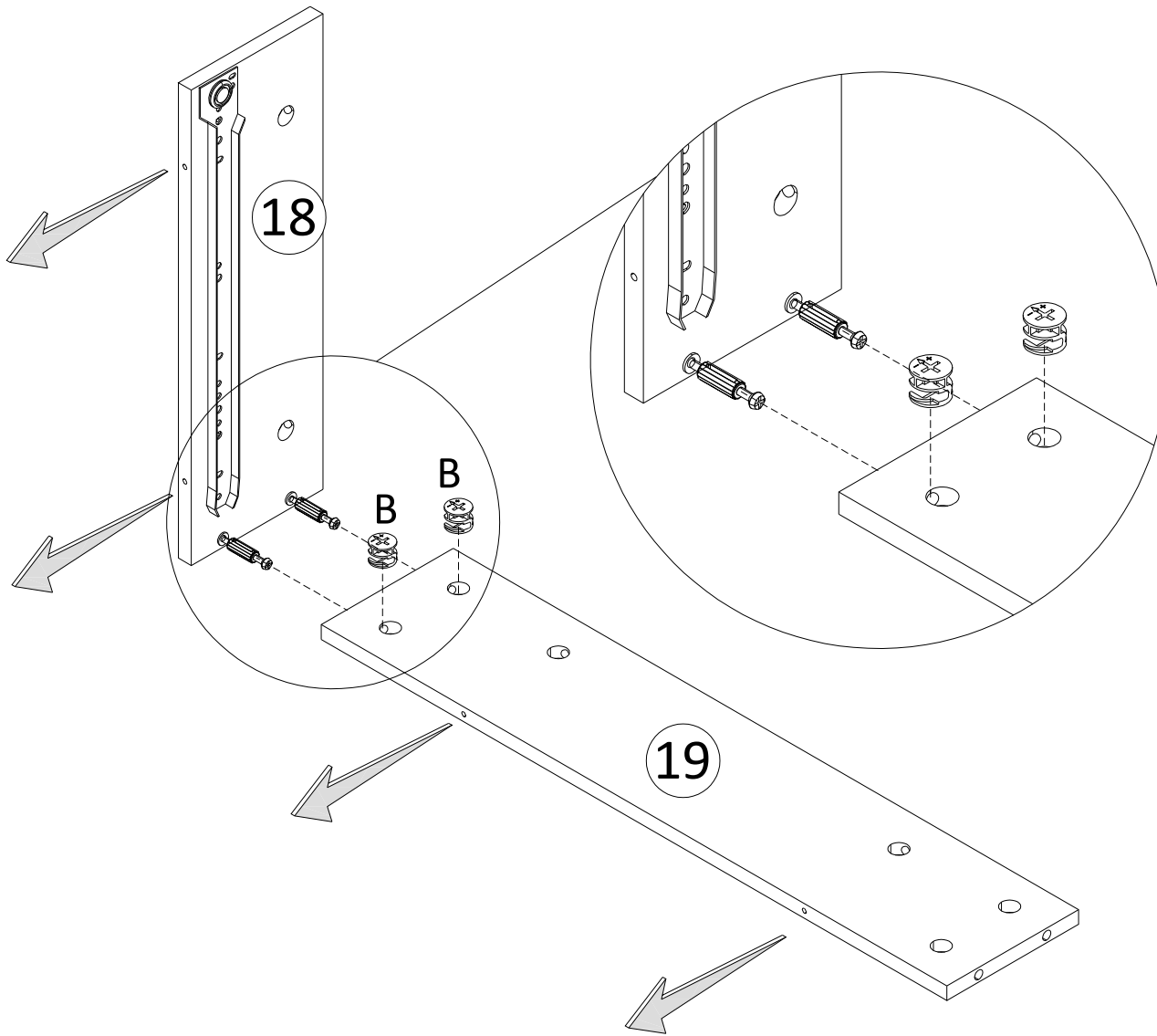


5

B Ø15x10



2 PCS

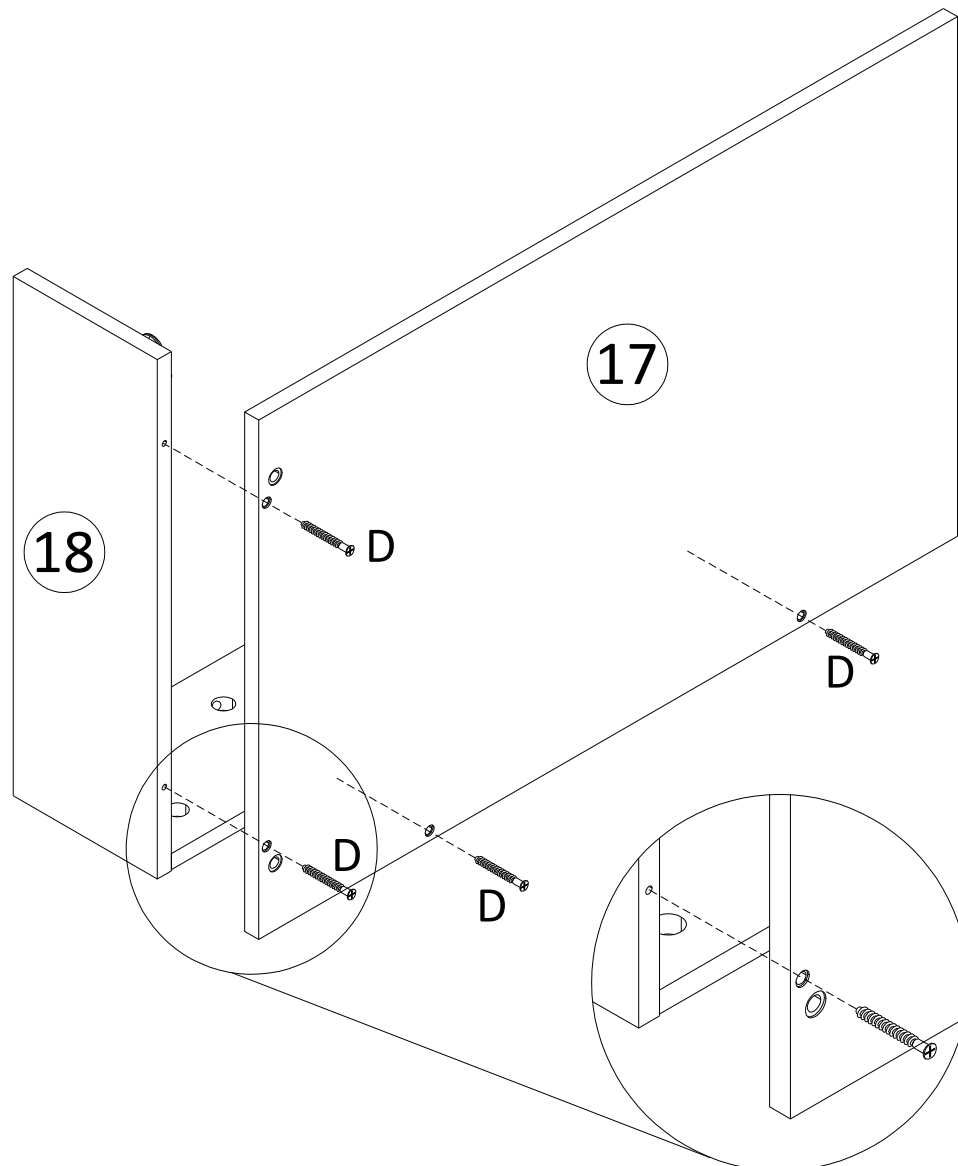


6

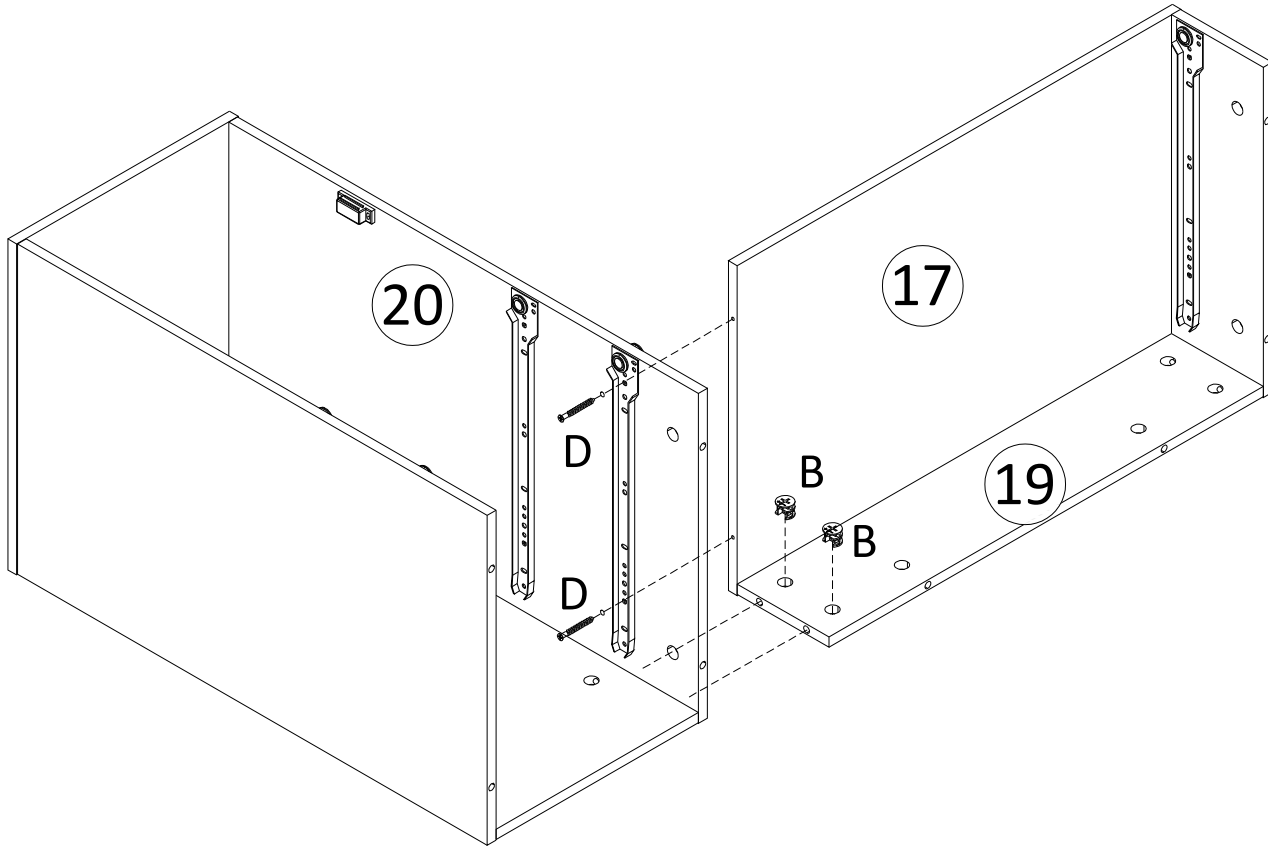
D M5x40



4 PCS



7



D M5x40



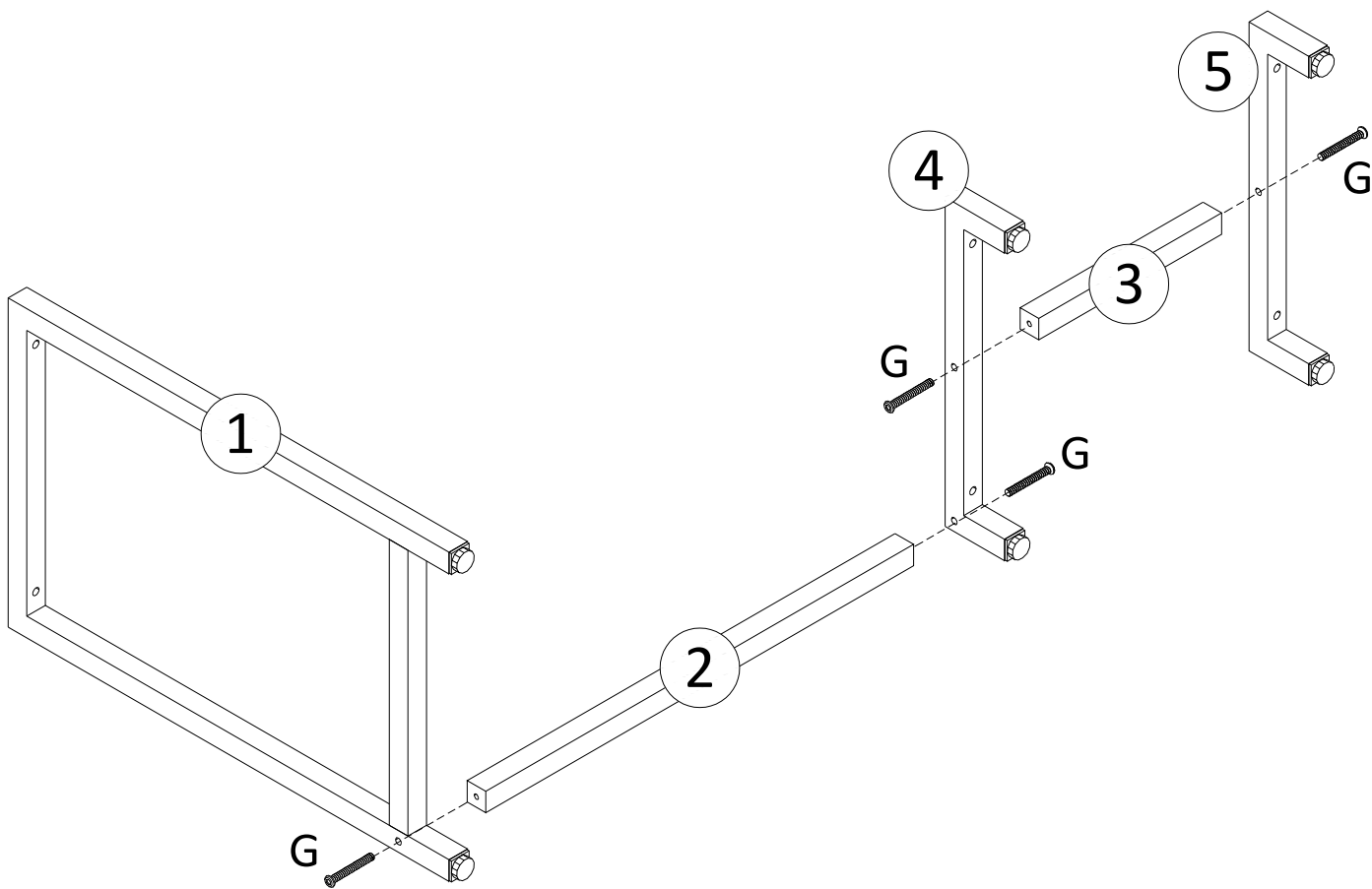
2 PCS

B Ø15x10



2 PCS

8

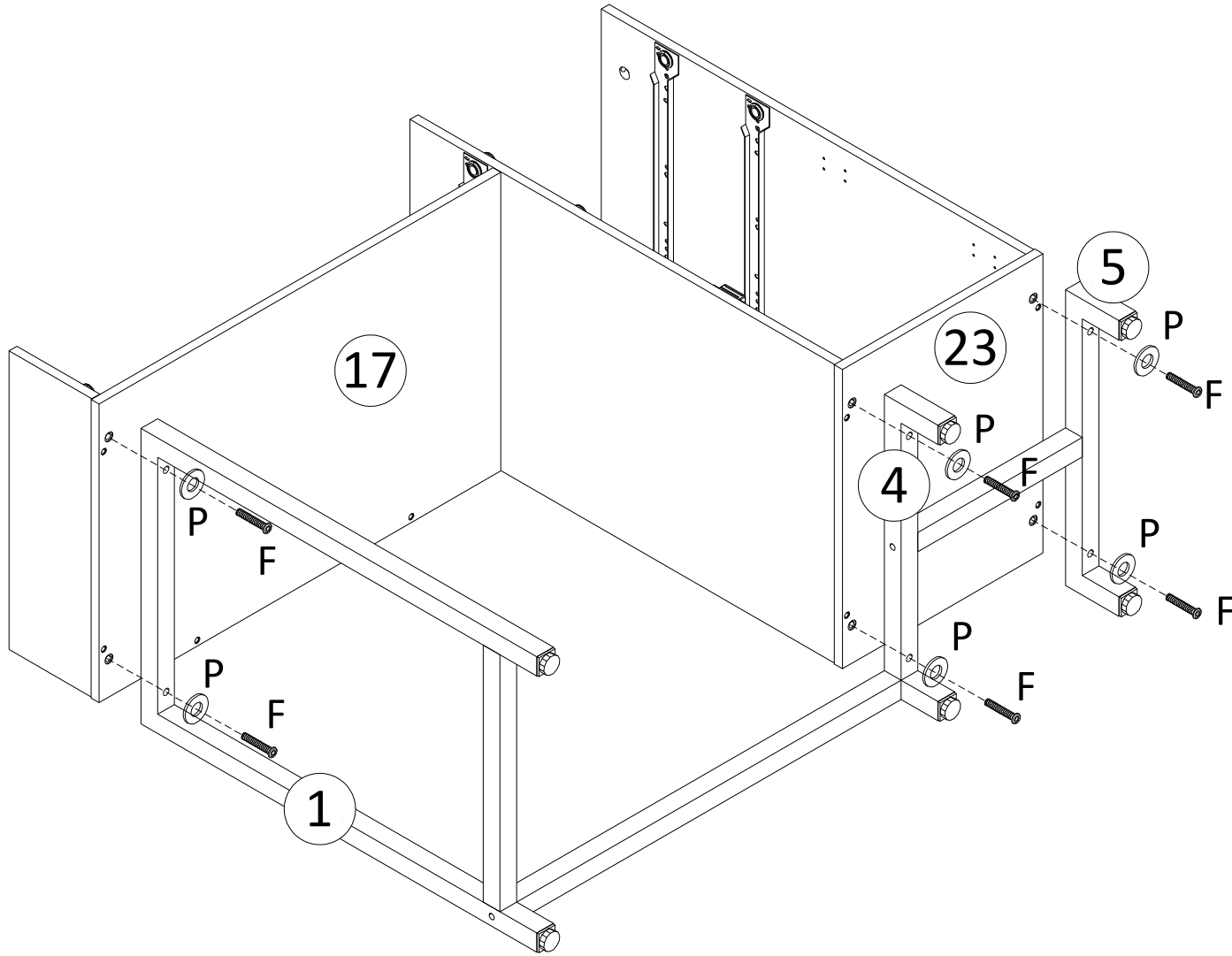


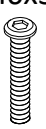

G M6x45



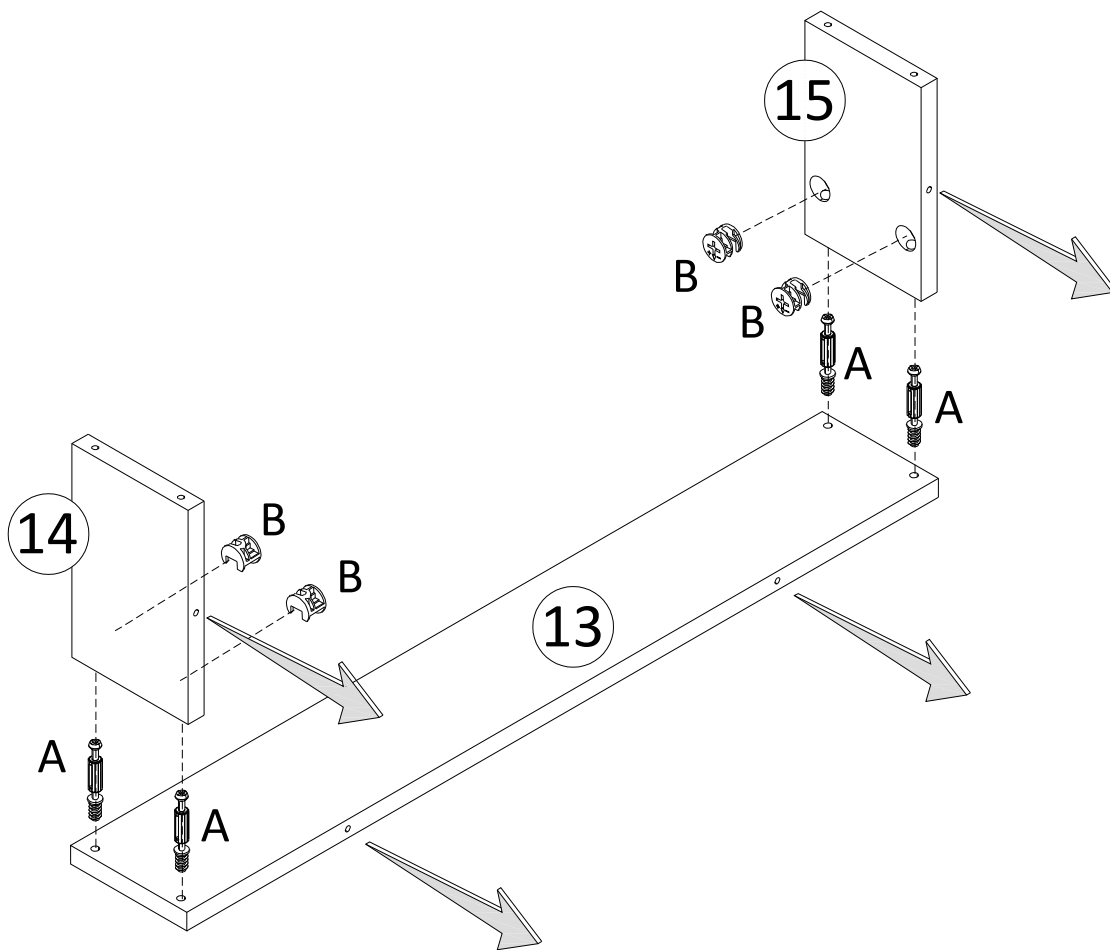
4 PCS

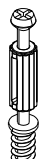

9



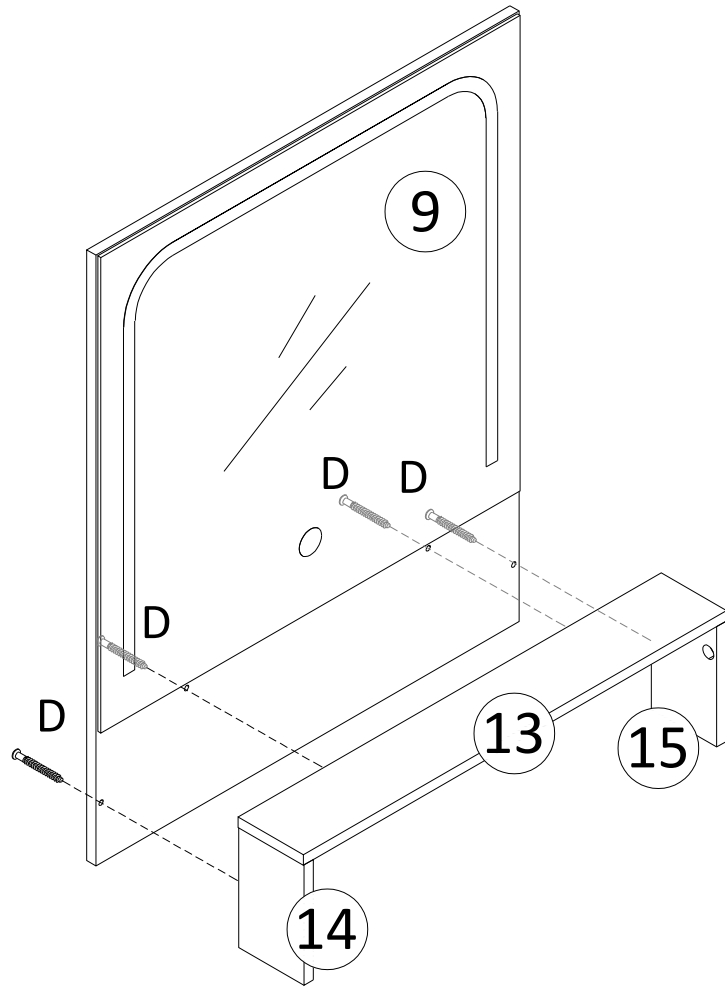
- F M6x35

- 6 PCS
- P M6xØ16x1.2

- 6 PCS

10



- A M5x42

- 4 PCS
- B Ø15x10

- 4 PCS

11

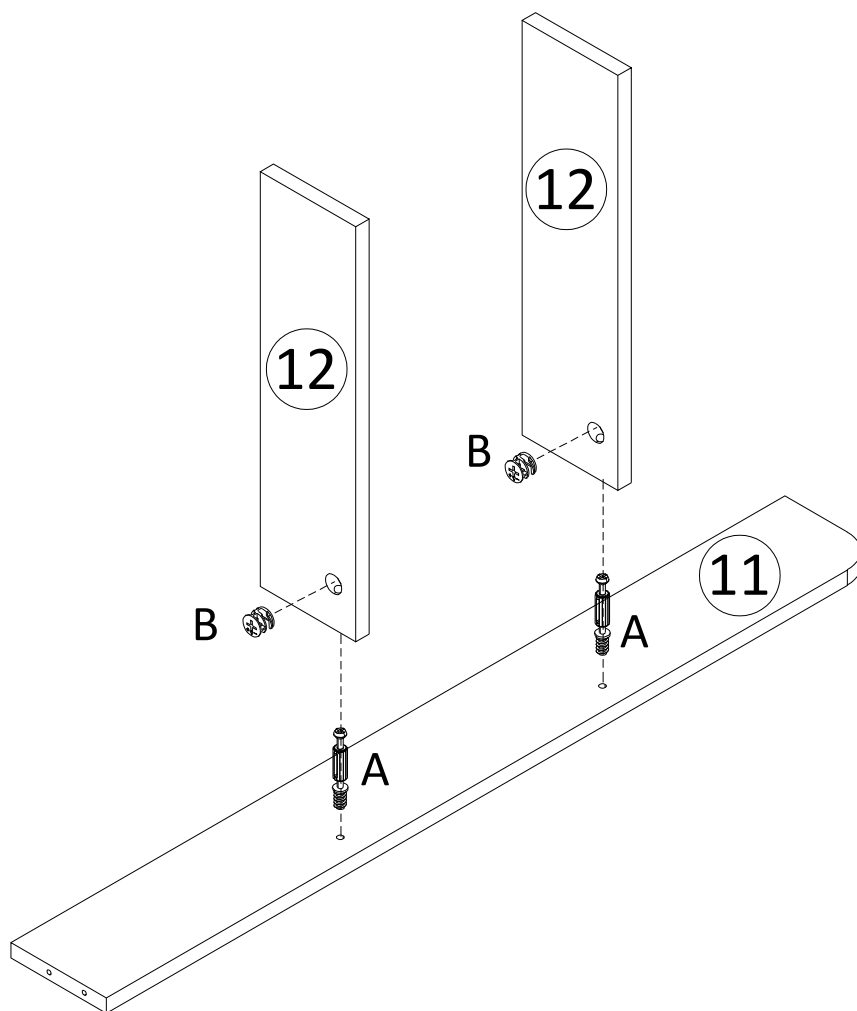


D M5x40



4 PCS

12



A M5x42



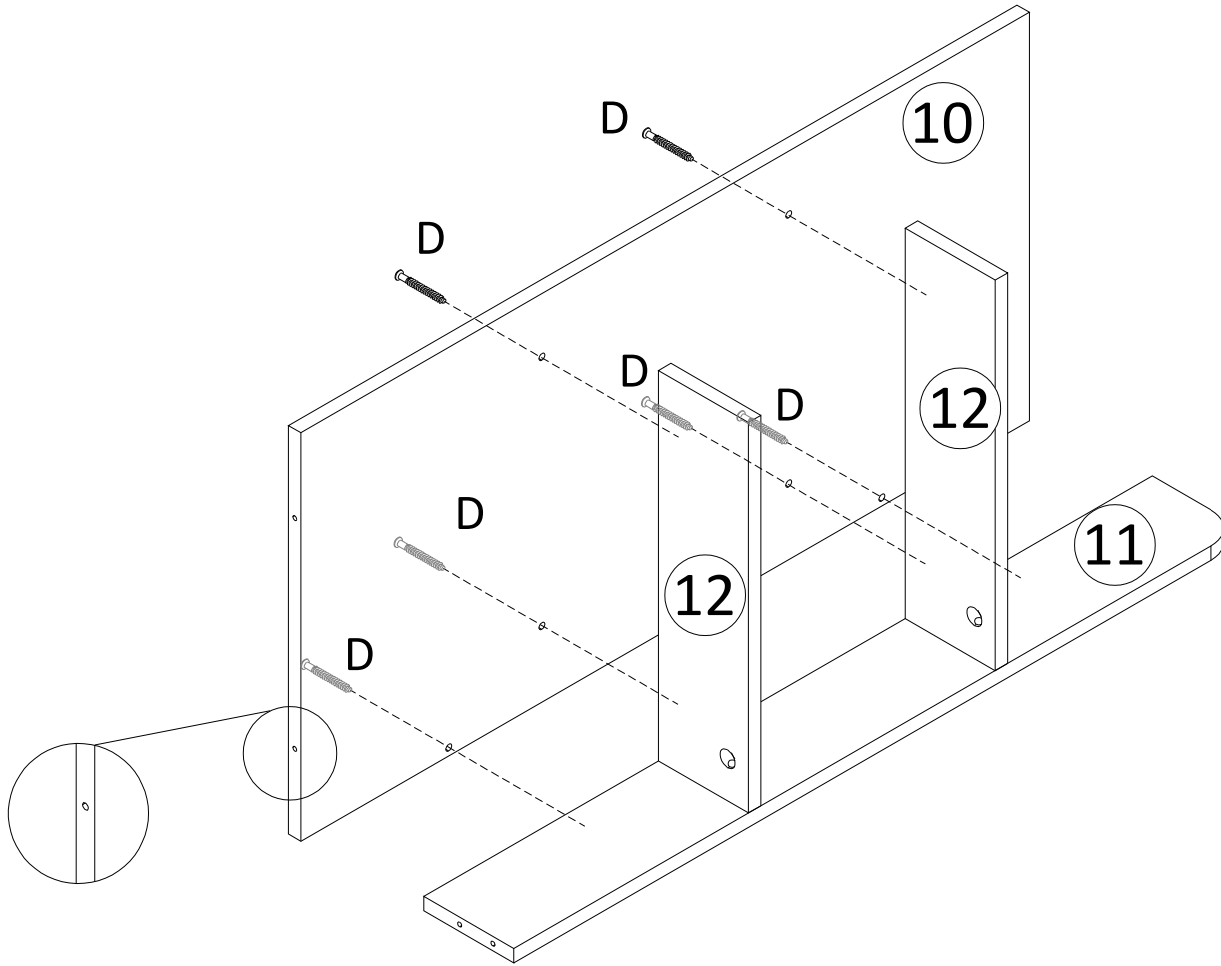
2 PCS

B Ø15x10



2 PCS

13

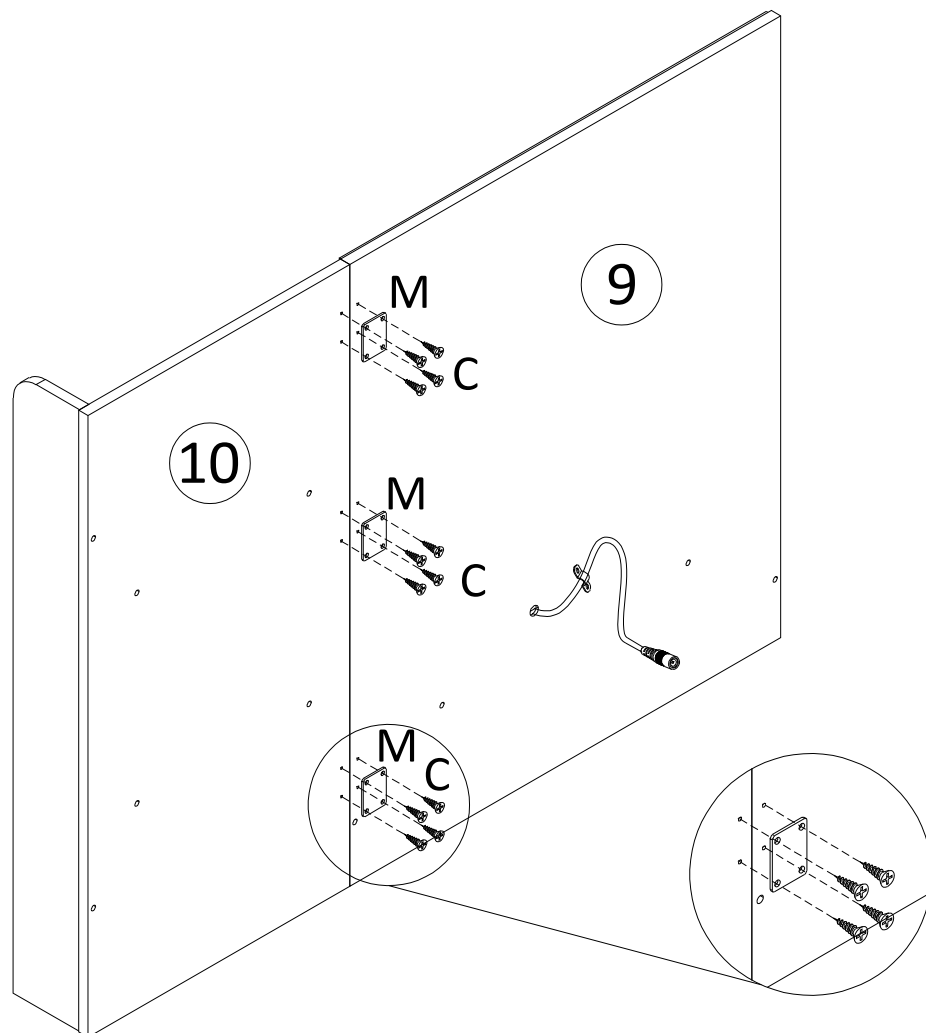


D M5x40



6 PCS

14

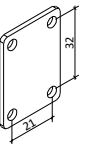


C M3.5x12



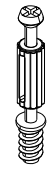

12 PCS

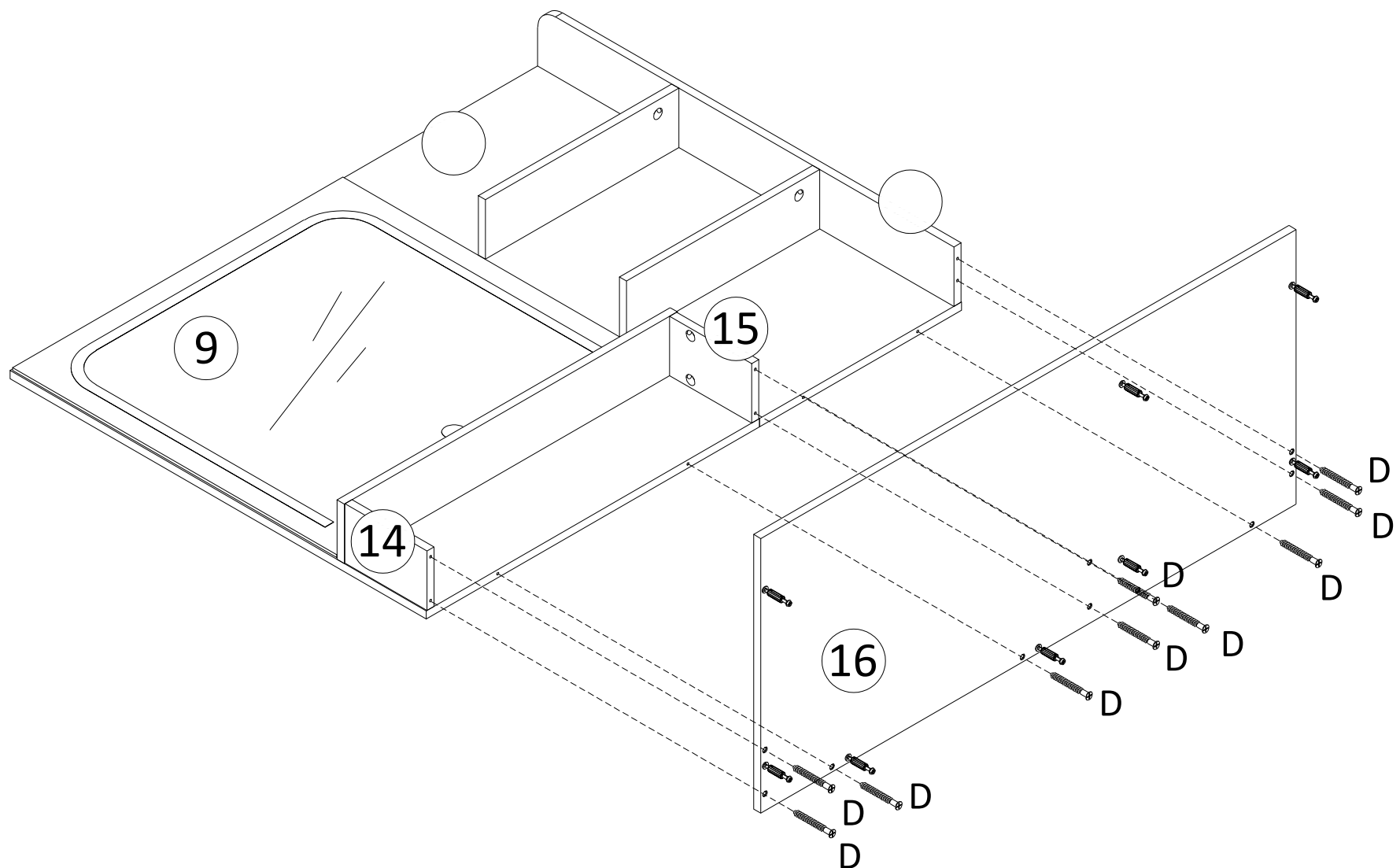
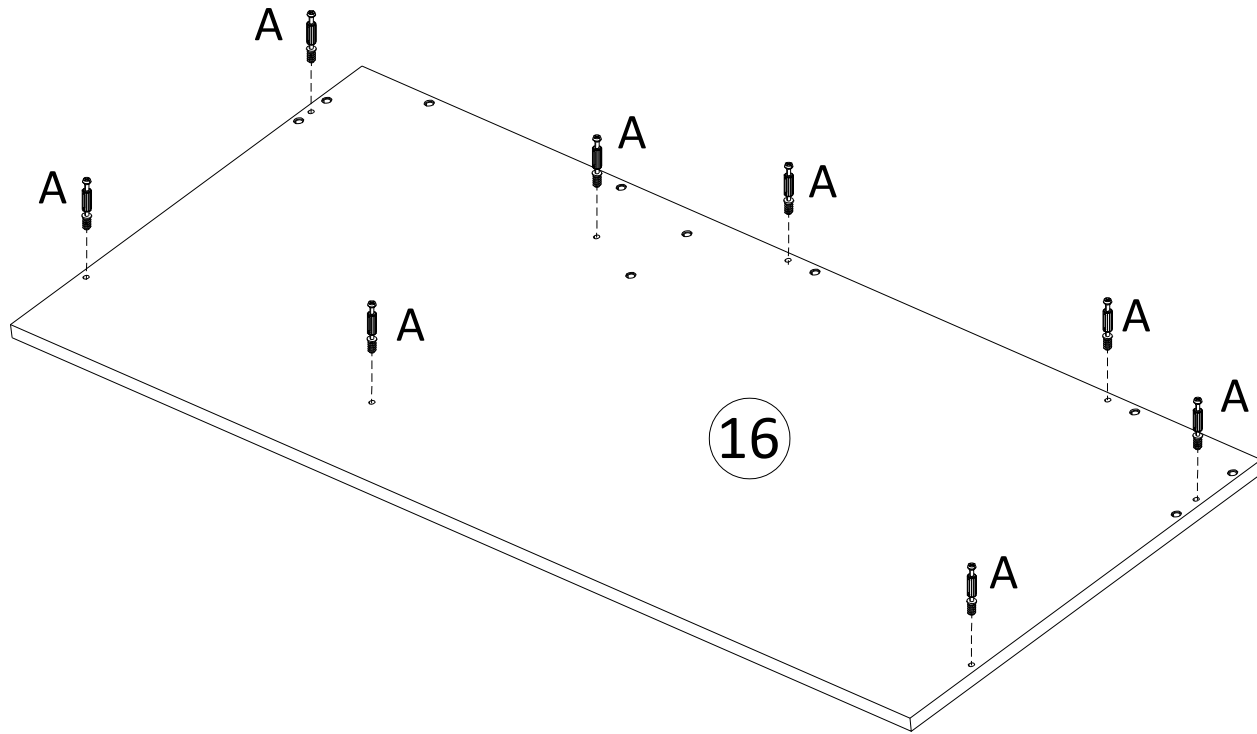
M L47xW38



3 PCS

15

A M5x42	D M5x40
	
8 PCS	10 PCS

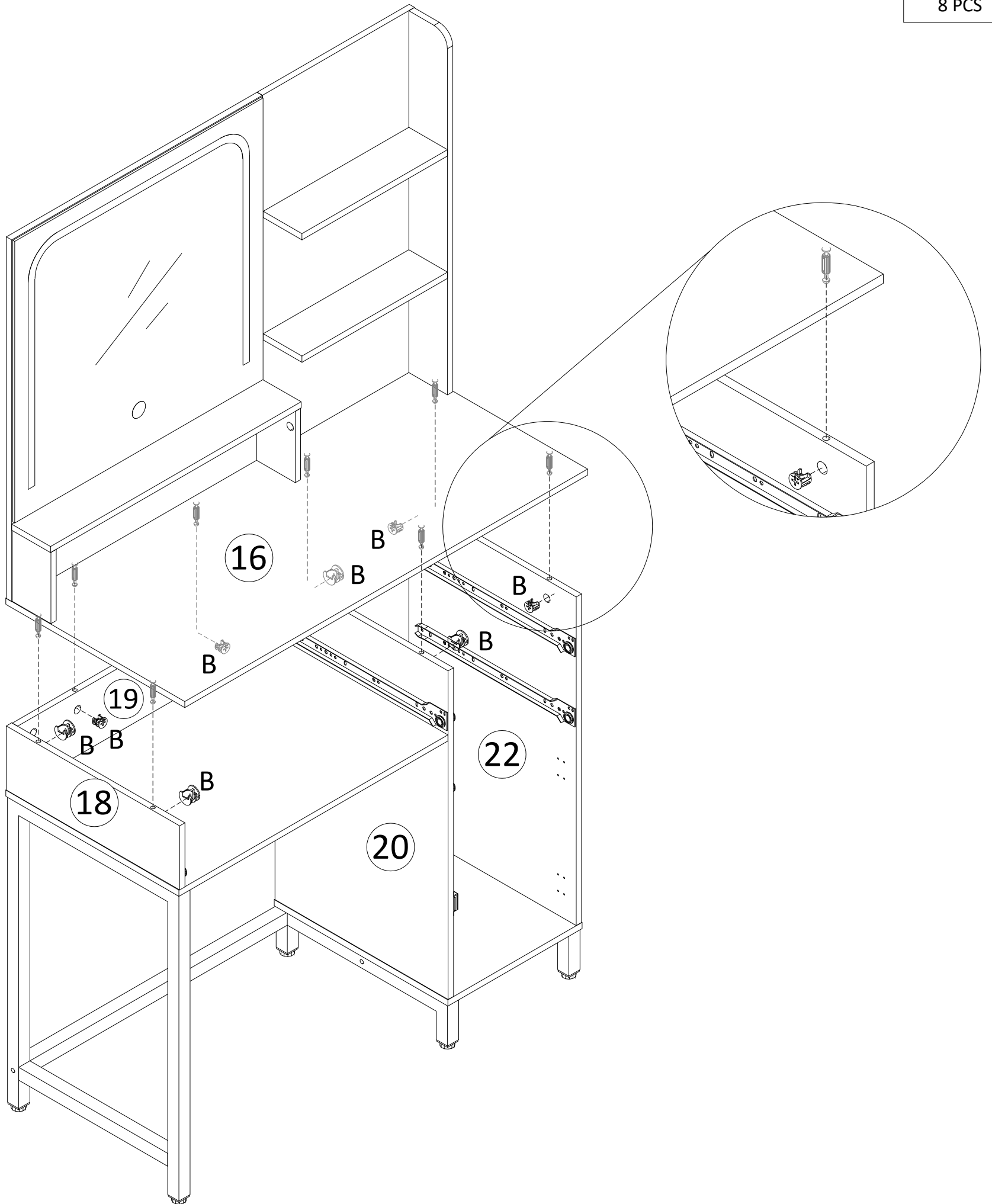


16

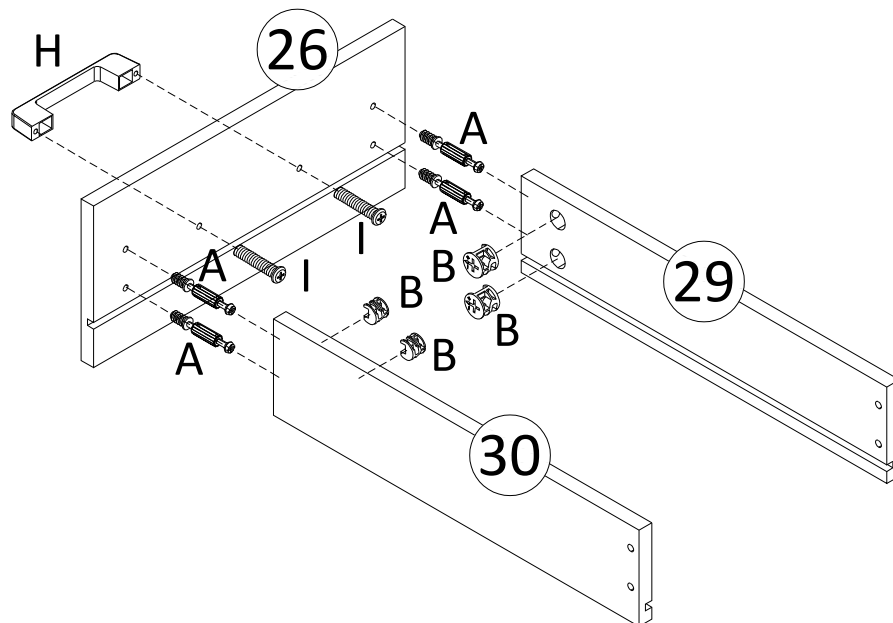
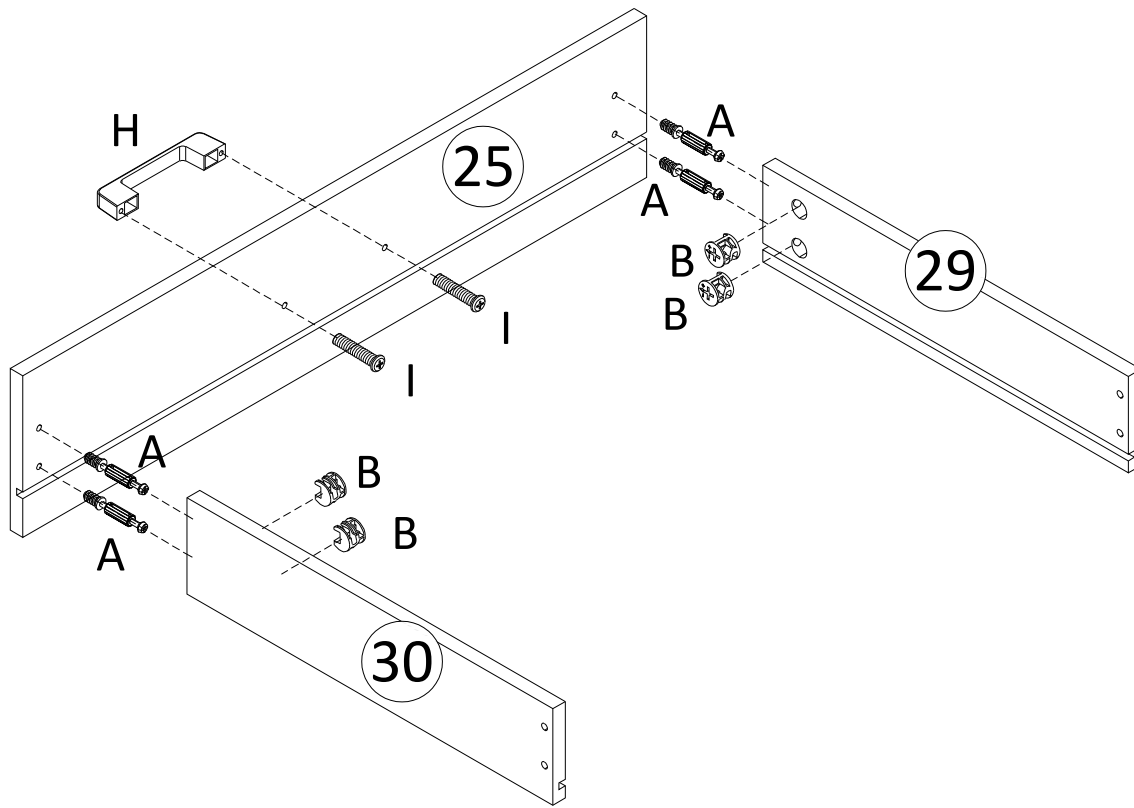
B Ø15x10



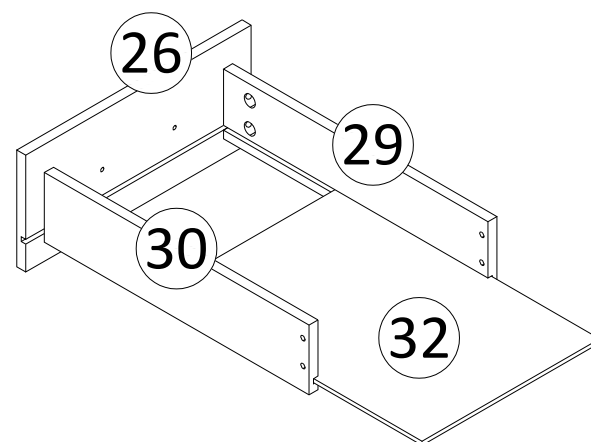
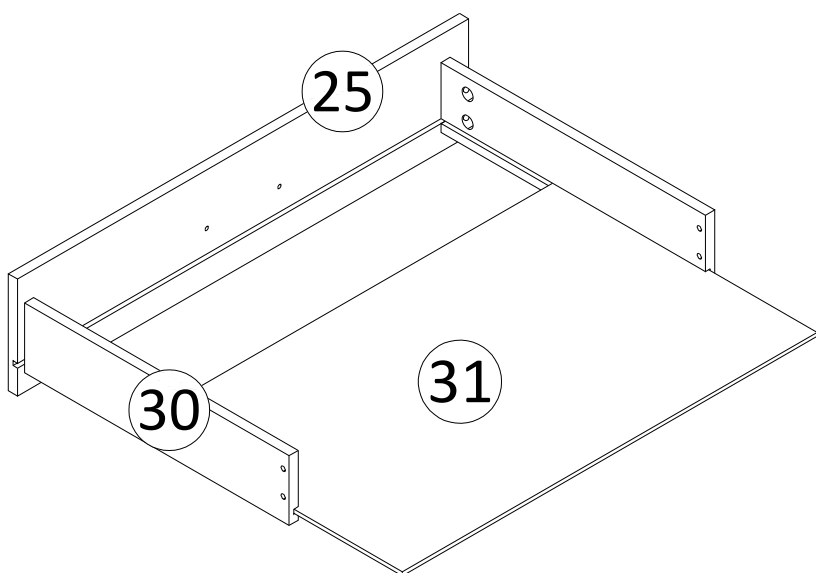
8 PCS



17

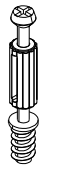


x 2



x 2

A M5x42



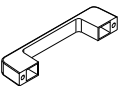
12 PCS

B Ø15x10



12 PCS

H 8347-96



3 PCS

I M4x16



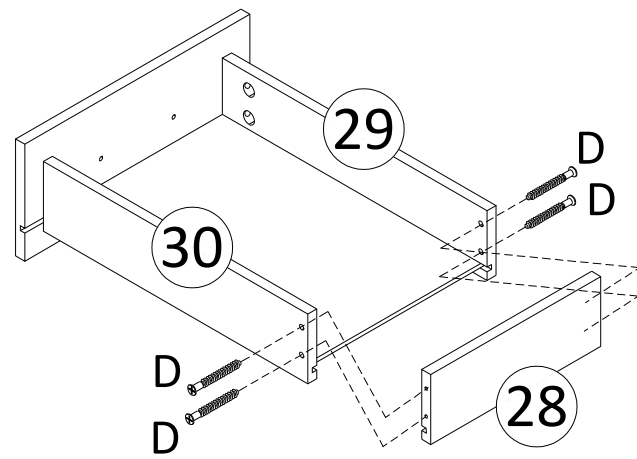
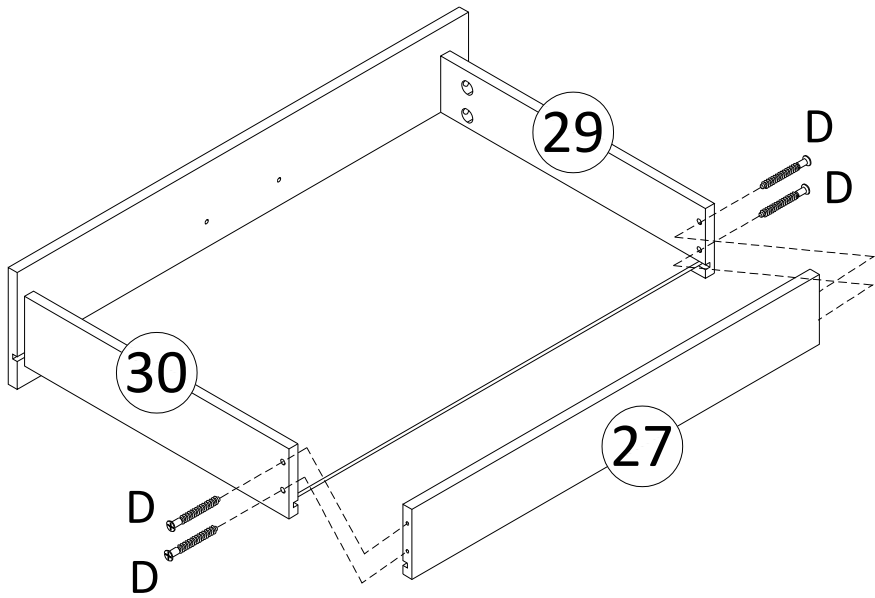
6 PCS

18

D M5x40



12 PCS



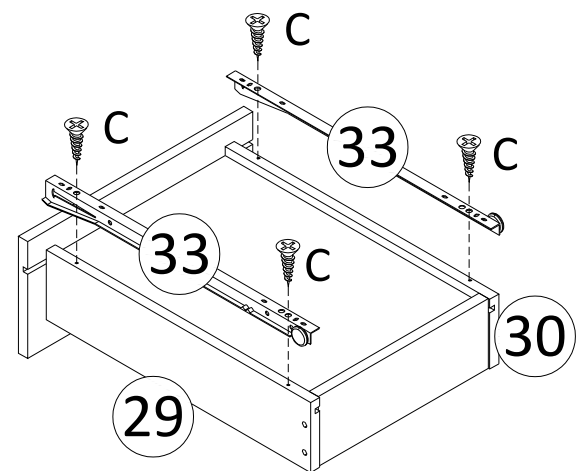
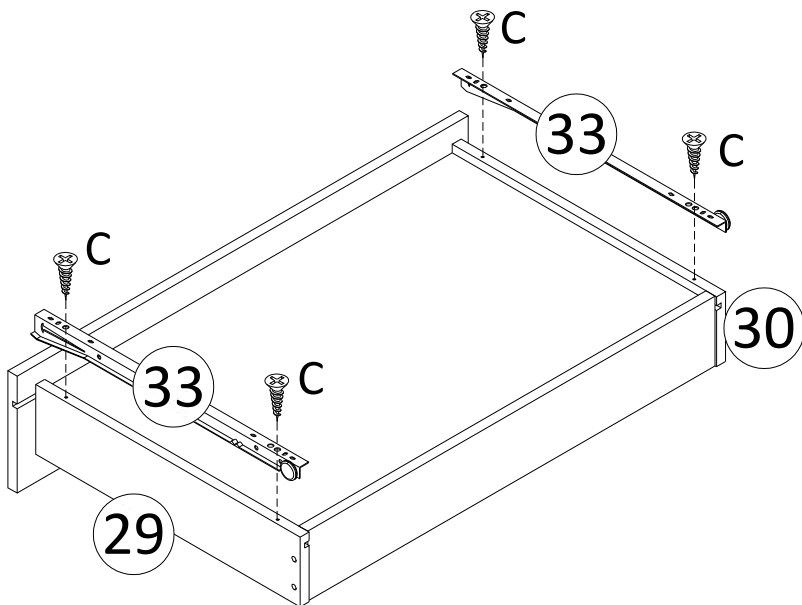
x 2

19

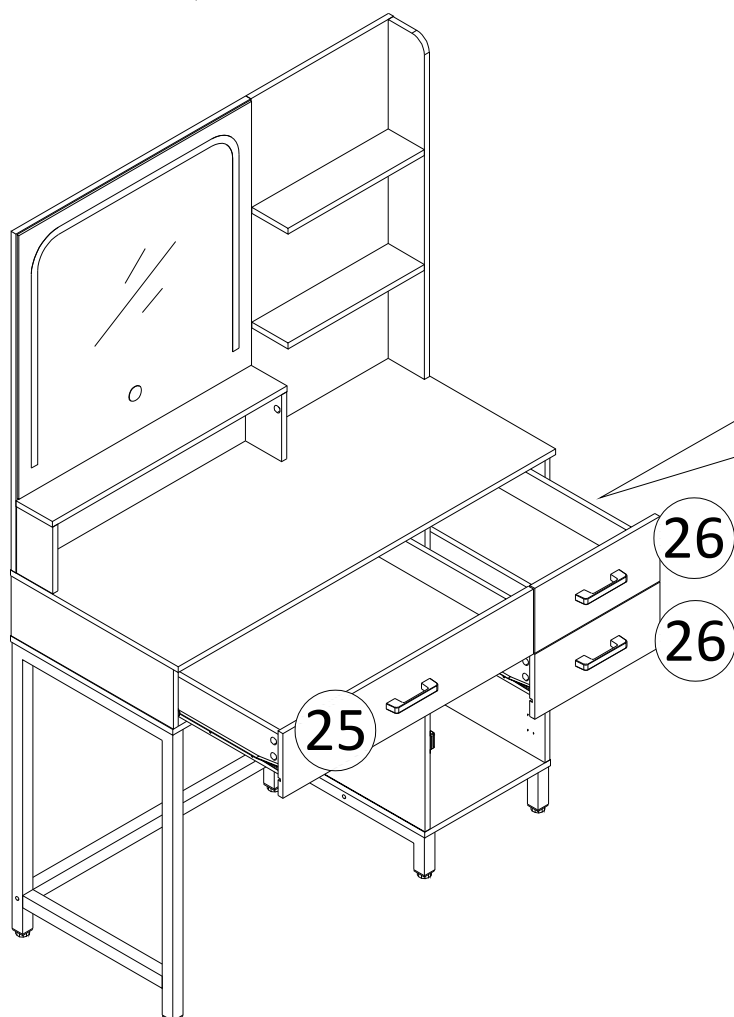
C M3.5x12



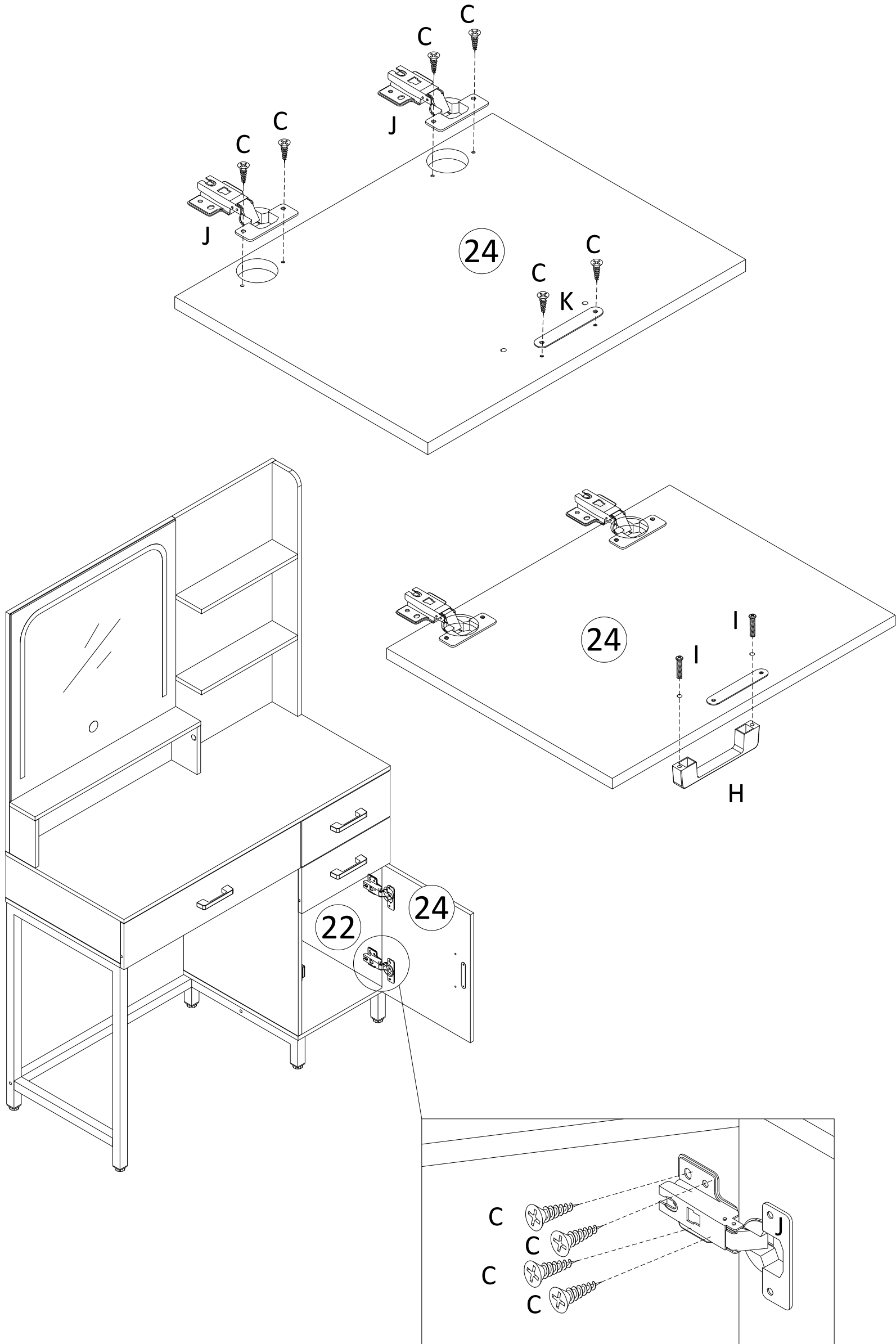
12 PCS



x 2



20

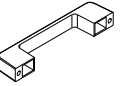


C M3.5x12



14 PCS

H 8347-96



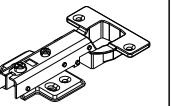
1 PCS

I M4x16



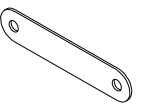
2 PCS

J ZW



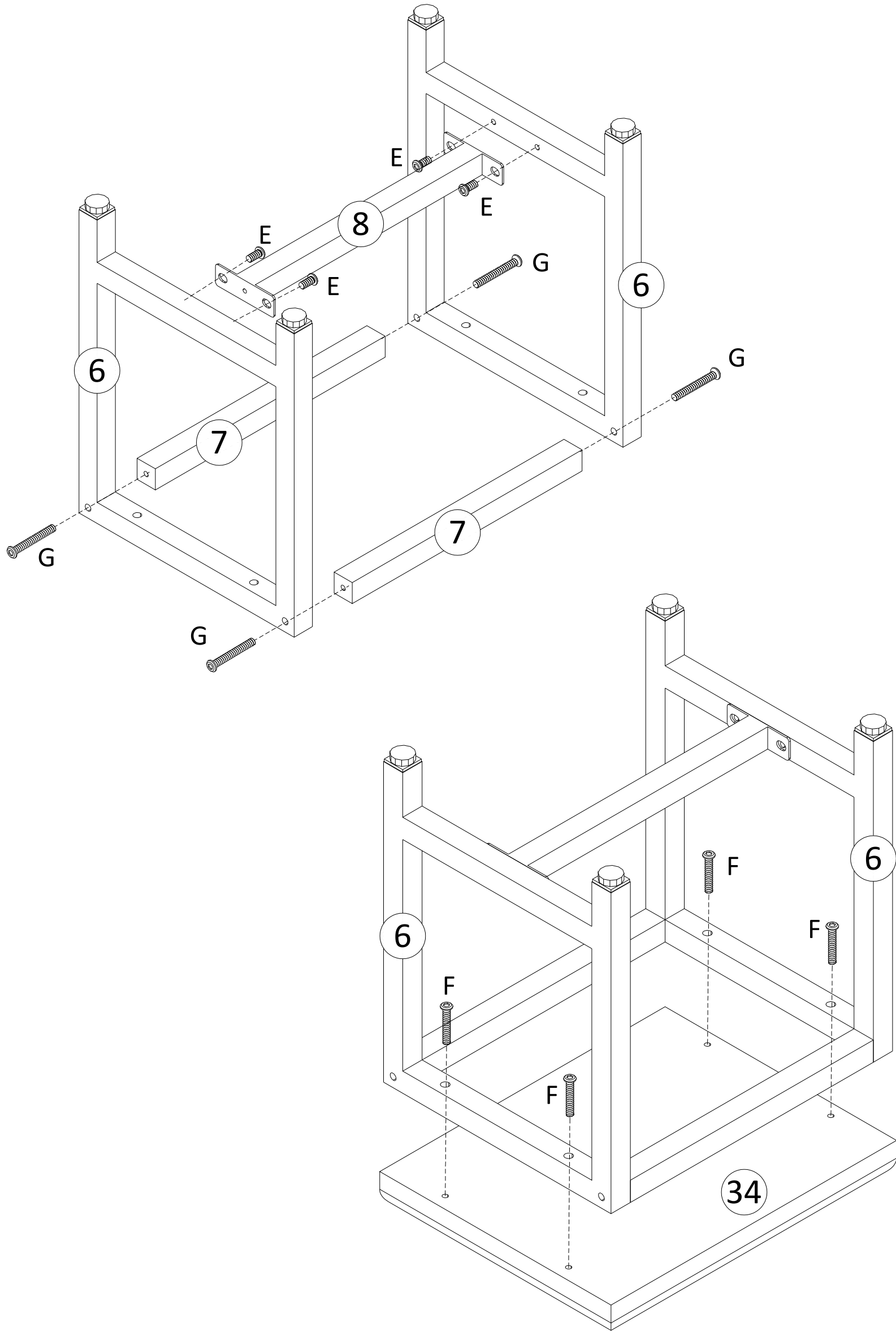
2 PCS

K Ø4x63



1 PCS

21

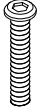


E M6x12



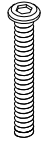
4 PCS

F M6x35



4 PCS

G M6x45



4 PCS

22

