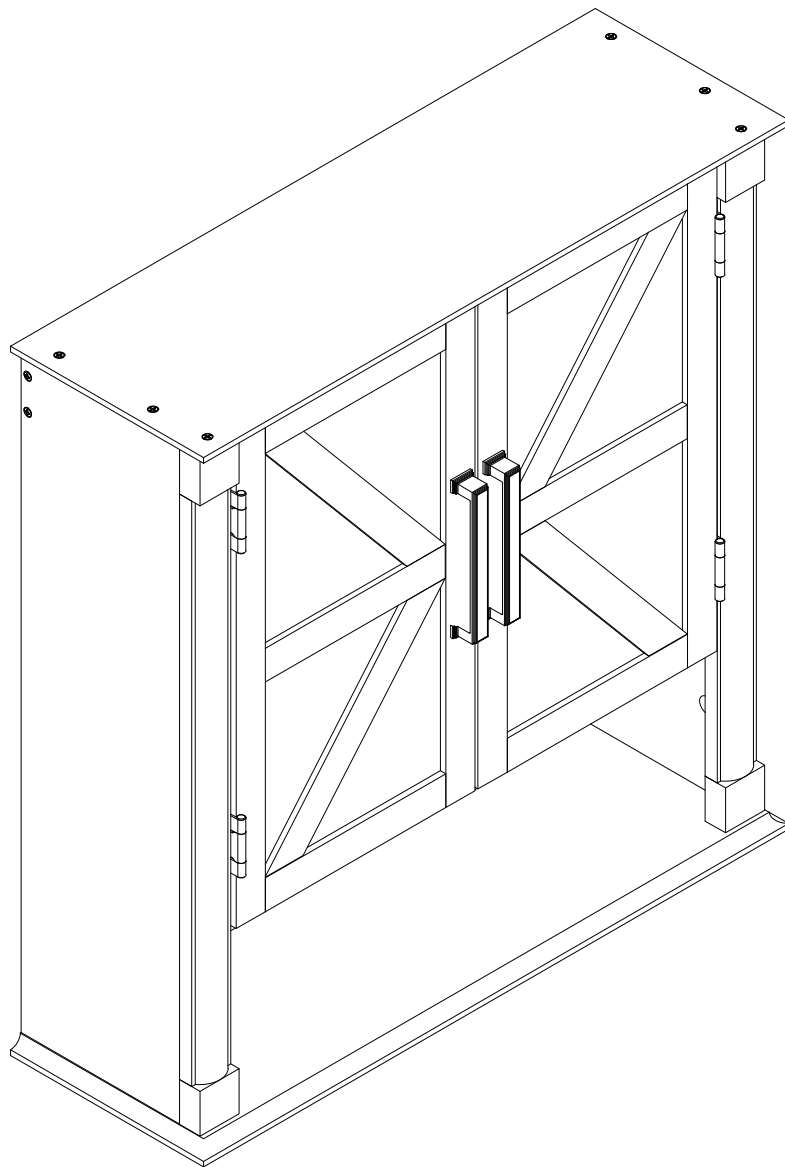
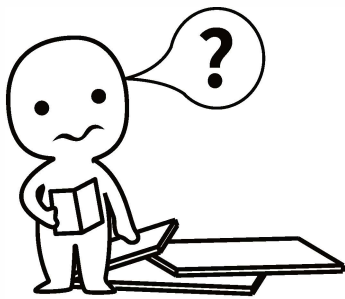


# Assembly Instruction

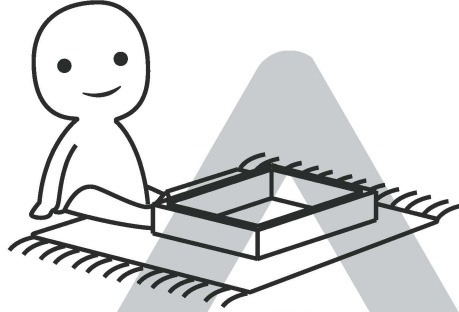
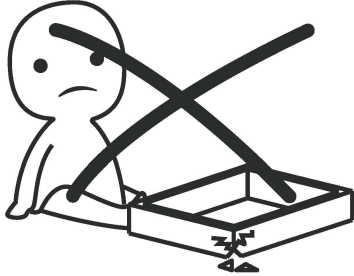


Note:If you encounter any issues,please contact customer service.



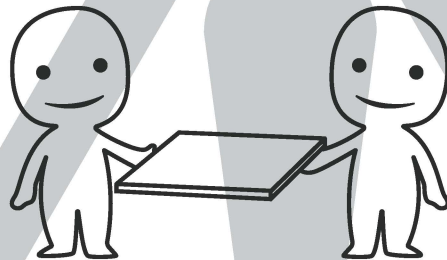
### **IMPORTANT INFORMATION!**

please read the entire manual before starting to assemble and/or using this product follow the manual thoroughly and keep it for further reference.



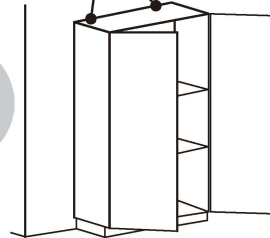
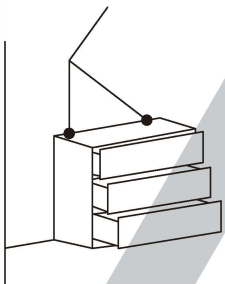
### **AVOID SCRATCHES!**

In order to avoid scratching this furniture should be assembled on a soft layer- could be a rug.



### **IMPROVE EFFICIENCY !**

Try to find a partner to install with you, which can speed up the installation efficiency and shorten the time.



### **ANTI-TOPPLE WARNING !**

Overturnd furniture can cause serious or fatal crush injuries. To prevent tipping over, be sure to use the wall attachment, if not included with this product. Please purchase the wall attachment that fit your wall. If unsure, seek professional advice. Please read and follow each step of the instructions carefully.

### **IMPORTANT !**

It is important that any product which is assembled using any kind of screw is re-tightened 2 weeks after assembly, and once every 3 months - in order to assure stability through-out the lifespan of the product.

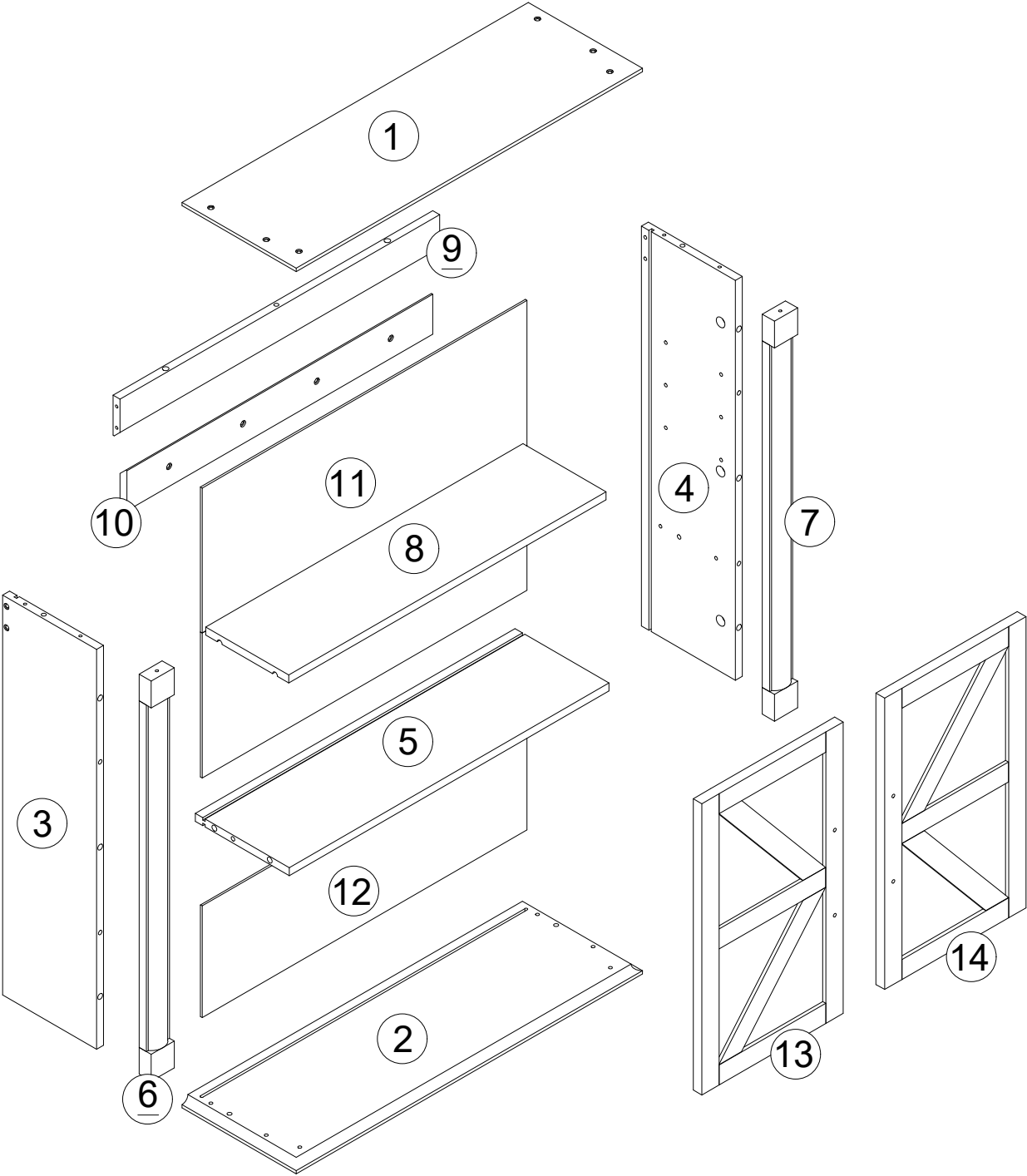
For regular maintenance and cleaning of the product, for the frame, please use a rag dipped in neutral detergent to fully wipe it, and then dry it with a clean rag. For glass materials, wipe with a rag dampened with water glass cleaner, and then dry with a dry rag.

Please use proper tools for assembly. Using an electric screwdriver can accelerate the assembly speed, but please do not overtighten the screws.

### **SAFETY TIPS !**

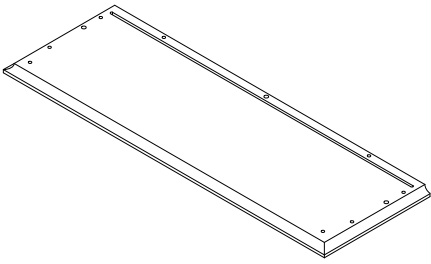
Static charge may cause dust on foam - clean with a dry or damp cloth. Small foam strands may be present — handle gently and dispose of properly. Do not burn or incinerate. Check local recycling guidelines.

# Board Identification

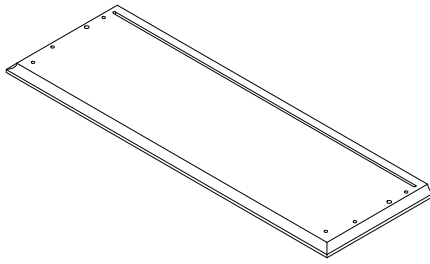


Note: If you encounter any issues, please contact customer service.

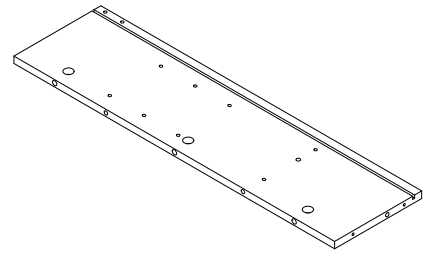
# PARTS LIST



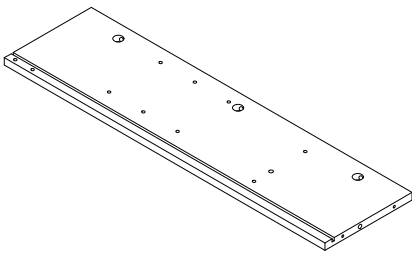
1



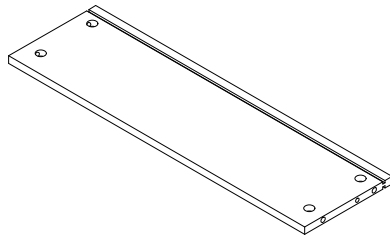
2



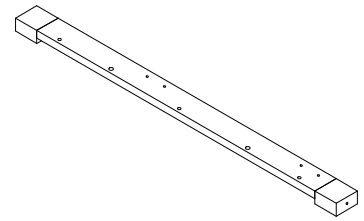
3



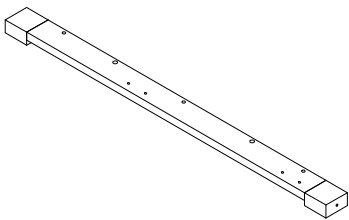
4



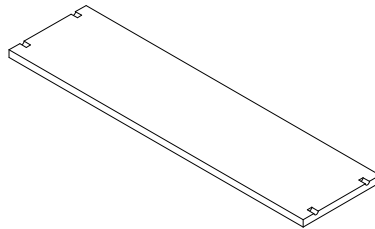
5



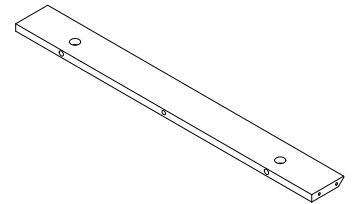
6



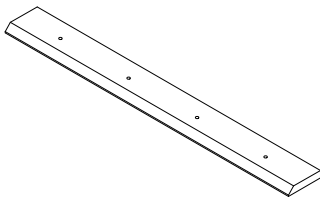
7



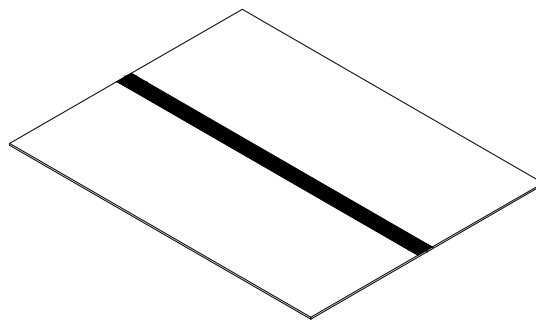
8



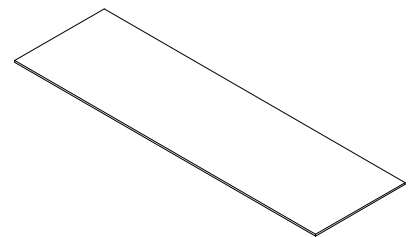
9



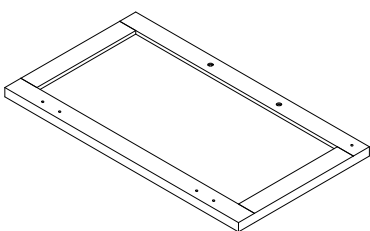
10



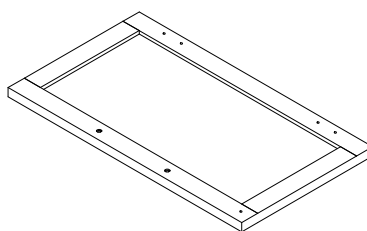
11



12



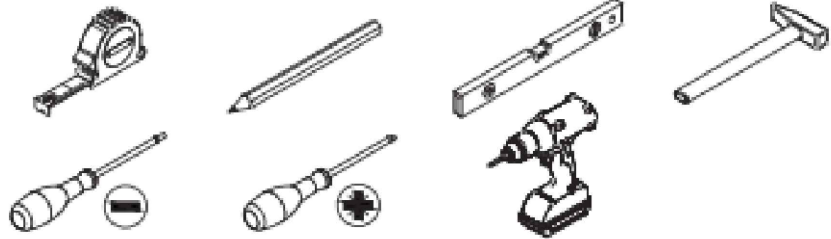
13



14



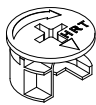
Please prepare the following tools



When installing, please carefully confirm whether each screw corresponds to the manual, accessories with similar shapes can be distinguished by size

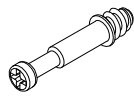
Tips: The number after "+" represents the spare hardware.

A x 12+2



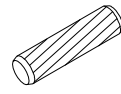
Ø15\*9mm

B x 12+2



L = 25mm

C x 11+1



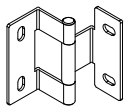
Ø6\*30mm

D x 16+2



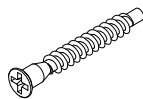
Ø3.5\*15mm

E x 4



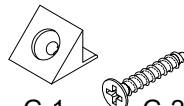
50\*24\*2.0mm

F x 16+2



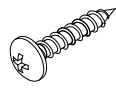
Ø5\*40mm

G x 10+1



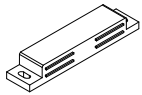
G-1 G-2

H x 2



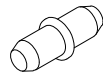
Ø3\*15mm

J x 1



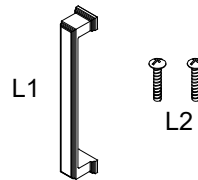
72\*16\*10.5mm

K x 4



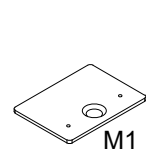
Ø5\*16mm

L x 2



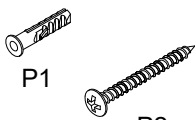
L1 L2

M x 2



M2

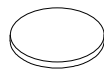
N x 4



P1

P2

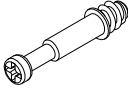
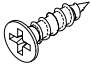
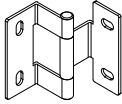
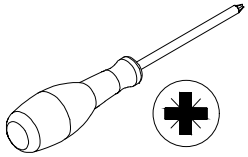

P x 28+2

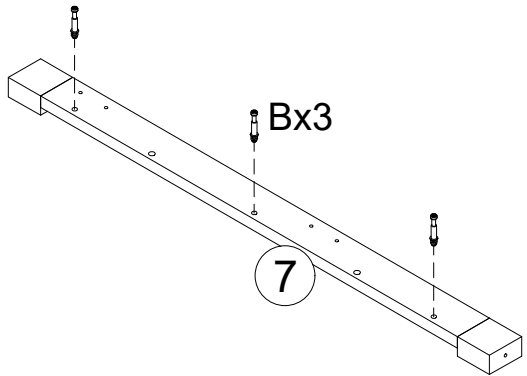
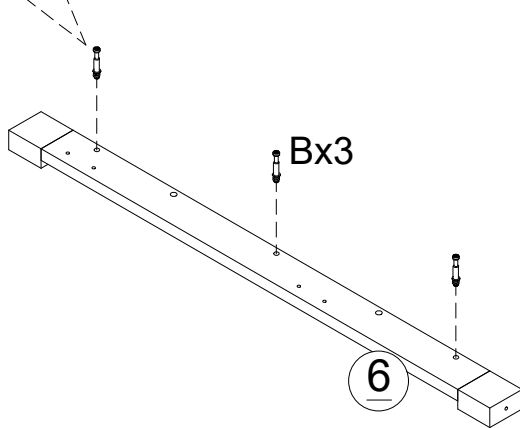
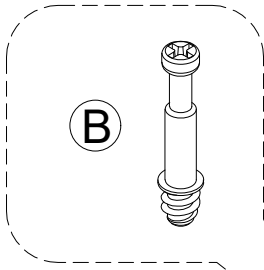
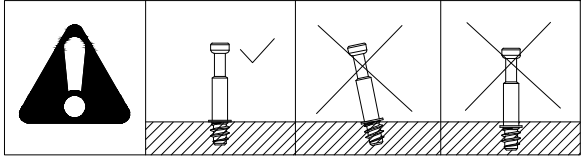


Ø23mm

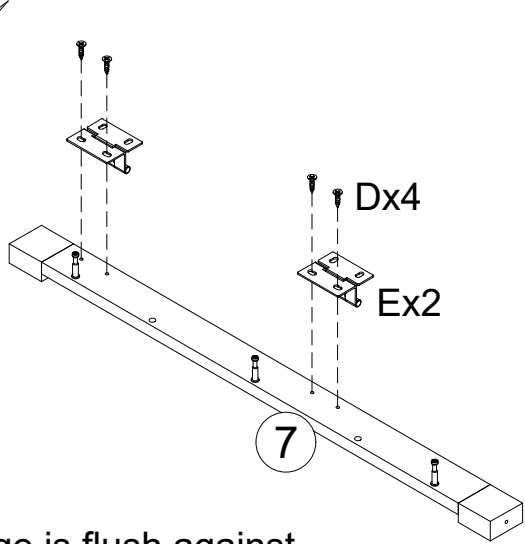
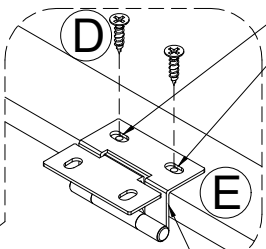
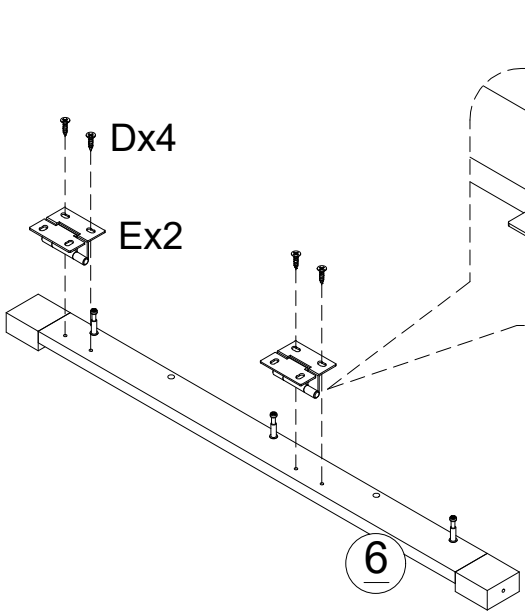
Note: If you encounter any issues, please contact customer service.

1

<p>B x 6</p>  <p>L = 25mm</p>	<p>D x 8</p>  <p>Ø3.5*15mm</p>	<p>E x 4</p>  <p>50*24*2.0mm</p>	 
--	---	---	--



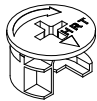
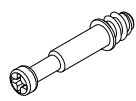
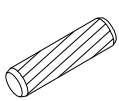
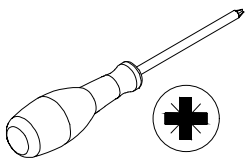
Ensure the screws are driven in at the center to avoid misalignment or shifting of the hinge to one side.

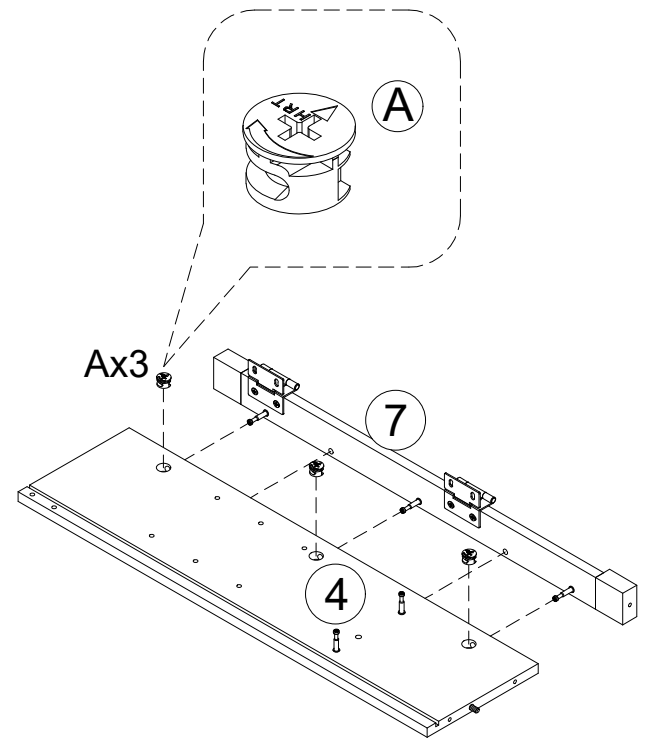
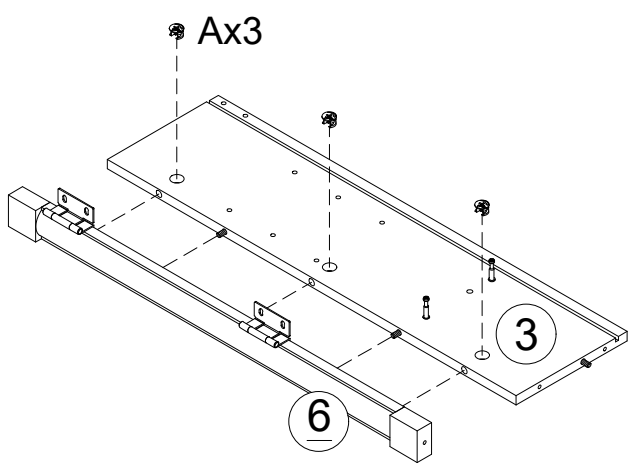
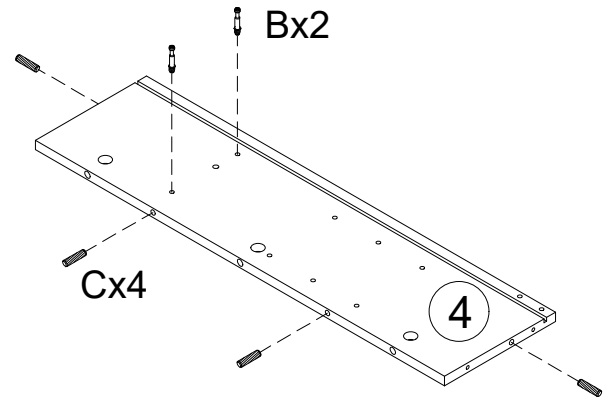
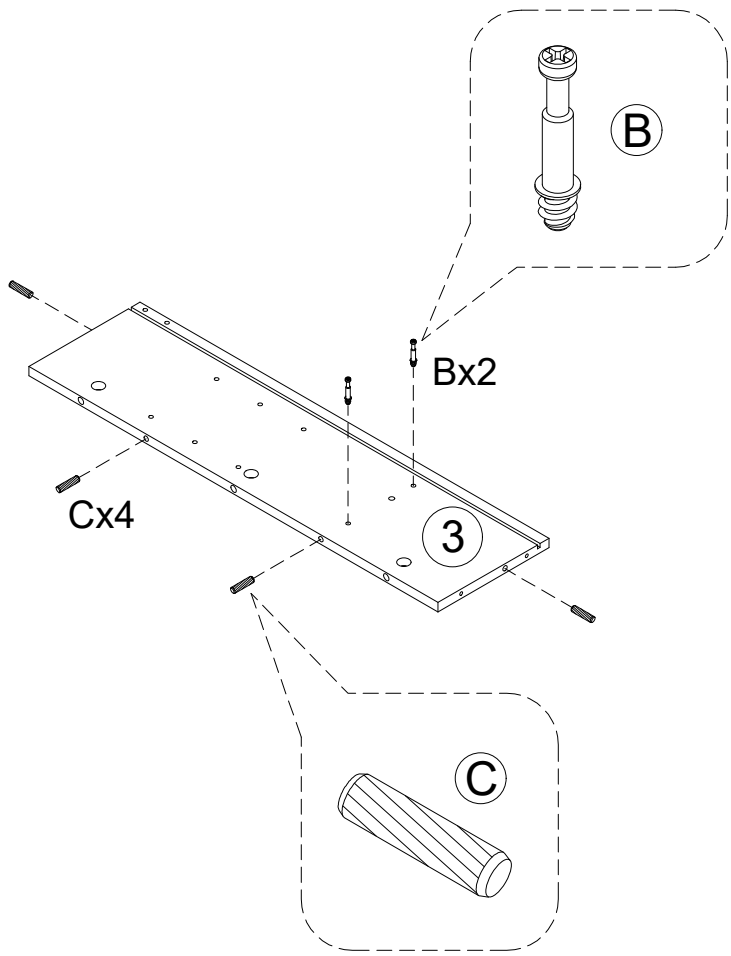
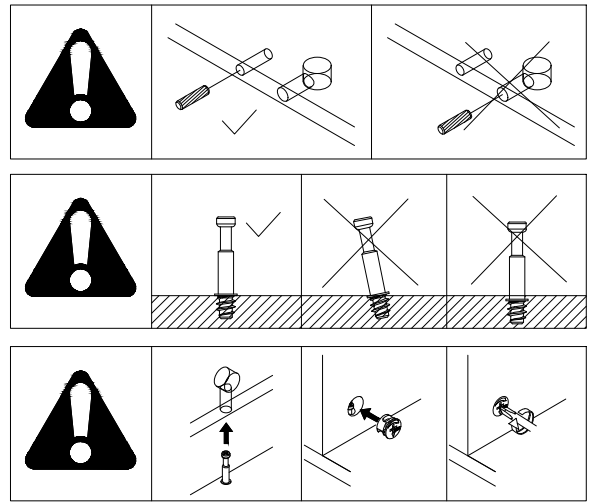


Ensure the hinge is flush against the panel when installing, then secure it with screws.

Note: If you encounter any issues, please contact customer service.


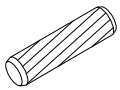
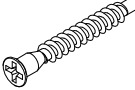
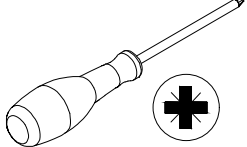
2

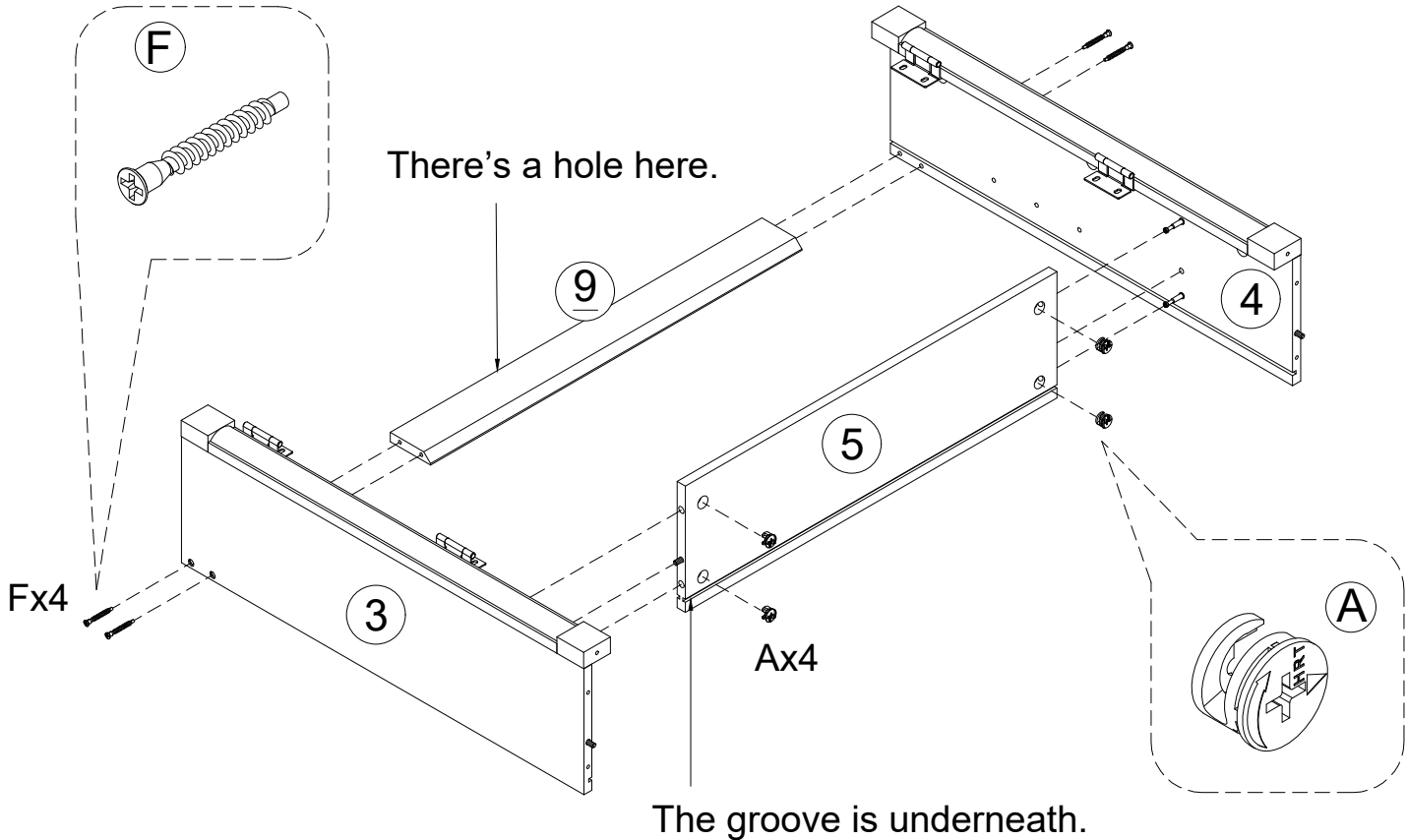
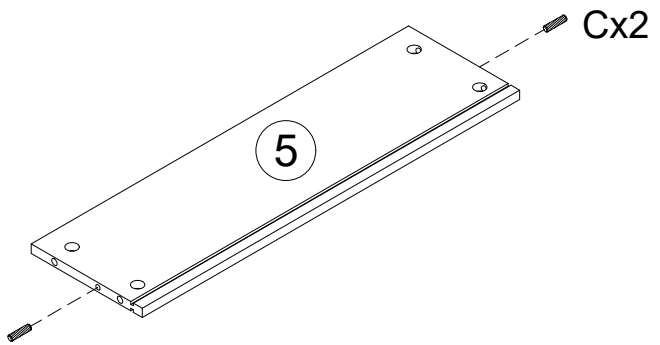
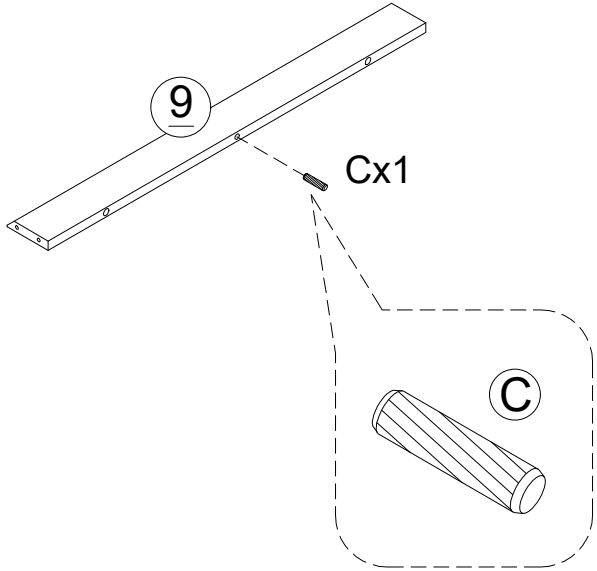
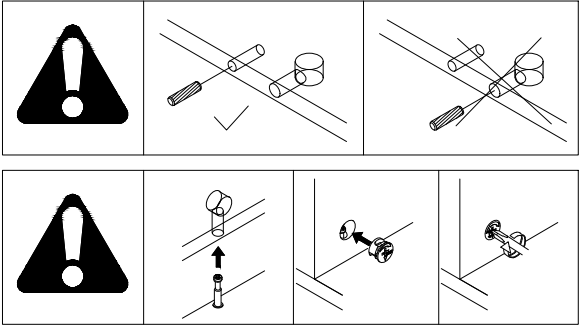
<p>A x 6</p>  <p>Ø15*9mm</p>	<p>B x 4</p>  <p>L = 25mm</p>	<p>C x 8</p>  <p>Ø6*30mm</p>	
---	--	---	--



Note: If you encounter any issues, please contact customer service.

3

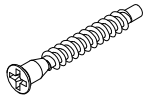
A x 4  Ø15*9mm	C x 3  Ø6*30mm	F x 4  Ø5*40mm	
---	---	---	---



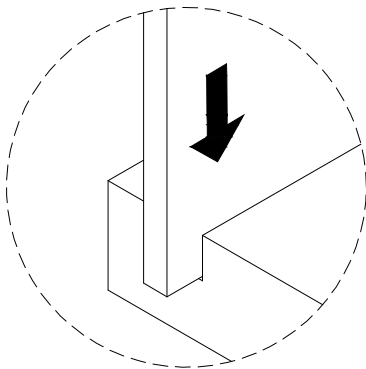
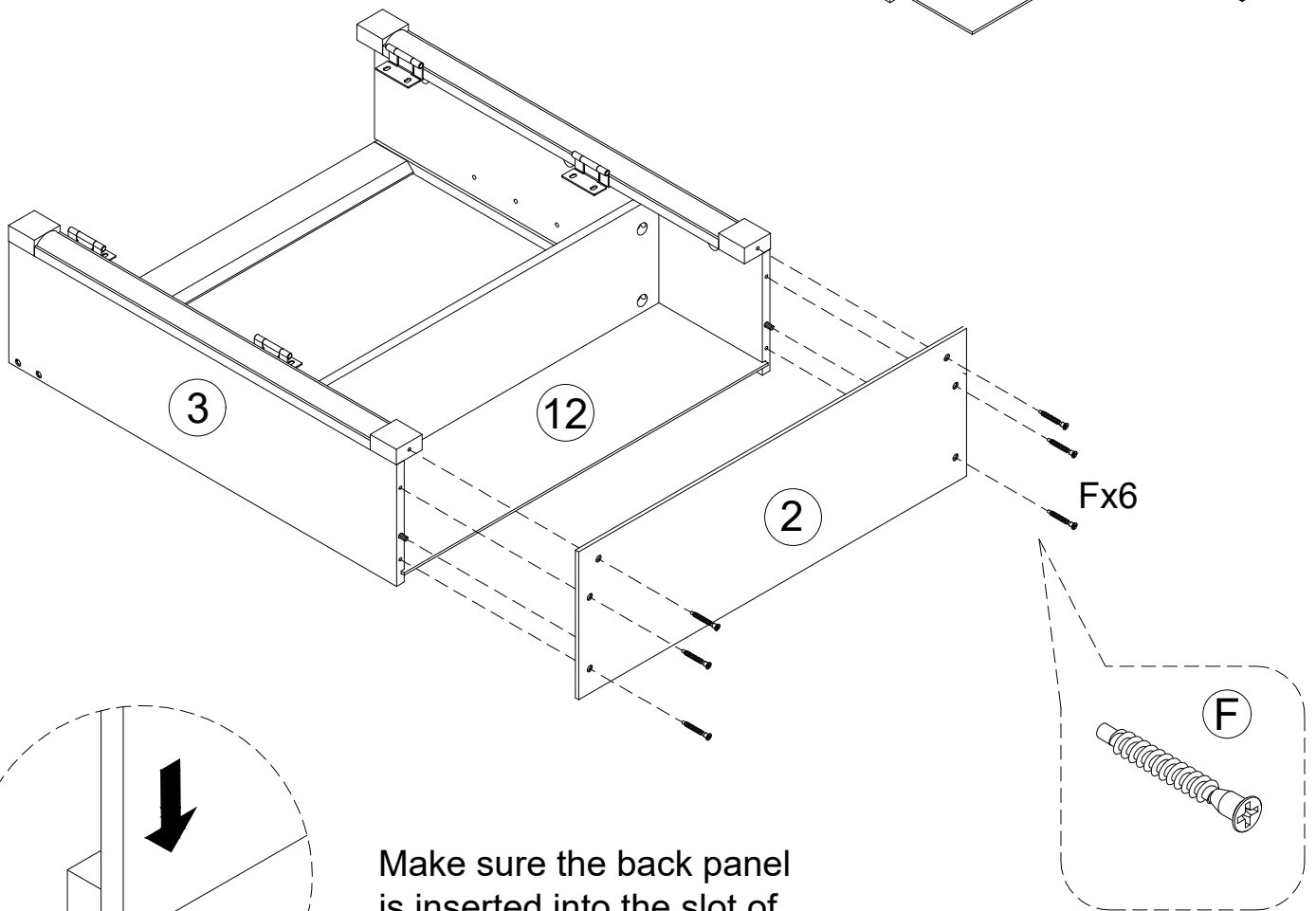
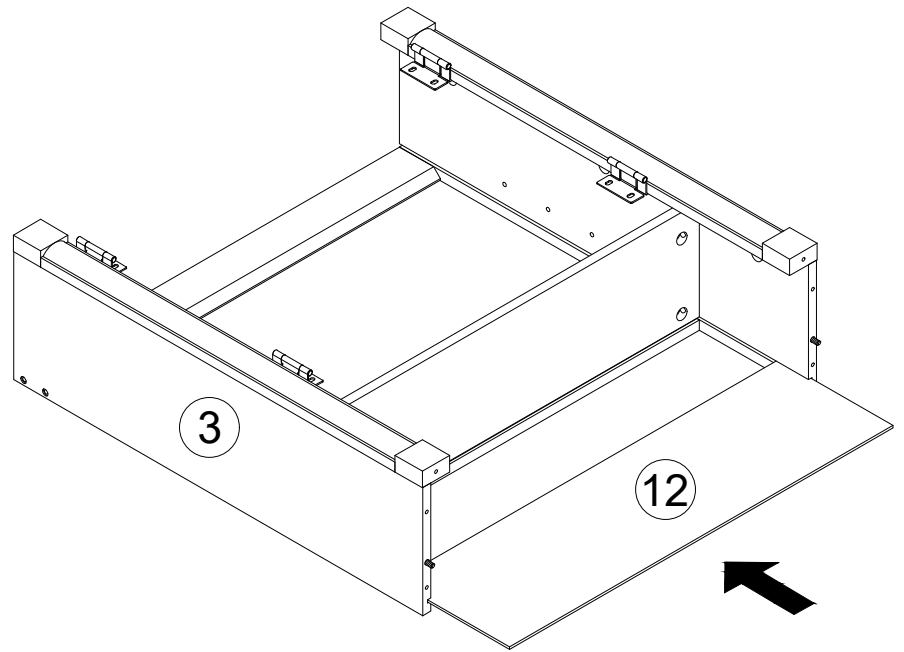
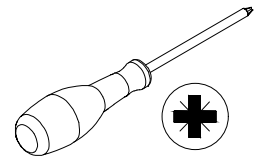
Note: If you encounter any issues, please contact customer service.

4

F x 6



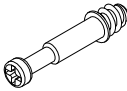
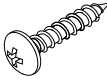
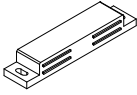
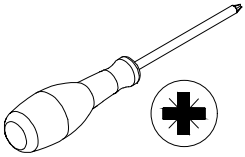

Ø5\*40mm

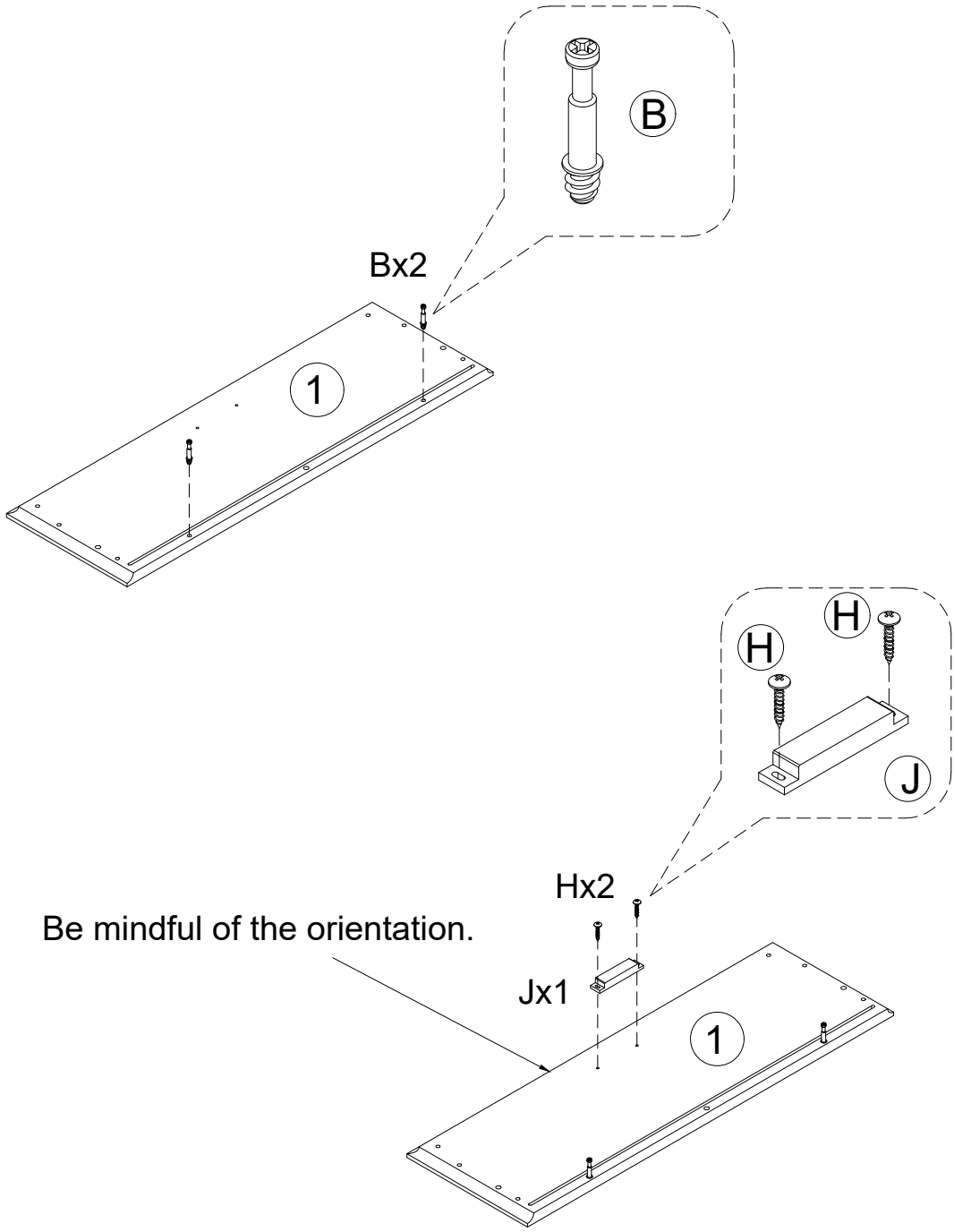
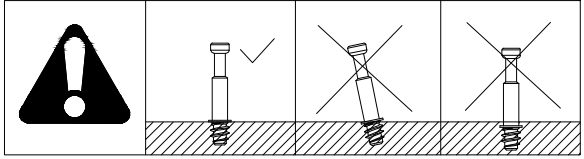


Make sure the back panel is inserted into the slot of the bottom panel before installing the cover plate.

Note: If you encounter any issues, please contact customer service.


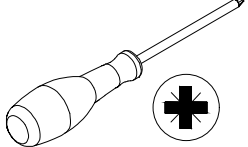
5


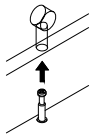
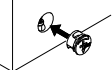
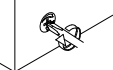
<p>B x 2</p>  <p>L = 25mm</p>	<p>H x 2</p>  <p>Ø3*15mm</p>	<p>J x 1</p>  <p>72*16*10.5mm</p>	 
--	---	--	--

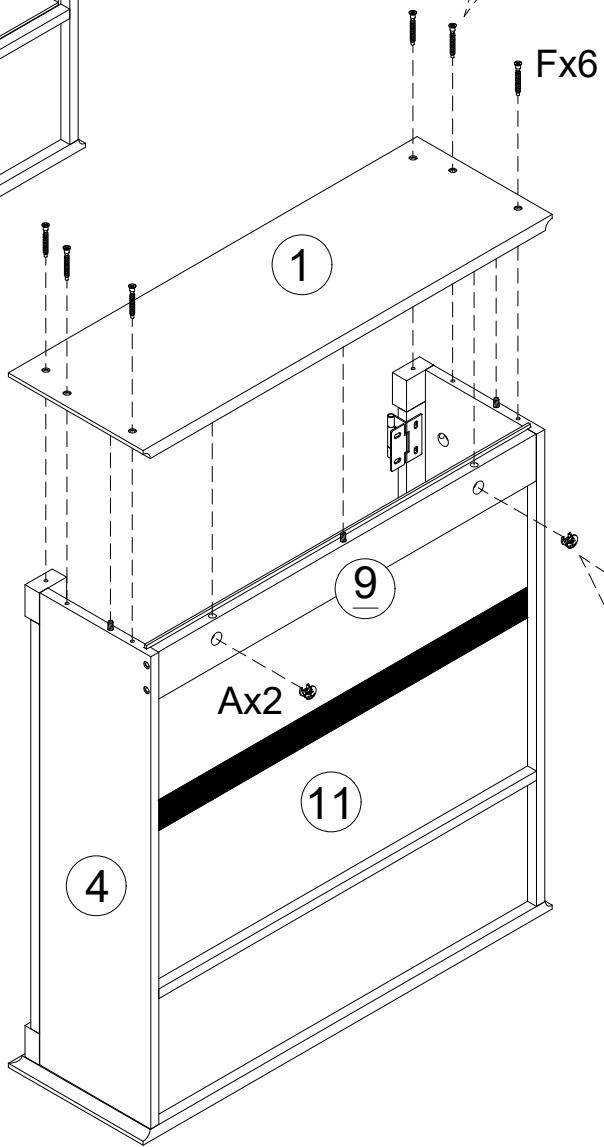
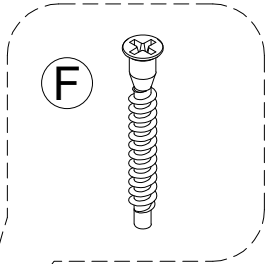
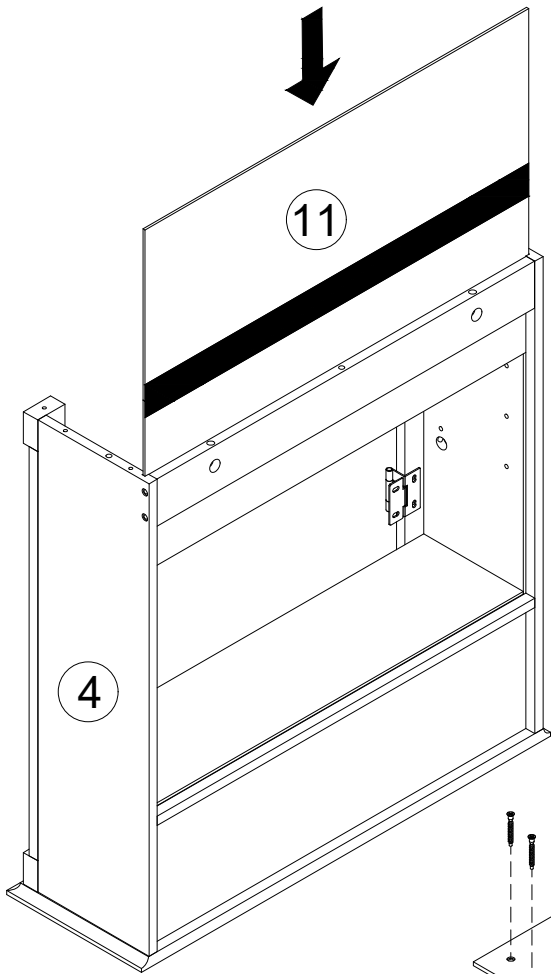


Note:If you encounter any issues,please contact customer service.

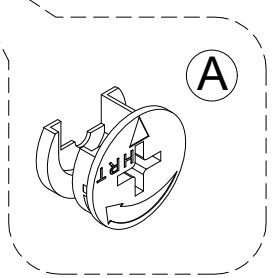
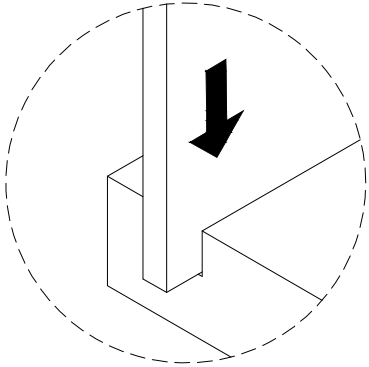
6

<p>A x 2</p>  <p>Ø15*9mm</p>	<p>F x 6</p>  <p>Ø5*40mm</p>	 
---	---	---

			
--	---	---	---



Make sure the back panel is inserted into the slot of the bottom panel before installing the cover plate.



Note: If you encounter any issues, please contact customer service.

7

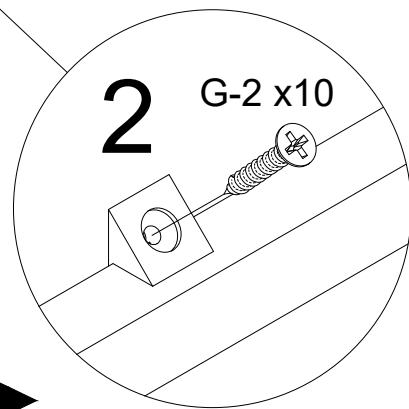
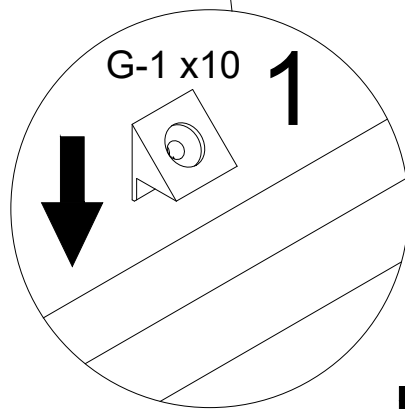
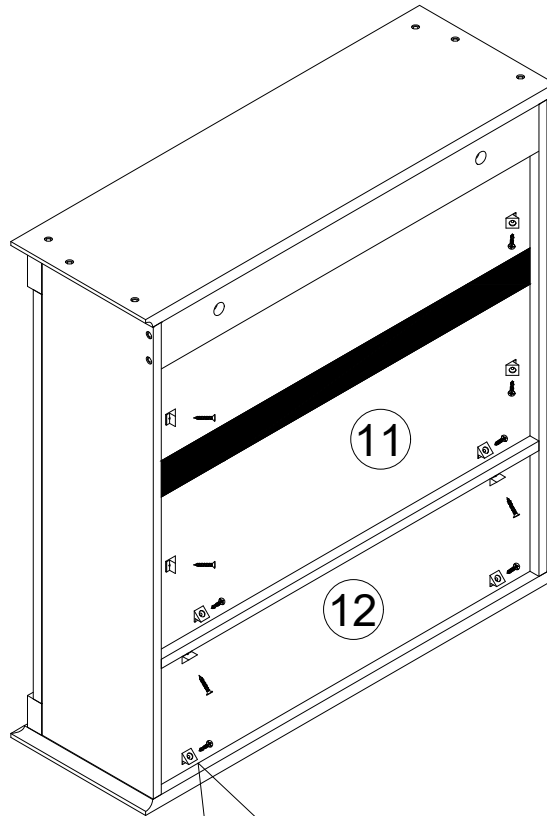
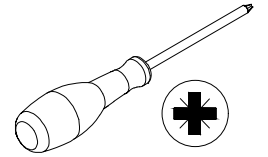
G x 10



G-1



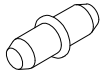
G-2



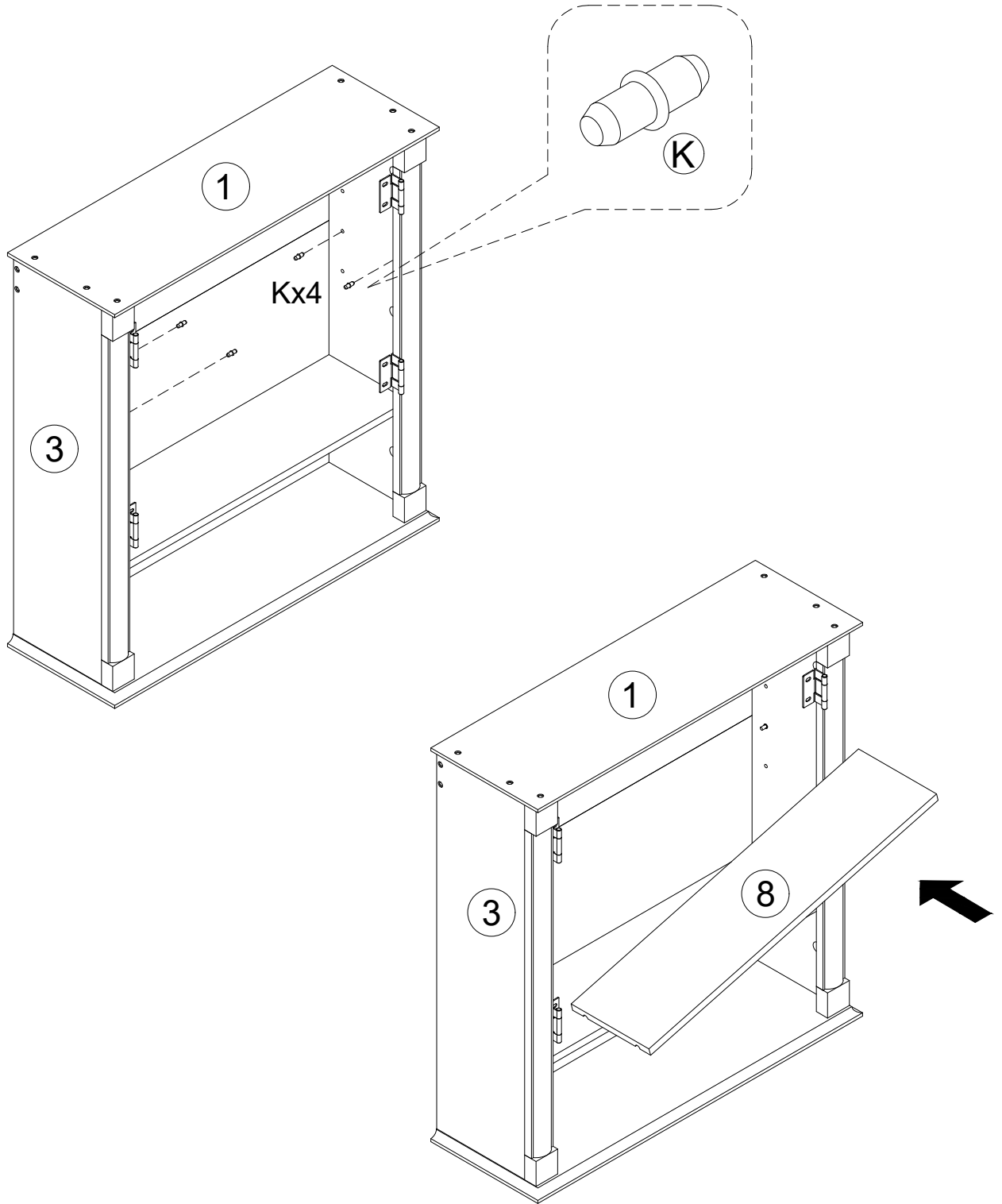
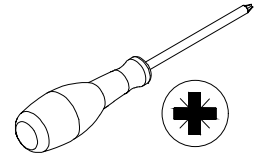
Note:If you encounter any issues,please contact customer service.

8

K x 4

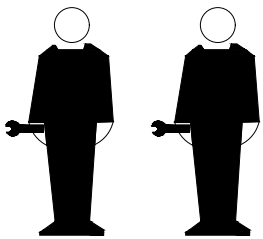
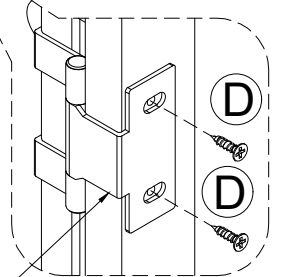
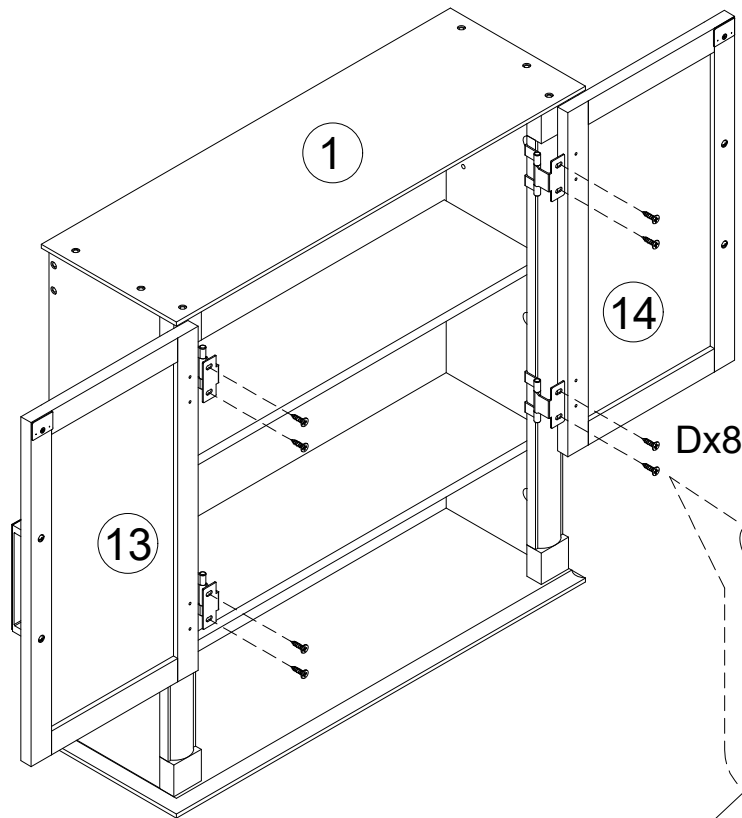
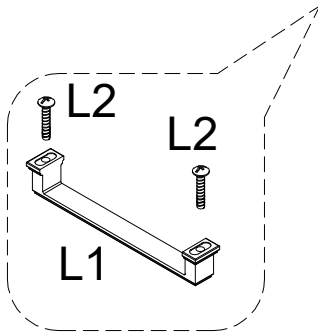
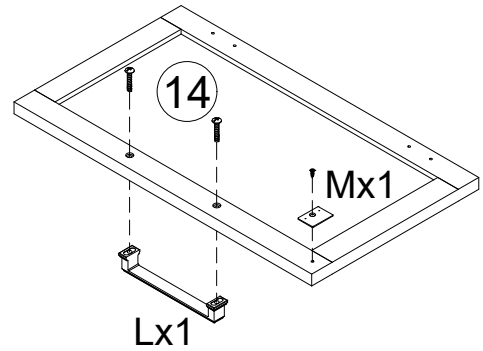
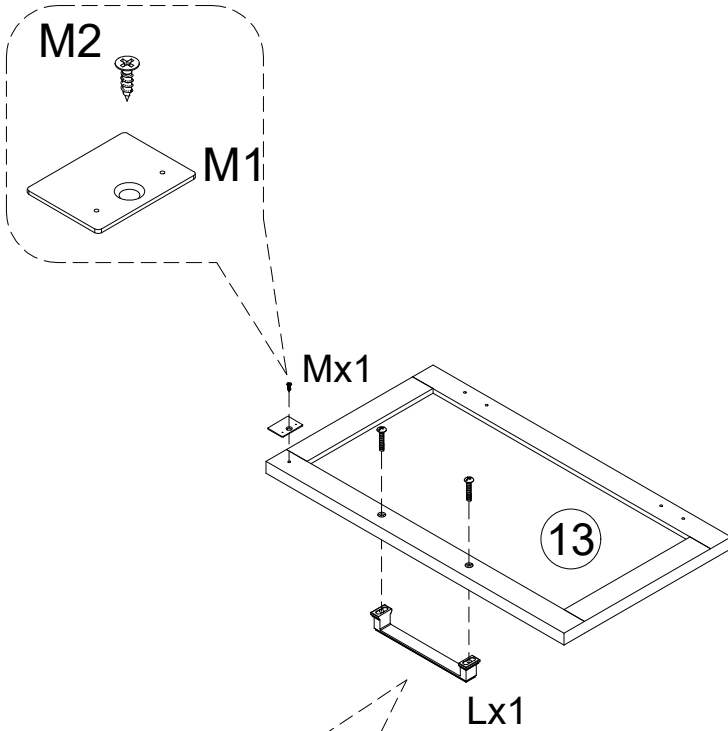
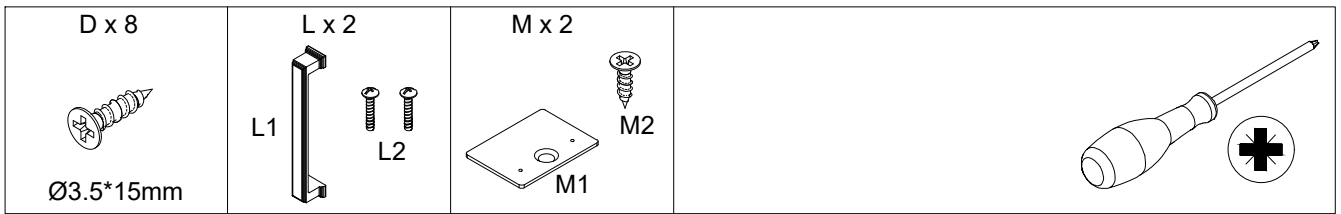


Ø5\*16mm



Note: If you encounter any issues, please contact customer service.

9

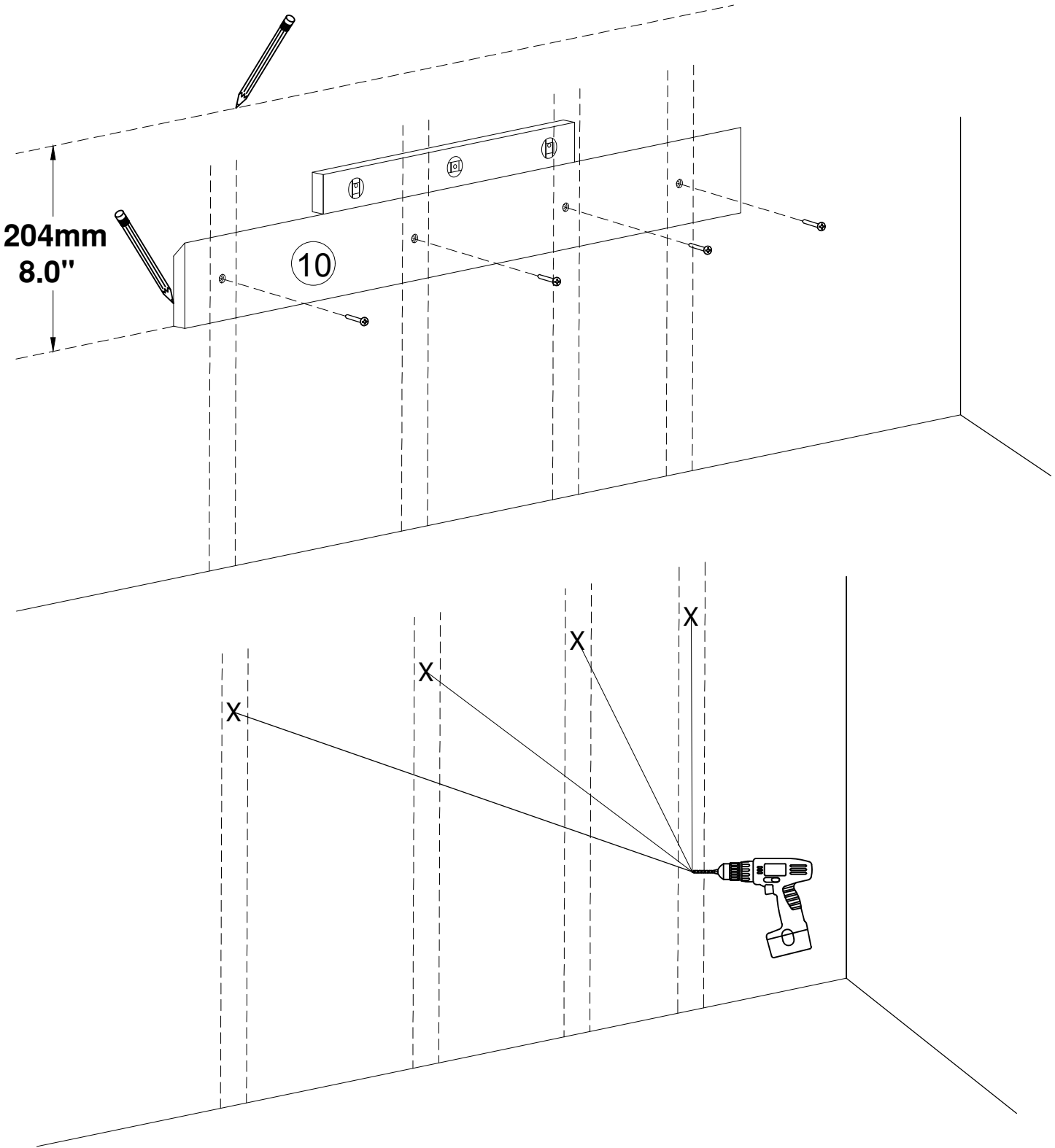
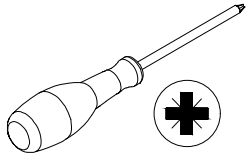


This step requires two people to complete

Ensure the hinge is flush against the panel when installing, then secure it with screws.

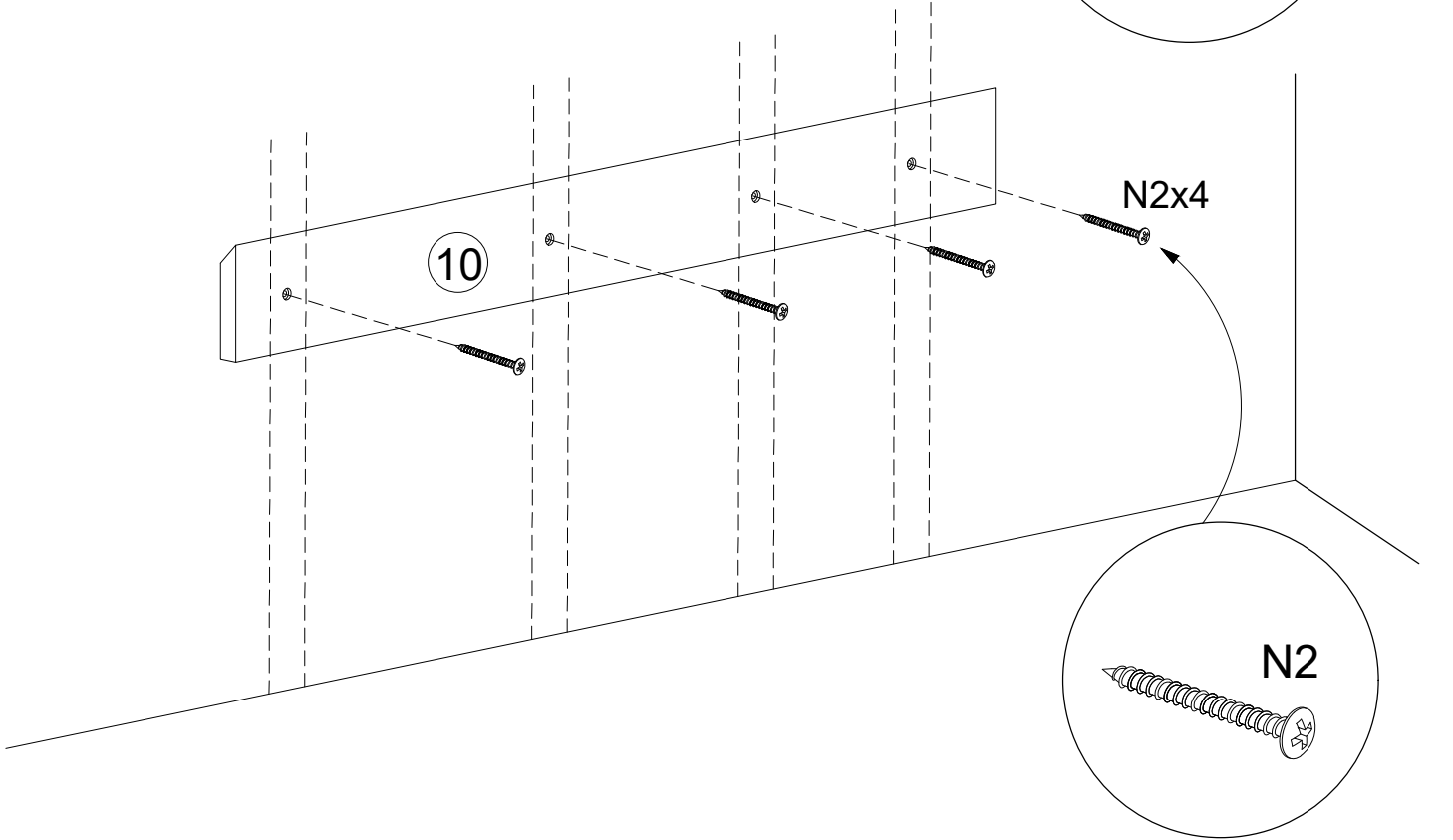
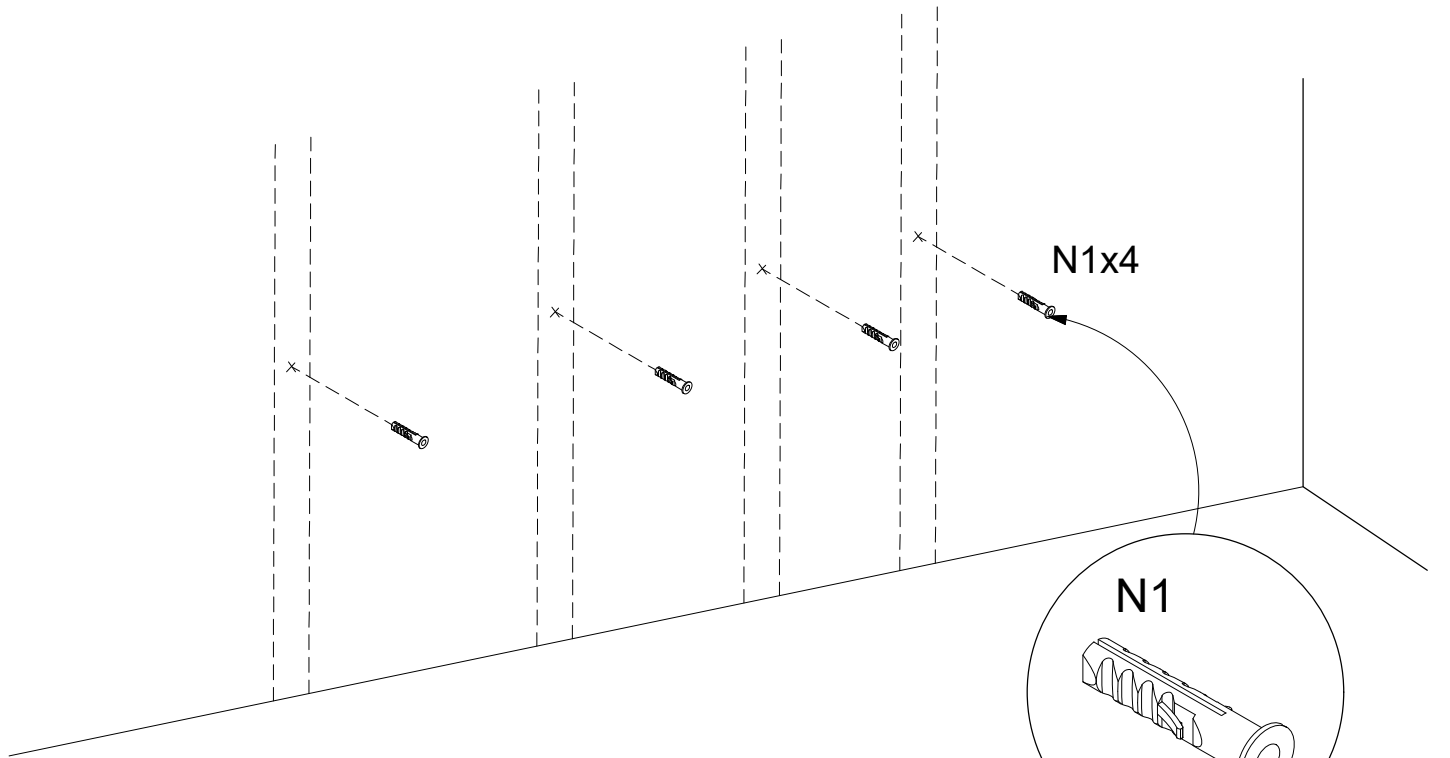
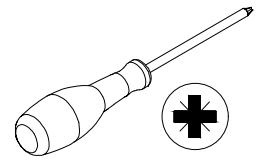
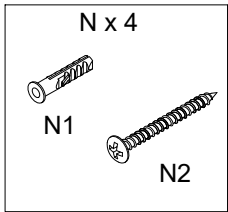
Note: If you encounter any issues, please contact customer service.

10




Note:If you encounter any issues,please contact customer service.

11

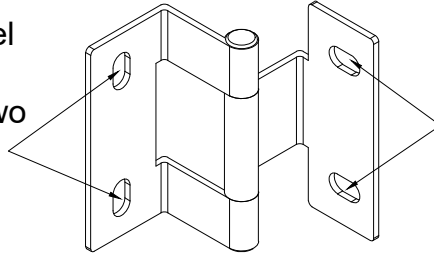


Note: If you encounter any issues, please contact customer service.

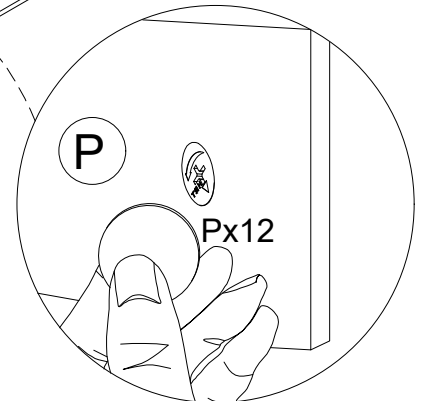
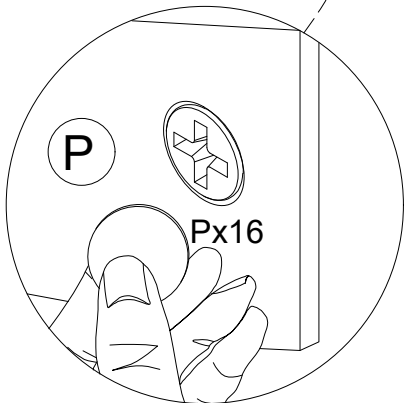
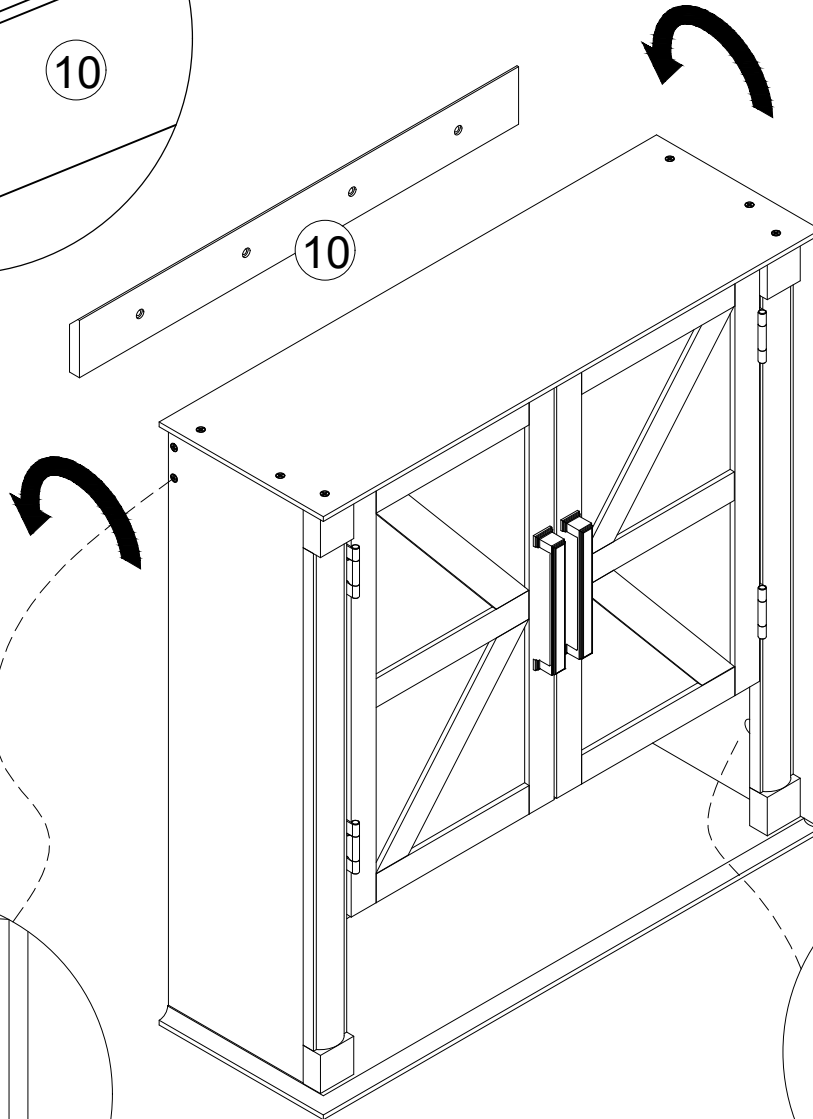
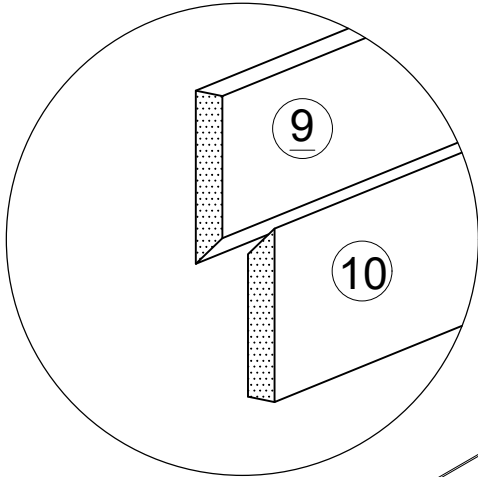
12

P x 28	
	
Ø23mm	

If the gap between the door panel and the cabinet is uneven after installation, you can use these two holes to adjust the vertical alignment of the door panel.



If the gap between the door panel and the cabinet is uneven from left to right after installation, you can use these two holes to adjust the horizontal alignment of the door panel.



Note: If you encounter any issues, please contact customer service.