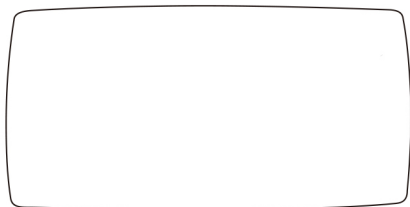


# Installation Instructions

A



X1

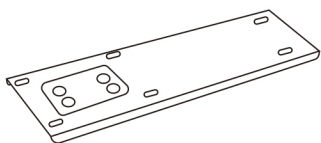
Please follow this illustration step by step , and don't hesitate to contact us if you have any questions during installation .We are always here to help.

B



X1

C



X1

D



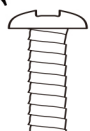
X1

E



X1

F



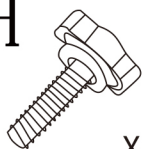
8\*40mm X8

G



6\*13mm X6

H



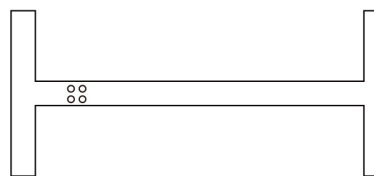
X1

I

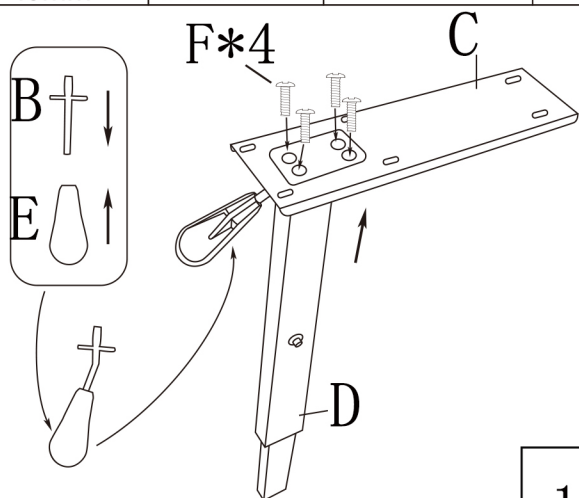


X1

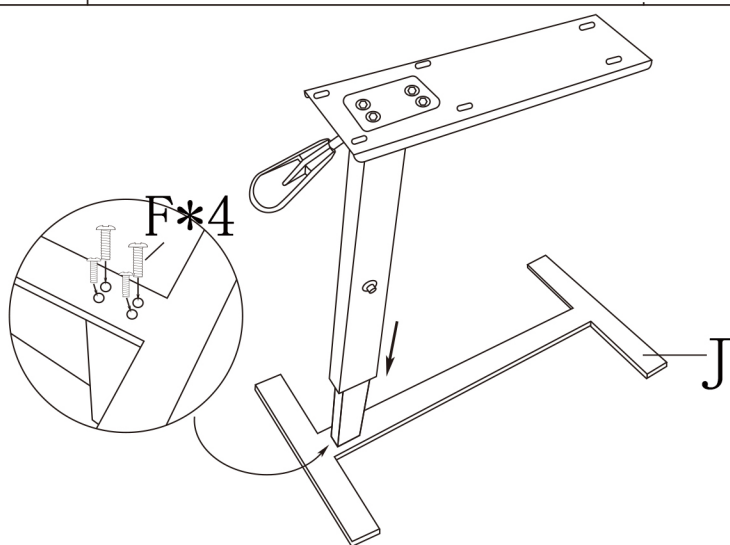
J



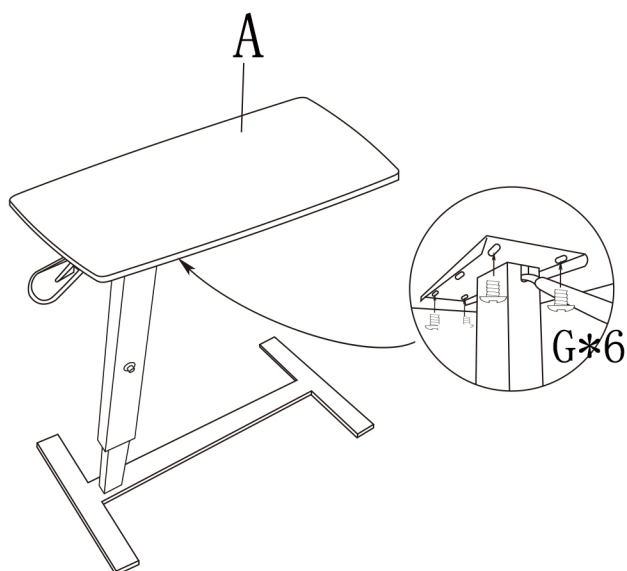
X1



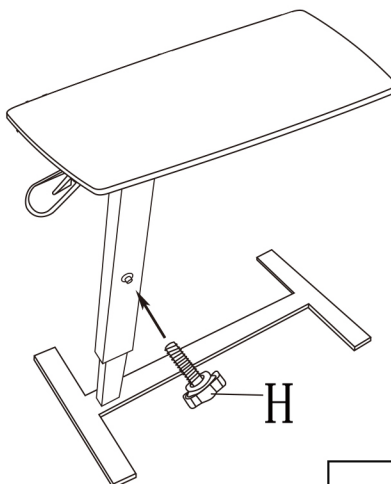
1



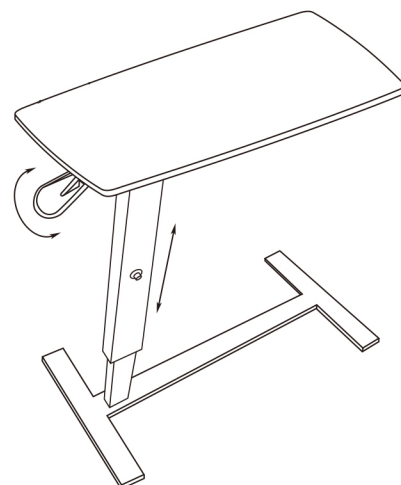
2



3



4



Done !

5