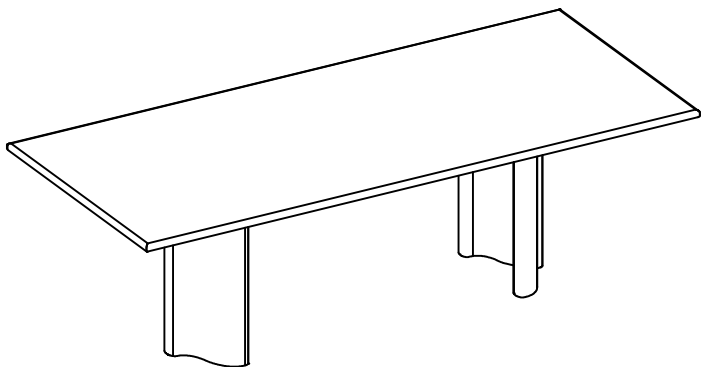






**ASSEMBLY INSTRUCTION FOR
MODEL: PERSHING DINING TABLE**



HARDWARE LIST

A		Bolt M8 x 40 mm	14
B		Spring Washer Ø8x2 mm	14
C		Flat Washer Ø19/Ø8x2 mm	14
D		Allen Key M4x60 mm	1

