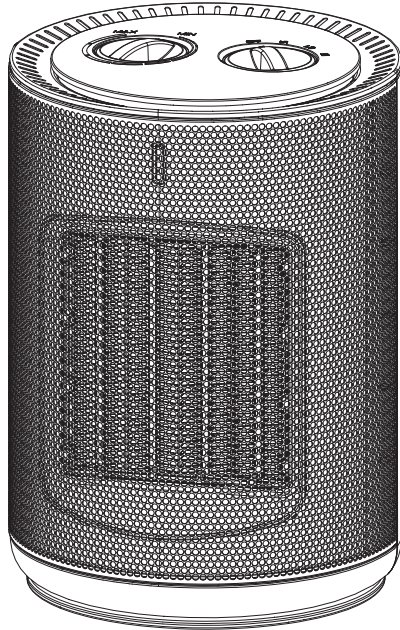


FAN HEATER INSTRUCTION MANUAL



MODEL NO.: ZFH016M
ITEM NO.: 36016HSH1

Voltage & Frequency: 120VAC 60Hz Power: 1500W

Read this booklet thoroughly before using and
save it for future reference



Scan the QR code to
watch the product videos



Web: www.electacticshop.com



Email: service@electacticshop.com

This product is intended ONLY for indoor household or office use. It is NOT intended for industrial or commercial use. Do not use the product outdoors.

IMPORTANT INSTRUCTIONS

When using electrical appliances, basic precautions should always be followed to reduce the risk of fire, electric shock, injury to persons, and hyperthermia, including the following:

1. Read all instructions before using this heater.

2. This heater is hot when in use. To avoid burns, do not let bare skin touch hot surfaces. If provided, use handles when moving this heater. Keep combustible materials, such as furniture, pillows, bedding, papers, clothes, and curtains at least 3 feet (0.9 m) from the front of the heater and keep them away from the sides and rear.

3. Extreme caution is necessary when any heater is used by or near children or invalids and whenever the heater is left operating and unattended.

4. Always unplug heater when not in use.

5. Do not operate any heater with a damaged cord or plug or after the heater malfunctions, has been dropped or damaged in any manner. Discard heater, or return to authorized service facility for examination and/or repair.

6. Do not use outdoors.

7. This heater is not intended for use in bathrooms, laundry areas and similar indoor locations. Never locate heater where it may fall into a bathtub or other water container.

8. Do not run cord under carpeting. Do not cover cord with throw rugs, runners, or similar coverings. Do not route cord under furniture or appliances. Arrange cord away from traffic area and where it will not be tripped over.

9. To disconnect heater, turn controls off, then remove plug from outlet.

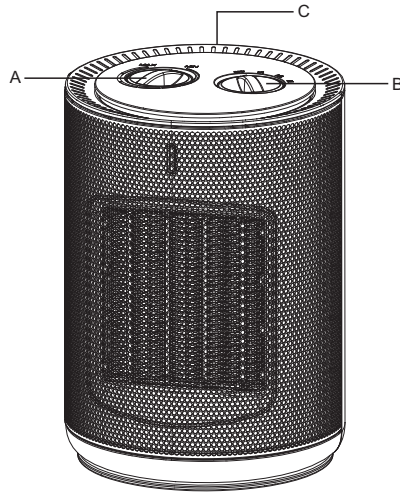
10. Do not insert or allow foreign objects to enter any ventilation or exhaust opening as this may cause an electric shock or fire, or damage the heater.

11. To prevent a possible fire, do not block air intake or exhaust in any manner. Do not use it on soft surfaces, like a bed, where openings may become blocked.

12. A heater has hot and arcing or sparking parts inside. Do not use it in areas where gasoline, paint, or flammable liquids are used or stored.


13. Use this heater only as described in this manual. Any other use not recommended by the manufacturer may cause fire, electric shock, or injury to persons.
14. Always plug heaters directly into a wall outlet/receptacle. Never use it with an extension cord or relocatable power tap (outlet/power strip).
15. Hyperthermia can result in death. Symptoms of hyperthermia include high body temperature, headache, nausea, vomiting, tiredness, dizziness, fainting, and rapid pulse. If you begin to experience symptoms related to hyperthermia, turn off the heater and seek medical attention.
16. To avoid excessive room temperatures which can cause hyperthermia: DO NOT leave product running unattended in a confined space around infants, or individuals with reduced physical, sensory, or mental capabilities.
17. This appliance has a polarized plug to reduce the risk of electric shock. Do not modify the plug. If it doesn't fit, contact a qualified electrician.

SAVE THESE INSTRUCTIONS



- A. Adjustable thermostat
- B. Power switch
- C. Recessed handle (not shown)

OPERATING INSTRUCTIONS

1. Before using the heater make sure that it is on a flat and stable surface.
2. Turn off all the controls of the heater, and then plug directly into a standard grounded AC outlet. Ensure the plug is fully and securely inserted into the outlet.
3. To activate the heater, firstly, turn the thermostat switch to the MAX position. Secondly, turn the knob to the fan position “” for cool wind, turn the knob to “LO” for the warm wind-low power, and “HI” for hot wind-high power.
4. To completely shut the heater off, turn all the switches to off, and remove plug from the wall outlet when not in use.

Note: Do not force knob beyond its normal stop position.

The heater is provided with an anti-tilt switch that switches off the heater if it is overturned. It switches itself on again automatically when it is restored to its upright position.

OVERHEAT PROTECTION

This heater is protected with overheat protection that switches off the appliance automatically in case of severe overheating. In this case, unplug the appliance, wait about 30 minutes for it to cool down, and remove any possible cause of overheating to ensure nothing covers the heater. Check for damage to the appliance, the cord, and the plug. If there is no damage, plug the unit back in and switch it on as described above. If the heater still does not turn on, please contact Customer Service for assistance.

MAINTENANCE AND CLEANING

The appliance should be regularly cleaned when in use in accordance with the following instructions:

1. Unplug and let the appliance cool down before cleaning.
2. Gently clean the outside surface and the appliance's control panel with a damp, lint-free soft cloth.
3. If dust is present within the slits of the device, it is recommended to blow them through the use of a vacuum cleaner or a blower.
4. Do not use chemical cleaners or solvents or harsh detergents as they may damage the appliance feet.

- 1.Keep the original packaging to disassemble the appliance and store it.
- 2.Keep the appliance in a dry and clean place.
- 3.Store the unit out of reach of children.

ROWAN ELECTRIC APPLIANCE LLC

**8:30am–5:30pm P.S.T.
Monday to Friday**



Web: www.electacticshop.com



Email: service@electacticshop.com