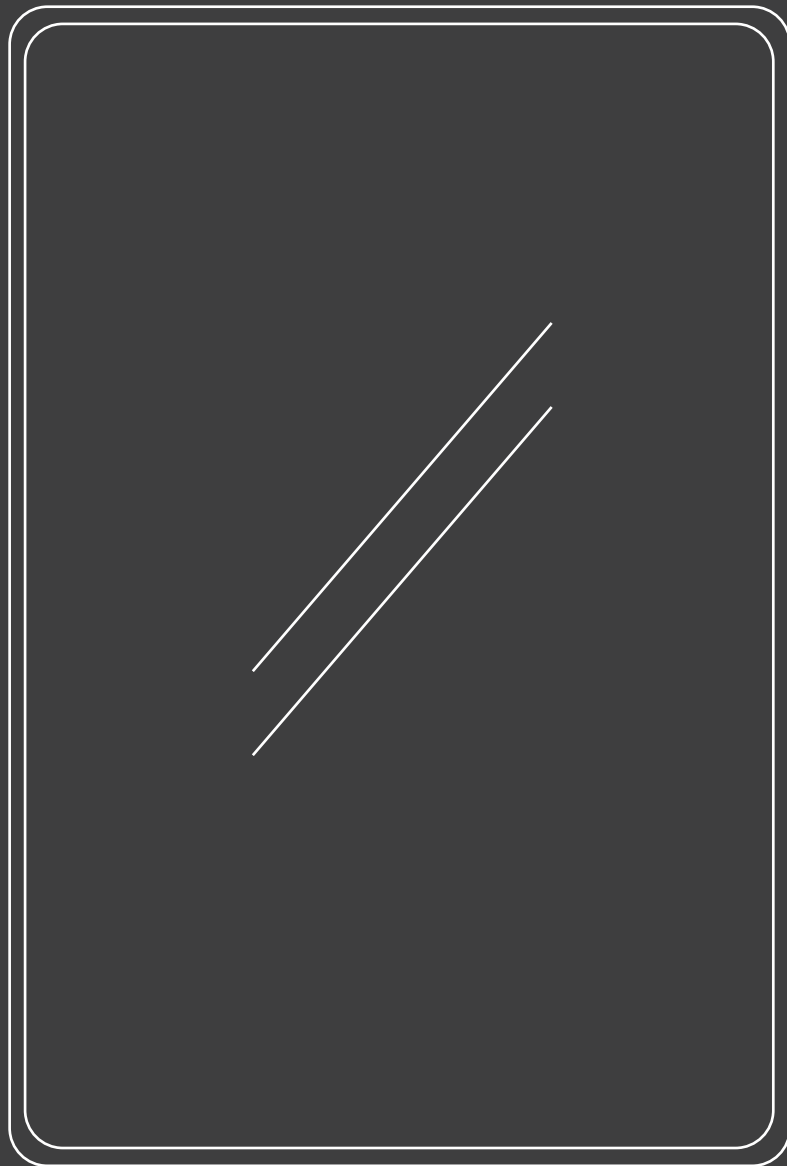


Wall-mounted Mirror

Instruction Manual



Before Assembly

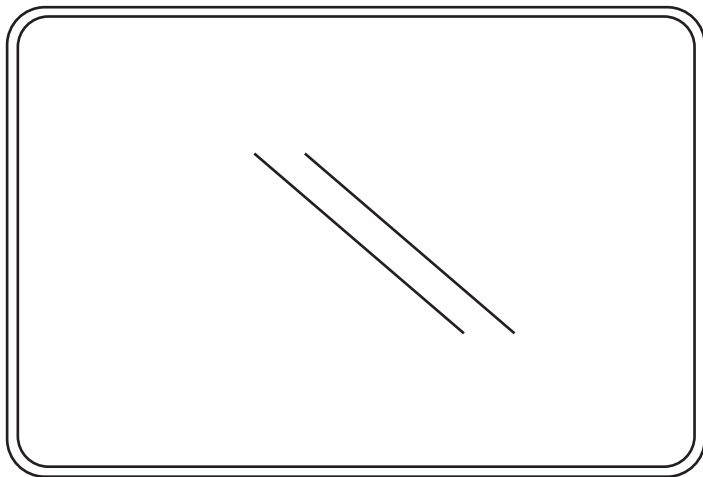
Assembly Tips

- Check the list of contents before assembly to ensure that all parts are included in the package.
- Make sure the wall can bear the weight of the mirror.
- Do not use string or chain to hang the products.

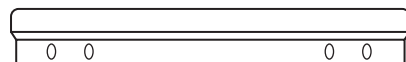
Care Advice

- Before using, clean with warm water and a soft, lint-free cloth.
- Check all the screws and bolts are tight every three months or as needed.
- Clean with an ammonia-free glass cleaner or detergent.
- Avoid spraying cleaners directly onto the mirror.

Package List



Mirror
x1



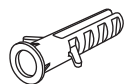
Hanging Piece
x1



Level
x1



Screws
x4

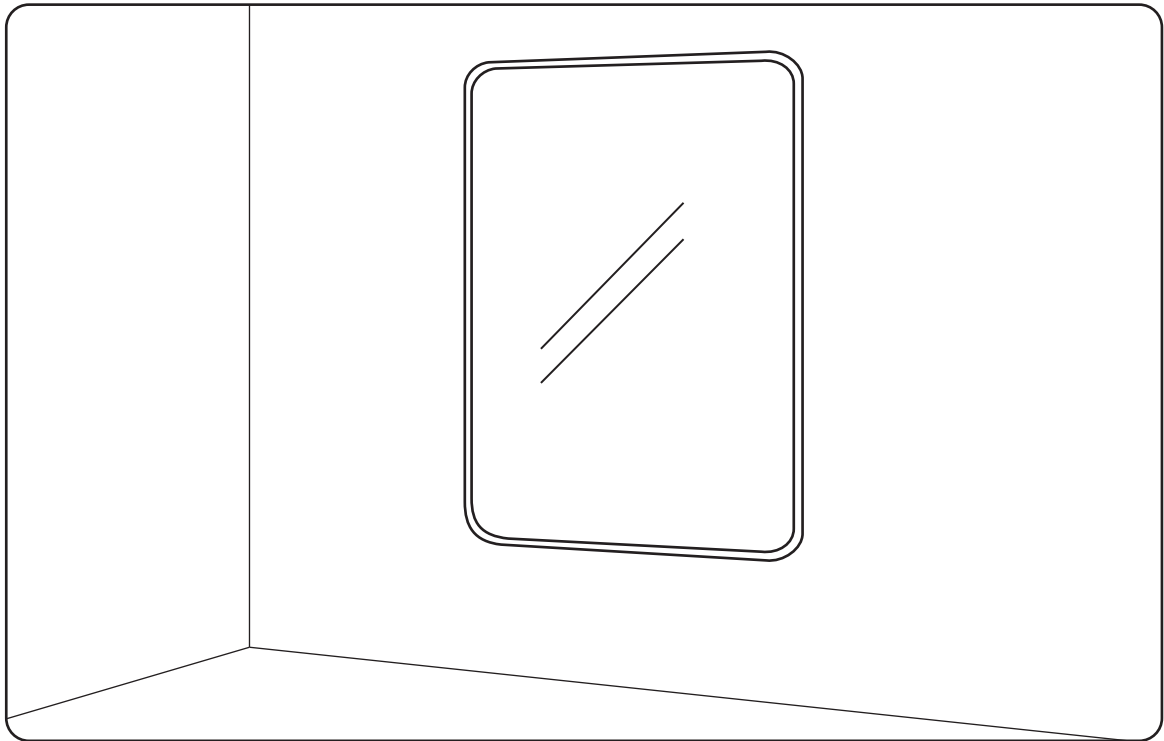
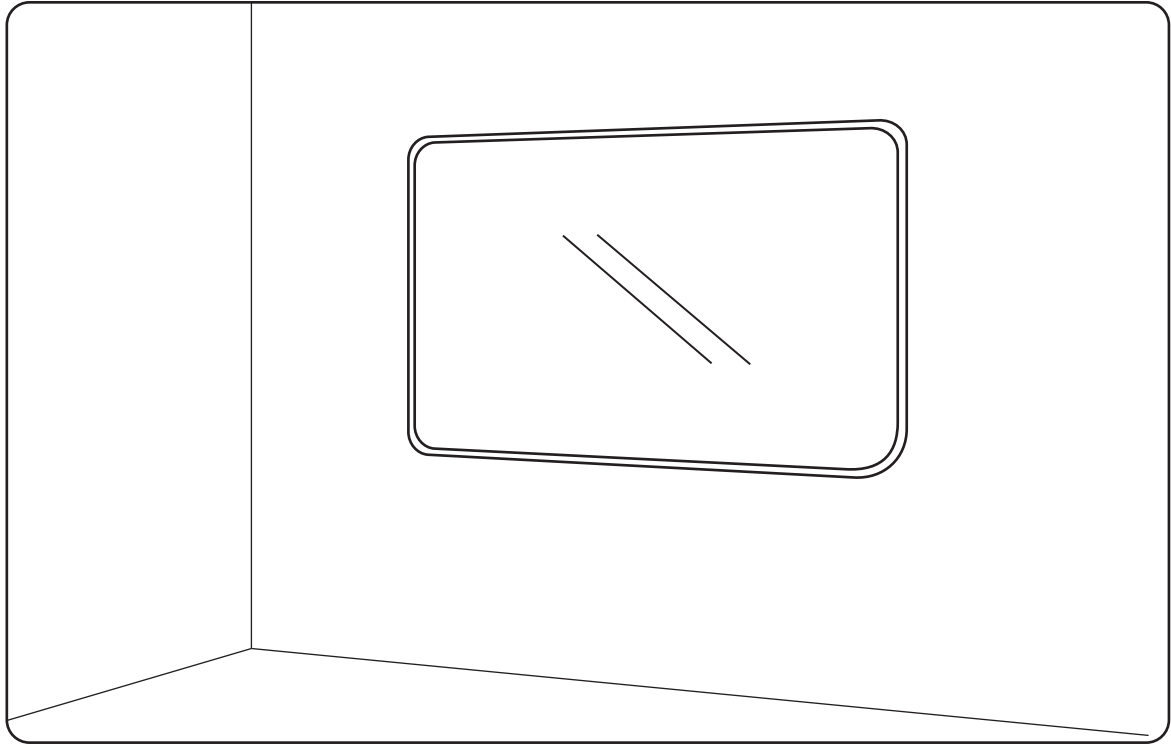


Expansion Tube
x4

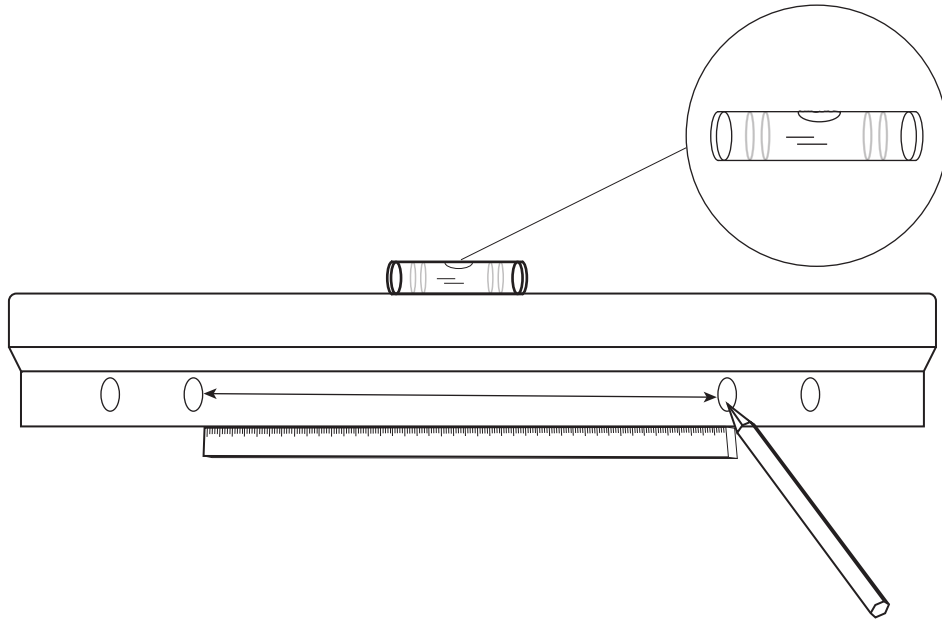
Tools Required (Not Provided)



Usage Method

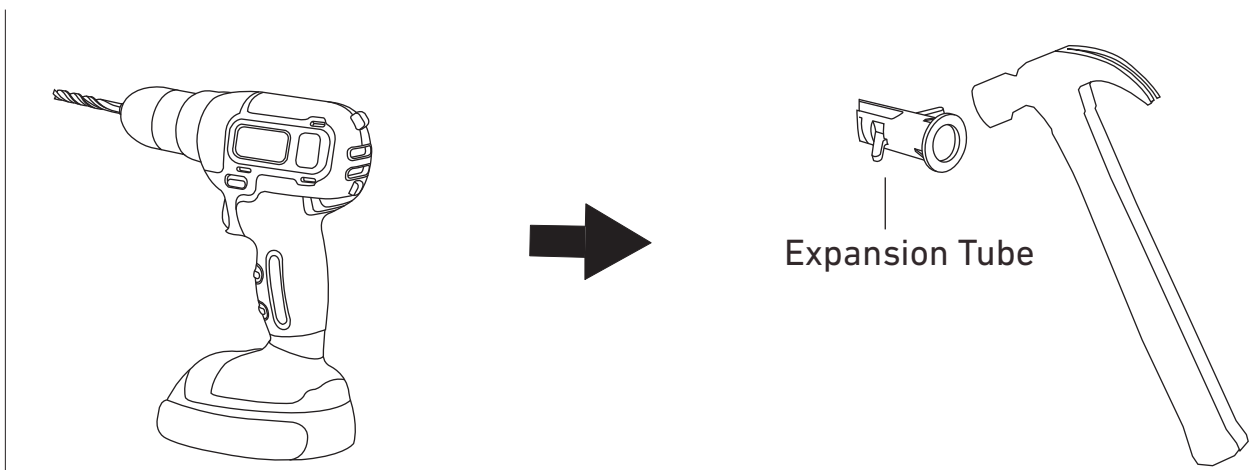


Step 1



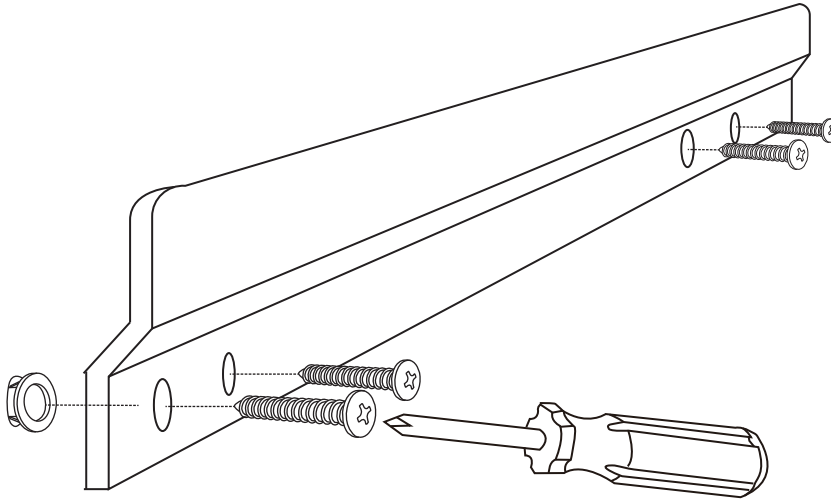
Use a Level to determine the horizontal position for Hanging Piece. Accurately measure the distance between the screw holes with a ruler, and mark the hole locations accordingly.

Step 2



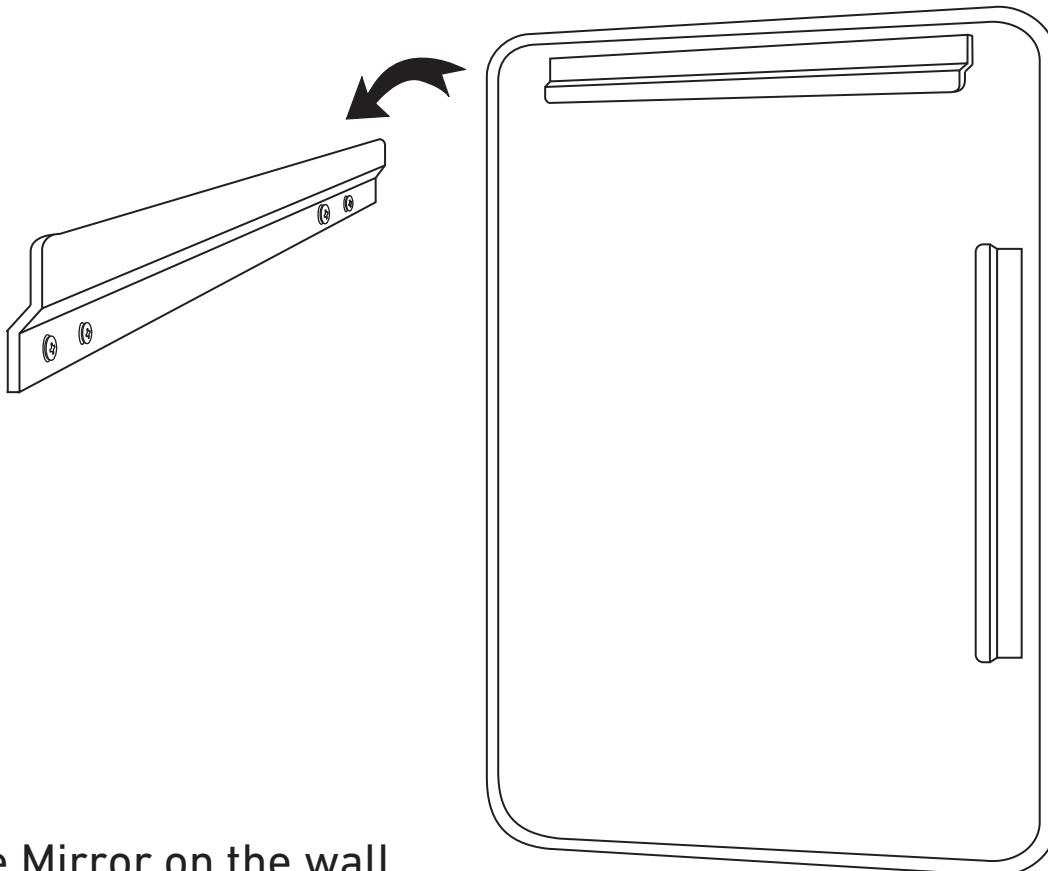
Drill holes at the marked positions on the wall. Hammer the Expansion Tube into the holes.

Step 3



Align the screw holes of the Hanging Piece with the Expansion Tube, and install it to the Expansion Tube with Screws.

Step 4



Hang the Mirror on the wall.

