

## ASSEMBLY INSTRUCTION DORSET HILL PUB TABLE

### IMPORTANT SAFETY CONSTRUCTION

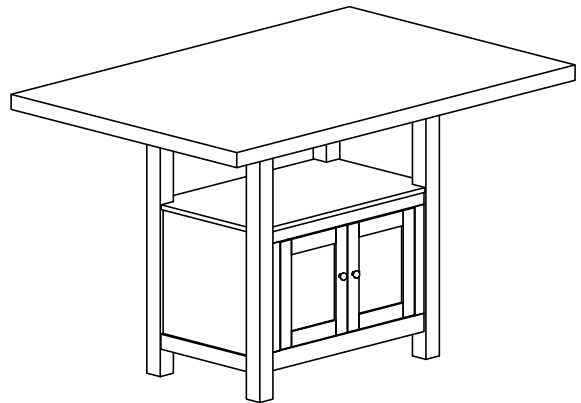
Thanks for purchasing this quality product. Be sure to check all packing material carefully for small parts that may have come loose inside the carton during shipment. Please read all instruction carefully before assembling. For your safety, assembly by two people is recommended.

### PARTS INCLUDED

- (1) Table top (a)
- (1) Top panel (b)
- (1) Bottom panel (c)
- (2) Side panel (d)
- (1) Back panel (e)
- (1) Front frame w/ Door(f)
- (4) Table legs (g)
- (2) Support bar (h)

### HARDWARE ENCLOSED

- A 10 x Ø8 x 45mm
- B 20 x Ø6 x 35mm
- C 30 x Ø8 x 13mm
- D 30 x Ø8 x 16mm
- E 1 x
- F 2 x
- G 2 x



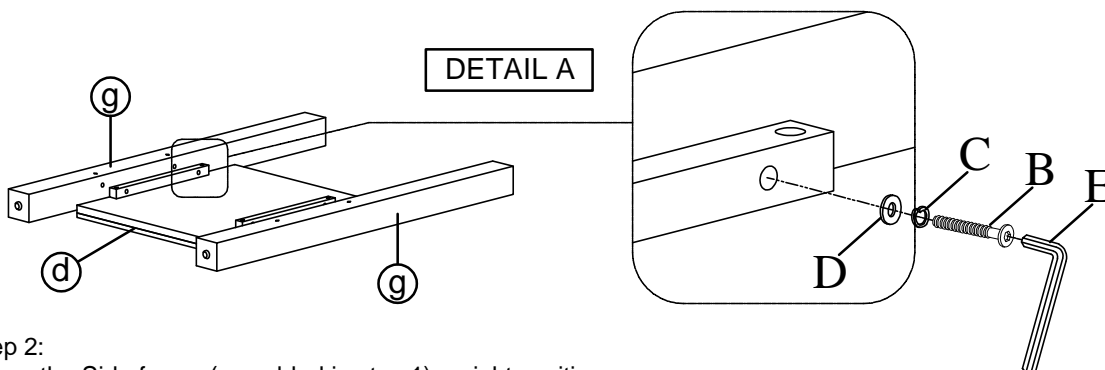
### ASSEMBLY INSTRUCTIONS

#### Step 1:

- Carefully place the leg on the smooth surface.
- Position the Side Panel (d) into designated location of the leg as shown.

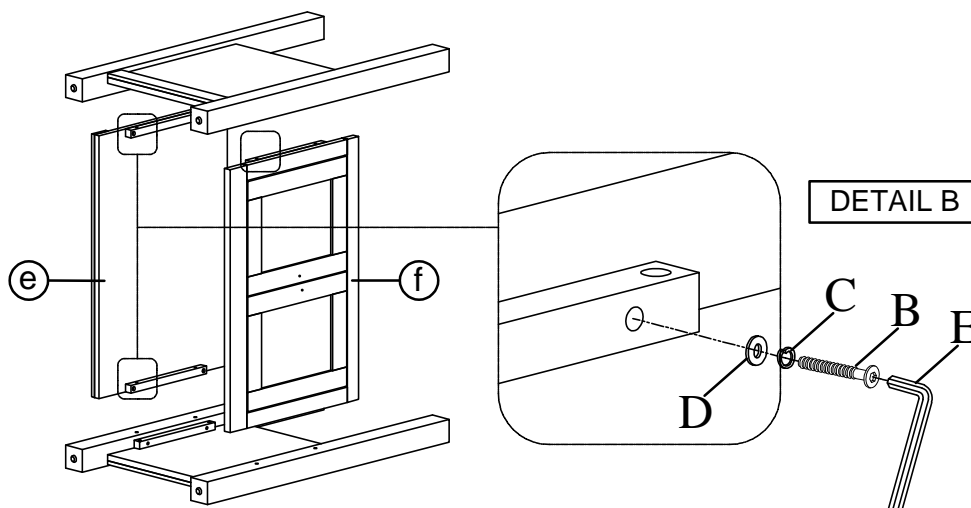
Insert the bolts (B) with washers (C) & (D) through pre-drilled holes in wood cleat of Side Panel. Tighten securely with the Allen key (E). (See Detail A).

- Do the same with other legs and Side Panel.



#### Step 2:

- Turn the Side frame (assembled in step 1) upright position.
- Position the Front frame (f) and the Back panel (e) onto designated location of the Side frame as shown. Insert the bolts (B) with washers (C) & (D) through pre-drilled holes in wood cleat of Side frame. Tighten securely with the Allen key (E). (See Detail B).



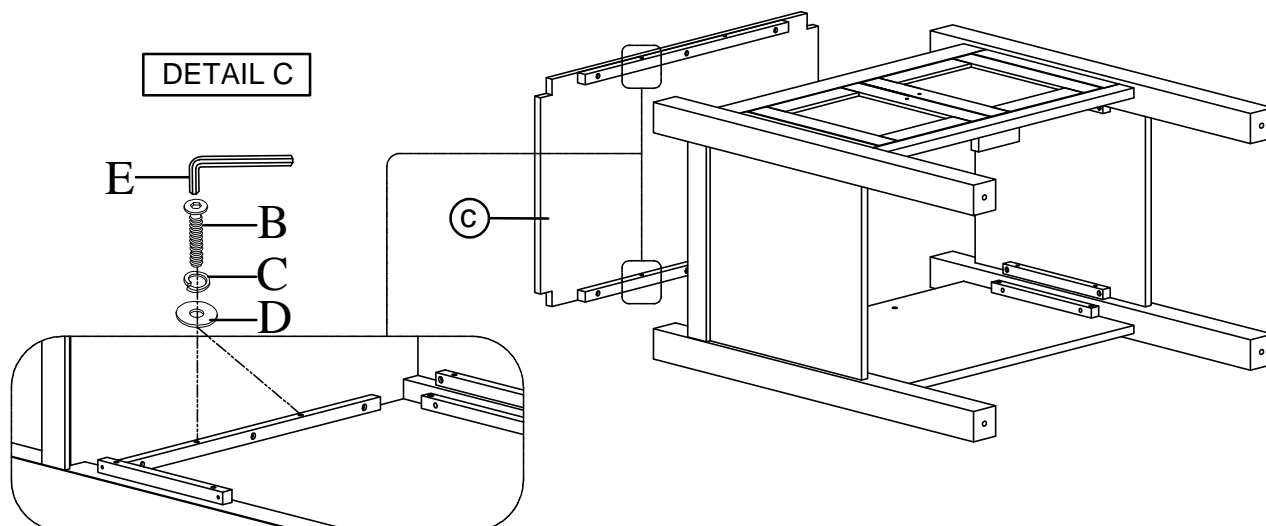
### NOTES:

The use of power tools for assembly is not recommended. Power tools can damage hardware or split wood.

**ASSEMBLY INSTRUCTION  
DORSET HILL PUB TABLE**

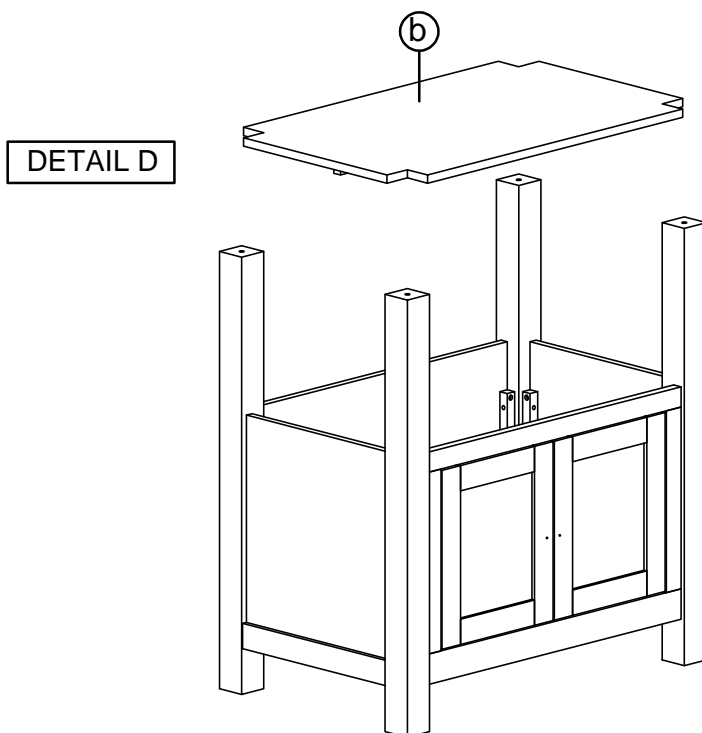
**Step 3:**

- Turn the storage box lay down carefully.
- Insert the bolt (B) with washers (C) & (D) through pre-drilled holes in bottom panel(c).
- Tighten securely with Allen Key (E). (See Detail C).



**Step 4:**

Insert the Top panel(b) after positioning all the Side Frame with Door frame as shown in Detail D.



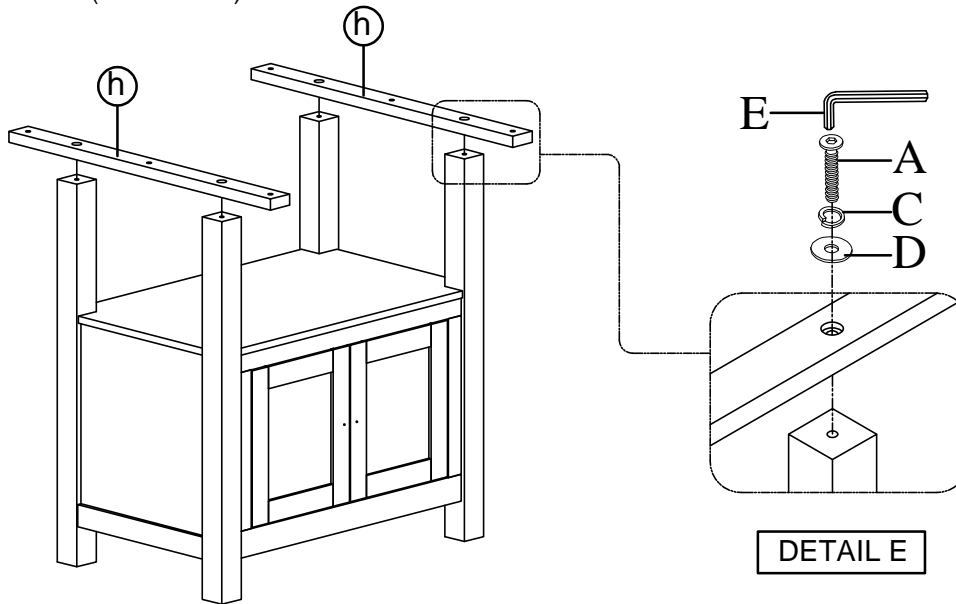
**NOTES:**

The use of power tools for assembly is not recommended. Power tools can damage hardware or split wood.

**ASSEMBLY INSTRUCTION  
DORSET HILL PUB TABLE**

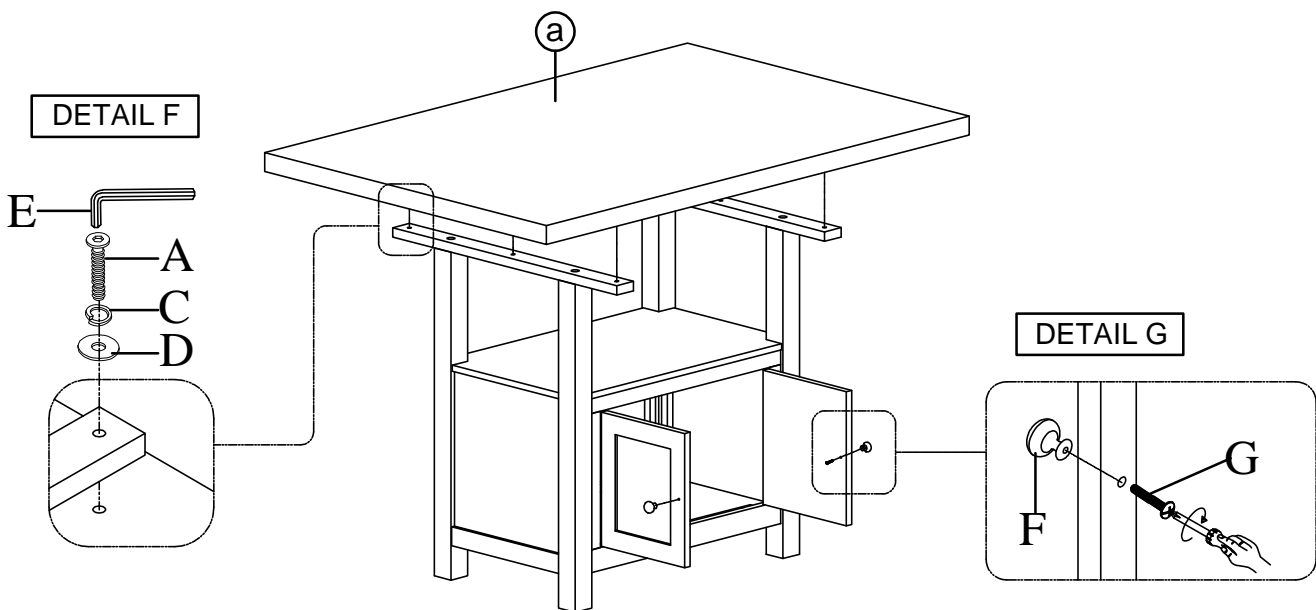
**Step 5:**

- Place the support bar(h) on the Table base. Insert the bolt (A) with washers (C) & (D) into holes at the support bar. (See Detail E)



**Step 6:**

- Carefully place the Table Top on the group panel into the open position as show.  
 - Insert the bolt (A) with washers (C) & (D) into holes at the support bar. (See Detail F)  
 - Affix knob (F) to the door by wooden screw (G) , screw tightening with a phillips head screwdriver (not provided). (See Detail G)



**NOTES:**

The use of power tools for assembly is not recommended. Power tools can damage hardware or split wood.