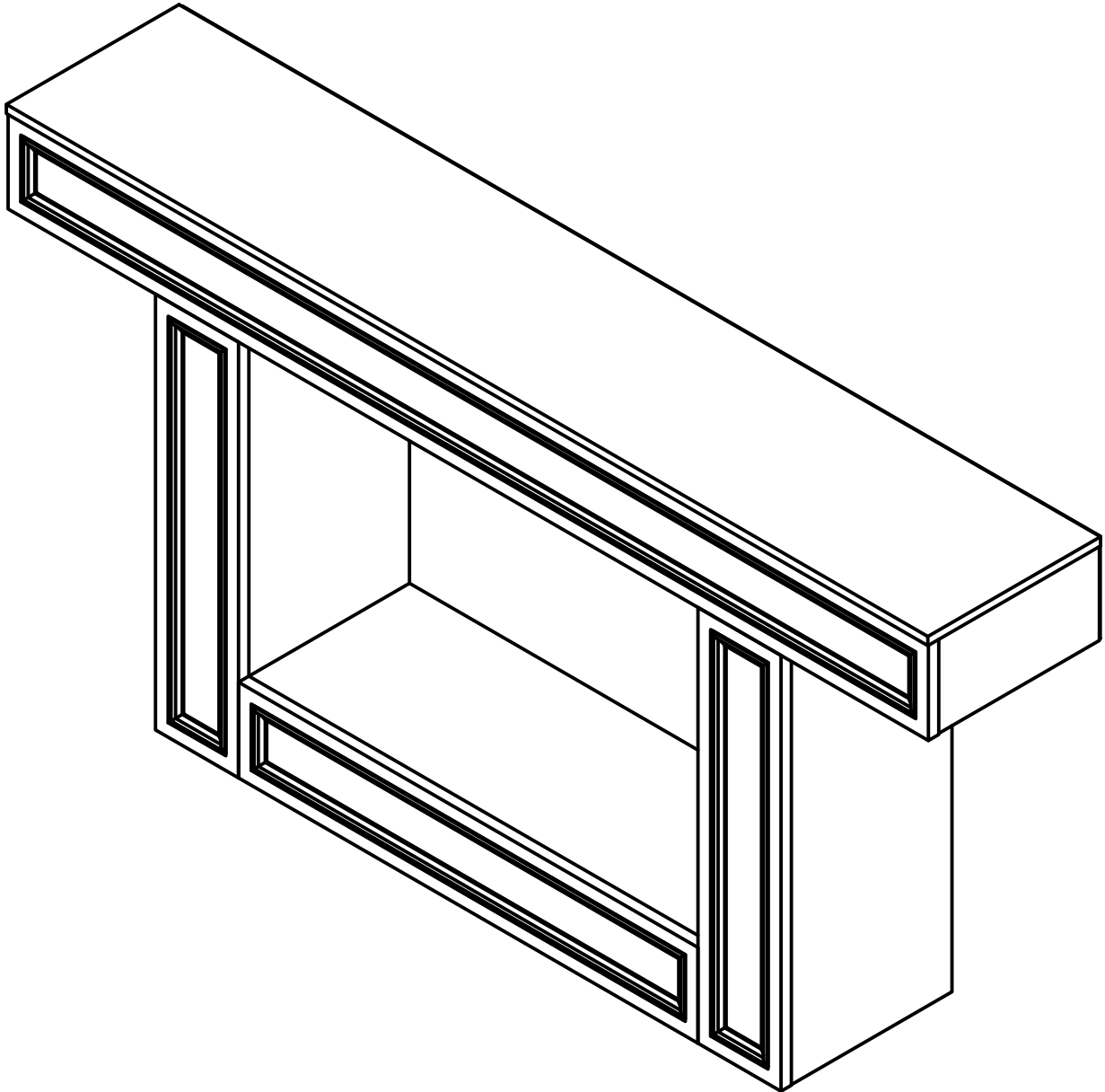


User Manual

Sofa Table

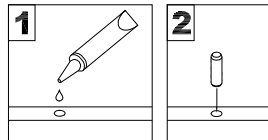


Warm Tips:

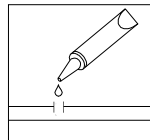
The assembly process is both challenging and fun. Please be patient and follow the instructions **STEP BY STEP**. You will feel exactly proud of yourself when you finish!

General Assembly Guidelines

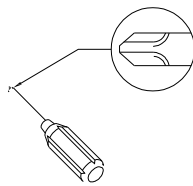
- I .Please ensure that all parts and hardware are available before assembly.
- II . Follow each step carefully to ensure the proper assembly of this product.
- III. For ease of assembly, two people are recommended to assemble this product.
- IV . The three main types of hardware are: wood dowels , screws and bolts.
- V . The glue is to secure wood dowels in place. When first inserting dowels, locate the appropriate hole for the dowel, and place a small amount of glue in the hole then insert the dowel. Please remember wipe away the excess glue immediately.



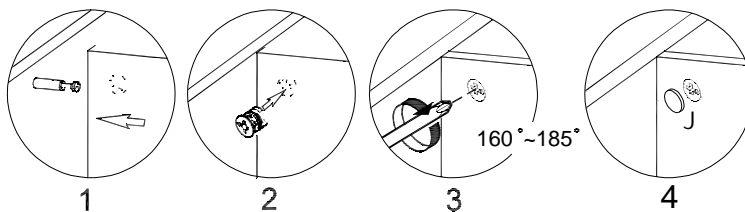
The dowels are necessary to attach assembly parts together in the following steps. Place a small amount of glue on the end of the dowel before attaching parts together. Please remember wipe away the excess glue immediately.



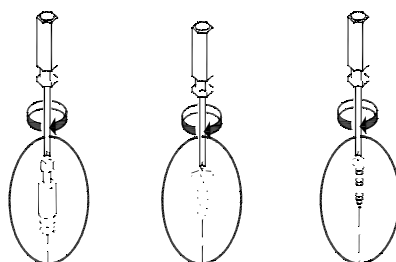
VI. A Phillips head screwdriver is required for the assembly of this product.



VII.Steps for assembly of three-in-one screws.

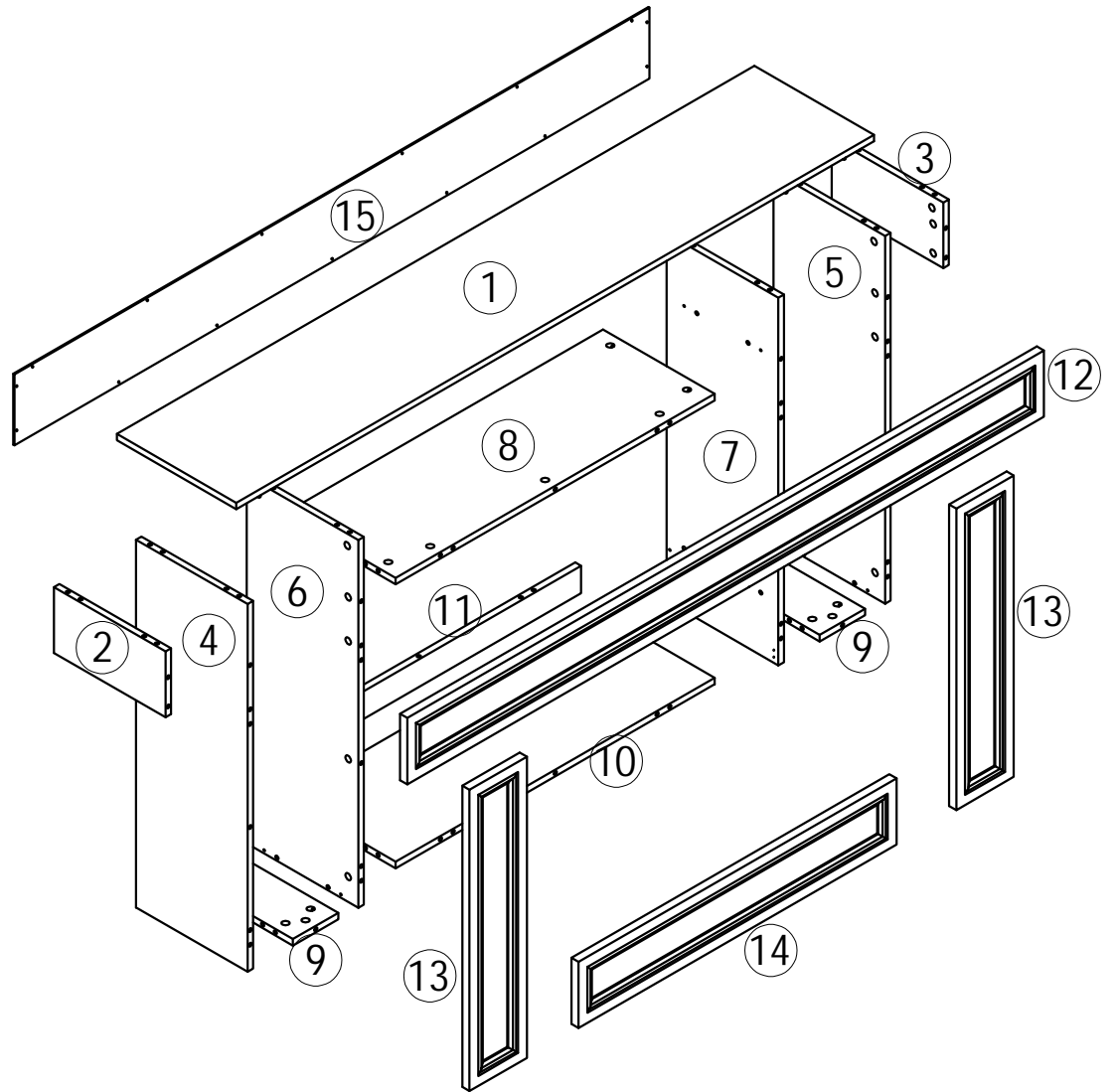


VIII.Screw fixation diagram for all fittings.

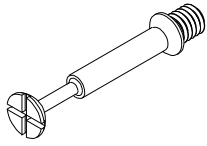


Parts List

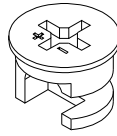
- ① x 1
- ② x 1
- ③ x 1
- ④ x 1
- ⑤ x 1
- ⑥ x 1
- ⑦ x 1
- ⑧ x 1
- ⑨ x 2
- ⑩ x 1
- ⑪ x 1
- ⑫ x 1
- ⑬ x 2
- ⑭ x 1
- ⑮ x 1



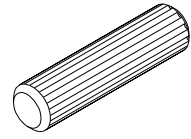
Hardware List



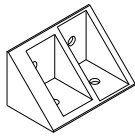
A x 63+2pcs



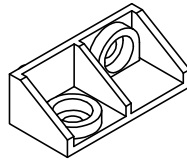
B x 63+2pcs



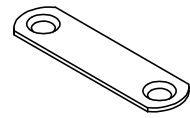
Ø8*30mm
C x 42+2pcs



D x 2pcs



E x 4pcs



F x 4pcs



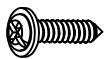
Ø3.5*15mm
G x 8pcs



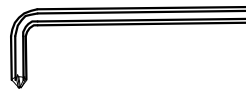
$\frac{1}{4}$ "x12mm
H x 8+1pcs



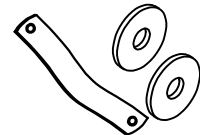
Ø3.5x12mm
I x 8pcs



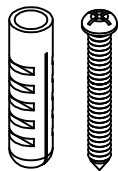
Ø3.5*16mm
J x 15+1pcs



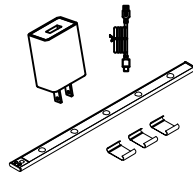
K x 1pcs



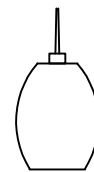
L x 2+4pcs



M x 2+2pcs



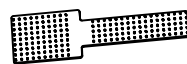
600mm
N x 1pcs



x 1pcs

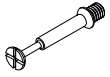


x 1pcs

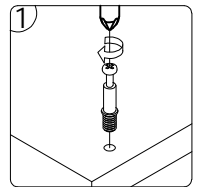
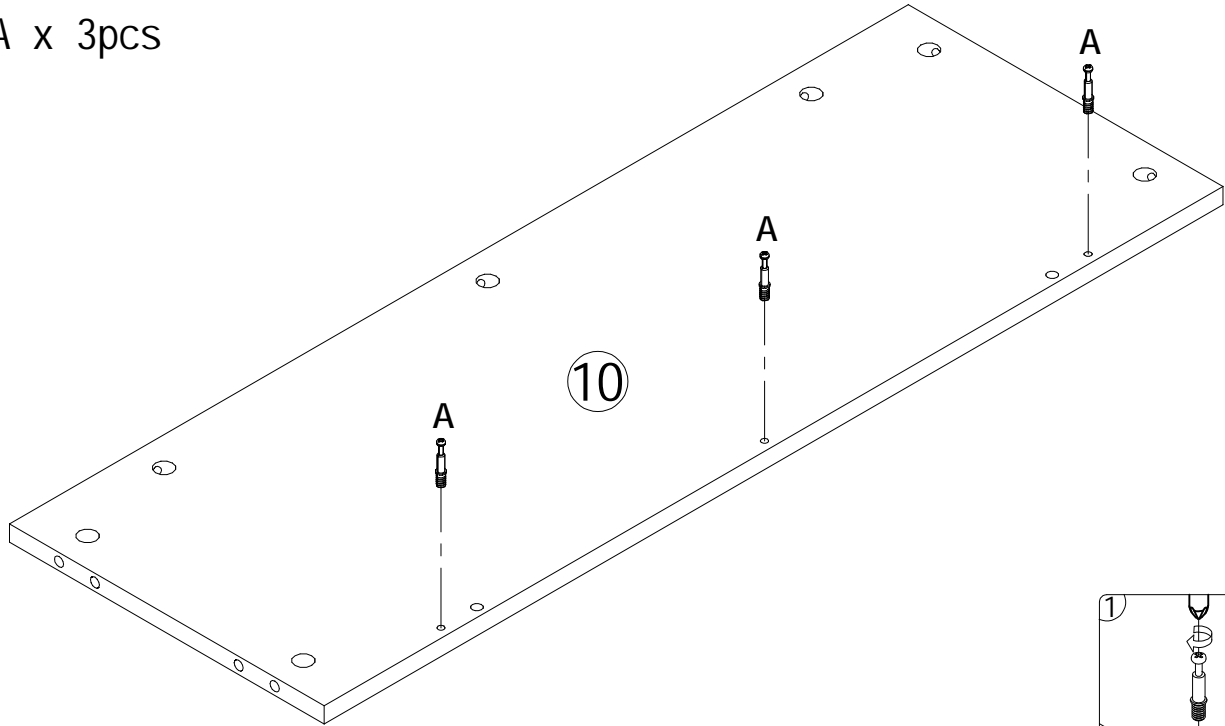


Power cord storage
x 2pcs

STEP#1



A x 3pcs



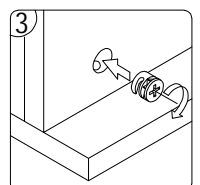
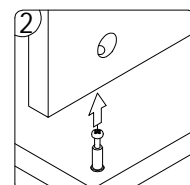
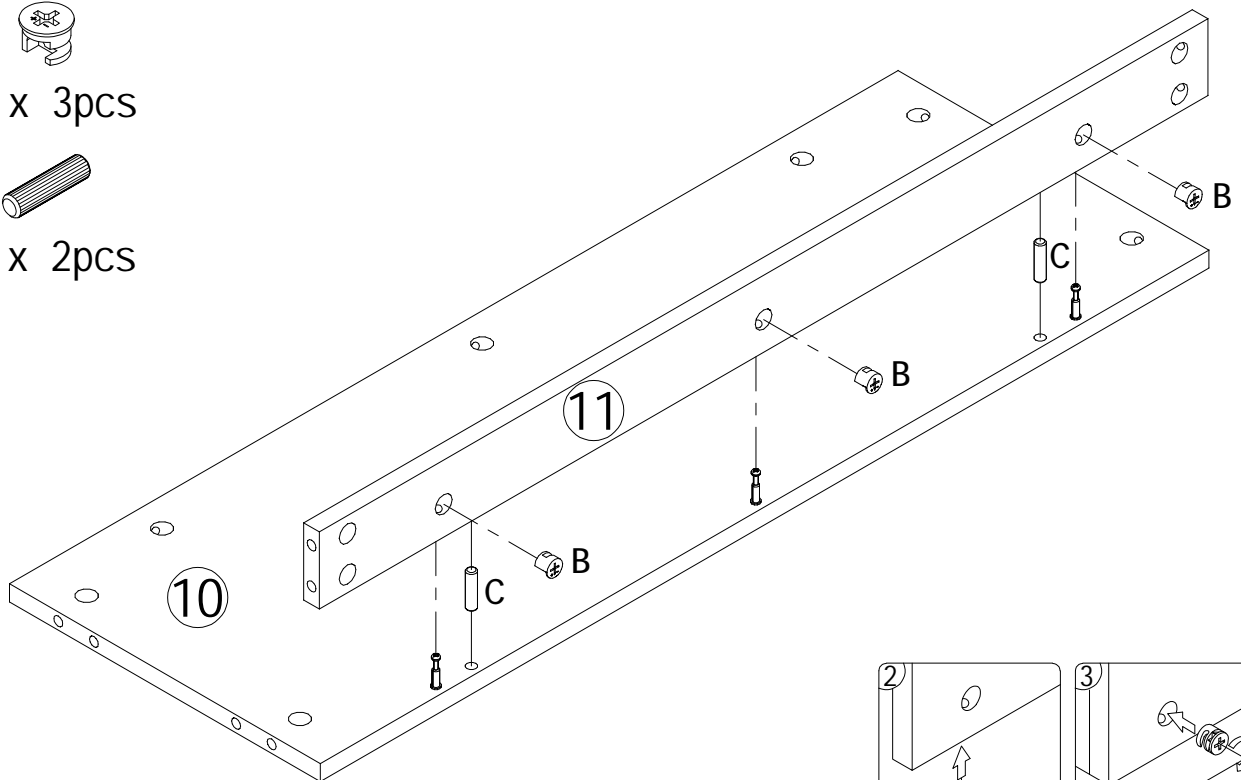
STEP#2



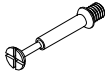
B x 3pcs



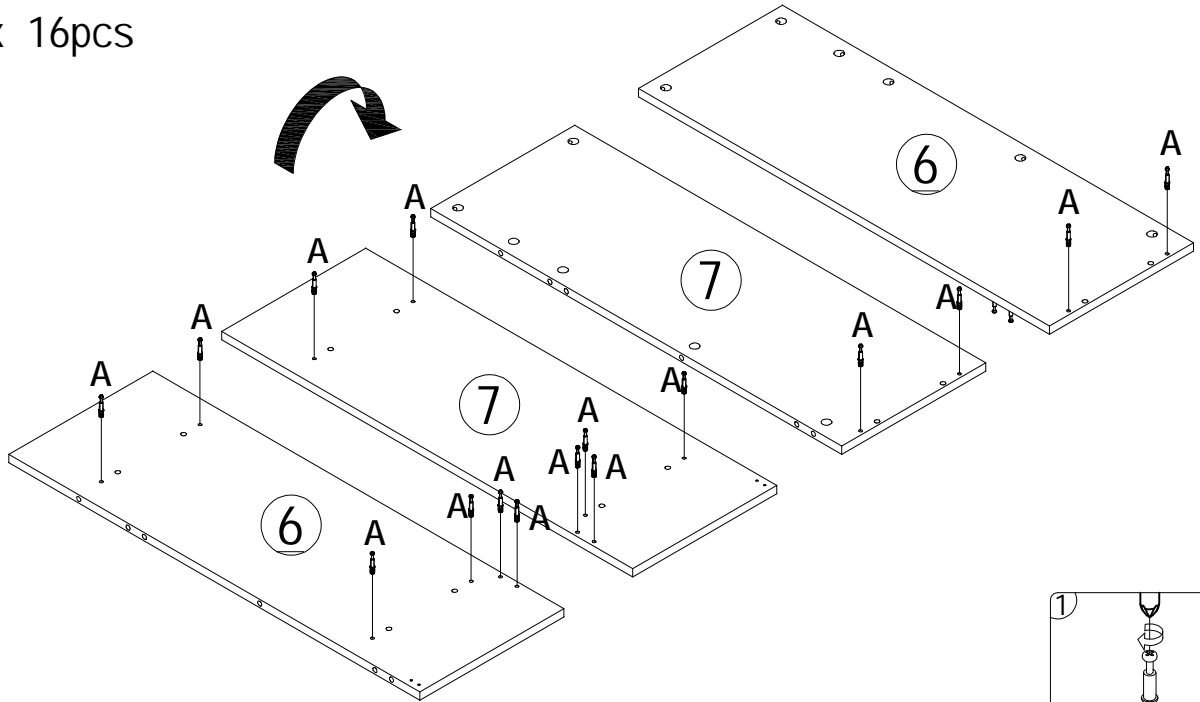
C x 2pcs



STEP#3



A x 16pcs



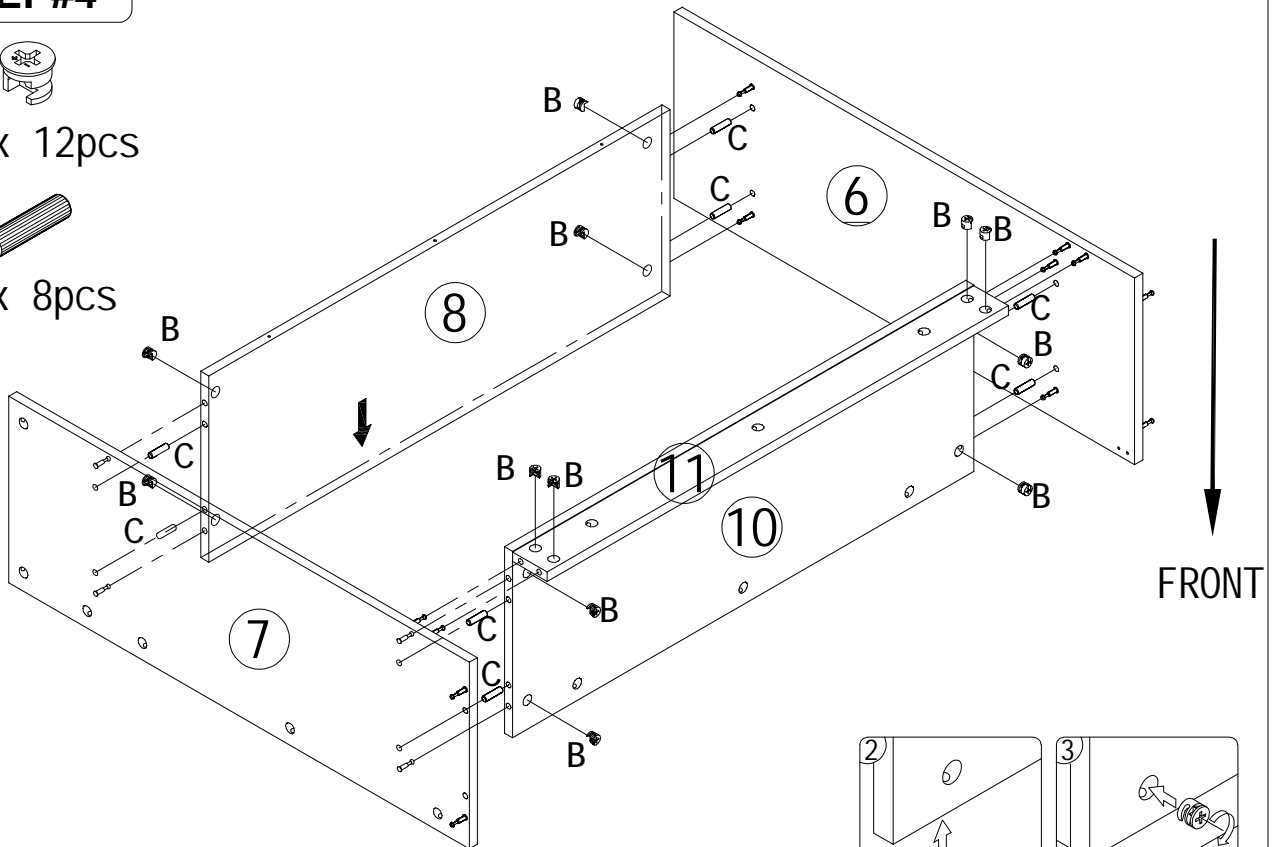
STEP#4



B x 12pcs



C x 8pcs



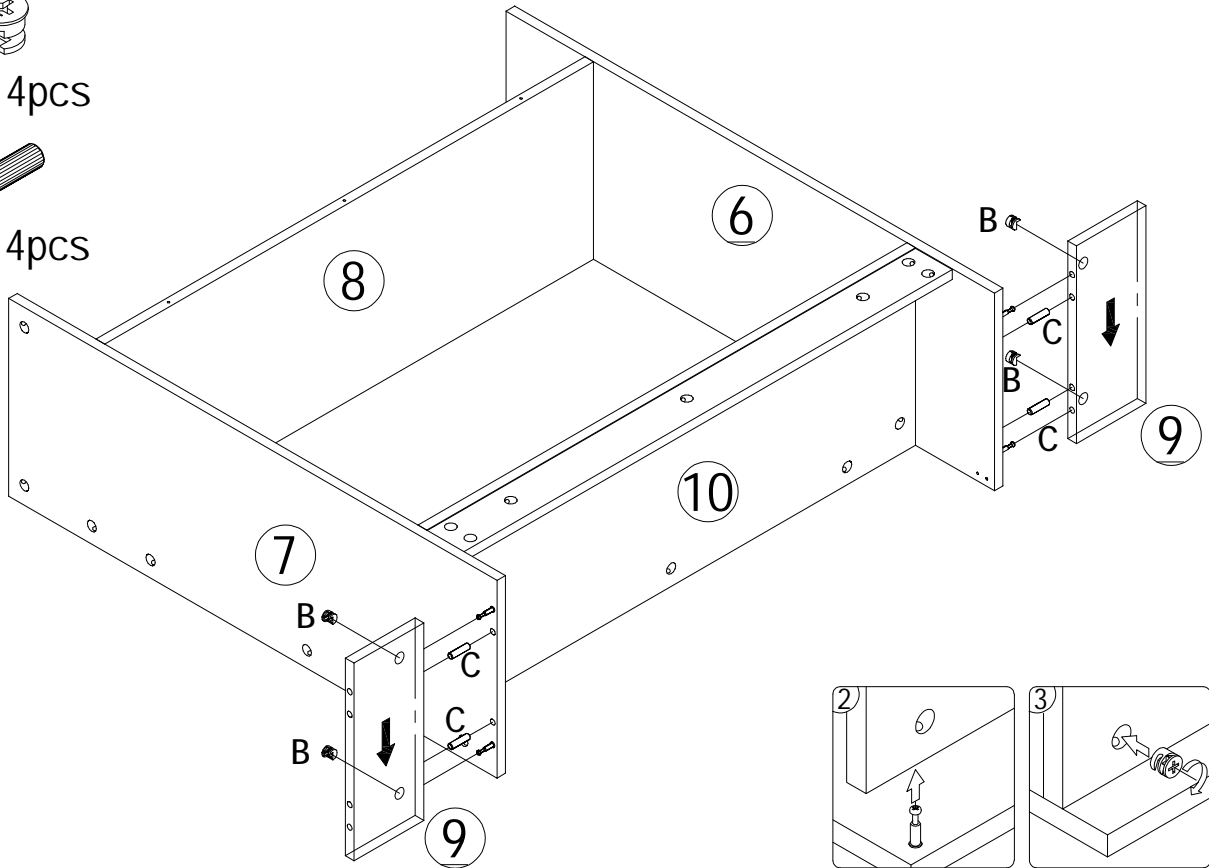
STEP#5



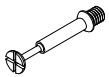
B x 4pcs



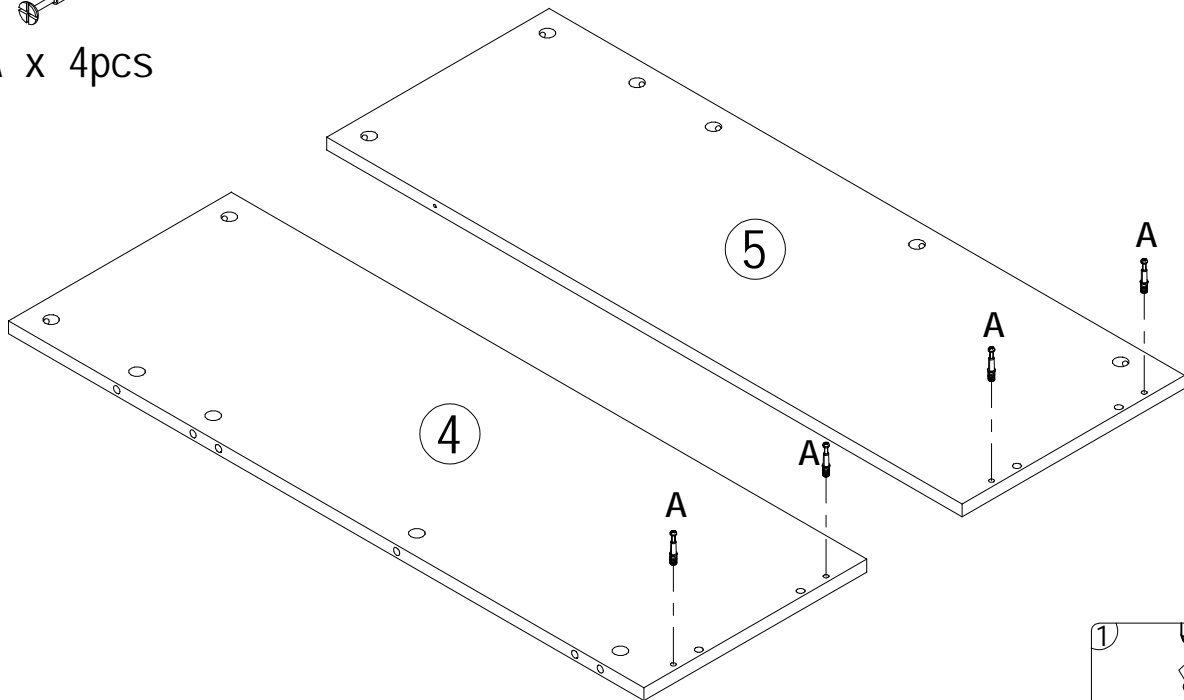
C x 4pcs



STEP#6



A x 4pcs



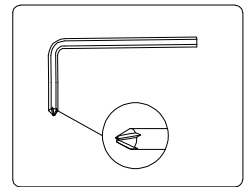
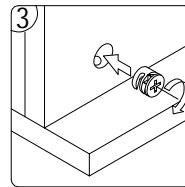
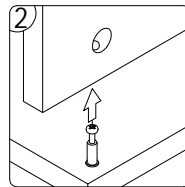
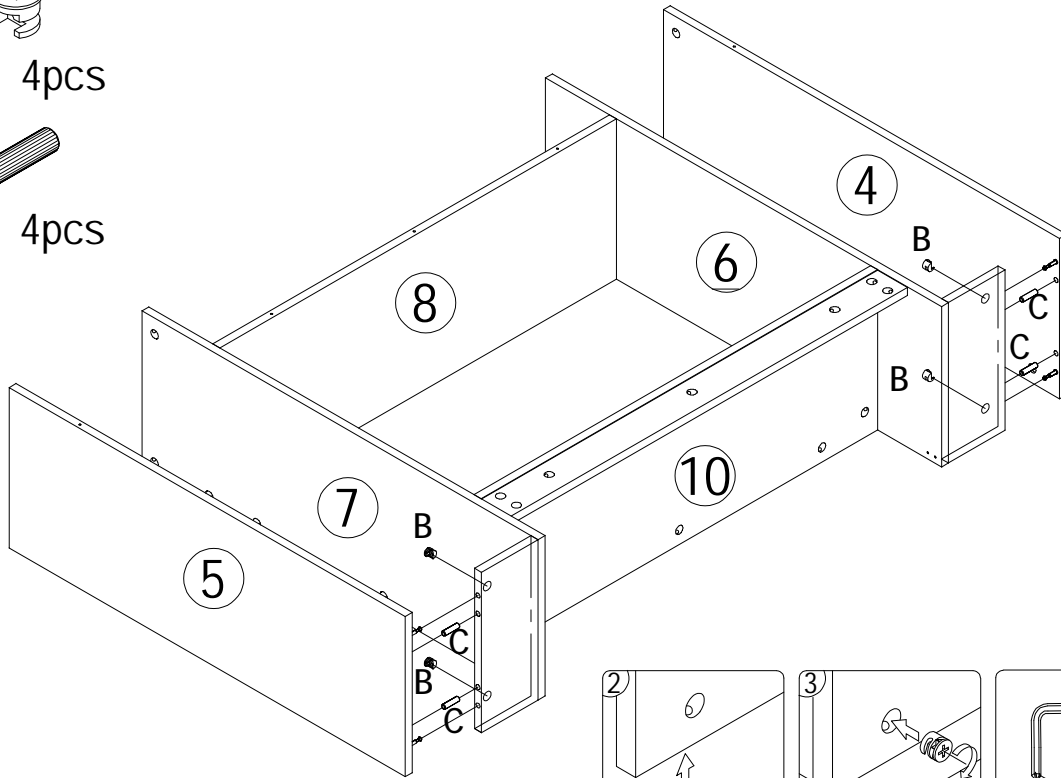
STEP#7



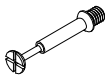
B x 4pcs



C x 4pcs



STEP#8



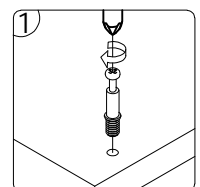
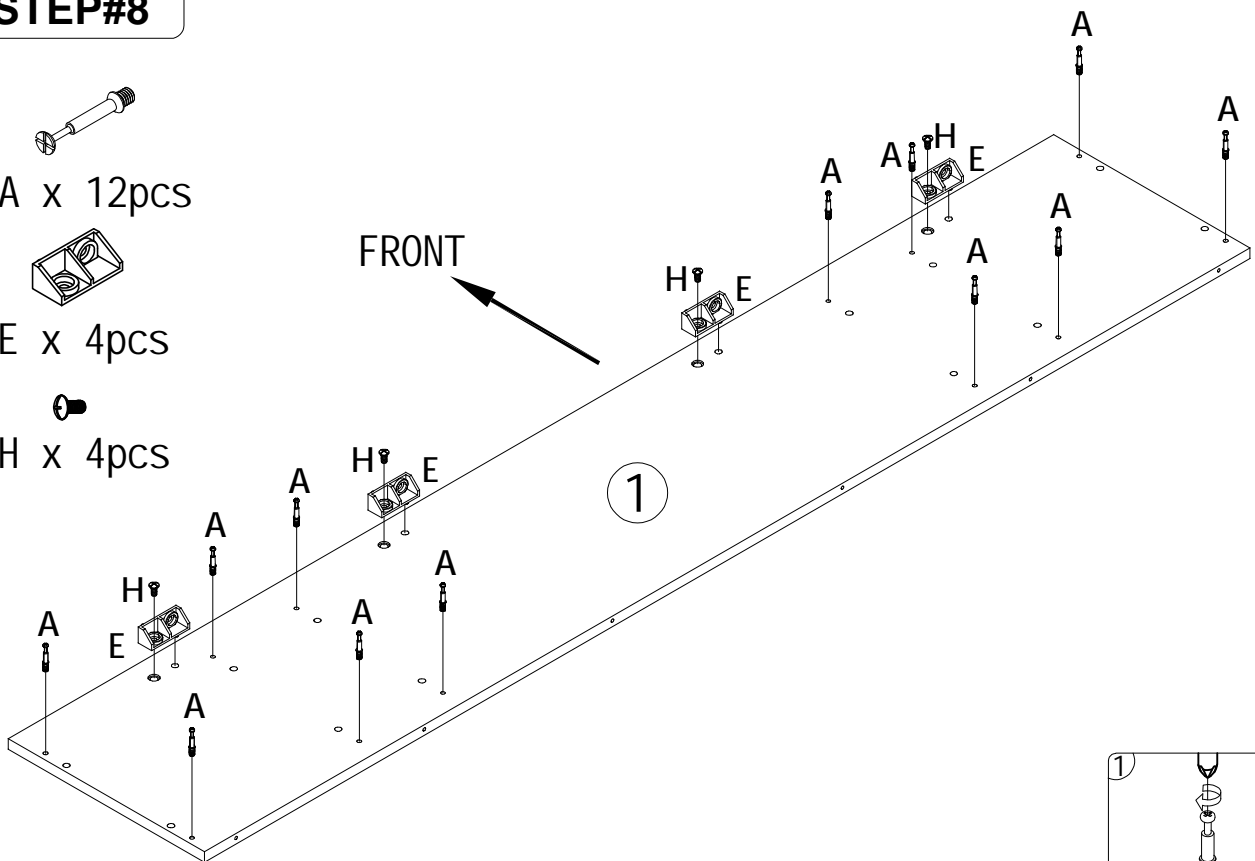
A x 12pcs



E x 4pcs



H x 4pcs



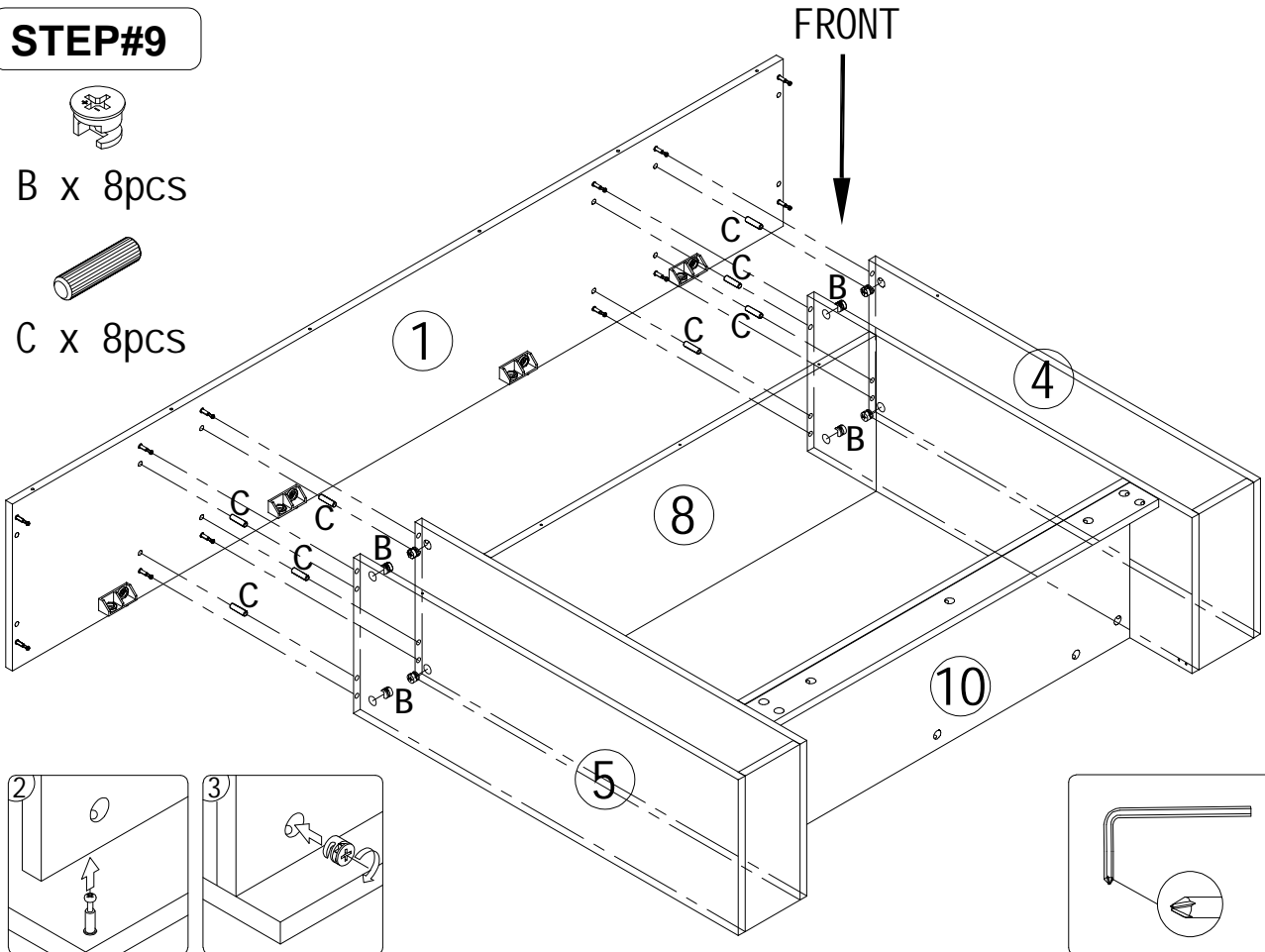
STEP#9



B x 8pcs



C x 8pcs



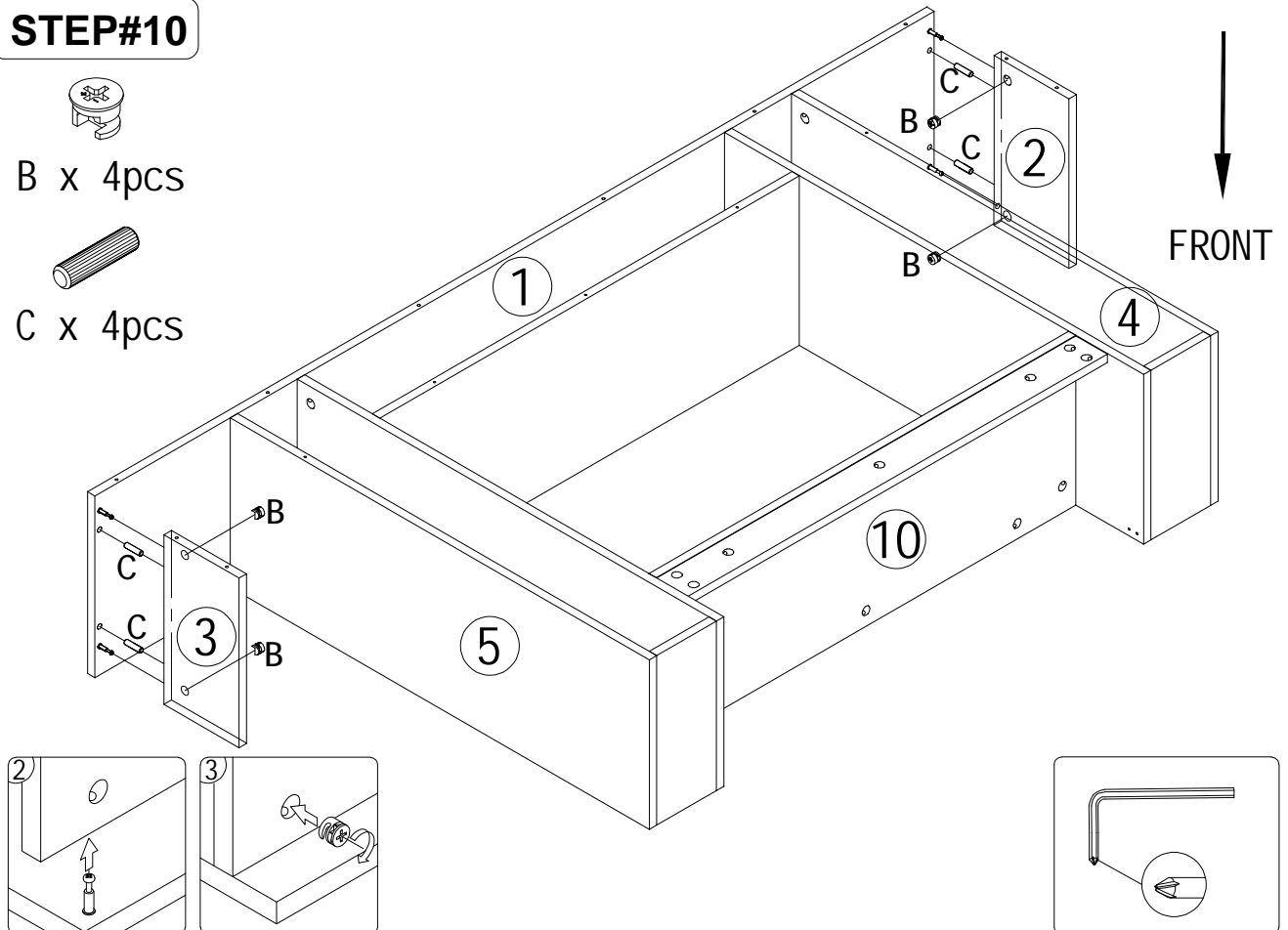
STEP#10



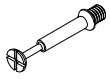
B x 4pcs



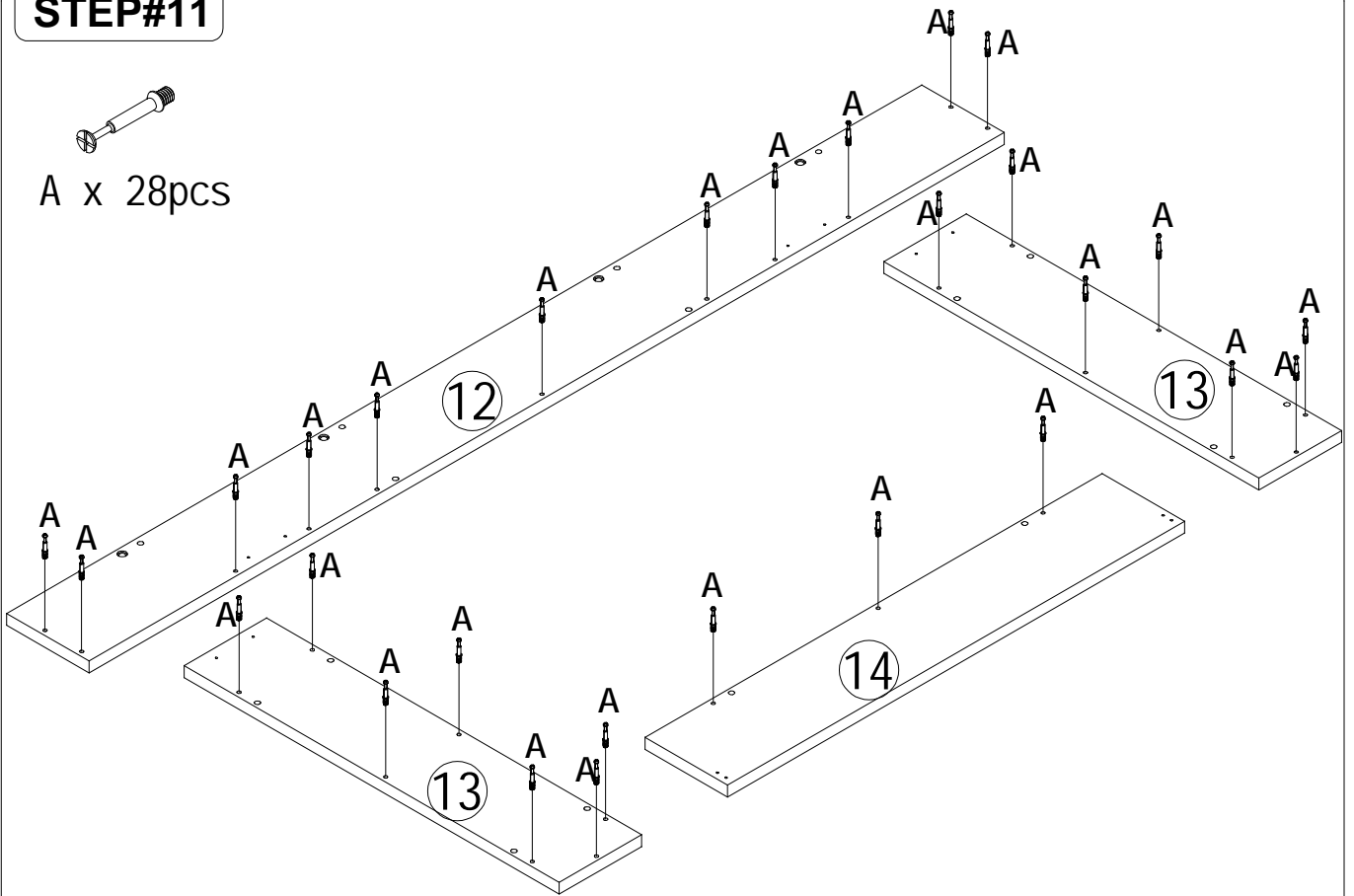
C x 4pcs



STEP#11



A x 28pcs



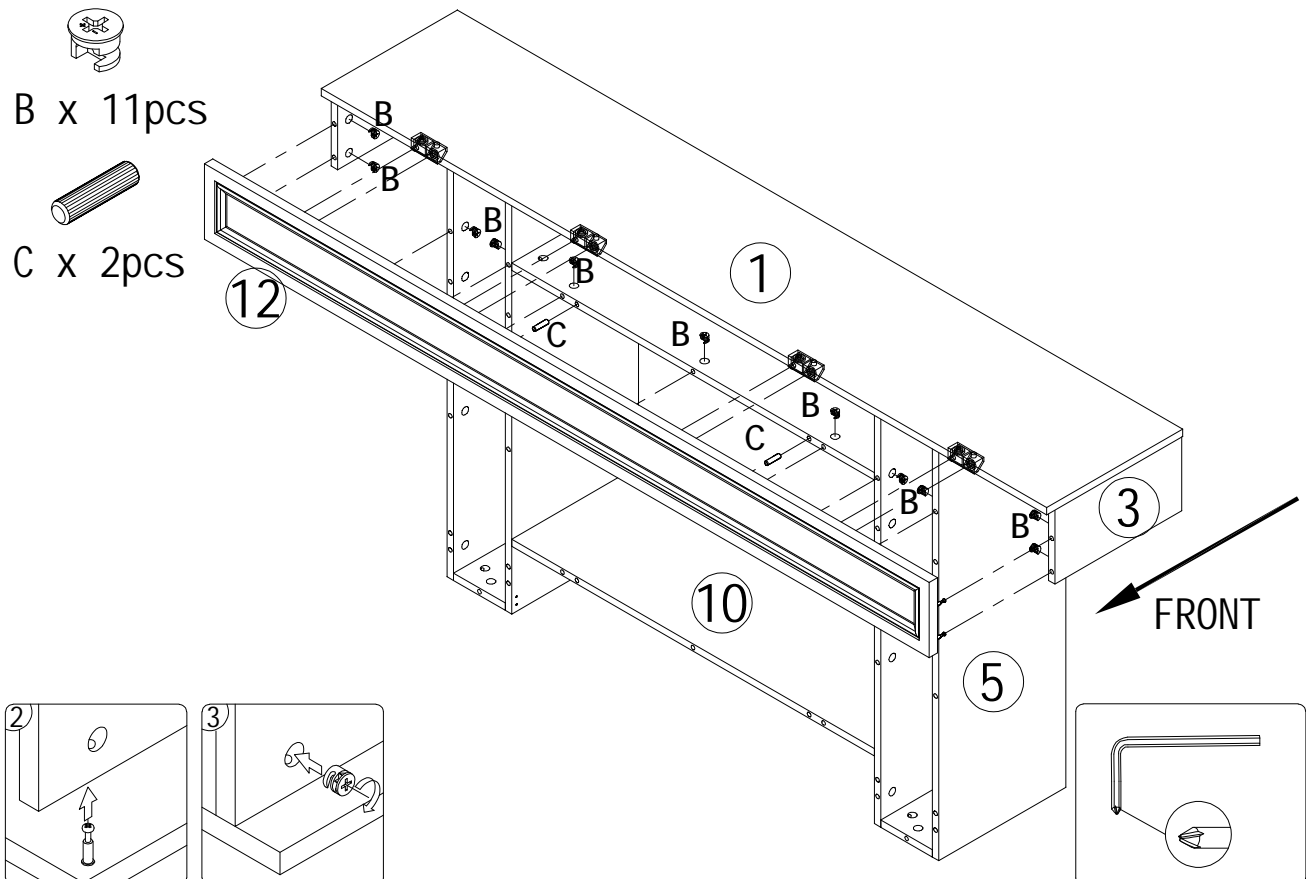
STEP#12



B x 11pcs



C x 2pcs



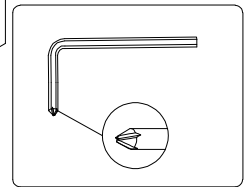
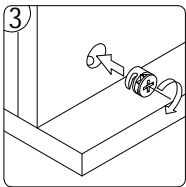
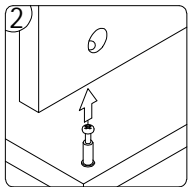
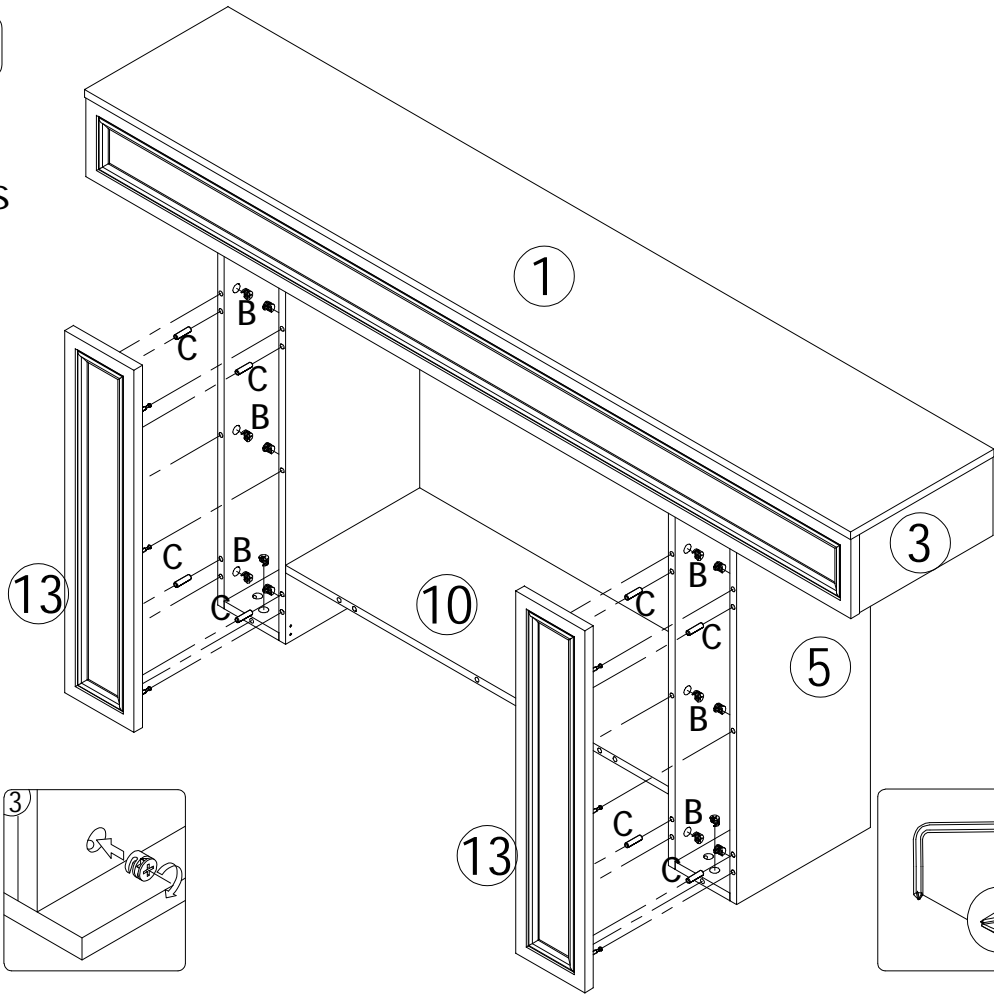
STEP#13



B x 14pcs



C x 8pcs



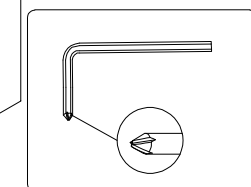
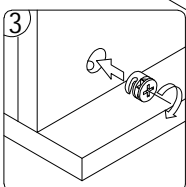
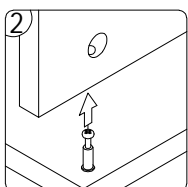
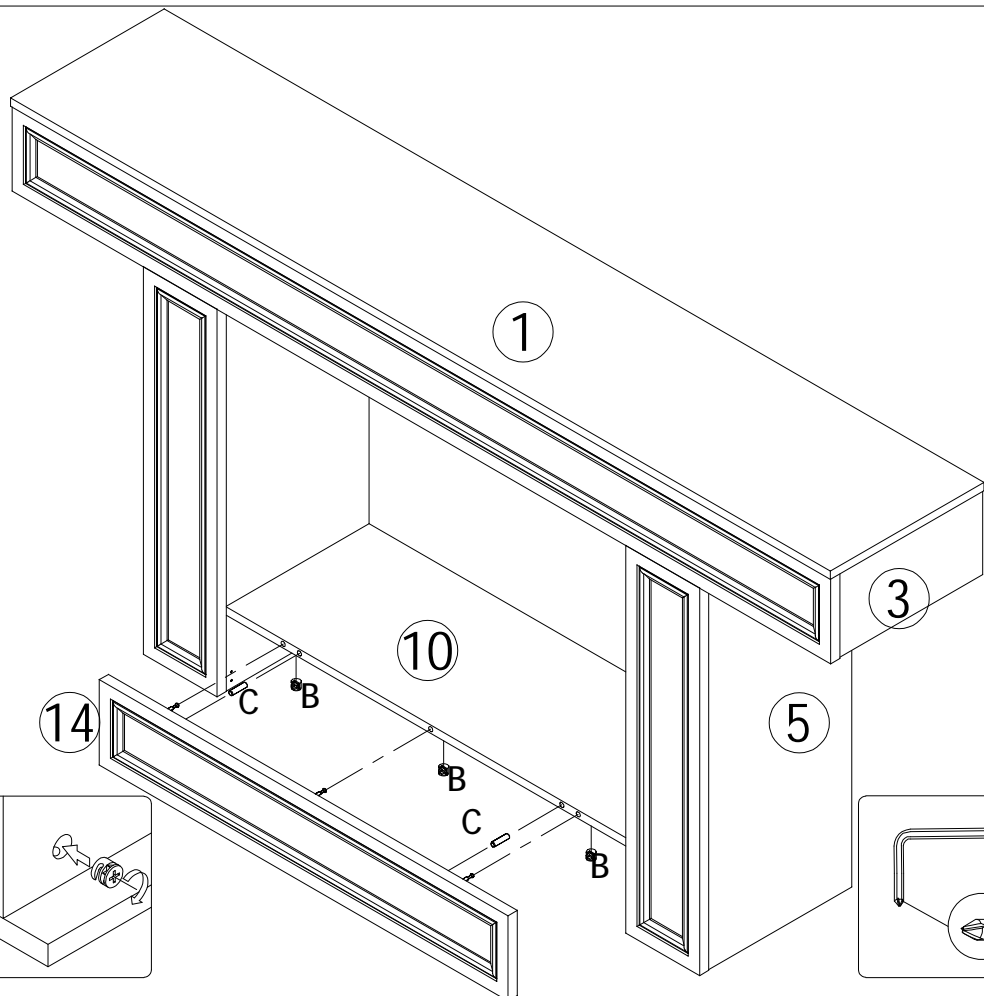
STEP#14



B x 3pcs



C x 2pcs



STEP#15



D x 2pcs



F x 4pcs



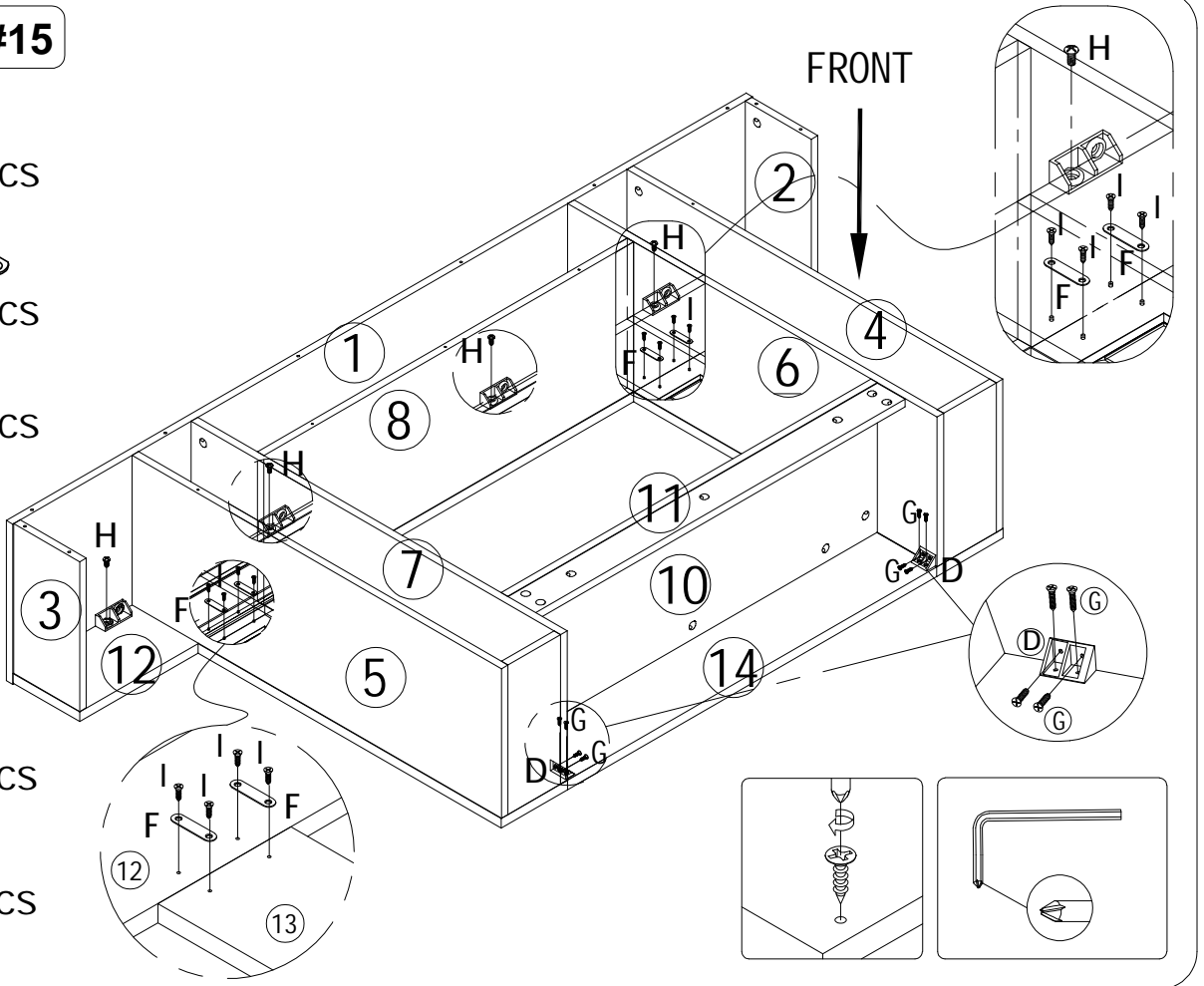
G x 8pcs



H x 4pcs



I x 8pcs



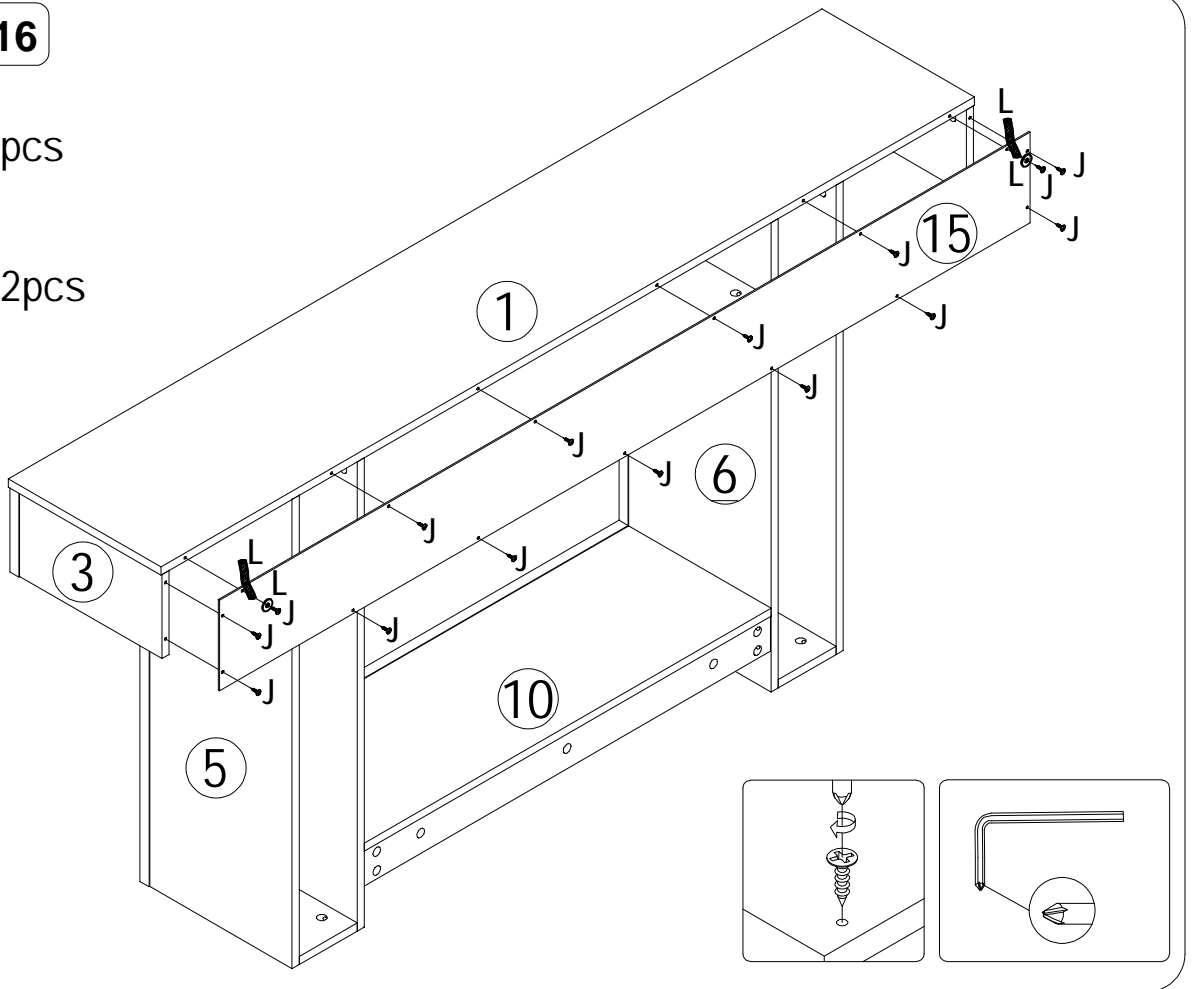
STEP#16



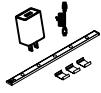
J x 15pcs



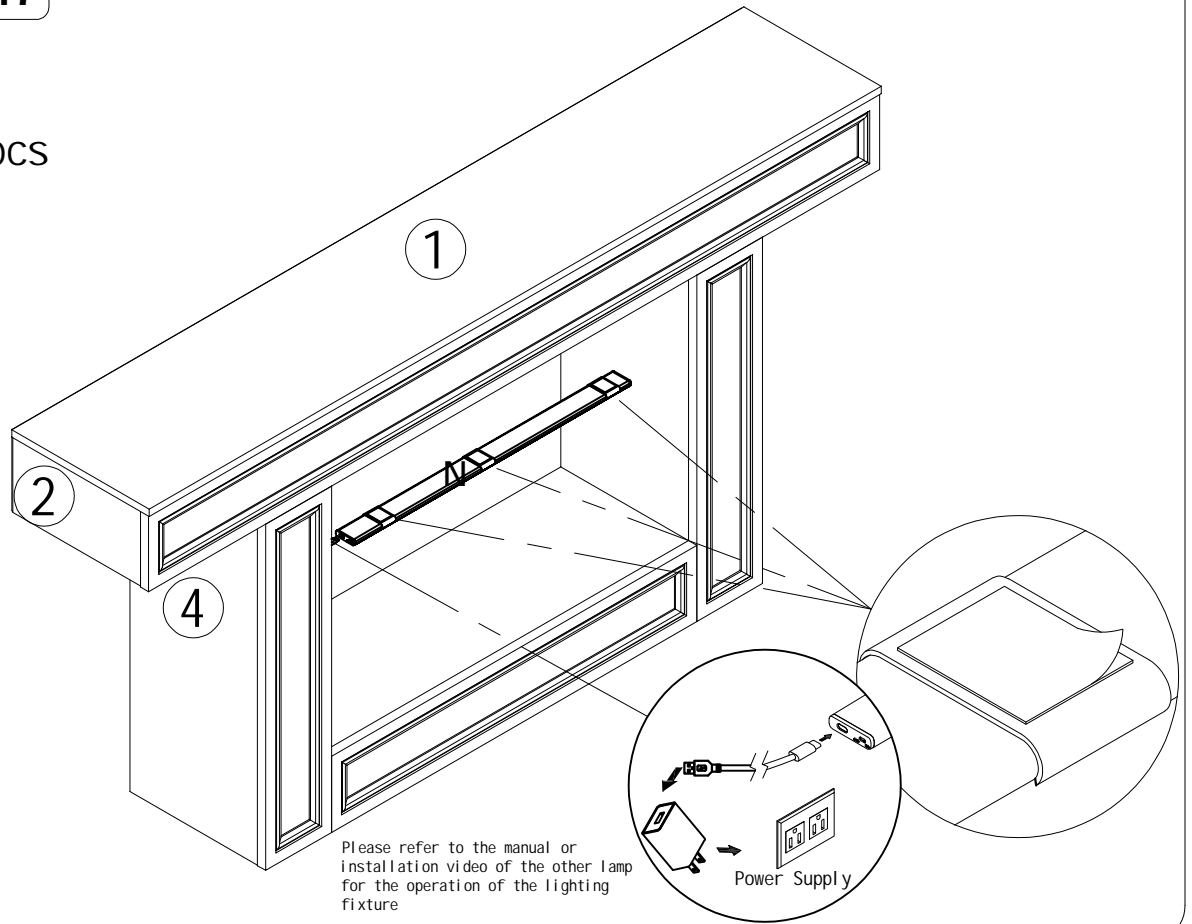
L x 2+2pcs



STEP#17



N x 1pcs



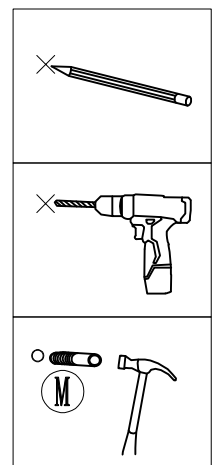
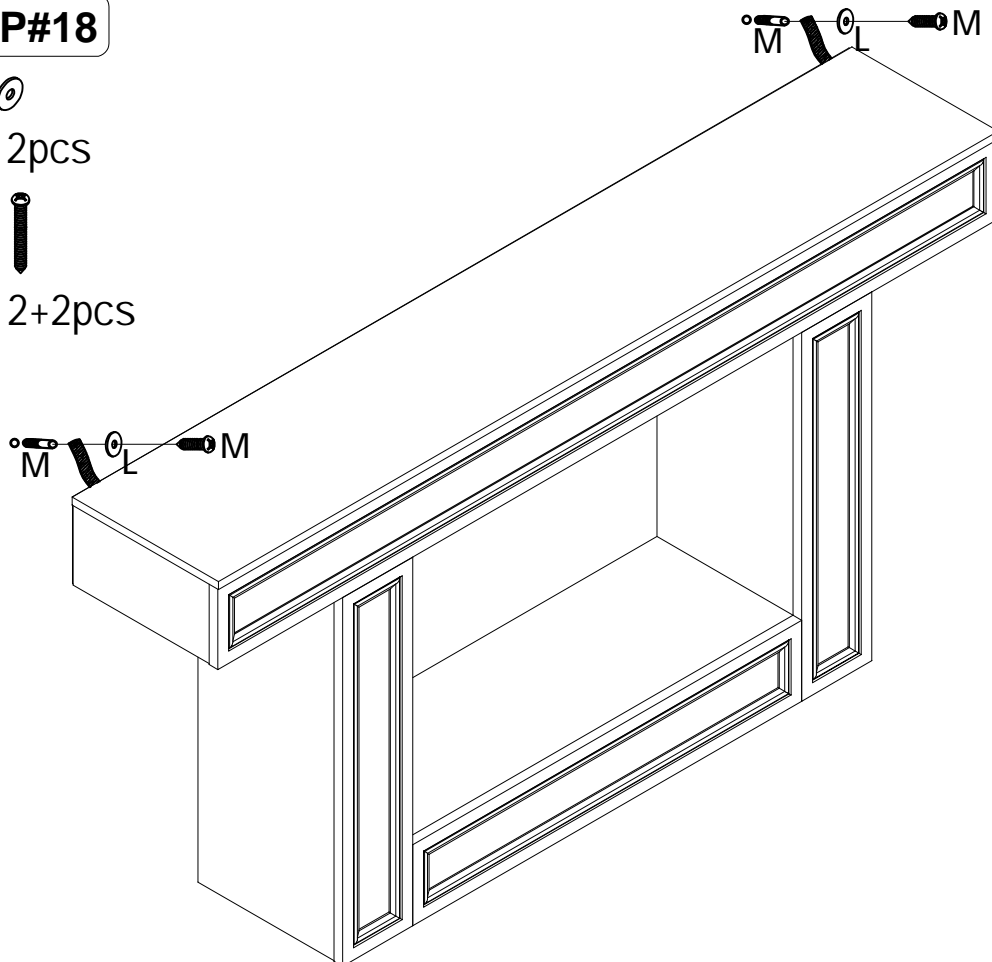
STEP#18



L x 2pcs



M x 2+2pcs



WARRANTY CARD

Your warranty includes

- **30 Days Money Back Guaranty**

Within the first 30 days of your purchase, you are allowed to return your product for a full refund.

- **30 Days to 3 Months(6 Months)**

We will replace the defective unit due to manufacturer fault with a new one. (You will receive extra 3 Months warranty if you register on our website.)

- **3 Months to 24 Months**

Within 24 Months, we will provide timely and effective online after-sales service after your purchase.

How to return your Products

- Contact us with your order number.
- We will issue you RMA # and return address for your return.
- Please fill out RMA info, tear off this page and leave it inside your return package.
- We will issue replace / return after receiving your return.

Return product details

To get your returns processed as quickly as possible, please fill this form and include it in your return package.

Purchase Name	
Order Number	
Date of Purchase	
Your Email Address	
Where did you buy it	

MADE IN VIETNAM

