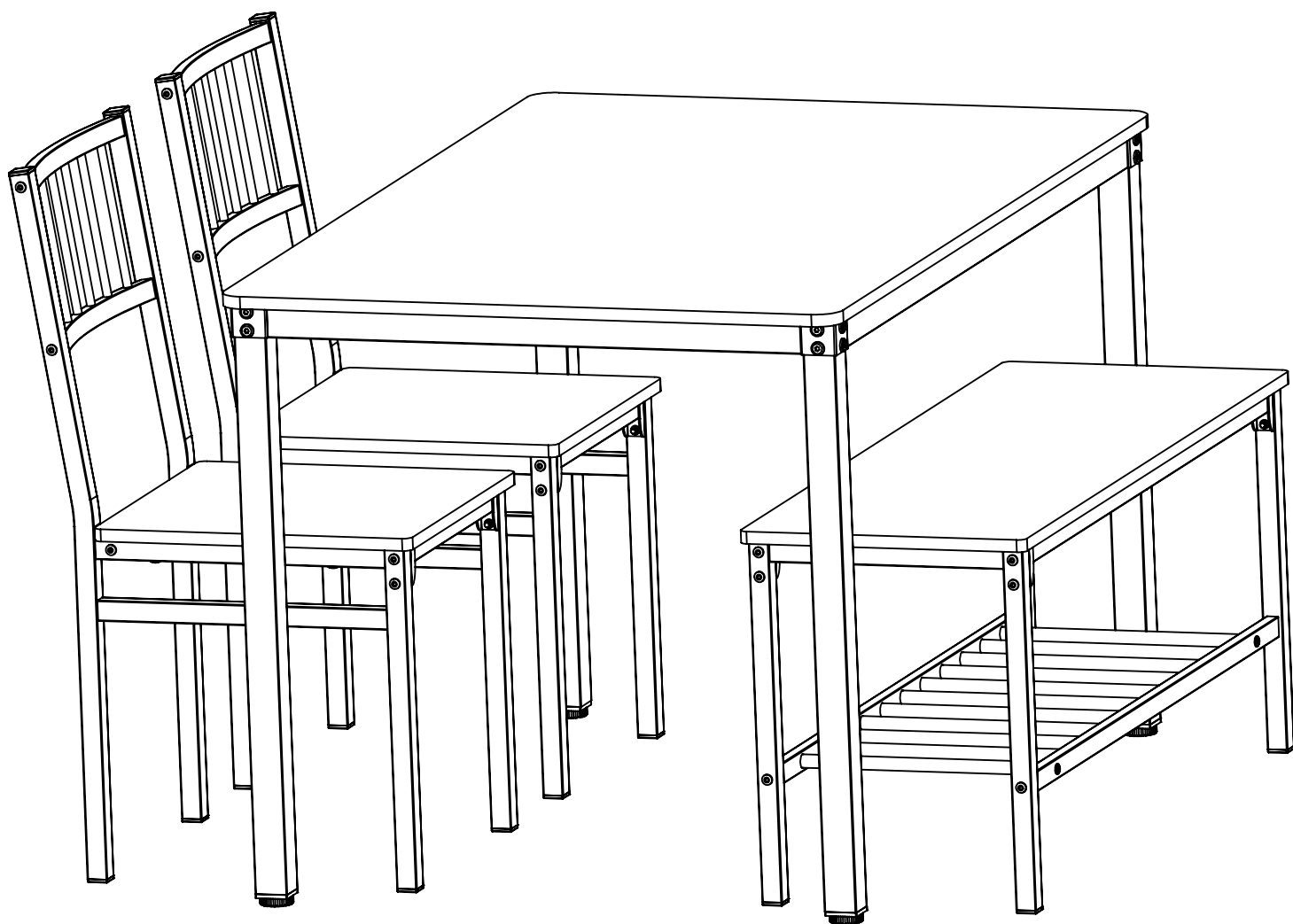
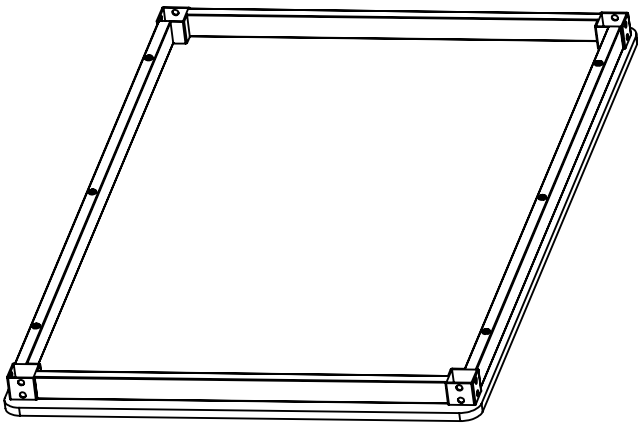


# Dining Table and Chairs Set

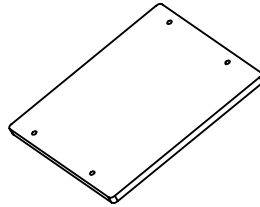


Small Size

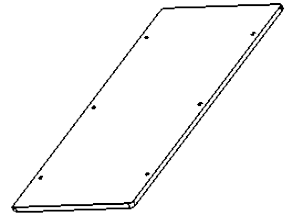
① X1



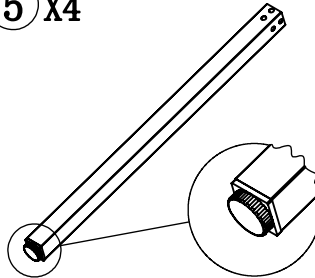
② X2



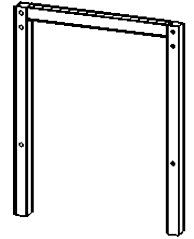
③ X1



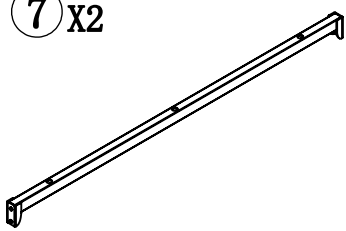
⑤ X4



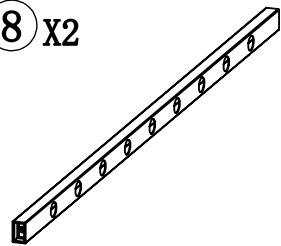
⑥ X2



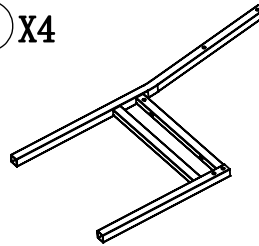
⑦ X2



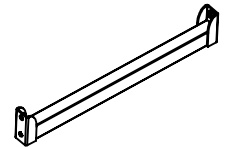
⑧ X2



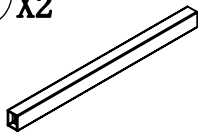
⑨ X4



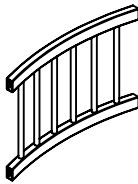
⑩ X2



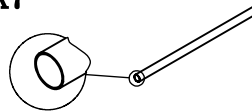
⑪ X2



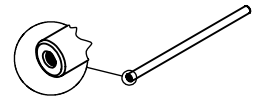
⑫ X2



⑬ X7



⑭ X2



A X8



M6X50

B X8



M6X45

C X30



M6X35

D X4



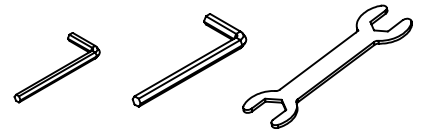
M6X25

E X16

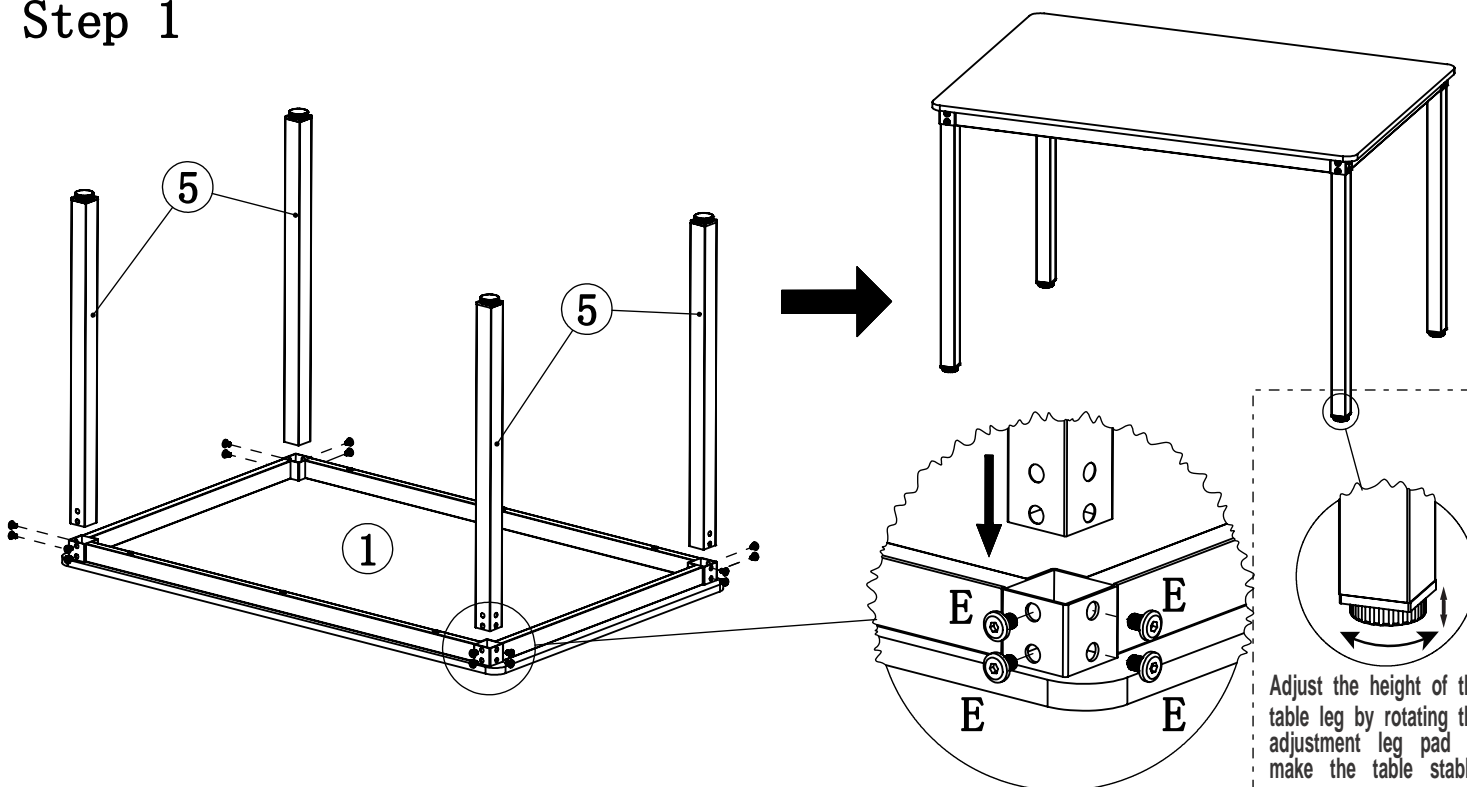


M8X12

installation tools



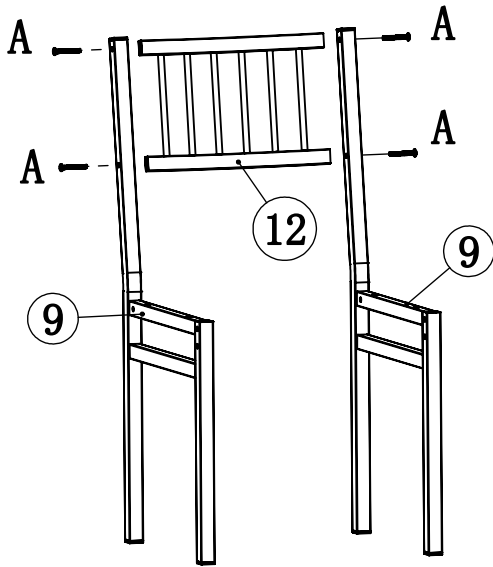
## Step 1



Adjust the height of the table leg by rotating the adjustment leg pad to make the table stable.

## Step 2

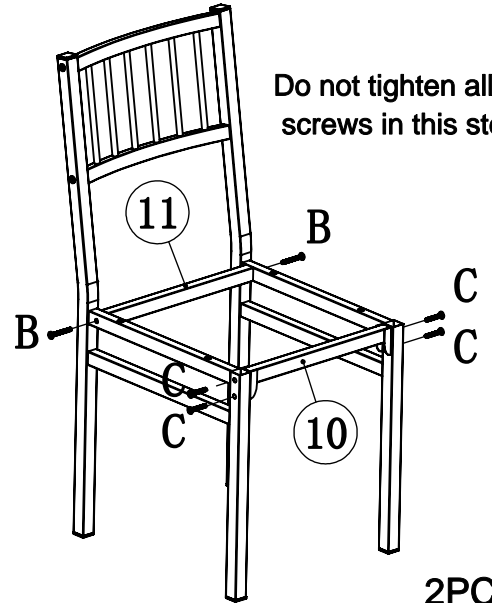
Do not tighten all screws in this step



2PCS

## Step 3

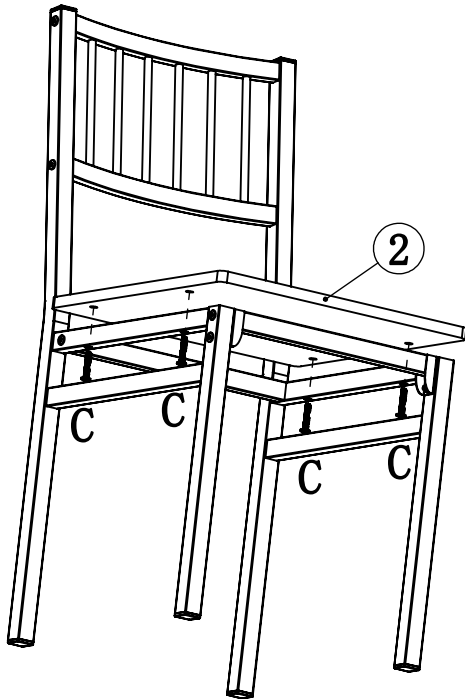
Do not tighten all screws in this step



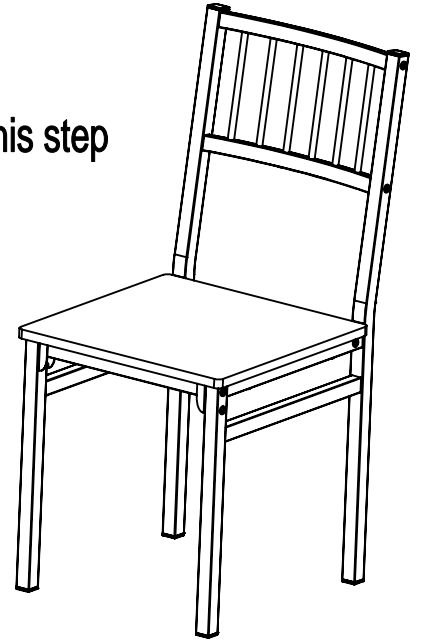
2PCS

## Step 4

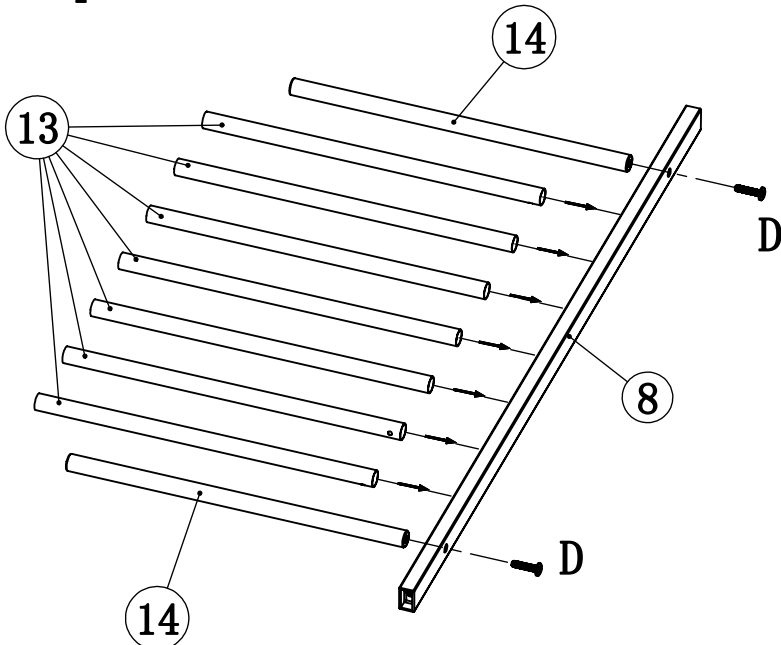
Tighten all screws in this step



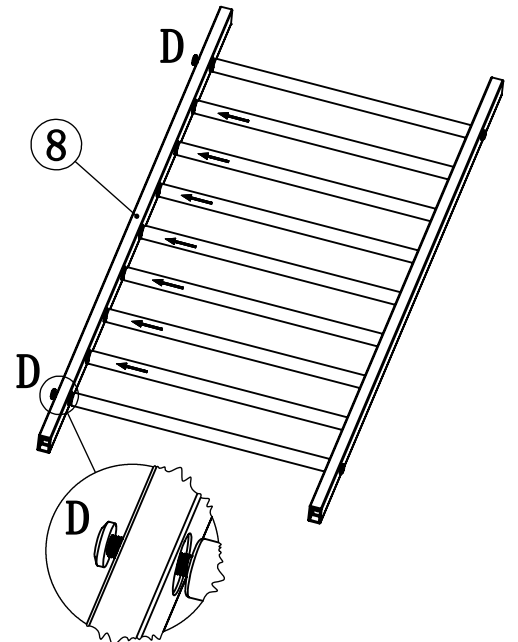
2PCS



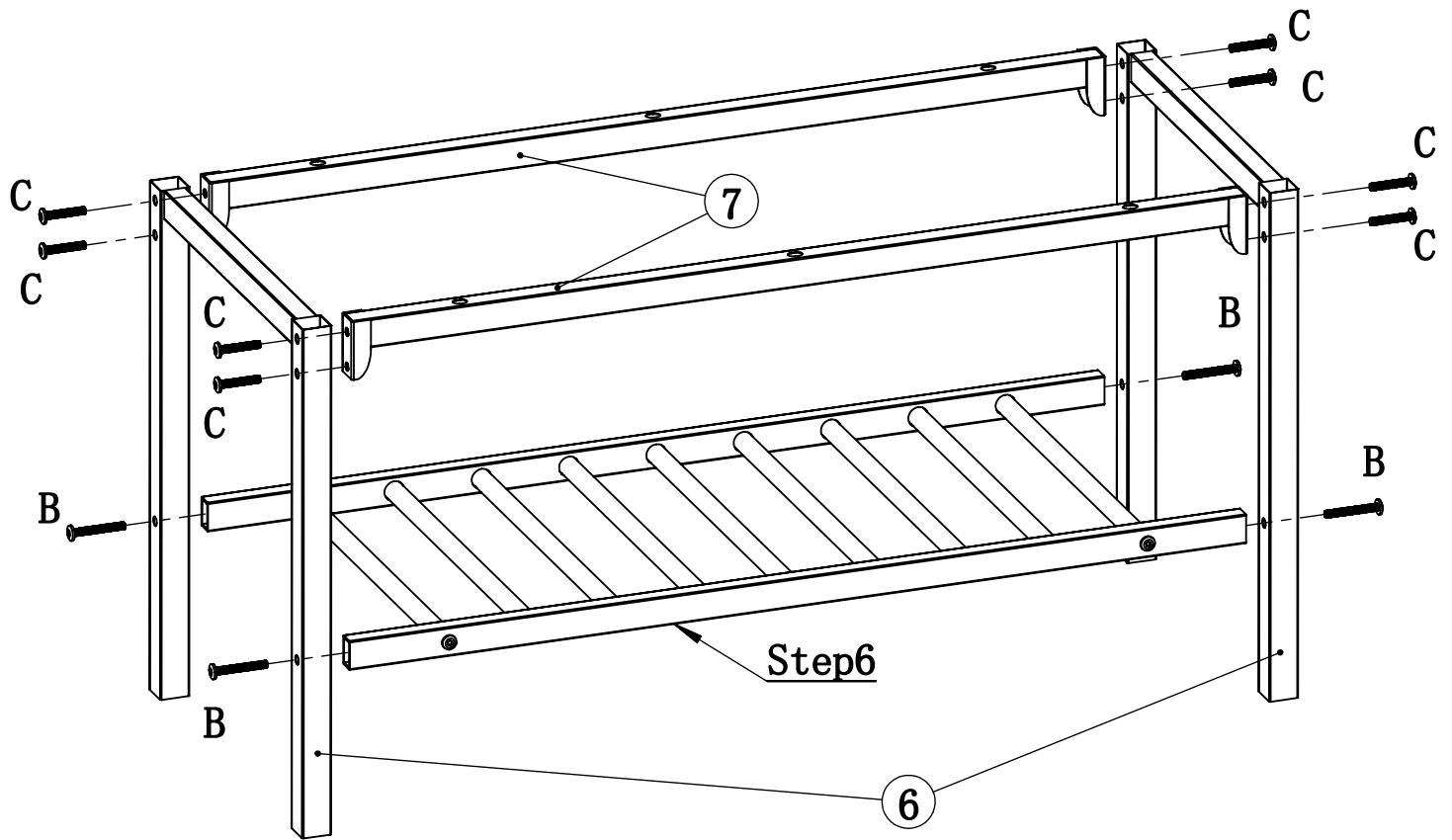
## Step 5



## Step 6



# Step 7



# Step 8

