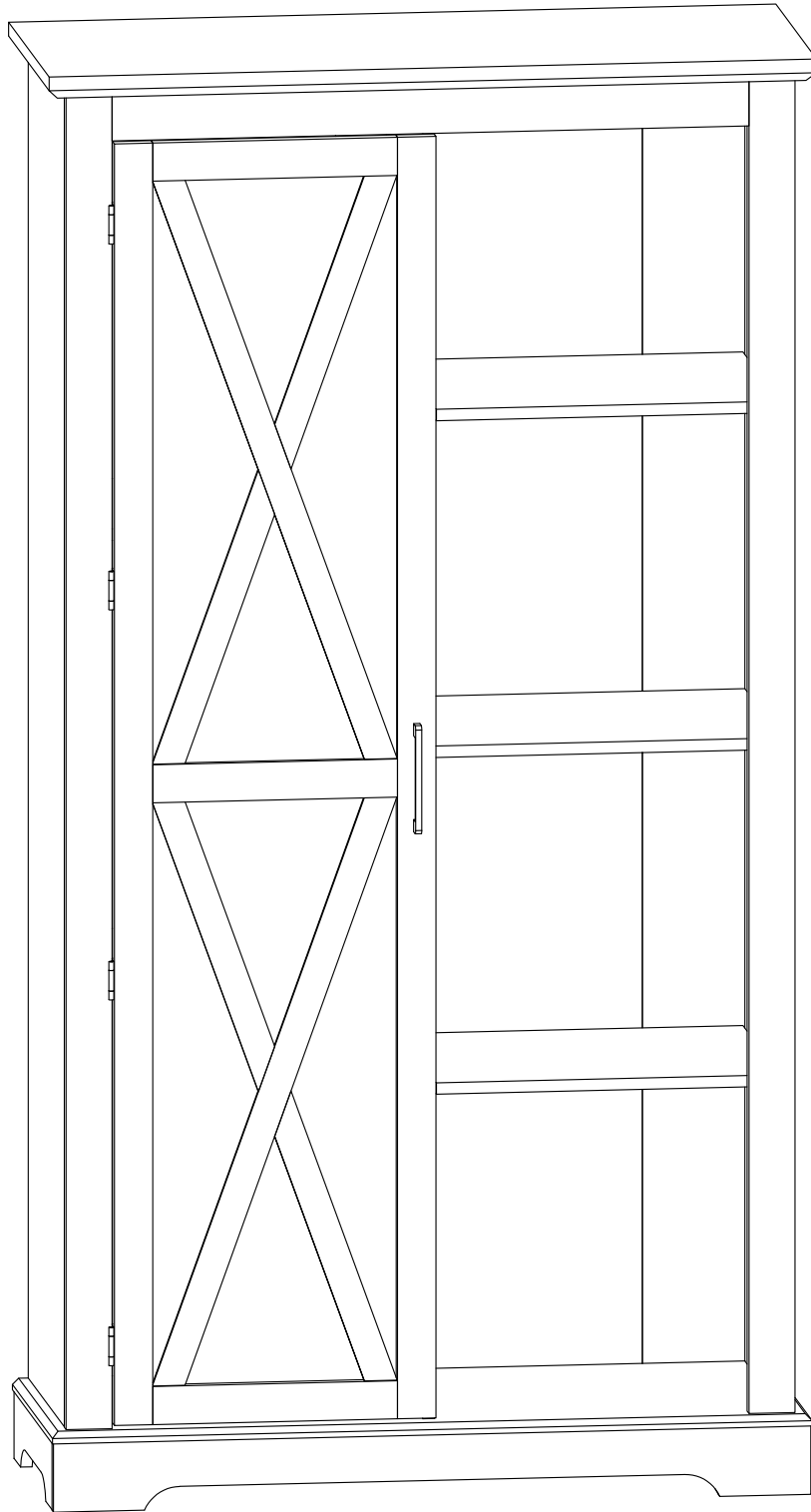


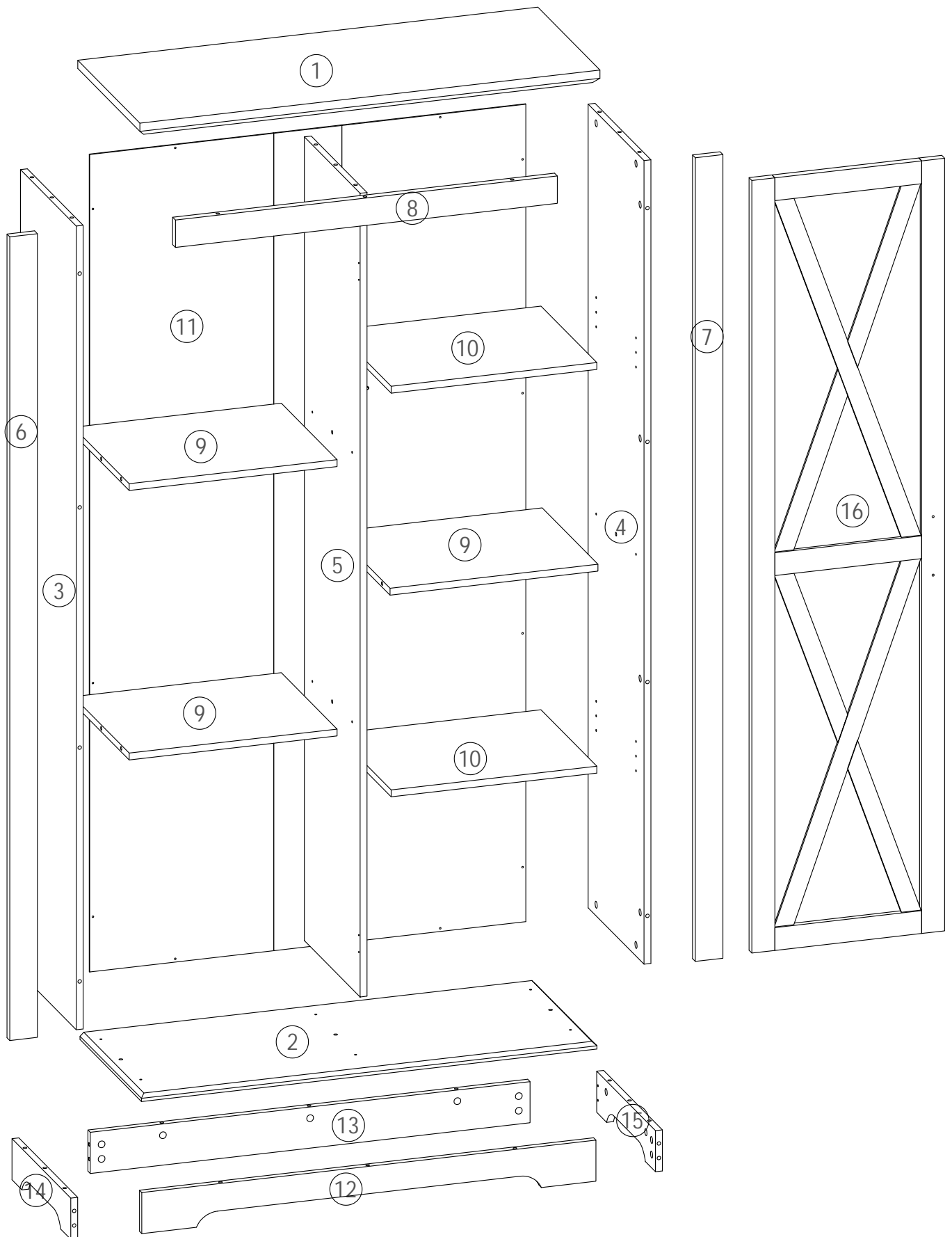
Barn Door Tall Cabinet

# Assembly Instructions

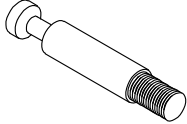
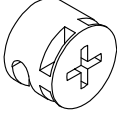
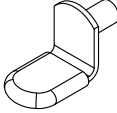
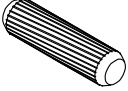
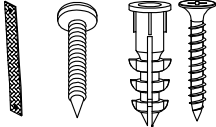

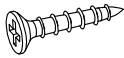
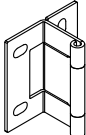
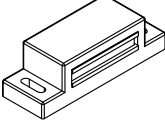

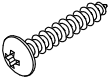
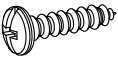



**NOTE:** This instruction manual contains **IMPORTANT** safety information.  
Please read carefully before assembling the product

# List of Parts

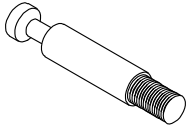


## List of Hareware

No.	Hare ware	Quanti ty
A		53
B		53
C		8
D		15
E		2
F		4
G		24+1
H		4
I		2
J		2
K		16
L		4
M		1

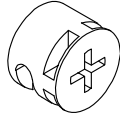
# STEP1

A

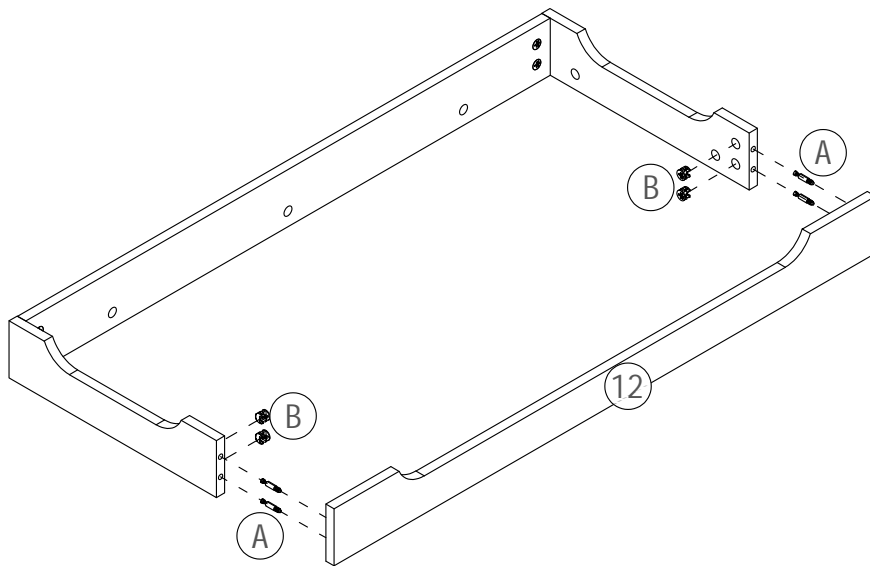
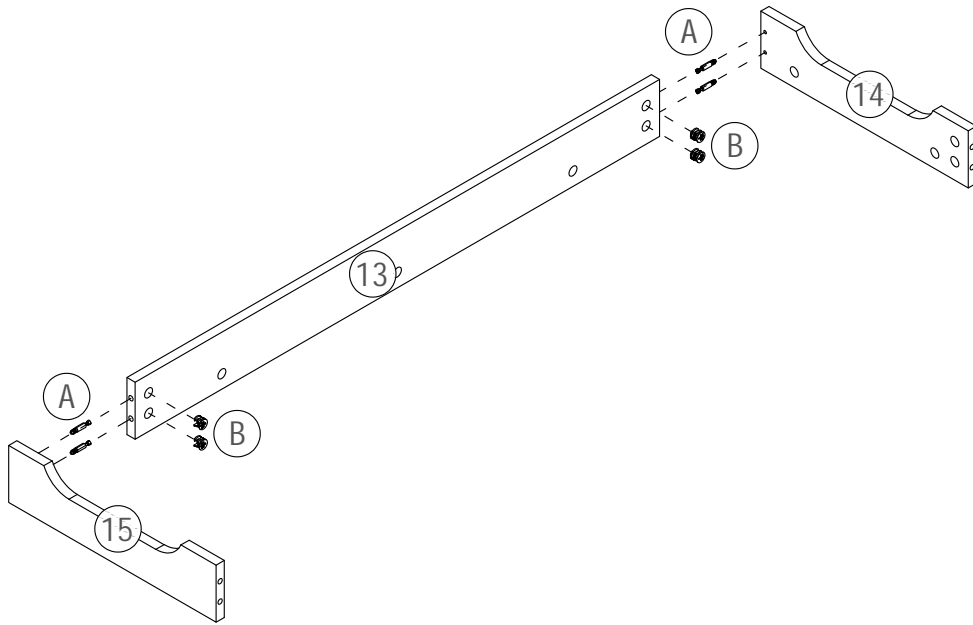


8 PCS

B

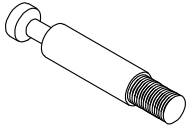


8 PCS



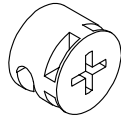
# STEP2

A



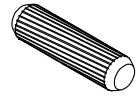
10 PCS

B

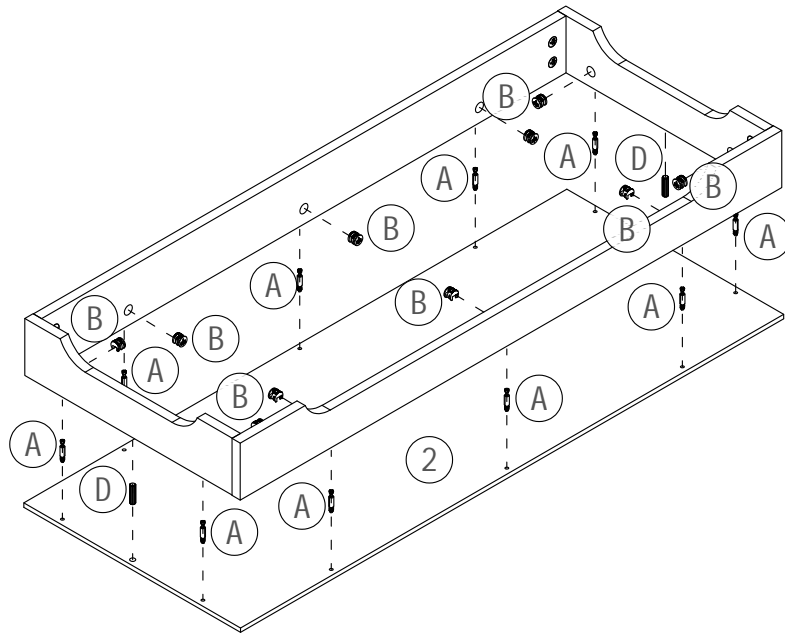


10 PCS

D

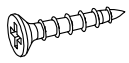


2 PCS



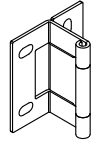
# STEP3

G



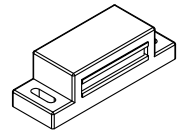
8 PCS

H



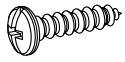
4 PCS

I

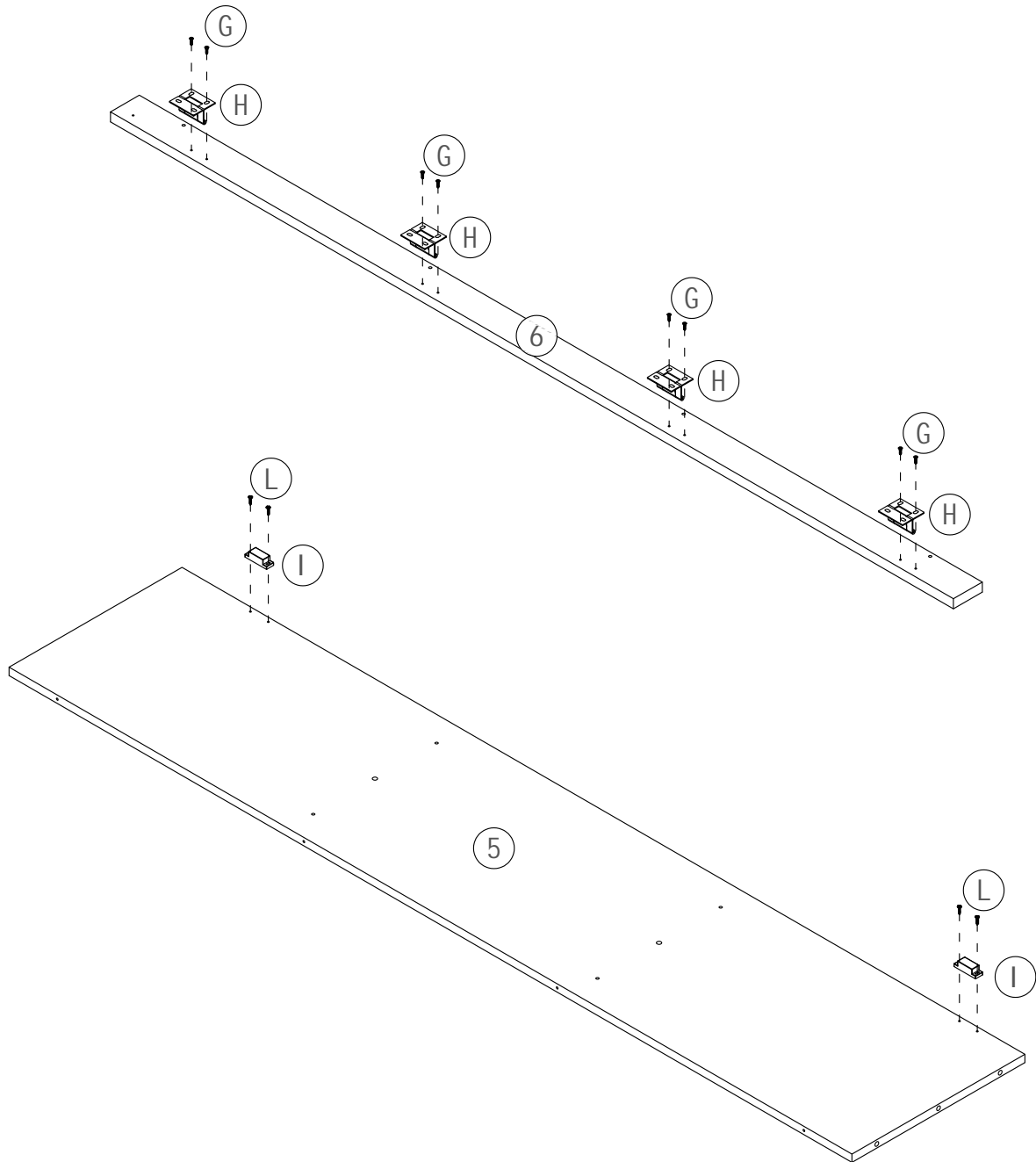


2 PCS

L

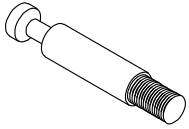


4 PCS



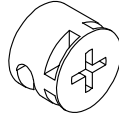
# STEP4

A

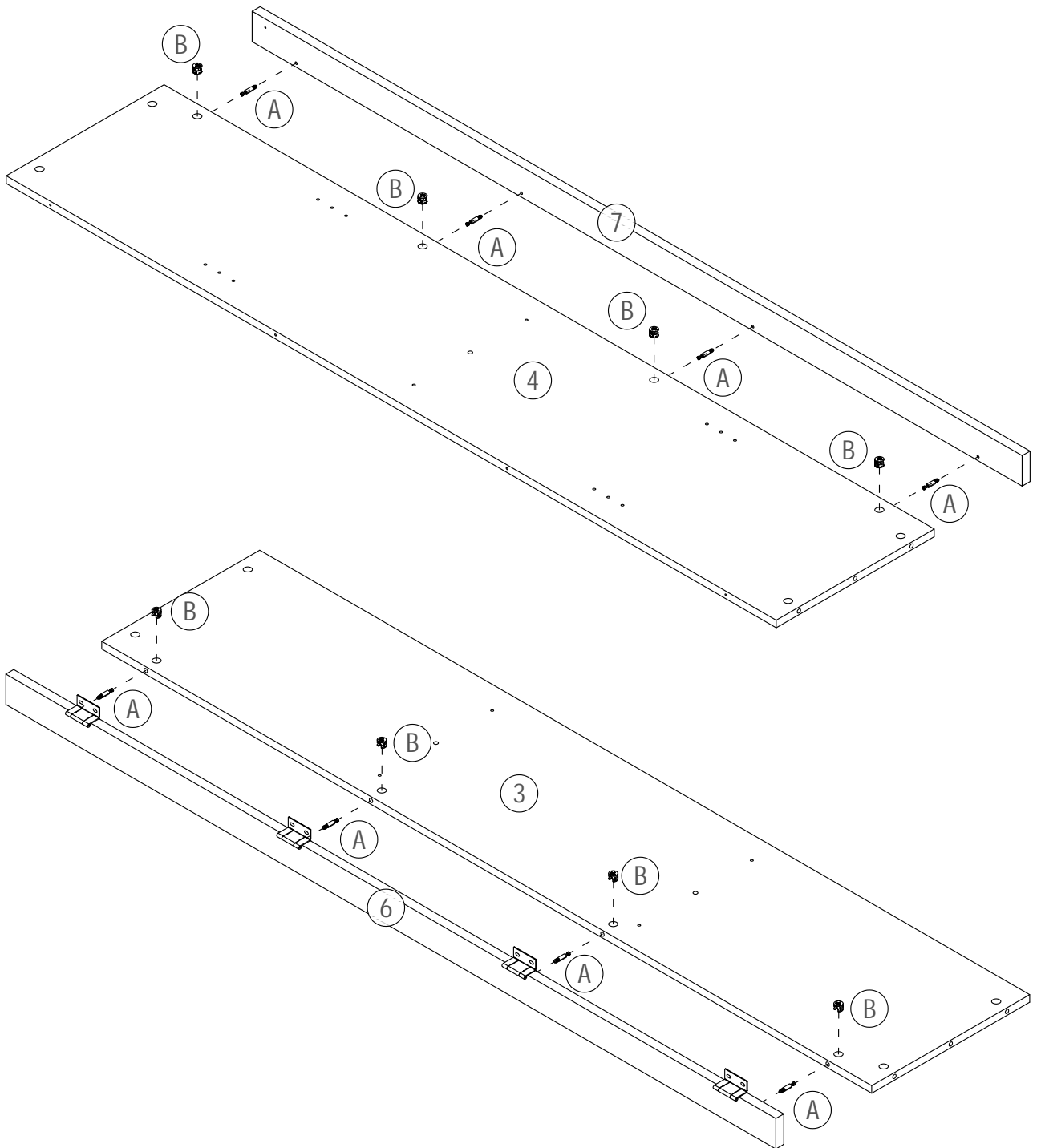


8 PCS

B

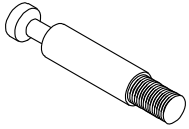


8 PCS



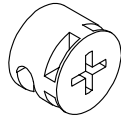
# STEP5

A



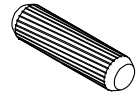
12 PCS

B

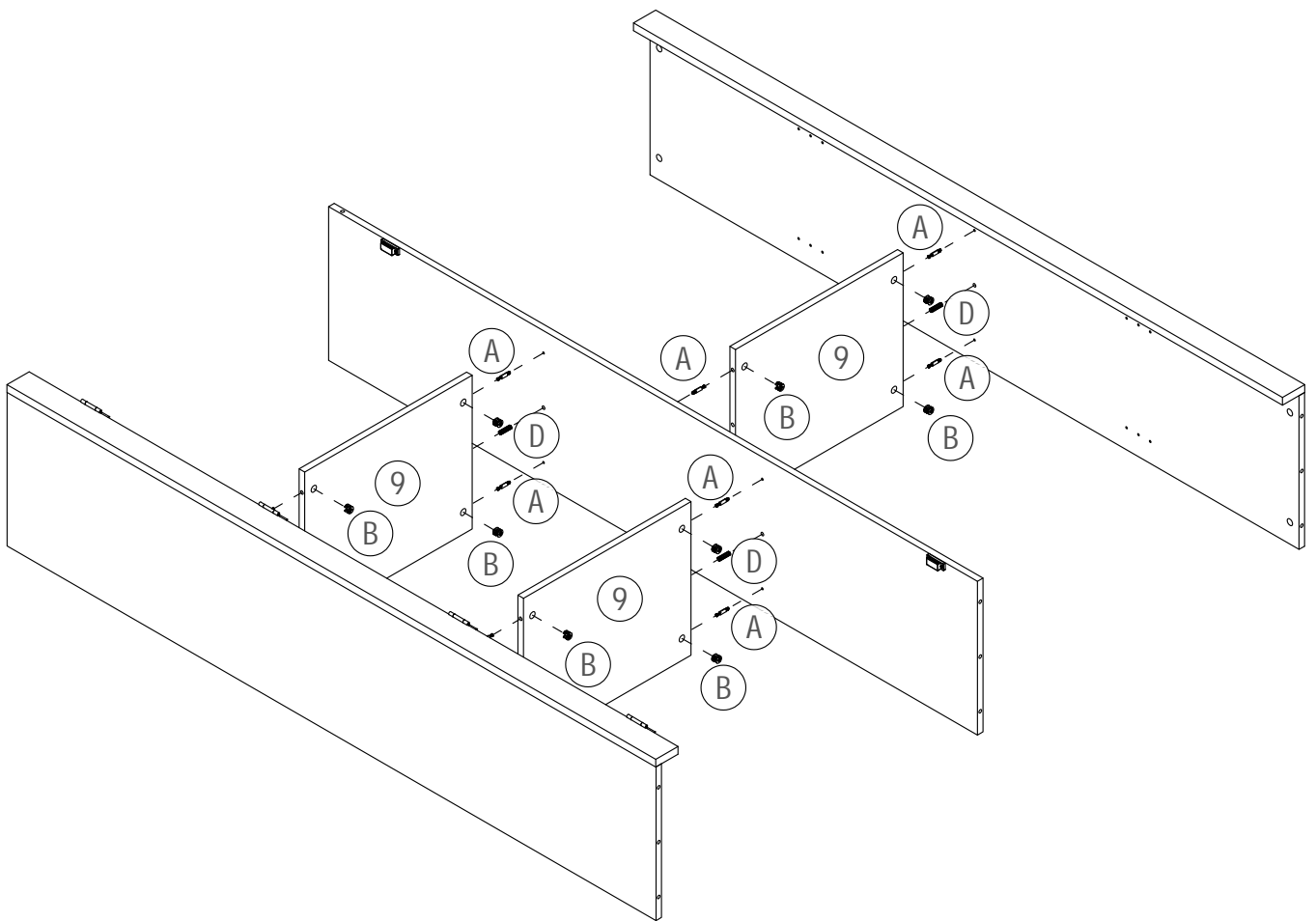


12 PCS

D

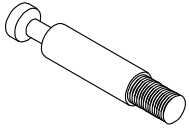


6 PCS



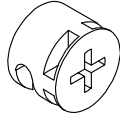
# STEP6

A



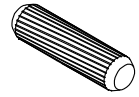
6 PCS

B

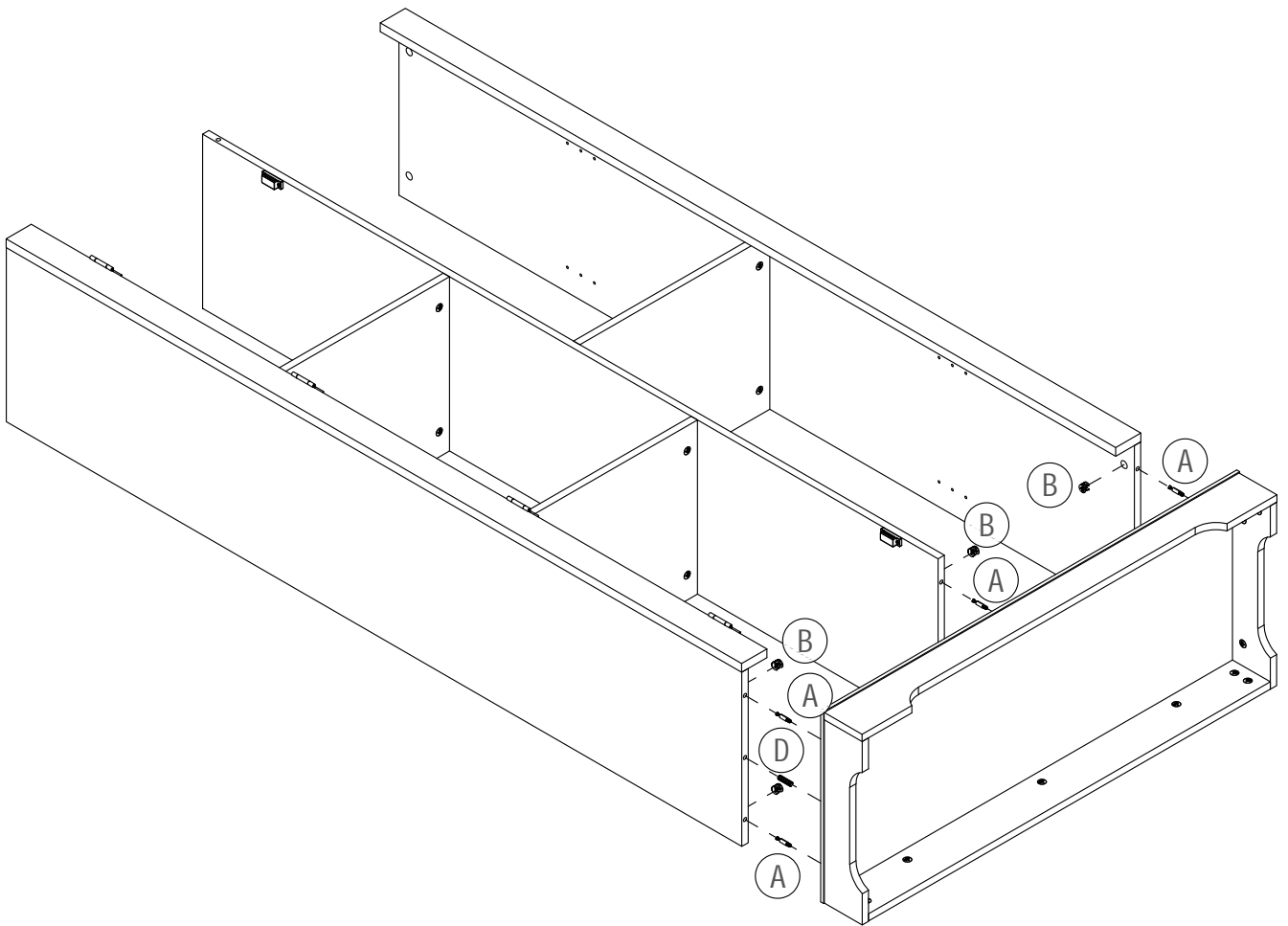


6 PCS

D

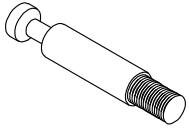


3 PCS



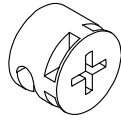
# STEP 7

A



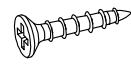
1 PCS

B



1 PCS

G

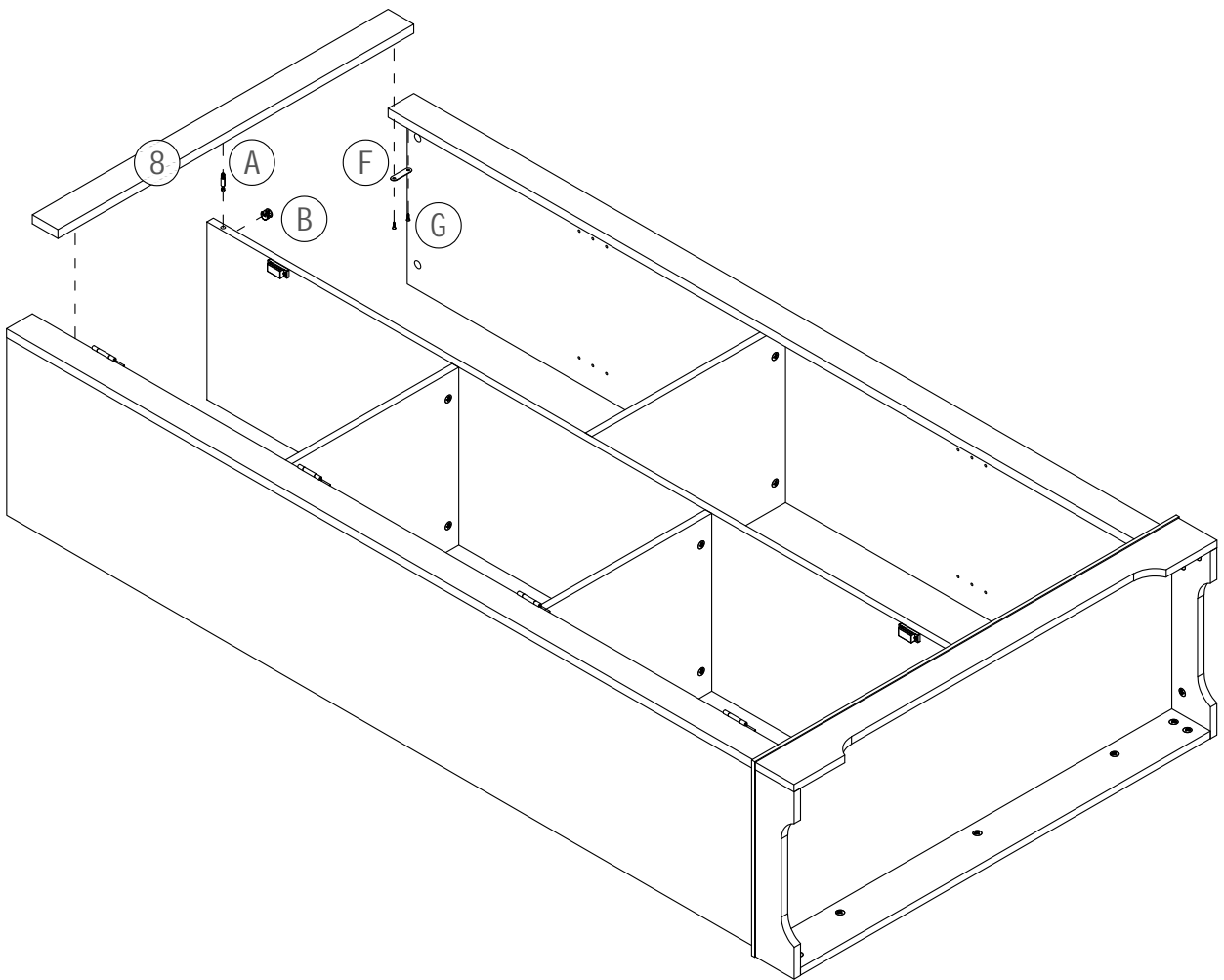


4 PCS

F

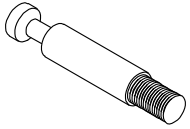


2 PCS



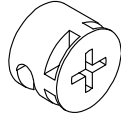
# STEP 8

A



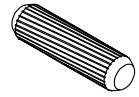
8 PCS

B

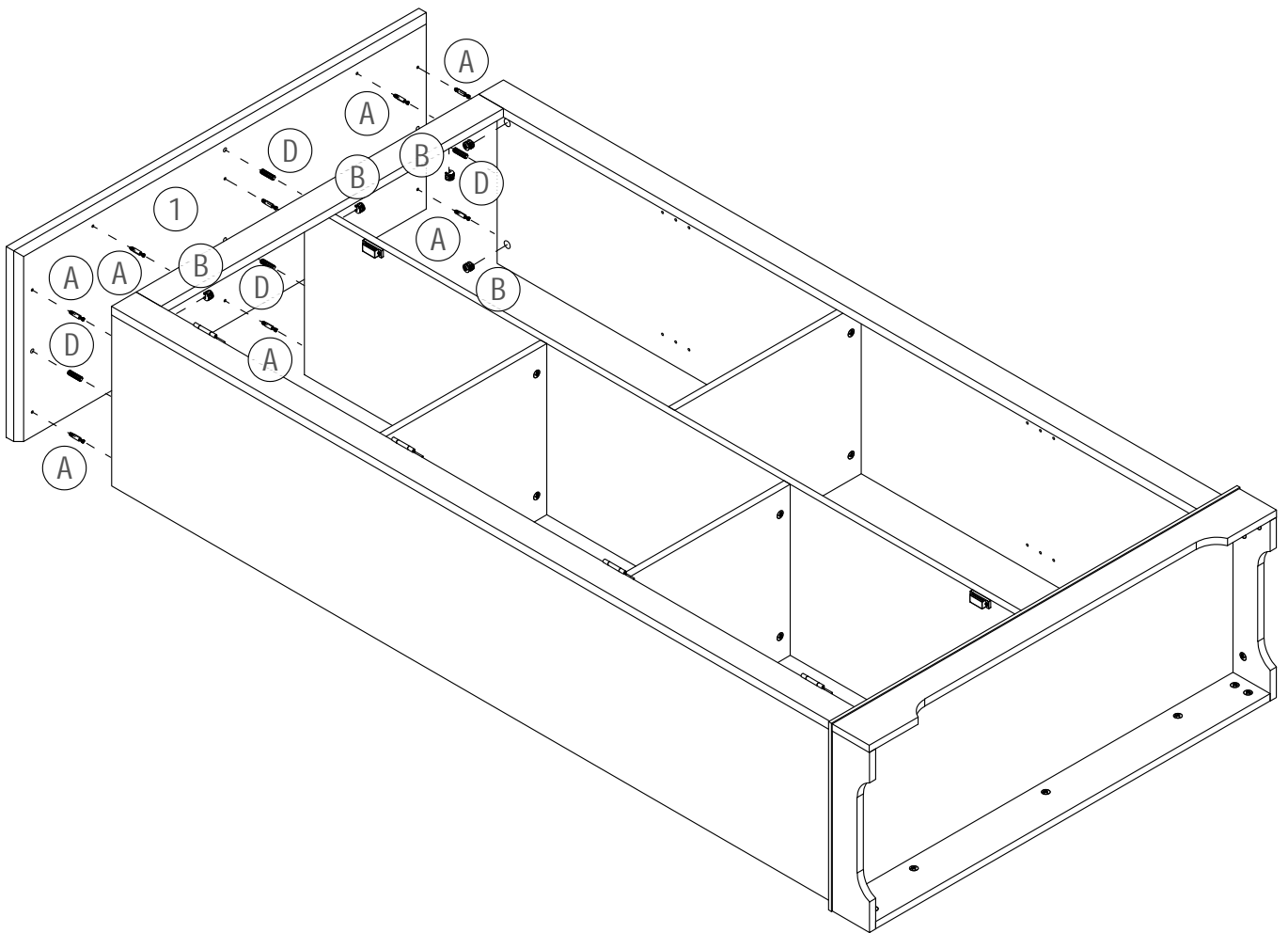


8 PCS

D

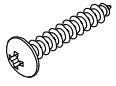


4 PCS

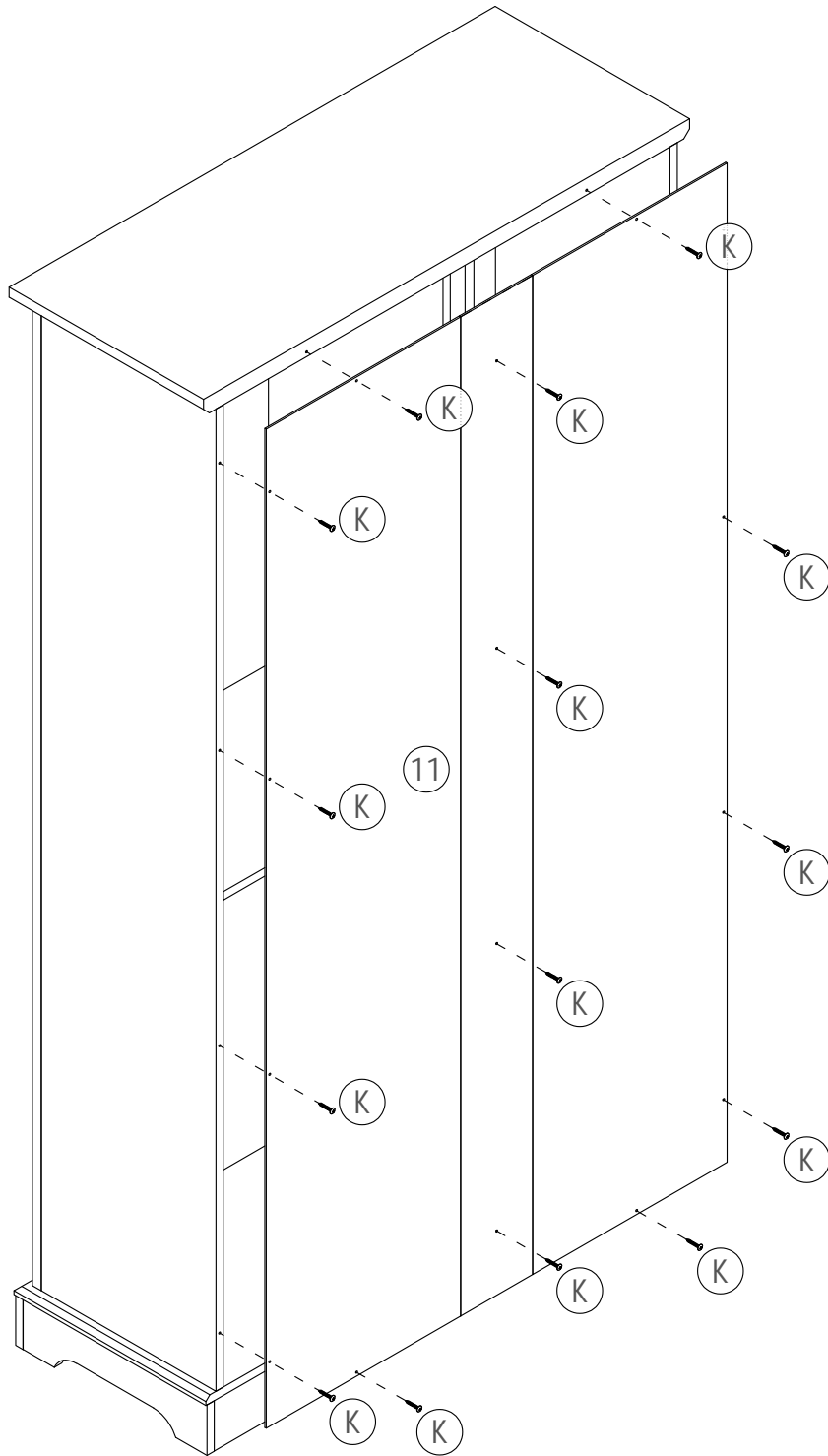


# STEP9

K

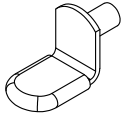


16 PCS

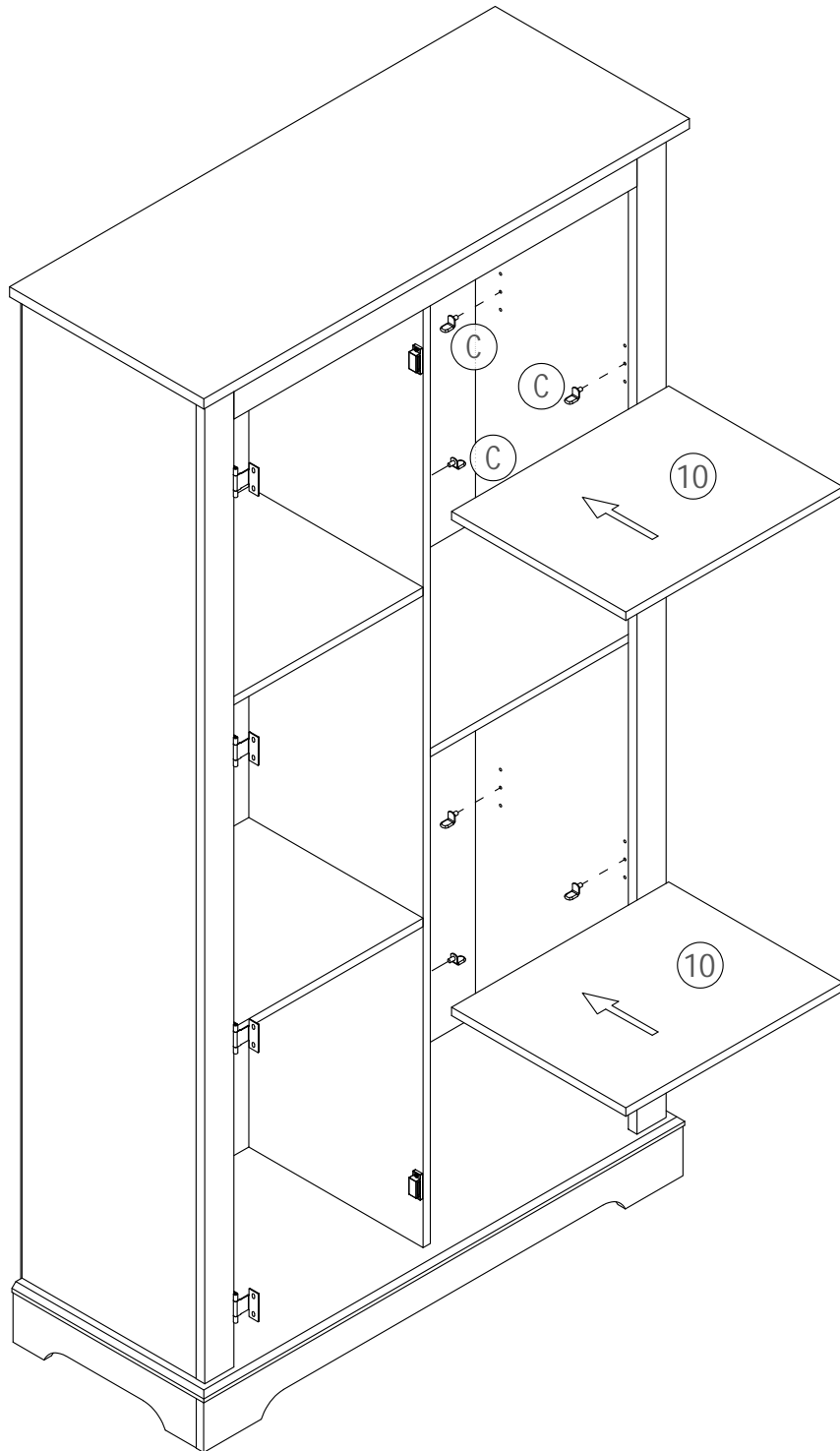


# STEP10

C

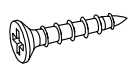


8 PCS



# STEP11

G



4 PCS

F



2 PCS

J

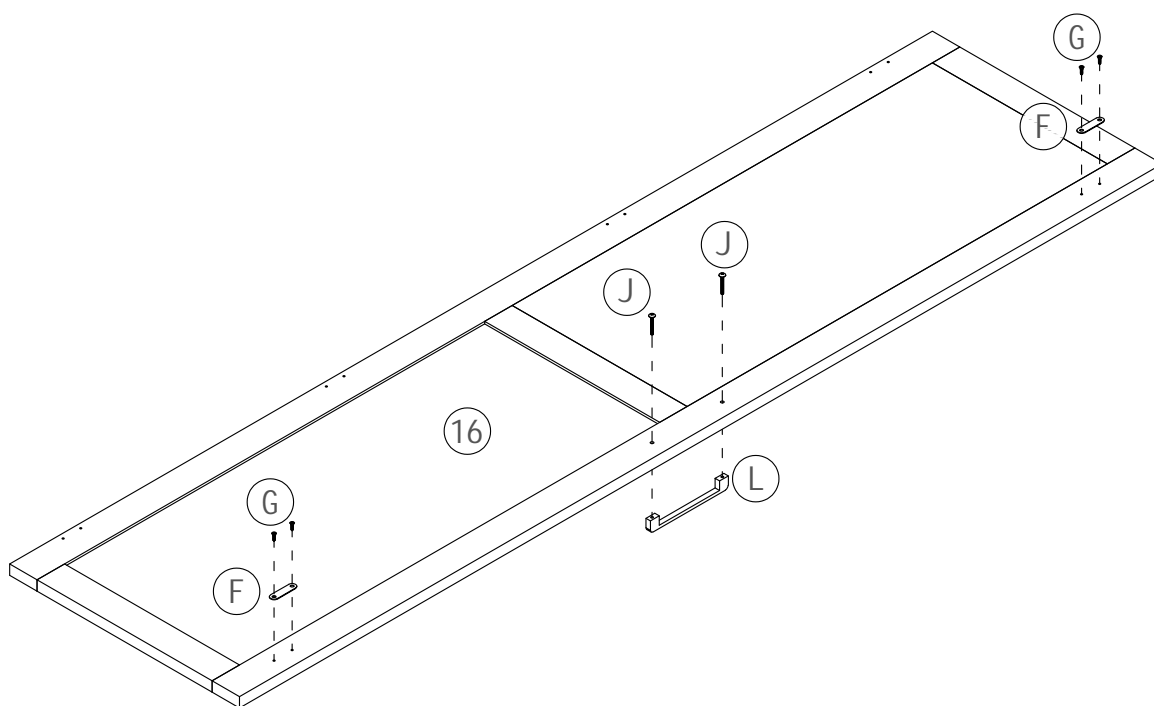


2 PCS

M

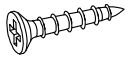


1 PCS

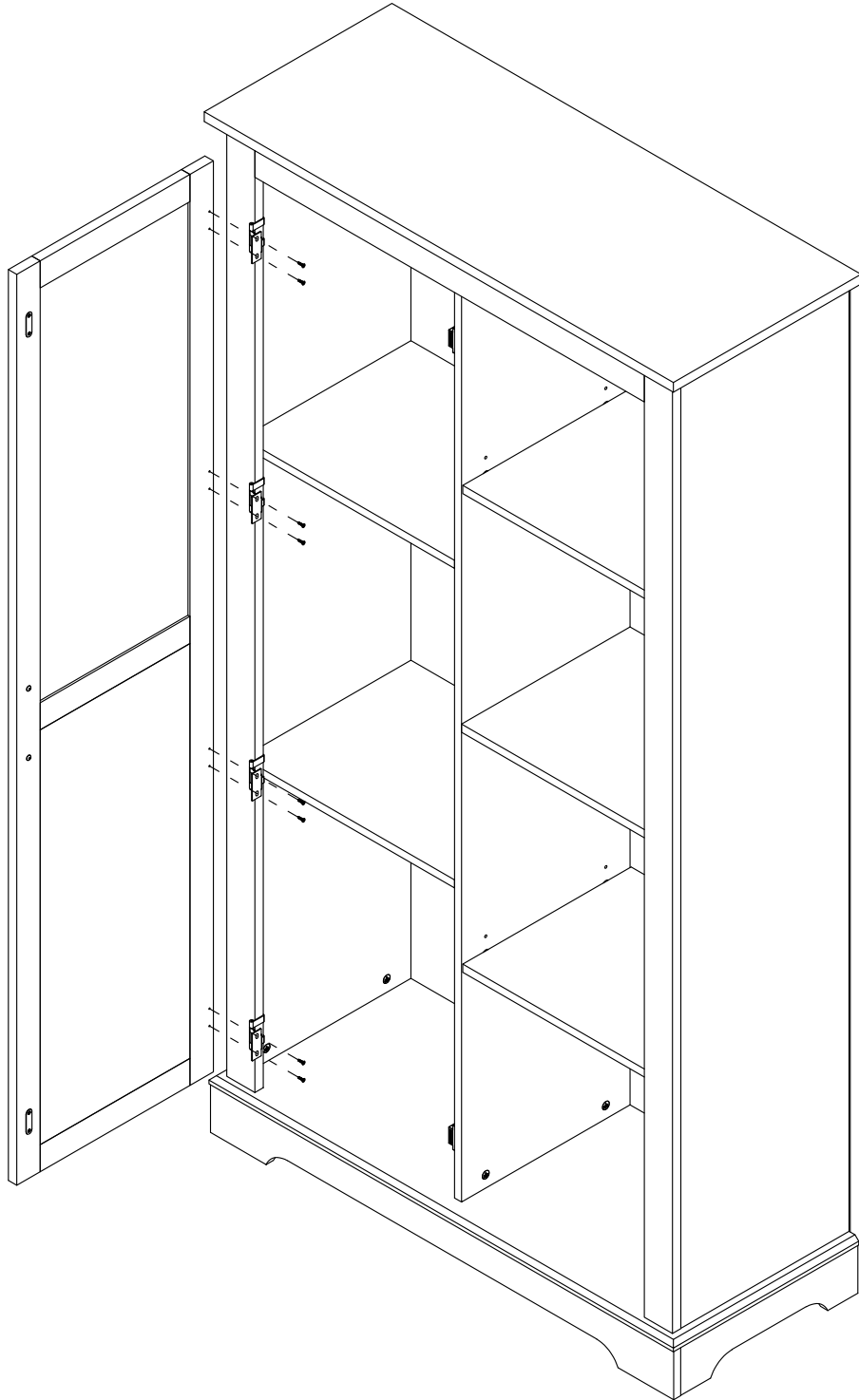


# STEP12

G

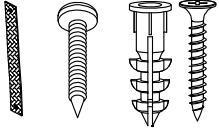


8 PCS

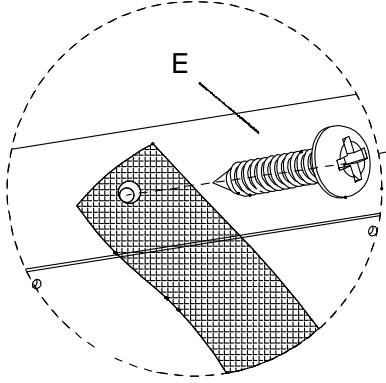


# STEP13

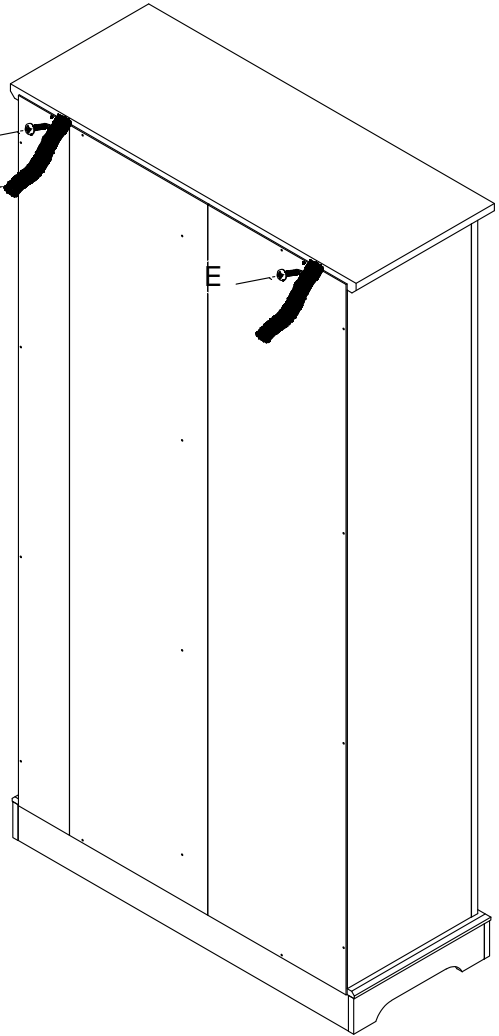
E



2 PCS

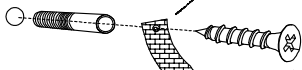


E

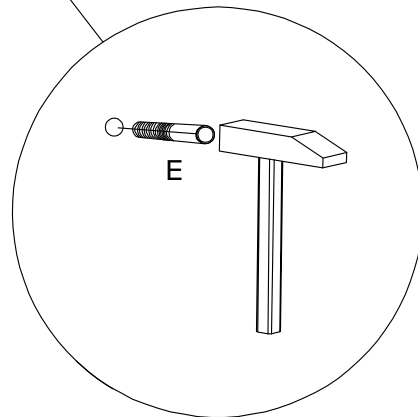
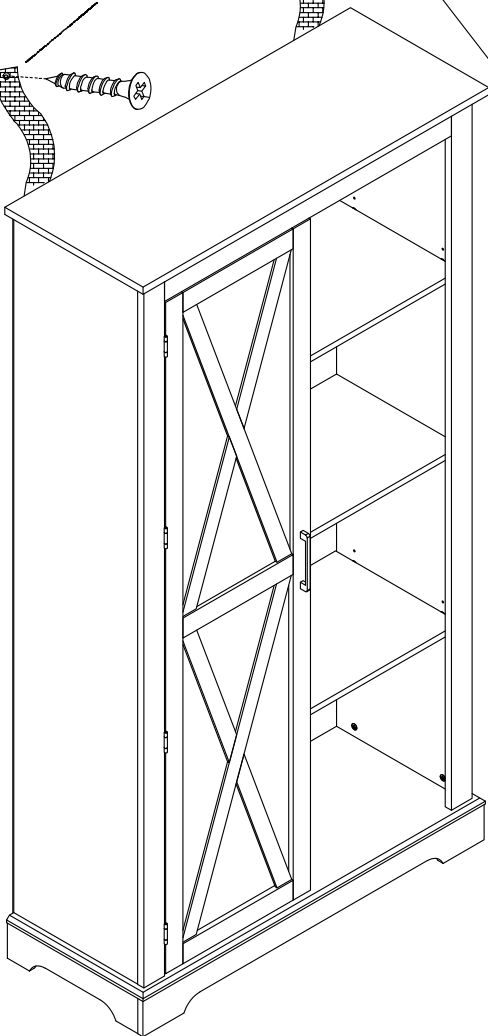
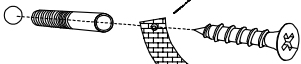


E

E



E



E