

## WOOD DESIGNS COT ASSEMBLY IN FIVE EASY STEPS

Each cot set includes:

- 4- High-impact plastic legs



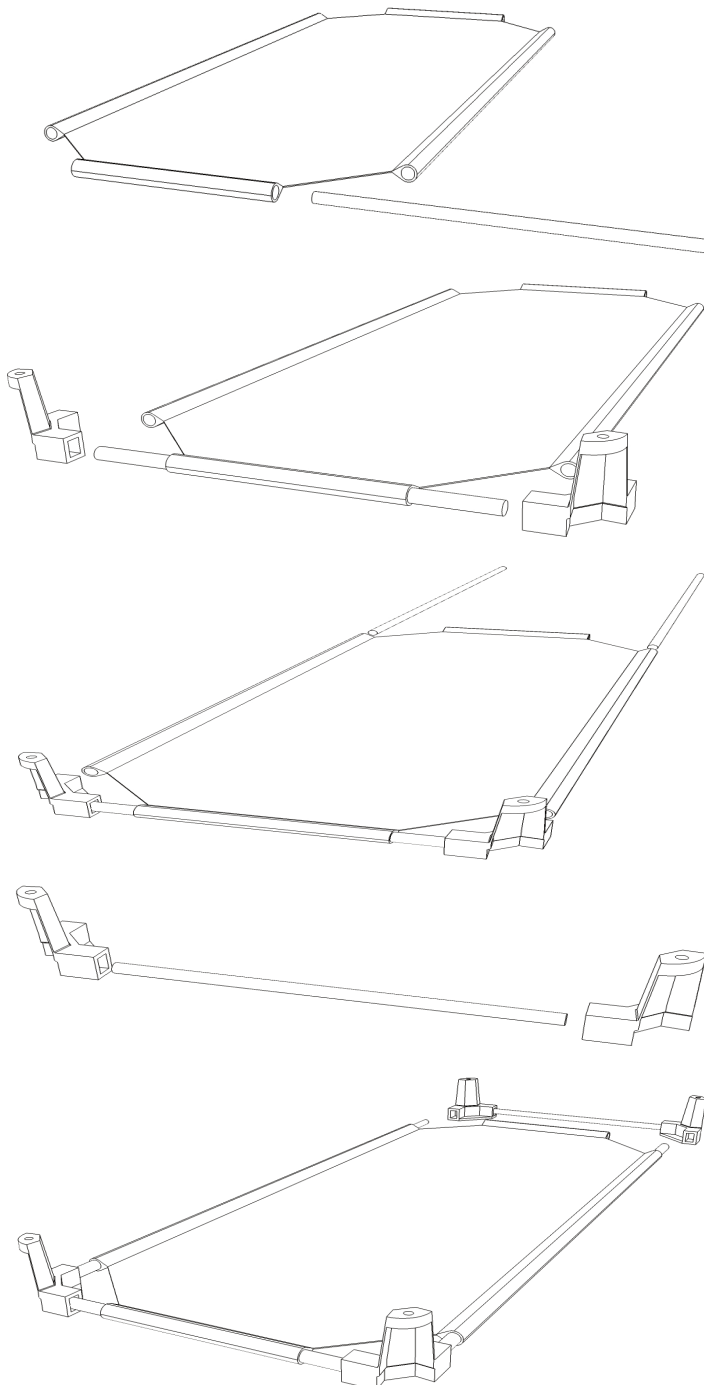
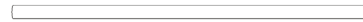
- 2- Long 14 gauge metal poles



- 1- Nylon fabric with velcro side



- 2- Short 14 gauge metal poles



**Step 1:** Unfold the nylon fabric, being sure the velcro side is facing up. Slide one of the short poles through the short stitched side.

**Step 2:** Now, taking two of the high-impact plastic legs, attach to each side of the short pole; being sure that the legs are facing up. Make sure the corners are snugly put together.

**Step 3:** Take the two long poles and slide them down through the two long stitched sides to the already assembled cot corners. Be sure to attach the pole ends.

**Step 4:** Next, taking the remaining two high-impact plastic legs, attach to each side of the second short pole. Make sure the corners are snugly put together.

**Step 5:** Attach the previously assembled short pole and high-impact plastic legs to the two long poles. Lift this end of the cot into the air and push down on the corner pieces to ensure a tight, snug fit. Laying the cot back down, pull the velcro tightly around the short pole and attach snugly. Assembly is now complete.