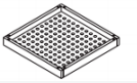

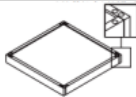




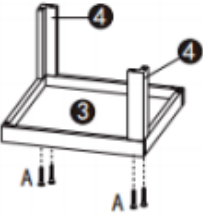
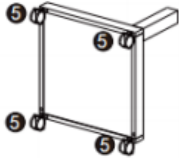
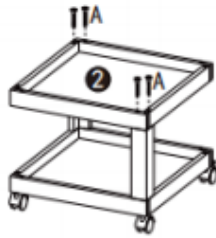
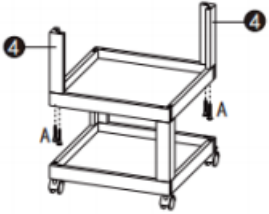
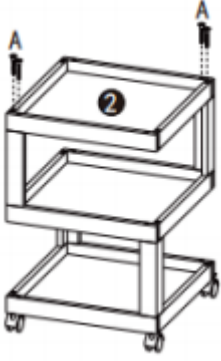
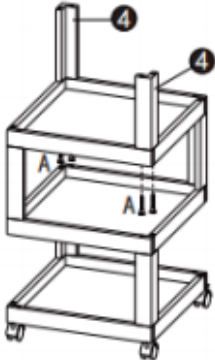
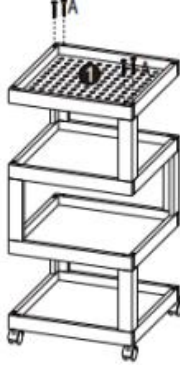
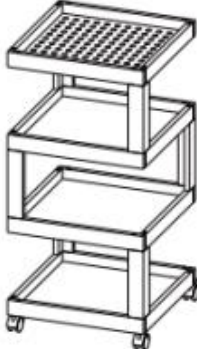


After opening the packaging, first classify the accessories according to the accessory list, and then start installation.

Accessories List				
	①1* Top Plate There is also a type of top plate made of acrylic. We will send you the one you purchase, and the installation will be the same.	②2* Middle Tier Plates	③1* Bottom Plate There are three holes at the bottom of the base plate.	④6* Vertical Bars
				
	⑤4* Wheels	⑥1* Wrench	A Screw	
Installation Diagram				
	Use screw A to fix vertical bar 4 onto base plate 3.	Twist 4 wheels 5 onto the bottom of the base plate.	Fix tier plate 2 with screw A.	Fix vertical bar 4 with screw A.
				
	Fix tier plate 2 with screw A.	Fix vertical bar 4 with screw A.	Fix top plate 1 with screw A.	Installation completed.