

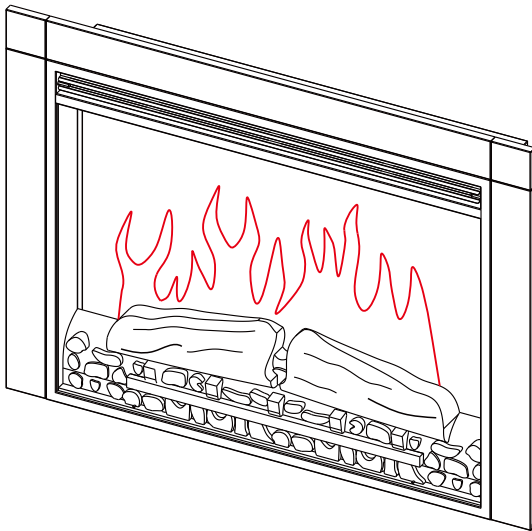




# ELECTRIC FIREPLACE INSERT

MODEL: EF374B EF321B EF375B EF376B EF377B EF378B

EF379B EF380B EF455B EF443B

## OWNER'S MANUAL



|                                                                                                    |                                                                                                                                                                                                                |
|----------------------------------------------------------------------------------------------------|----------------------------------------------------------------------------------------------------------------------------------------------------------------------------------------------------------------|
|  <b>WARNING</b> | Read and understand this entire owner's manual, including all safety information, before plugging in or using this product. Failure to do so could result in fire, electric shock, or serious personal injury. |
|  <b>CAUTION</b> | Keep this owner's manual for future reference. If you sell or give this product away, make sure this manual accompanies this product.                                                                          |

### DO NOT RETURN!

Contact our customer service team for help first.  
[service5@fireandfireplaceservice.com](mailto:service5@fireandfireplaceservice.com)

Call: 949-385-6588



# IMPORTANT SAFETY INFORMATION

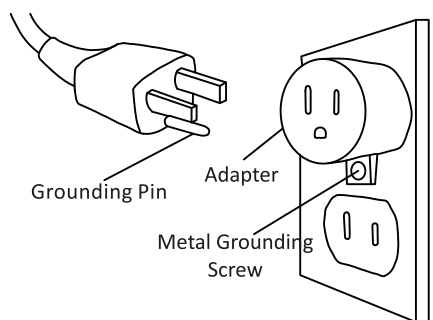
- Read all of the instructions before using this appliance.
- This heater is hot when in use. To avoid burns, DO NOT let bare skin touch hot surfaces. If provided, use handles when moving this heater. Keep combustible materials, such as furniture, pillows, bedding, papers, clothes, and curtains at least 3 feet (0.9m) from the front of the heater, and keep them away from the sides and rear.
- Extreme caution is necessary when any heater is used by or near children or invalids and whenever the heater is left operating and unattended.
- DO NOT operate any heater with a damaged cord or plug or after the heater malfunctions, has been dropped or damaged in any manner. Discard heater, or return to authorized service facility for examination and/or repair.
- DO NOT insert or allow foreign objects to enter any ventilation or exhaust opening, as this may cause electric shock or fire, or damage the heater.
- INDOOR use only! NEVER use this heater outdoors! Doing so may result in electric shock!
- To disconnect heater, turn controls to off, and turn off power to heater circuit at main disconnect panel (or operate internal disconnect switch if provided).
- To prevent a possible fire, DO NOT block air intakes or exhaust in any manner. Doing so could cause a fire. DO NOT use on soft surfaces, like a bed, where openings may become blocked.
- A heater has hot and arcing or sparking parts inside. DO NOT use it in areas where gasoline, paint, or flammable liquids are used or stored.
- Use this heater only as described in this manual. Any other use not recommended by the manufacturer may cause fire, electric shock, or injury to persons.

- Connect to properly grounded outlets ONLY.
- DO NOT place the heater near a bed because objects such as pillows or blankets can fall off the bed and be ignited by the heater.
- NEVER use this heater in bathrooms, laundry rooms, or any other location where the heater could fall into a bathtub or pool, become damp, or come in contact with water.
- AVOID FIRE! Regularly inspect all air vents to make sure they are free from dust, lint, or other blockage. Unplug the unit and clean with a vacuum ONLY. DO NOT rinse or get wet.
- WARNING: REDUCE THE RISK OF FIRE OR ELECTRIC SHOCK---DO NOT USE THIS HEATER WITH ANY SOLID STATE SPEED CONTROL DEVICES.
- For residential use only! NOT for commercial use! Any commercial or public use of this heater voids all warranties, and could cause injury.
- This product is not intended to be a primary heat source. It is for supplemental heat only.
- NEVER modify this heater. Doing so could result in personal injury or property damage. Modification of this fireplace completely voids all warranties.
- ALWAYS disconnect this unit from the power supply before performing any assembly or cleaning, or before relocating the electric fireplace.
- NEVER leave this heater unattended. ALWAYS unplug this heater when not in use.
- ALWAYS store this heater in a dry location. NEVER use the fireplace if it has become wet.
- ONLY use this heater on a 120V AC 15-Amp circuit. NEVER overload the circuit. If this heater trips the circuit breaker, unplug

all other appliances on the same circuit before the next use. Avoid plugging other appliances into the same circuit as this heater.

- NEVER plug this heater into an outlet that is old, cracked, or has any loose wires or connections. Plugging this heater into a faulty outlet could result in electric arcing within the outlet that could cause the outlet to overheat or catch fire.
  - ALWAYS check your heater cord and plug connections with each use!
1. MAKE SURE the plug fits tight in the outlet! Faulty wall outlet connections or loose plugs can cause the outlet to overheat.
  2. Heaters draw more current than small appliances. Overheating may occur even if it has not occurred with the use of other appliances.
  3. During use check frequently to see if the plug outlet or faceplate is HOT!
  4. If the outlet or faceplate is HOT, discontinue use immediately and have a qualified electrician inspect and/or replace the faulty outlets.

This heater has a three-blade grounding type plug as show in below picture. If there is a two-slot receptacles only, an adapter should be used for connecting three-blade grounding type plugs. The grounding plug extending from the adapter must be connected to a permanent ground such as a properly grounded outlet box by a metal screw. The adapter should not be used if a three-slot grounded receptacle is available.



**SAVE THESE INSTRUCTIONS!**

# TECHNICAL SPECIFICATIONS

**MODEL NO.: EF374B/EF321B/EF375B/EF376B/EF377B/EF378B/  
EF379B/EF380B/EF455B/EF443B**

Supply Voltage: AC120V 60Hz

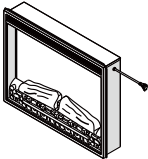




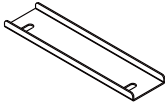
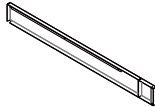
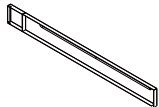
Maximum power consumption: 1.5KW

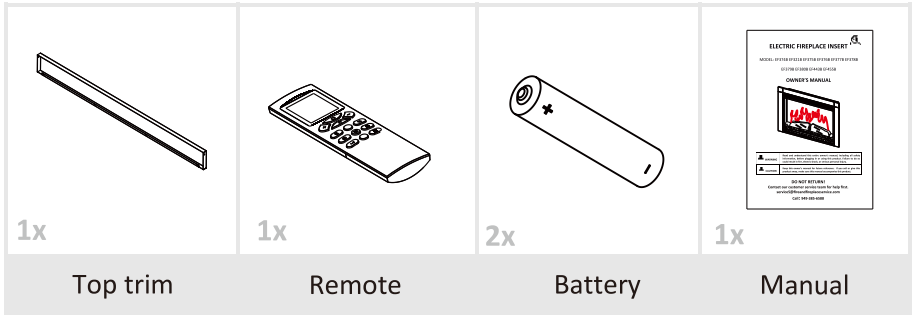
Power for flame and fuel bed effect:

2.9W/3.1W/3.1W/3.8W/2.9W/3.1W/3.1W/3.8W/3.1W/3.8W

## PARTS AND HARDWARE

- Unpack the fire carefully, make sure that the appliance is intact with no signs of damage caused by transport and no part has been exposed to water. If in doubt, do not use the appliance and contact an authorized service center.
- Keep plastic wrapping away from children.
- Save the original packaging as this may be required in the event of service complaint with product.
- Check that all parts are removed from the packaging.

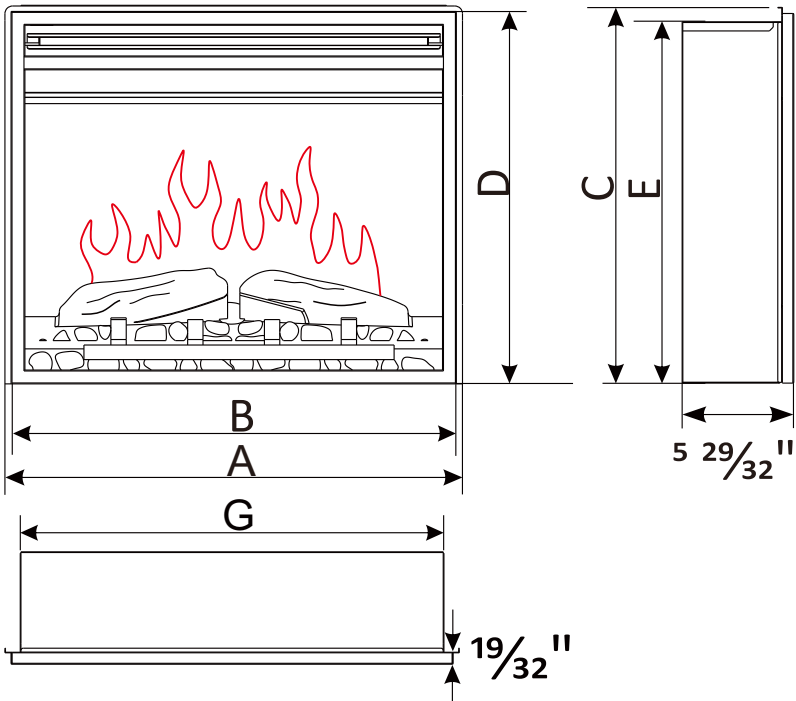
|                                                                                               |                                                                                                                           |                                                                                               |                                                                                               |
|-----------------------------------------------------------------------------------------------|---------------------------------------------------------------------------------------------------------------------------|-----------------------------------------------------------------------------------------------|-----------------------------------------------------------------------------------------------|
|  <p>1x</p>  |  <p>9/9/10/11/9/<br/>9/10/11/13/10x</p> |  <p>2x</p>  |  <p>4x</p>  |
| <p>Firebox</p>                                                                                | <p>Screw ST3.5*9</p>                                                                                                      | <p>Screw ST3*16</p>                                                                           | <p>Screw ST3.5*16</p>                                                                         |
|  <p>2x</p> |  <p>2x</p>                             |  <p>1x</p> |  <p>1x</p> |
| <p>Φ4*20 Wall Plug</p>                                                                        | <p>Fixing Bracket</p>                                                                                                     | <p>Left trim</p>                                                                              | <p>Right trim</p>                                                                             |



Please refer to section **OPERATION INSTRUCTION** part to test the appliance first before installation. Should any defects found, please contact service team for help. Call 949-385-6588 or Email [service5@fireandfireplaceservice.com](mailto:service5@fireandfireplaceservice.com).

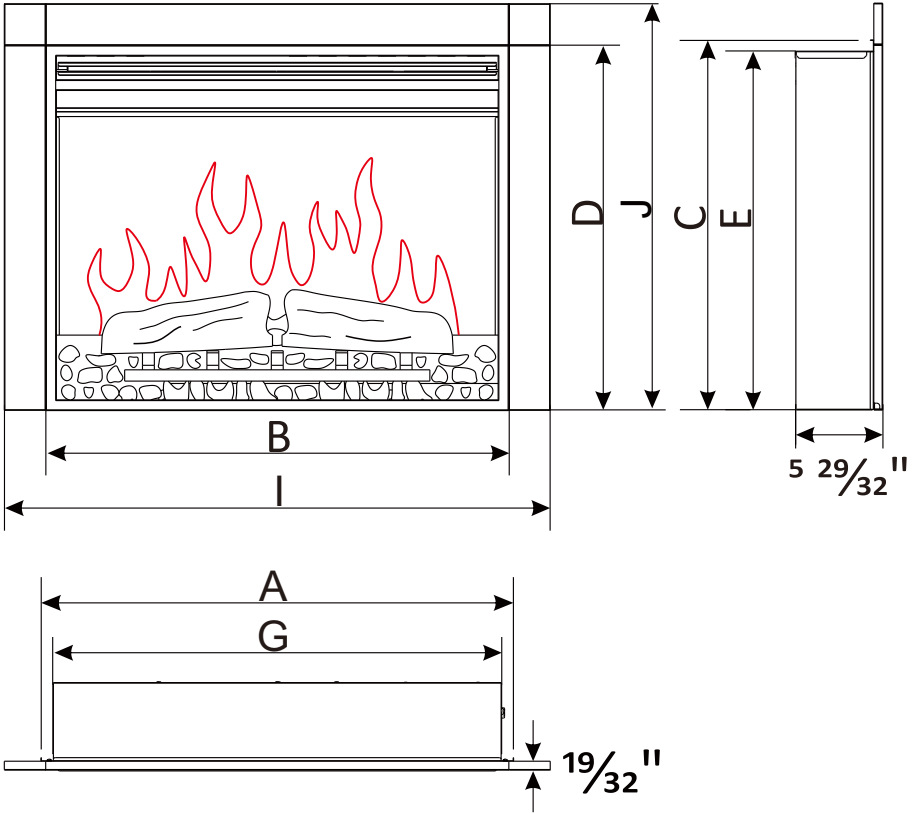
## APPLIANCE DIMENSIONS

Without trim:



| MODEL  | Unit   | A           | B           | C           | D           | E           | G           |
|--------|--------|-------------|-------------|-------------|-------------|-------------|-------------|
| EF374B | mm     | 476         | 460         | 493         | 485         | 477         | 441         |
|        | inches | 18<br>47/64 | 18<br>7/64  | 19<br>13/32 | 19<br>3/32  | 18<br>25/32 | 17<br>23/64 |
| EF321B | mm     | 596         | 580         | 493         | 485         | 477         | 561         |
|        | inches | 23<br>15/32 | 22<br>53/64 | 19<br>13/32 | 19<br>3/32  | 18<br>25/32 | 22<br>3/32  |
| EF375B | mm     | 696         | 680         | 493         | 485         | 477         | 661         |
|        | inches | 27<br>13/32 | 26<br>49/64 | 19<br>13/32 | 19<br>3/32  | 18<br>25/32 | 26<br>1/32  |
| EF376B | mm     | 796         | 780         | 493         | 485         | 477         | 761         |
|        | inches | 31<br>11/32 | 30<br>45/64 | 19<br>13/32 | 19<br>3/32  | 18<br>25/32 | 29<br>61/64 |
| EF377B | mm     | 476         | 460         | 448         | 440         | 432         | 441         |
|        | inches | 18<br>47/64 | 18<br>7/64  | 17<br>41/64 | 17<br>21/64 | 17<br>1/64  | 17<br>23/64 |
| EF378B | mm     | 596         | 580         | 448         | 440         | 432         | 561         |
|        | inches | 23<br>15/32 | 22<br>53/64 | 17<br>41/64 | 17<br>21/64 | 17<br>1/64  | 22<br>3/32  |
| EF379B | mm     | 696         | 680         | 448         | 440         | 432         | 661         |
|        | inches | 27<br>13/32 | 26<br>49/64 | 17<br>41/64 | 17<br>21/64 | 17<br>1/64  | 26<br>1/32  |
| EF380B | mm     | 796         | 780         | 448         | 440         | 432         | 761         |
|        | inches | 31<br>11/32 | 30<br>45/64 | 17<br>41/64 | 17<br>21/64 | 17<br>1/64  | 29<br>61/64 |
| EF455B | mm     | 696         | 680         | 558         | 550         | 542         | 661         |
|        | inches | 27<br>13/32 | 26<br>49/64 | 21<br>31/32 | 21<br>21/32 | 21<br>11/32 | 26<br>1/32  |
| EF443B | mm     | 796         | 780         | 623         | 615         | 607         | 761         |
|        | inches | 31<br>11/32 | 30<br>45/64 | 24<br>17/32 | 24<br>7/32  | 23<br>57/64 | 29<br>61/64 |

**With trim:**



| MODEL  | Unit   | A                     | B                     | C                     | D                    | E                     | G                     | I                     | J                     |
|--------|--------|-----------------------|-----------------------|-----------------------|----------------------|-----------------------|-----------------------|-----------------------|-----------------------|
| EF374B | mm     | 476                   | 460                   | 493                   | 485                  | 477                   | 441                   | 600                   | 555                   |
|        | inches | 18<br>$\frac{47}{64}$ | 18<br>$\frac{7}{64}$  | 19<br>$\frac{13}{32}$ | 19<br>$\frac{3}{32}$ | 18<br>$\frac{25}{32}$ | 17<br>$\frac{23}{64}$ | 23<br>$\frac{5}{8}$   | 21<br>$\frac{27}{32}$ |
| EF321B | mm     | 596                   | 580                   | 493                   | 485                  | 477                   | 561                   | 720                   | 555                   |
|        | inches | 23<br>$\frac{15}{32}$ | 22<br>$\frac{53}{64}$ | 19<br>$\frac{13}{32}$ | 19<br>$\frac{3}{32}$ | 18<br>$\frac{25}{32}$ | 22<br>$\frac{3}{32}$  | 28<br>$\frac{11}{32}$ | 21<br>$\frac{27}{32}$ |
| EF375B | mm     | 696                   | 680                   | 493                   | 485                  | 477                   | 661                   | 820                   | 555                   |
|        | inches | 27<br>$\frac{13}{32}$ | 26<br>$\frac{49}{64}$ | 19<br>$\frac{13}{32}$ | 19<br>$\frac{3}{32}$ | 18<br>$\frac{25}{32}$ | 26<br>$\frac{1}{32}$  | 32<br>$\frac{9}{32}$  | 21<br>$\frac{27}{32}$ |
| EF376B | mm     | 796                   | 780                   | 493                   | 485                  | 477                   | 761                   | 920                   | 555                   |
|        | inches | 31<br>$\frac{11}{32}$ | 30<br>$\frac{45}{64}$ | 19<br>$\frac{13}{32}$ | 19<br>$\frac{3}{32}$ | 18<br>$\frac{25}{32}$ | 29<br>$\frac{61}{64}$ | 36<br>$\frac{7}{32}$  | 21<br>$\frac{27}{32}$ |

|        |        |             |             |             |             |             |             |             |             |
|--------|--------|-------------|-------------|-------------|-------------|-------------|-------------|-------------|-------------|
| EF377B | mm     | 476         | 460         | 448         | 440         | 432         | 441         | 600         | 510         |
|        | inches | 18<br>47/64 | 18<br>7/64  | 17<br>41/64 | 17<br>21/64 | 17<br>1/64  | 17<br>23/64 | 23<br>5/8   | 20<br>5/64  |
| EF378B | mm     | 596         | 580         | 448         | 440         | 432         | 561         | 720         | 510         |
|        | inches | 23<br>15/32 | 22<br>53/64 | 17<br>41/64 | 17<br>21/64 | 17<br>1/64  | 22<br>3/32  | 28<br>11/32 | 20<br>5/64  |
| EF379B | mm     | 696         | 680         | 448         | 440         | 432         | 661         | 820         | 510         |
|        | inches | 27<br>13/32 | 26<br>49/64 | 17<br>41/64 | 17<br>21/64 | 17<br>1/64  | 26<br>1/32  | 32<br>9/32  | 20<br>5/64  |
| EF380B | mm     | 796         | 780         | 448         | 440         | 432         | 761         | 920         | 510         |
|        | inches | 31<br>11/32 | 30<br>45/64 | 17<br>41/64 | 17<br>21/64 | 17<br>1/64  | 29<br>61/64 | 36<br>7/32  | 20<br>5/64  |
| EF455B | mm     | 696         | 680         | 558         | 550         | 542         | 661         | 820         | 620         |
|        | inches | 27<br>13/32 | 26<br>49/64 | 21<br>31/32 | 21<br>21/32 | 21<br>11/32 | 26<br>1/32  | 32<br>9/32  | 24<br>13/32 |
| EF443B | mm     | 796         | 780         | 623         | 615         | 607         | 761         | 920         | 685         |
|        | inches | 31<br>11/32 | 30<br>45/64 | 24<br>17/32 | 24<br>7/32  | 23<br>57/64 | 29<br>61/64 | 36<br>7/32  | 26<br>31/32 |

## INSTALLATION INSTRUCTIONS

### Tools Required

A screw driver and a  $\Phi$ 4mm impact drill will be needed.

### Locating the Appliance

Your new electric fireplace may be installed virtually anywhere in your home. However, when choosing a location ensure that the general instructions are followed.

1.1 For best results, install out of direct sunlight.

1.2 The appliance should be connected to an earthed electrical outlet and it must be easily accessible to allow disconnection.

### Prepare the electrical supply

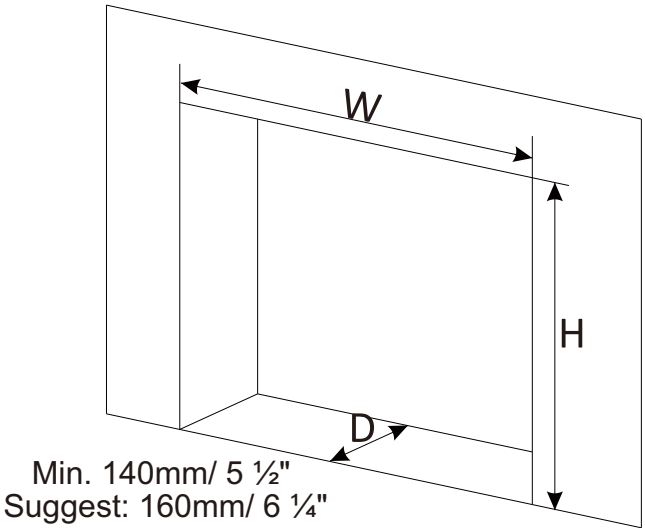
- Plan the location of the appliance so that it will have adequate electric power. A 15 AMP, 60Hz circuit is required for 120V installation. The appliance should ideally be located close to a suitable main socket to enable power connection.

- The power cord is 6ft long and locates on the right side of the unit. If the cord is found not long enough to reach the outlet, a grounded extension could be run from an existing socket outlet but a minimum size 14 AWG with a minimum rating 1875W would be recommended, and it should not be longer than 7ft and 10 31/64".
- Always make sure the outlet is in good condition and the plug is not loose. NEVER exceed the maximum amperage of the circuit.

**Installing the Appliance**

Install into the wall

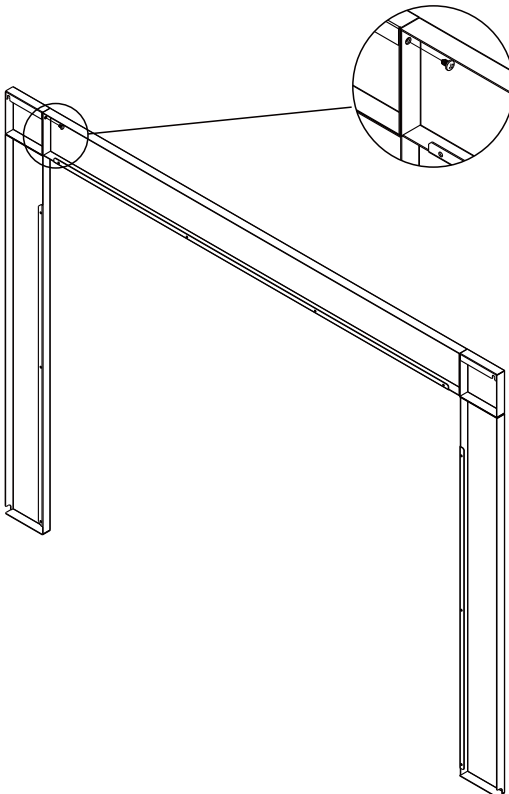
1. Prepare the opening.



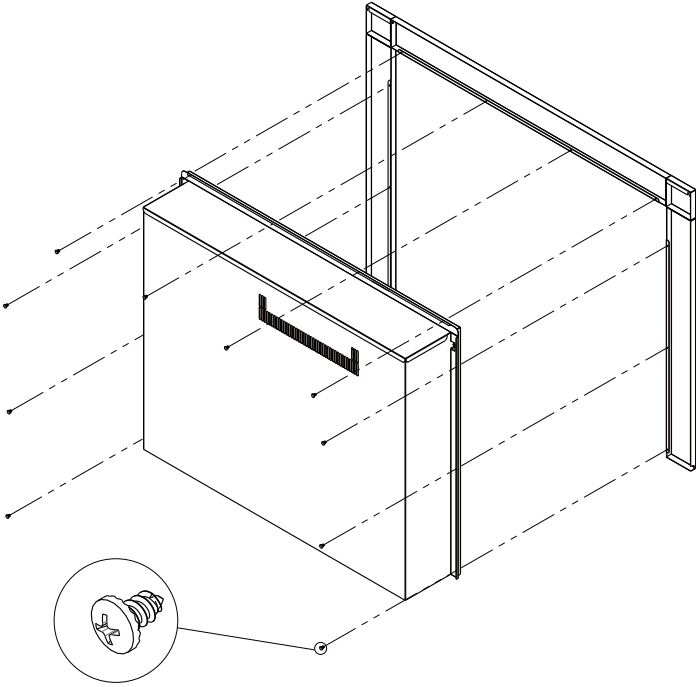
| MODEL  | Unit   | W                   | H                   | W1       | H1       |
|--------|--------|---------------------|---------------------|----------|----------|
| EF374B | mm     | 480-590             | 496-550             | 587      | 547      |
|        | inches | 18 57/64 - 23 15/64 | 19 17/32 - 21 21/32 | 23 7/64  | 21 17/32 |
| EF321B | mm     | 600-710             | 496-550             | 707      | 547      |
|        | inches | 23 5/8 - 27 61/64   | 19 17/32 - 21 21/32 | 27 53/64 | 21 17/32 |
| EF375B | mm     | 700-810             | 496-550             | 807      | 547      |
|        | inches | 27 9/16 - 31 57/64  | 19 17/32 - 21 21/32 | 31 49/64 | 21 17/32 |
| EF376B | mm     | 800-910             | 496-550             | 907      | 547      |
|        | inches | 31 1/2 - 35 53/64   | 19 17/32 - 21 21/32 | 35 5/64  | 21 17/32 |

|        |        |                     |                     |          |          |
|--------|--------|---------------------|---------------------|----------|----------|
| EF377B | mm     | 480-590             | 451-505             | 587      | 502      |
|        | inches | 18 57/64 - 23 15/64 | 17 3/4 - 19 7/8     | 23 7/64  | 19 49/64 |
| EF378B | mm     | 600-710             | 451-505             | 707      | 502      |
|        | inches | 23 5/8 - 27 61/64   | 17 3/4 - 19 7/8     | 27 53/64 | 19 49/64 |
| EF379B | mm     | 700-810             | 451-505             | 807      | 502      |
|        | inches | 27 9/16 - 31 57/64  | 17 3/4 - 19 7/8     | 31 49/64 | 19 49/64 |
| EF380B | mm     | 800-910             | 451-505             | 907      | 502      |
|        | inches | 31 1/2 - 35 53/64   | 17 3/4 - 19 7/8     | 35 5/64  | 19 49/64 |
| EF455B | mm     | 700-810             | 561-615             | 807      | 612      |
|        | inches | 27 9/16 - 31 57/64  | 22 3/32 - 24 7/32   | 31 49/64 | 24 3/32  |
| EF443B | mm     | 800-910             | 626-680             | 907      | 677      |
|        | inches | 31 1/2 - 35 53/64   | 24 41/64 - 26 49/64 | 35 5/64  | 26 21/32 |

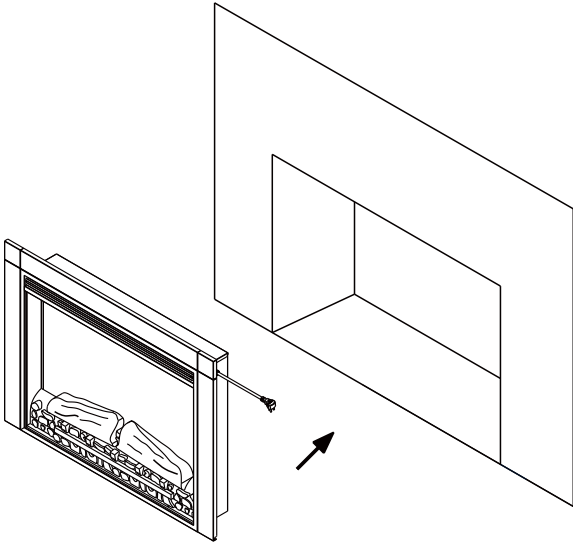
2. Secure the trim kit on top by 2pcs ST3.5\*9 screws.



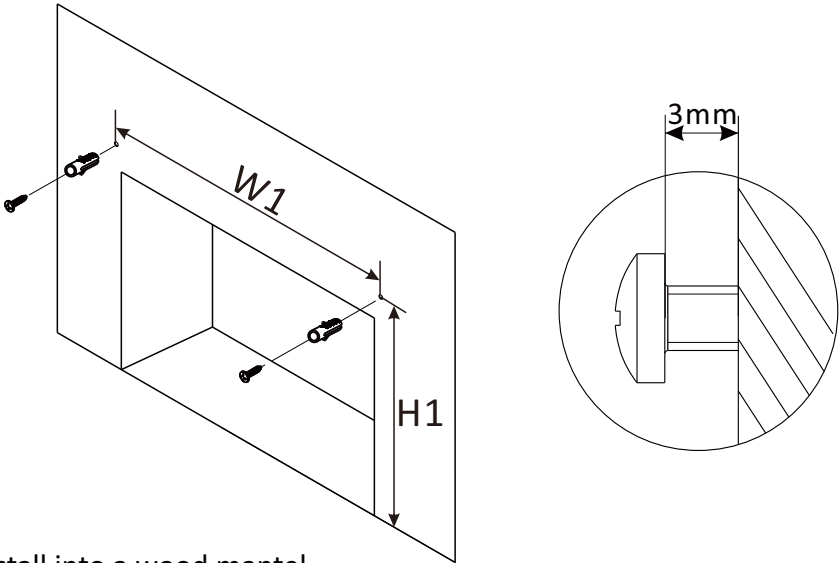
3. Fix the trim kit to the firebox by ST3.5\*9 screws.



4. Insert the firebox into the wall

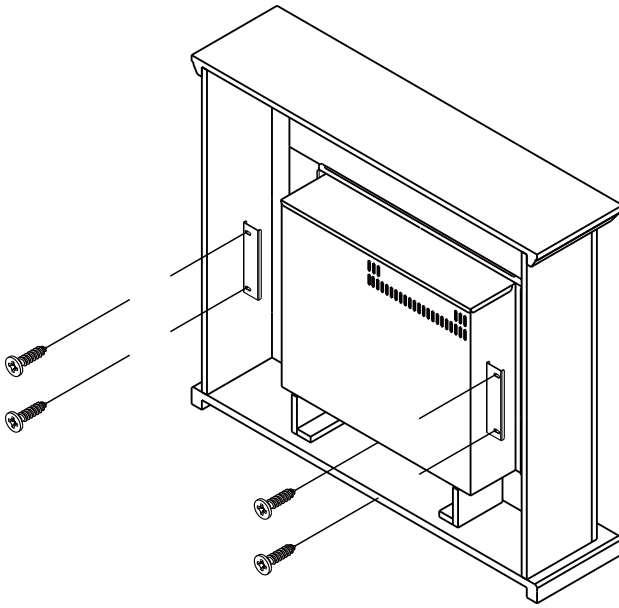


5. If the opening of your wall is less than one dimension of W1 or H1, you may fix the firebox by following step a, b, c below.
  - a. Drill 2 holes on the wall by a  $\Phi 4\text{mm}$  impact drill for securing the firebox according to the dimension of W1 and H1.
  - b. Insert the wall plugs into the holes, fix 2 ST3\*16 screws into the wall plugs, make sure that there is 3mm left outside the wall surface.
  - c. Hang the firebox onto the wall. There are holes at the corner of the back of the trim for securing.



Install into a wood mantel

1. Follow above steps of installing into the wall if you install it with trim in your mantel.
2. Install the firebox without trim.
  - a. Opening dimensions:  
 B+4mm wide  
 D+3mm high  
 140mm deep at least.  
 Product dimensions please refer to page 5-6.
  - b. Fix the firebox into the back of the fireplace with four ST3.5\*16 screws and fixing brackets.



## OPERATING INSTRUCTION

### 1. GENERAL

**WARNING!** Do not operate the appliance if it is damaged or has mal-functioned. If you suspect the appliance is damaged or has malfunctioned, call a qualified service engineer to inspect the appliance, and replace any part of the electrical system if necessary, before re-use.

**WARNING!** To reduce the risk of fire, keep textiles, curtains, or any other flammable material a minimum distance of 1 meter from the air outlet.

- MAKE SURE the plug fits tight in the outlet. Faulty wall outlet connections or loose plugs can cause the outlet to overheat.
- DO NOT disconnect the power at the mains supply whilst the appliance is running. Use the functions on the remote to turn the fire off and ensure the mains switch has been moved to the off position before disconnecting.

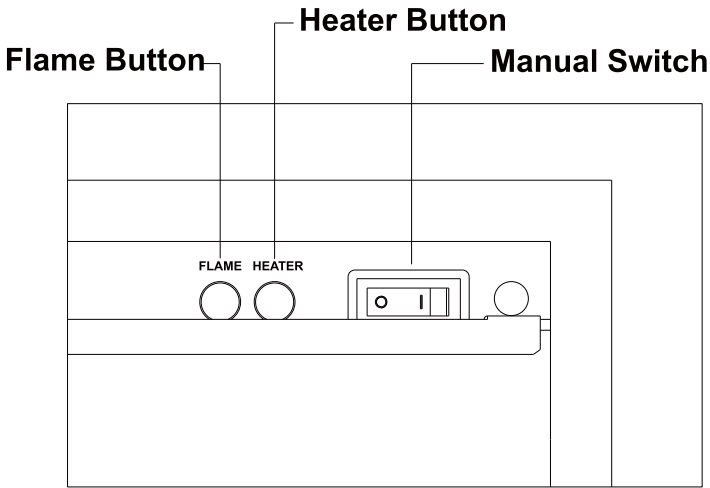
## PREPARATION BEFORE USE

- The appliance can be operated conveniently manually or via the remote control handset.

## MAIN POWER SWITCH

- The main power switch is located on the control panel located on the upper right corner.
- Press Manual Switch before operating either manual control or remote.
- A long beep is heard to indicate the fire is ready for use.

## 2. MANUAL CONTROL PANEL



**NOTE:** Each time a button is pressed on the appliance or on the remote control an audible beep is emitted. To turn off this feature, hold your finger on the **FLAME** button (on the appliance) for 3 Seconds, 2 quick beeps indicates the success.

- **Manual Switch:** Press to turn on or off power to the appliance.
- **Flame:** Press to turn on or off flame.
- **Heater:** Press to cycle through low, high heater, auto heating and off setting.

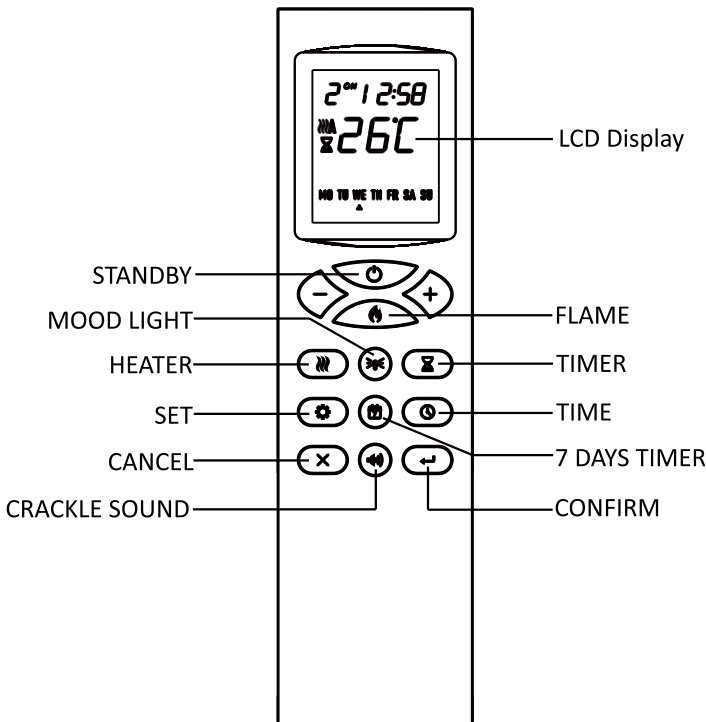
**NOTE:**












- The manual button controls basic functions, not a full range of controls. Use the remote handset to carry out all functions.
- The controls on appliance will lose the memory for all function settings when the switch is set to the Off Position.
- In order to prevent the product becoming too hot, there is a 10s delay when turning on the heater and a 10s delay when turning off the heater fan.


**3. REMOTE CONTROL**

**NOTE:**

- Ensure that the handset batteries are new and inserted correctly.
- Aim the remote control at the remote receiver which is behind the middle of the flame screen.








| BUTTON                                                                              | TITLE         | FUNCTION                                                                                                                                                   |
|-------------------------------------------------------------------------------------|---------------|------------------------------------------------------------------------------------------------------------------------------------------------------------|
|    | STANDBY       | Turns on the appliance with the last used settings without any heat. Place the appliance into standby mode with all features turned off.                   |
|    | FLAME         | Press to turn on or off flame.<br>Press for 3s to change the temperature unit between °F and °C.                                                           |
|    | HEATER        | Press to cycle through Low-High-Auto heating-Off.<br>Note: if the thermostat is on and room temp is higher than temperature set, the heater will not work. |
|    | MOOD LIGHT    | Press to turn on mood light ONLY when you connect a LED ambient light.                                                                                     |
|    | TIMER         | Press to cycle through 0.5H, 1H, 2H, 3H, 4H, 5H, 6H, 7H, 8H, 9H, 10H and off                                                                               |
|    | SET           | Press 3s to enter 7 days timer setting.                                                                                                                    |
|   | 7 DAYS TIMER  | Press to select a day to set the time or timer.                                                                                                            |
|  | TIME          | Press 3s to enter current time setting.<br>Press to check the time set of heating start and end.                                                           |
|  | CRACKLE SOUND | Press to on or off the crackle sound.                                                                                                                      |
|  | CANCEL        | Cancel and exit the time and 7 days timer setting.                                                                                                         |
|  | CONFIRM       | Confirm after finishing the week timer setting.                                                                                                            |

|                                                                                  |     |                                                                                               |
|----------------------------------------------------------------------------------|-----|-----------------------------------------------------------------------------------------------|
|  | +/- | Press to adjust the flame brightness, crackle sound volume, temperature set and time numbers. |
|----------------------------------------------------------------------------------|-----|-----------------------------------------------------------------------------------------------|

**NOTE:** Compatible mood light strips are available from Legend Flame Group. Other makes may not be suitable, and will void warranty.





### Set Up Current Day and Time





Hold  button on the remote for 3s to enter current date and time setting mode;

Repeatedly press  button to select a day, MO-SU will show on the display which represents Monday-Sunday. Press  button to set minute, and press  button to set hour, Press  button to confirm.

### Set Up the 7 Days Timer

You set a time period in a day firstly when you want to turn on the heater, and then you choose the days in a week what you want to turn on the heater in this period. You can set 5 periods in total.

- a. Hold  button on the remote for 3s to enter 7 days timer setting mode;
- b. The number “1” will flicker, you can press + or – to change other time period 2 to 5, press  to confirm, then ON will flicker, press – to set the hour and + to set the minute to set the time to turn on the heater; Press  to change to OFF, press -/+ to set the time to turn off the heater;
- c. Press  to set the temperature;

- d. Press  to select the day what will turn on the heater in time period 1, press  to select the day and press  to cancel the current selection, press  to save the settings for time period 1.
- e. You can repeat above steps to set period 2 to 5.

## CLEANING

**WARNING!** ALWAYS turn the heater OFF and unplug the power cord from the outlet before cleaning, performing maintenance, or moving this fireplace. Fail to do so could result in electric shock, fire, or personal injury.

**WARNING!** NEVER immerse in water or spray with water. Doing so could result in electric shock, fire, or personal injury.

### METAL:

- Buff using a soft cloth, slightly dampened with a citrus oil-based product.
- DO NOT use brass polish or household cleaners as these products will damage the metal trim.

### GLASS:

- Use a good quality glass cleaner and dry thoroughly with a paper towel or lint-free cloth.
- NEVER use abrasive cleansers, liquid sprays, or any cleaner that could scratch the surface.

### PLASTIC:

- Wipe gently with a slightly damp cloth and a mild solution of dish soap and warm water.
- NEVER use abrasive cleansers, liquid sprays, or any cleaner that could scratch the surface.

### **Vents:**

- Use a vacuum or duster to remove dust and dirt from the heater and vent areas.
- Clean the exterior of the fireplace with a slightly damp cloth or duster.

## **MAINTENANCE**

**WARNING!** Risk of electric shock! DO NOT OPEN! No user-serviceable parts inside!

### **Electrical and Moving Parts:**

- The fan motors are lubricated at the factory and will not require lubrication.
- Electrical components are integrated in the fireplace and are not serviceable by the consumer.

### **Replacement parts:**

- Use only replacement parts supplied by the manufacturer. Use of any other parts, or modifying the fireplace in any way, will void all warranties.

## **LIMITED WARRANTY**

This warrants to the original purchaser that this product is free from defects in material and workmanship as of the date of purchase and that it will, under normal use and proper care, remain so for one year from the date of purchase. Missing or initially defective parts will be replaced free of charge during the period of this limited warranty. If parts are unavailable, comparable replacement or refund will be given.

**The original dated sales receipt is required for all warranty claims.**

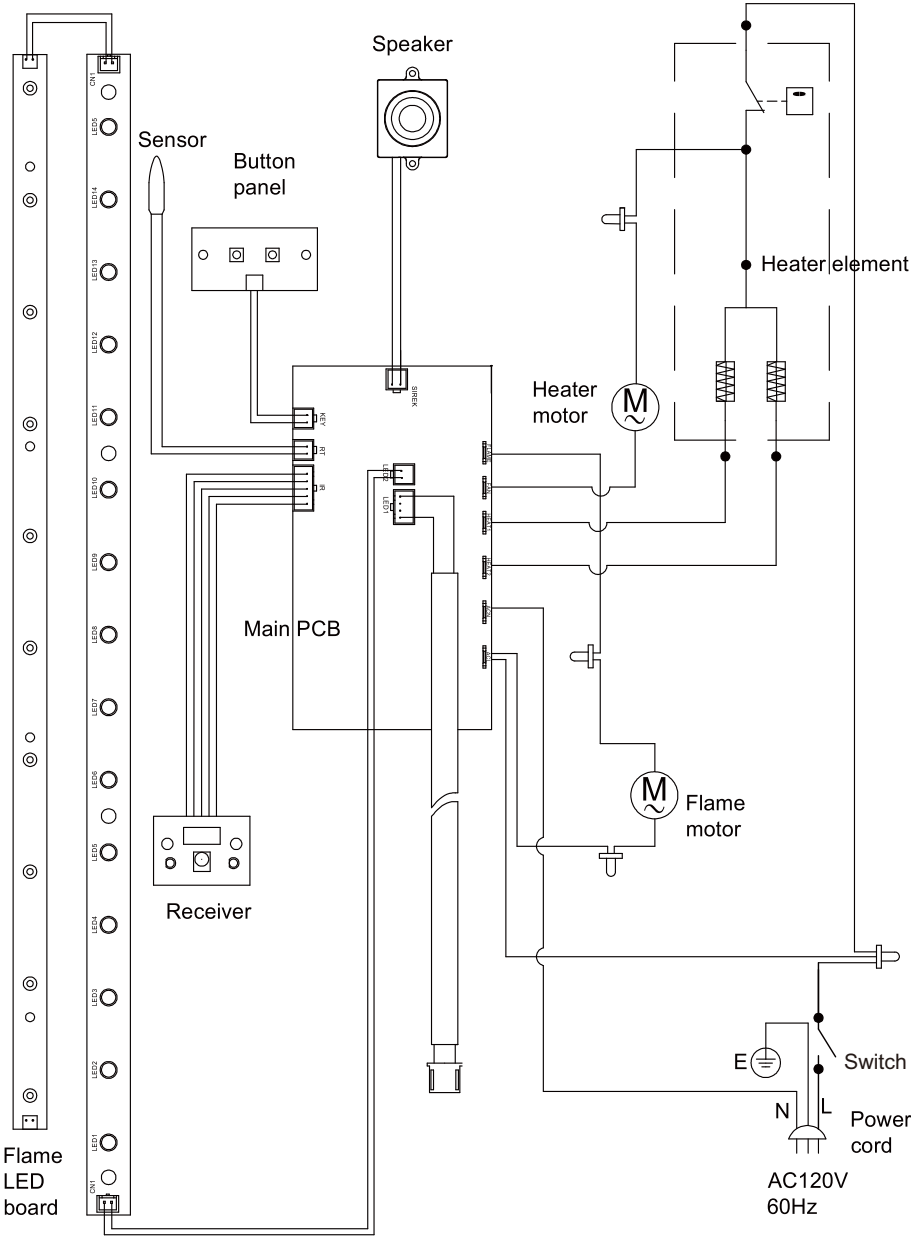
This warranty does not cover damage which has occurred during transport from the point of purchase to the consumer's home. This warranty does not cover glass, light bulbs, batteries, transportation, labor, or other issues not associated with the manufacture of the product.

**This product is for residential use only. Any and all commercial use of this product voids all warranties, and frees the manufacturer from all liability.**

Read and understand all assembly and operating instructions, and all safety information and warnings, before use. The following will void this warranty: Damage caused from tampering with, modifying, or altering the fireplace insert in any manner; Damage due to incorrect assembly, improper care, misuse, or abuse; Damage from being used with the wrong power source; Water damage; Damage caused from this insert being used outdoors; Damage caused from this insert being used for excessive periods of time; Damage caused by the insert being used in a commercial application; Damage from use as a primary heat source; Other misuse or abuse not specifically listed herein.

**This product is not intended to be used as a primary heat source. It is for supplemental heating purposes only.**

# Schematic Diagram



**Legend Flame Group LLC**

**Address: 92 Corporate Park, Ste. C655 Irvine, CA 92606, United States**