

DREAMS

IDEA

Instruction Manual



DREAMS/DEA

NO.CS0006-E1-ARM CHAIR-2ST

NOTICE

THE PILLOWS ARE FILLED WITH CUT SPONGE,
WHICH IS A PRODUCING TECHNIQUE.

WE PROMISE THAT ALL RAW MATERIALS
USED ARE BRAND NEW, SAFE TO USE,

AND IN ACCORDANCE WITH LAWS AND REGULATIONS,
WILL NOT EFFECT THE QUALITY AND SAFETY.

WE RECOMMEND ASK FOR PROFESSIONAL HELP IF NEEDED,
AND WE ALSO PROVIDE INSTALLATION VIDEO WITH THIS INSTRUCTIONS,
PLEASE CHECK THE STEPS CAREFULLY BEFORE YOU START.

IF YOU HAVE ANY QUESTIONS,
PLEASE FEEL FREE TO CONTACT US ANYTIME.

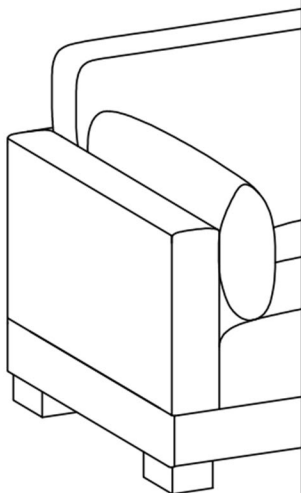
HAVE A GREAT DAY!



ITEM NO.CS0006-E1-ARM CHAIR-2ST

WARRANTY

We strive to offer high quality product and we also try our best to satisfy each customer that order from us, no matter on products or services as needed. Each customer receives a record of their order, such as the order number or item receipt. For any items that are out of warranty period, you may still be able to purchase the replacement parts from our company if they are available.



Are you having difficulty
with assembly? Missing parts?

Please contact us : info@firstopintl.com

Tel:(562)-781-3327

send an email with your order No. to us

For return, please check the return policy with
the retailer or platforms you bought from.

Appreciate your purchasing from us.

Pop up your life by our furniture !

MAINTENANCE AND WARNING

Please read the manual thoroughly
before you start installing.

Please keep the product away from
sharp object.

Packaging and small parts may have
chocking hazard, please keep them away
from children and pets.

Please clean the product according to each
clean code, check the product description
for more information.

Please keep the product away from fire.

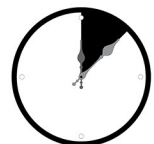
If you have any other questions, please
contact us, we will be glad to help you out.

If the product is placed under direct
sunlight, the pattern or color might fade
away overtime.

Check the product periodically to make
sure everything is secured and tightened.

Always use proper tools for installation.

Do not jump on the product.



Around 35 min

PRDOUCT DESCRIPTION

Provides a rectangular sofa and 3 single sofas to meet the needs of other family members.

Whole structure is made of hardwood and metal, also solid wood legs, weight capacity can be up to 1200 lbs.

Fully filled sofa foam cushions provide the most comfortable sitting posture and back support.

Cushioned backrests can be rearranged for additional comfort, also come with small pillows to support arms or neck.

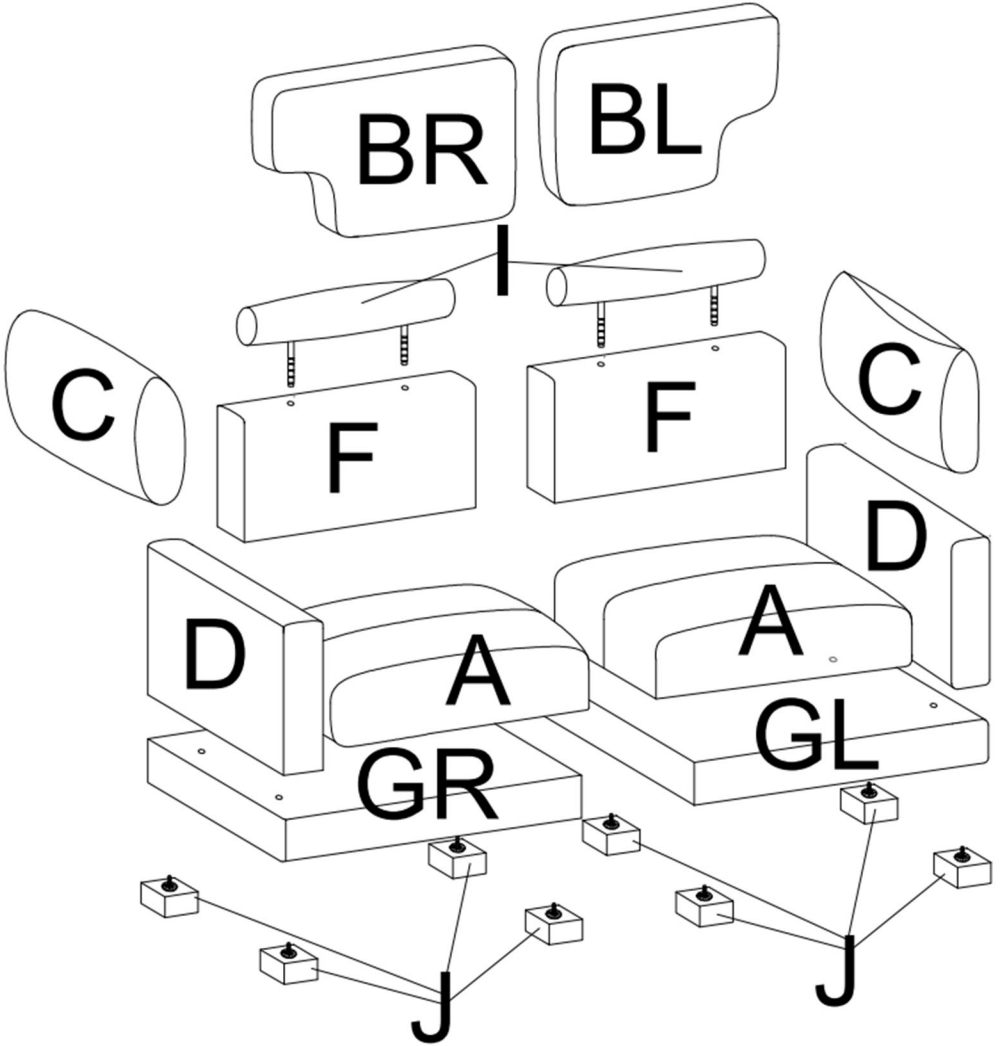
The entire sofa is made from corduroy material, giving you a comfortable experience.

Dream



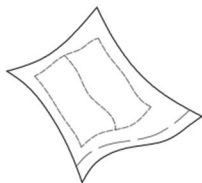
House

EXPLODED VIEW



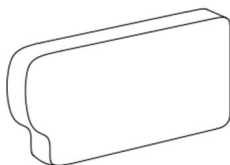
PARTS

A*2



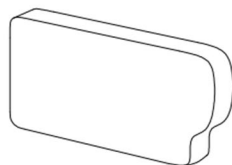
Seat cushion

BR*1



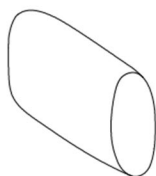
Back cushion

BL*1



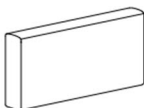
Back cushion

C*2



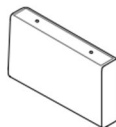
Armrest cushion

D*2



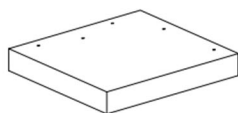
Armrest frame

F*2



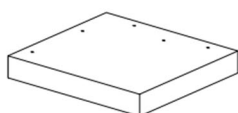
Backrest frame

GL*1



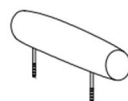
Sofa frame

GR*1



Sofa frame

I*2



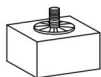
Headrest

HARDWARE

TOOL LIST

NOTE: Designated with (★) We provide additional spare parts in the hardware package

J*8



Legs

K*1



Allen key

L*10



★ BOLT&SHIM
M8*50mm

M*2

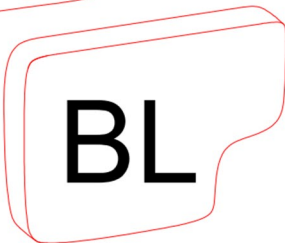
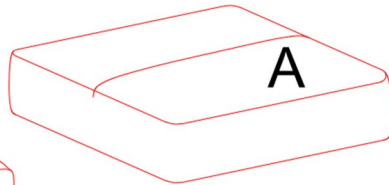
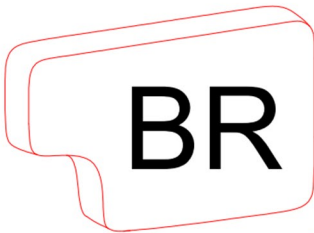
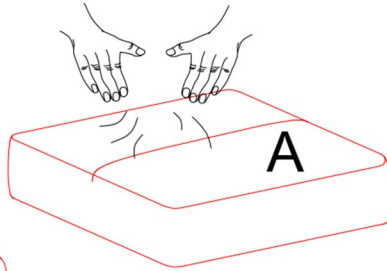
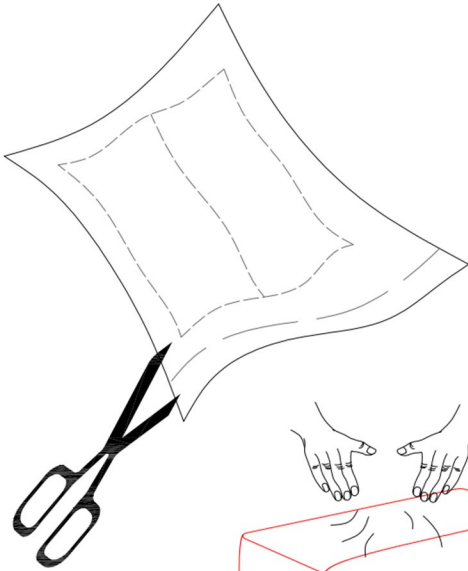


HOOK

Please make sure all hardware&packing material fitting the list.
Especially some small accessories may be missing during transportation. Please contact us if you have any question.

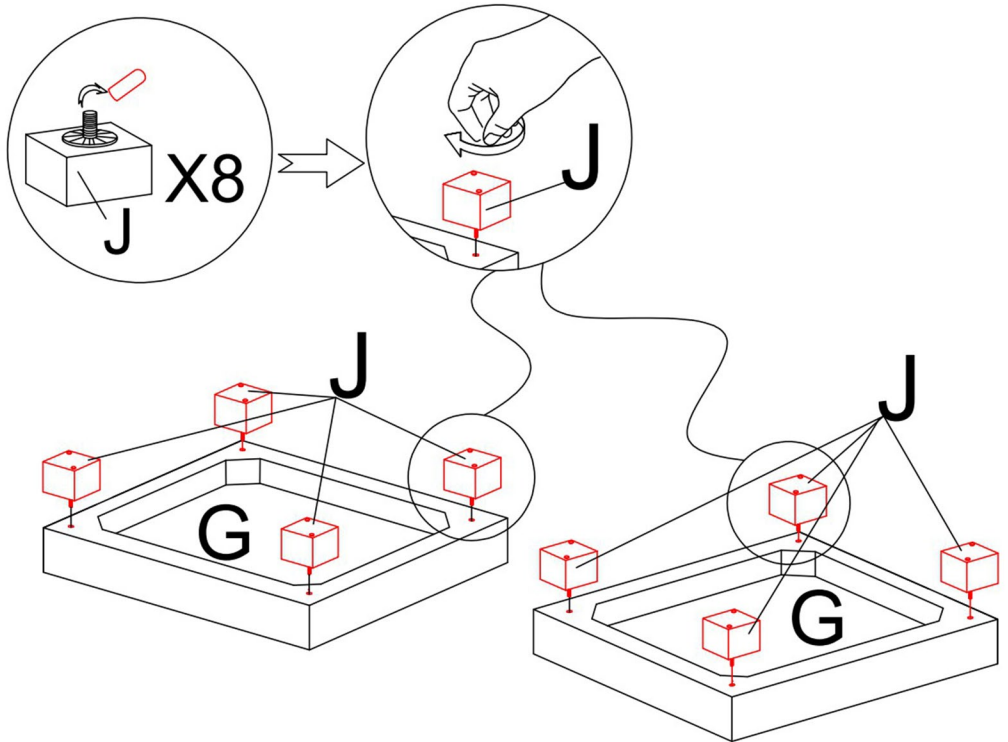
step 1

After taking out of the cushions (A&BR&BL) from the air compression bag, please allow it to recover for a period of time. It might take up to 48 hours to be fully recovered, you may gently slap onto the cushion to speed up the process.



step 2

Remove the plastic caps from the bolt parts of the wooden legs, then twist the wooden legs (J) clockwise into each corner of the seat frame (G) as shown, make sure they are fully tightened.

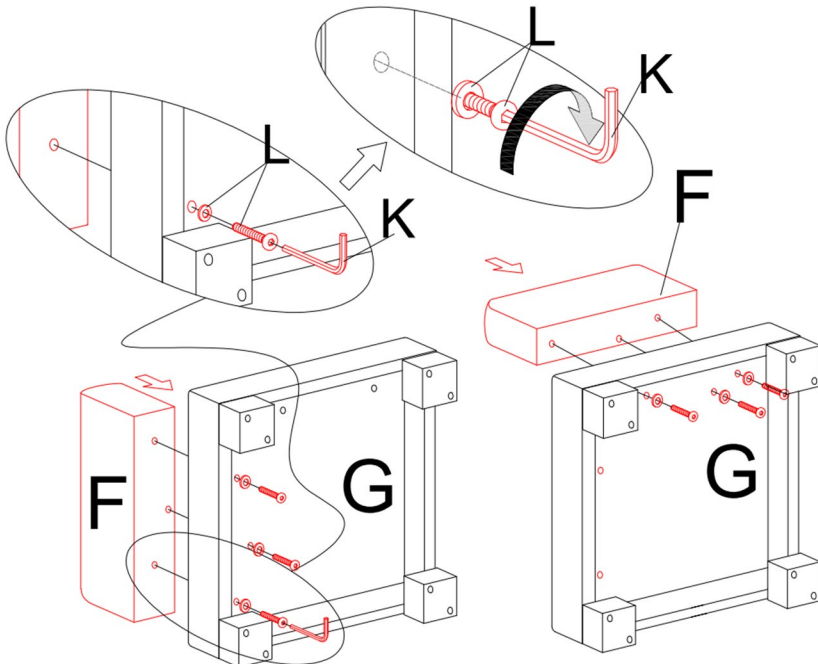


step 3

Place the sofa frame on its side on a clean surface, and install the backrest frames (F) on two sides as shown. Align the bolt holes on both backrest frames (F) and seat frame (G), first add one flat washer on each bolt, then use the allen wrench (K) to tighten all bolts.

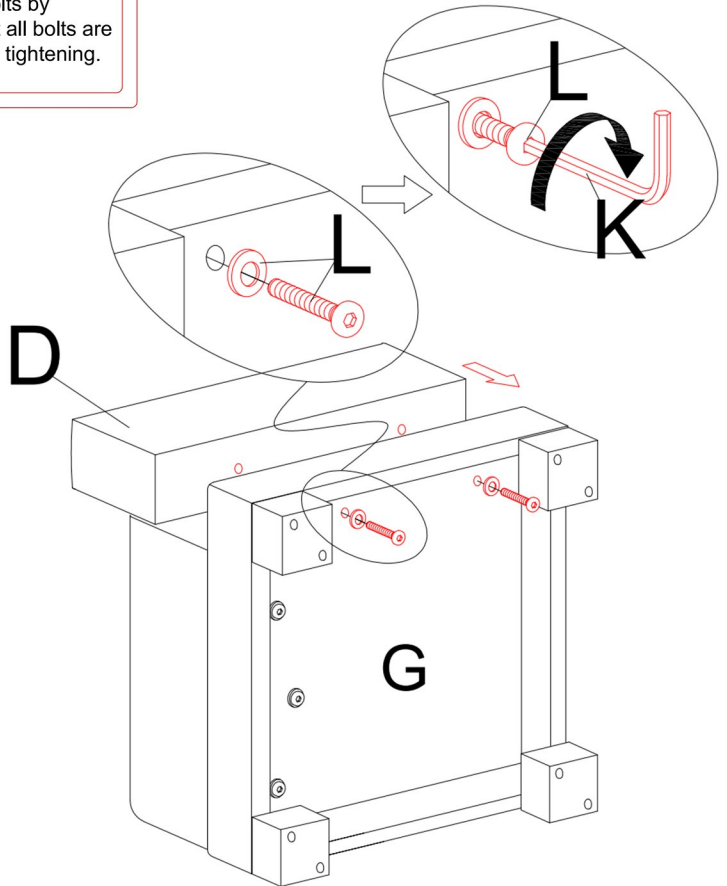
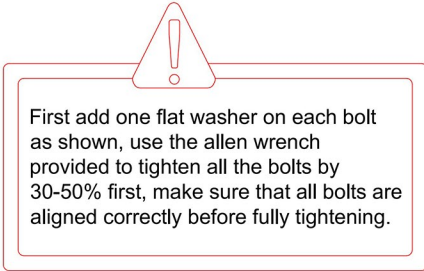


First add one flat washer on each bolt as shown, use the allen wrench provided to tighten all the bolts by 30-50% first, make sure that all bolts are aligned correctly before fully tightening.



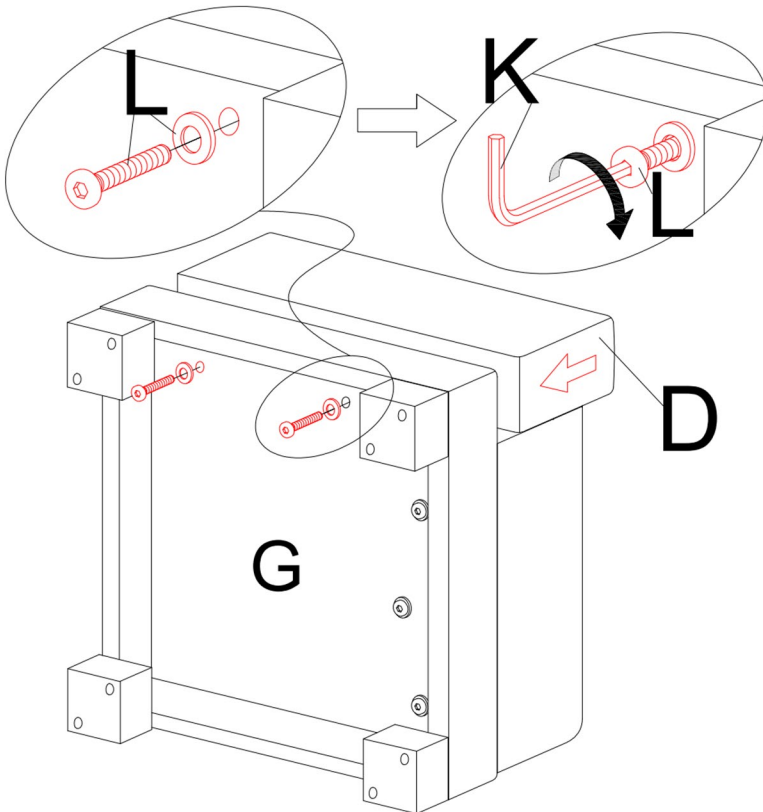
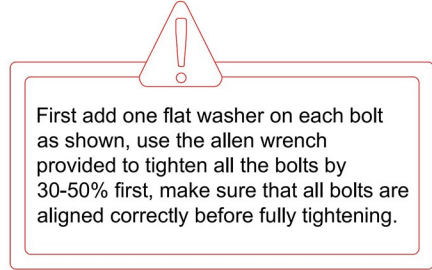
step 4

Install the armrest (D) to the previous part as shown, align the bolt holes on both seat frame (G) and armrest frame (D), first add one flat washer on each bolt, then use the allen wrench (K) to fully tighten the bolts.



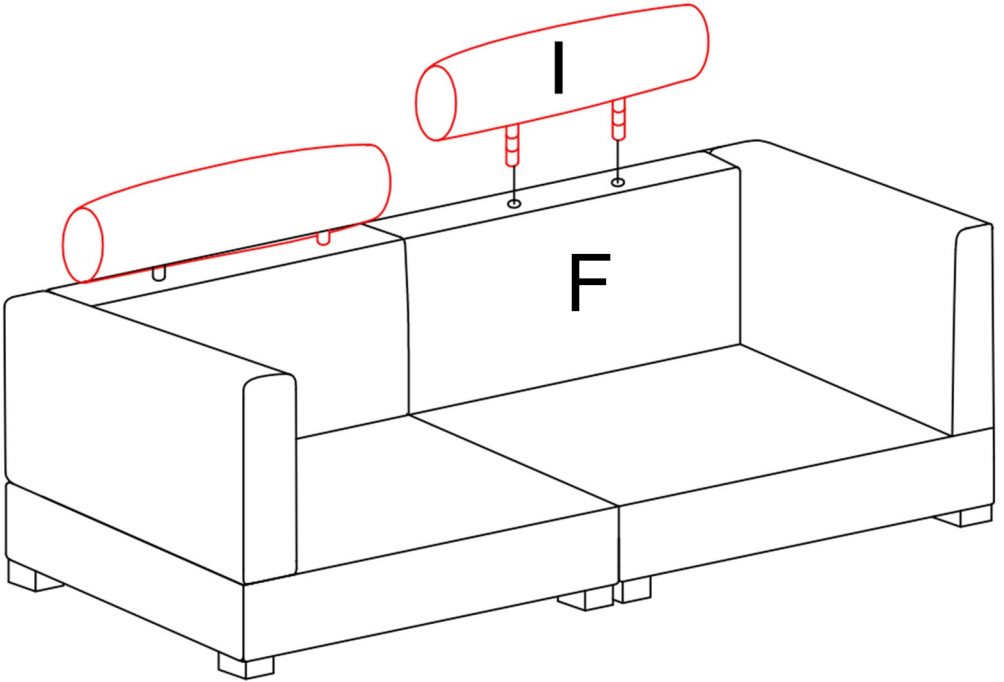
step 5

Install the armrest (D) to the previous part as shown, align the bolt holes on both seat frame (G) and armrest frame (D), place one flat washer on each bolt first, then use the allen wrench (K) to fully tighten the



step 6

Insert the bolt part of the headrest (I) into the backrest (F) as shown, make sure they are aligned. There are three levels of adjustment for the headrest.

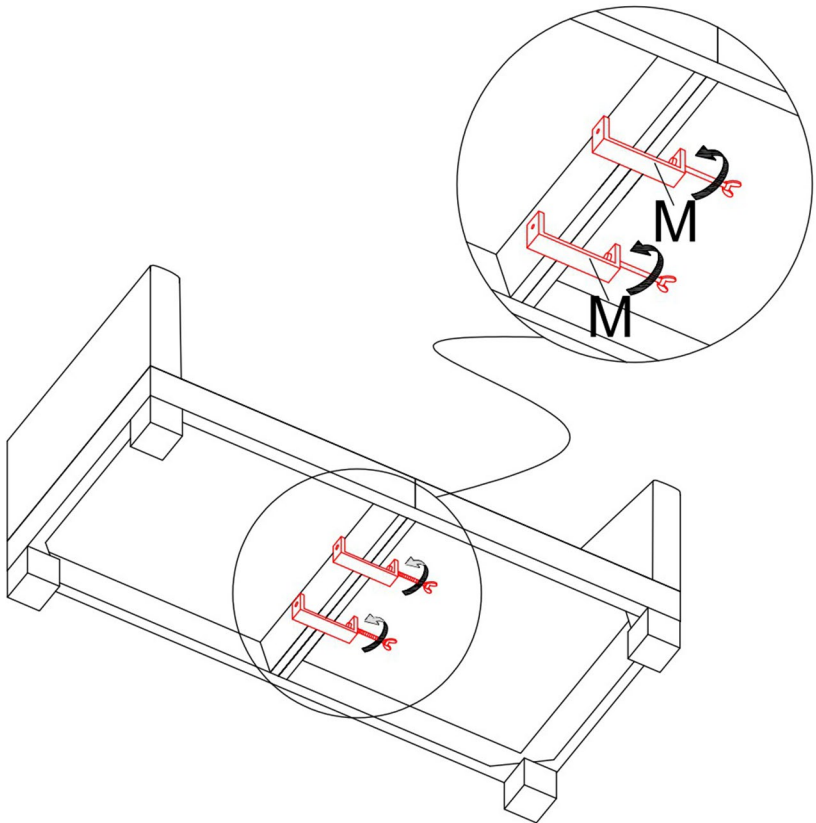


step 7

There is a metal buckle inside the carton as a free part. If you only purchased single part of the sofa, this buckle will not be useful.

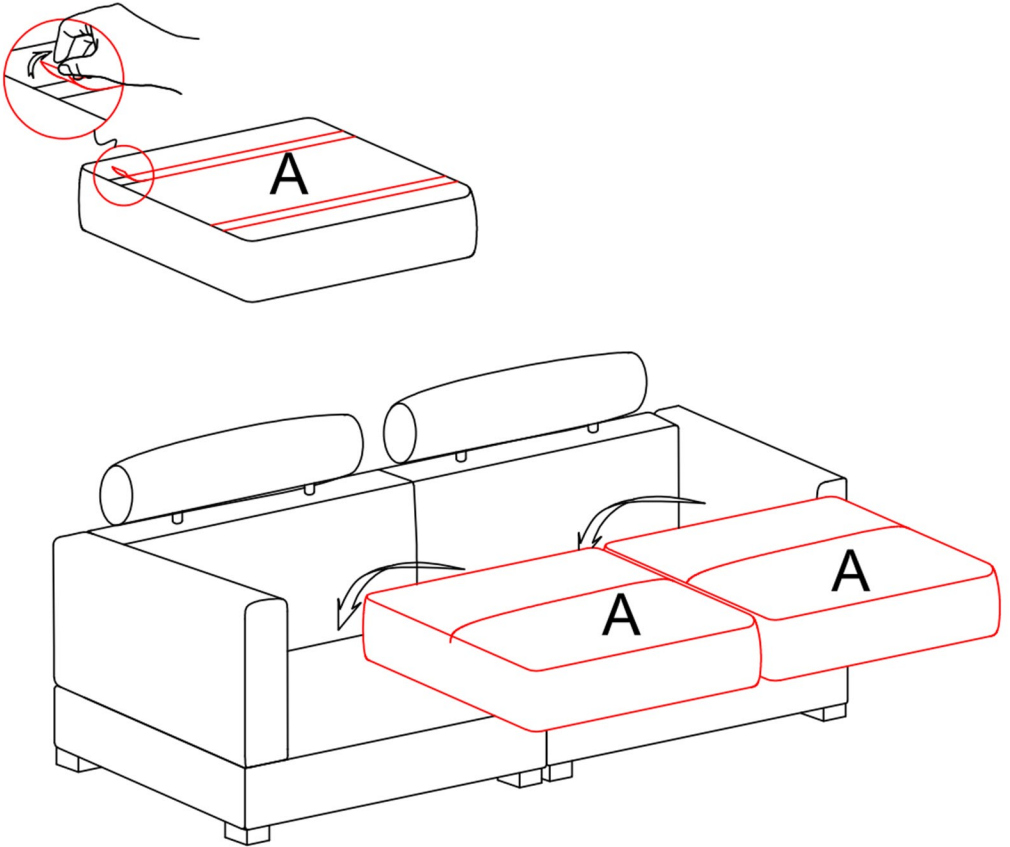
If you want to be combined with other sofa components (ottoman, chair, chaise etc), this buckle can be used.

Just use this buckle to fix two parts together from the bottom to prevent displacement while using the products.



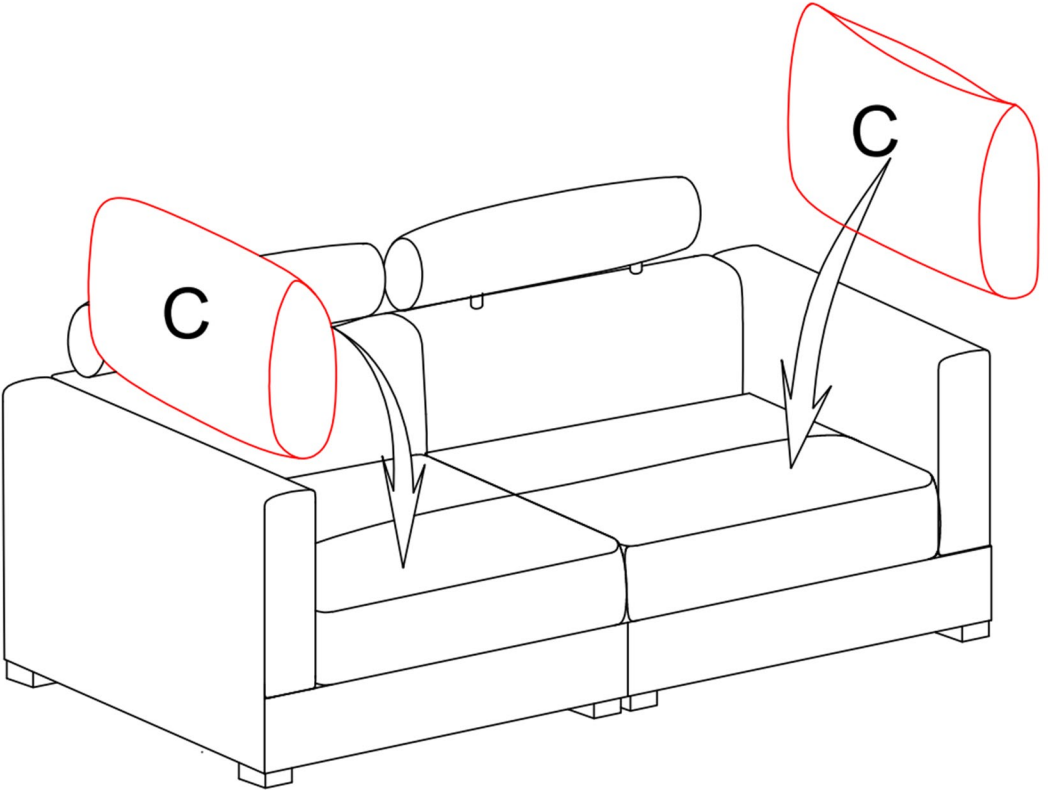
step 8

Tear off the Velcro tape covers on the bottom of the cushions (A), and place the cushions (A) onto the sofa as shown.



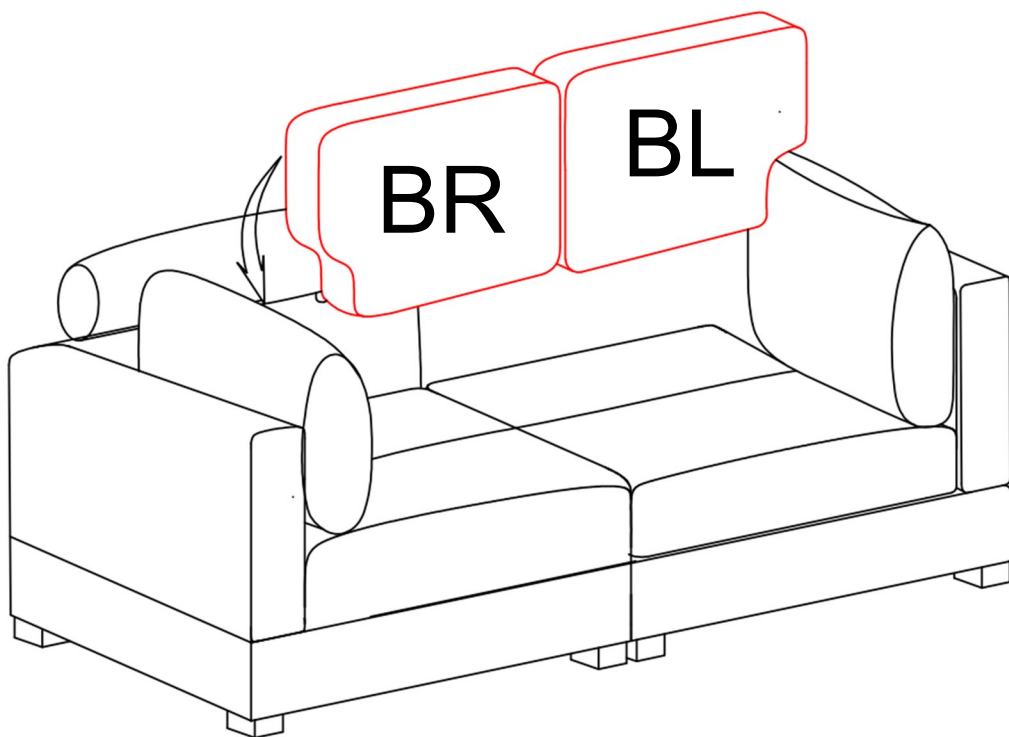
step 9

Put armrest cushions (C) on it as picture shows.

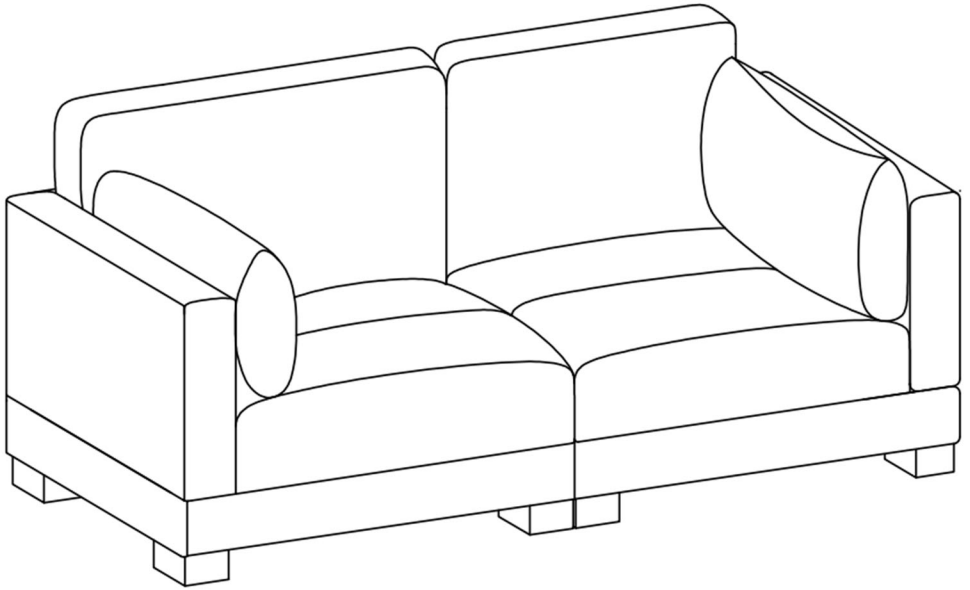


step 10

Put back cushions (B) on it as picture shows.



step 11



Assemble complete



ASSEMBLY INSTRUCTIONS

Tel.(562)-781-3327

Please contact us:info@firstopintl.com

<https://www.dreamsidea.com>