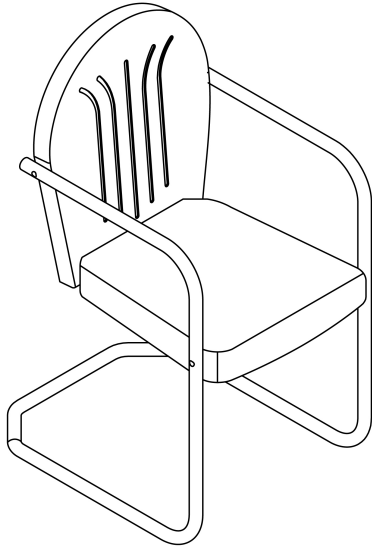
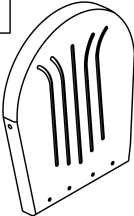
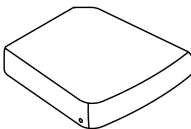
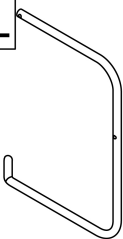
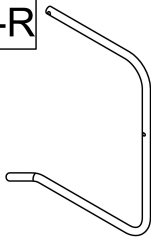
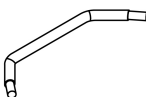







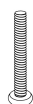


# Metal Chair



# PART LIST

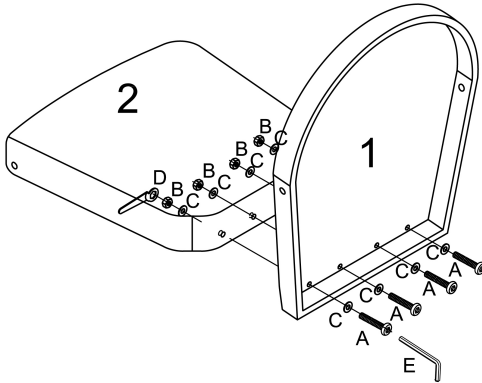
<p><b>1</b></p> 	<p><b>2</b></p> 	<p><b>3-L</b></p> 	<p><b>3-R</b></p> 	<p><b>4</b></p> 
<p>Chair Back 1 PC</p>	<p>Chair Seat 1 PC</p>	<p>Left Support Leg 1 PC</p>	<p>Right Support Leg 1 PC</p>	<p>Leg Connector 1 PC</p>






# HARDWARE

<p><b>A</b></p>  <p>M6X13mm</p>	<p><b>B</b></p> 	<p><b>C</b></p> 	<p><b>D</b></p> 	<p><b>E</b></p> 
<p>Short Bolt 4 PCS</p>	<p>Nut 8 PCS</p>	<p>Flat Washer 12 PCS</p>	<p>Wrench 1 PC</p>	<p>Allen Key 1 PC</p>
<p><b>F</b></p>  <p>M6X42mm</p>	<p><b>G</b></p> 	<p><b>H</b></p> 		
<p>Long Bolt 4 PCS</p>	<p>Plastic Washer 4 PCS</p>	<p>Round Plastic Washer 4 PCS</p>		

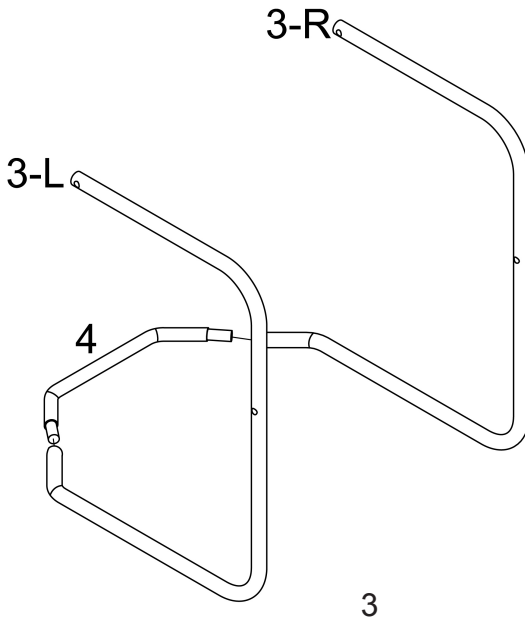
**IMPORTANT NOTE: WE RECOMMEND TWO PEOPLE WORK TOGETHER TO ASSEMBLE THE CHAIR**

**Step 1** Attach chair seat (part #2) to chair back (part #1) using short bolts (part A), flat washers (part C), nuts (part B), wrench (part D) and allen key (part E) as shown .PLEASE DO NOT FULLY TIGHTEN BOLTS AT THIS TIME.



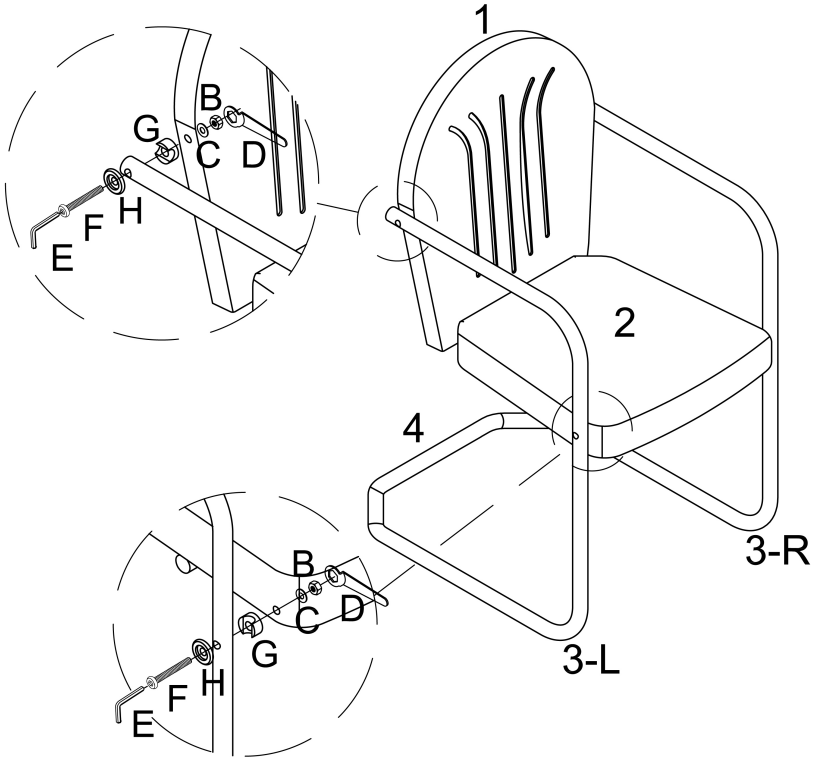
- |   |  |     |
|---|--|-----|
| A |   | X 4 |
| B |   | X 4 |
| C |   | X 8 |
| D |  | X 1 |
| E |   | X 1 |

**Step 2** Attach left support leg (part #3-L) and right support leg (part #3-R) to leg connector (part #4).



### Step 3

Attach support legs (parts #3-L & 3-R) to chair back (part #1) and chair seat (part #2) using long bolts (part F), plastic washers (part G), round plastic washers (part H), flat washers (part C), nuts (part B), wrench (part D) and allen key (part E) as shown. Please fully tighten all bolts at this time by holding the nuts (part B) in place with wrench (part D), and tightening bolts (parts A & F) with allen key (part E).



F		X 4
B		X 4
C		X 4
G		X 4
H		X 4
D		X 1
E		X 1