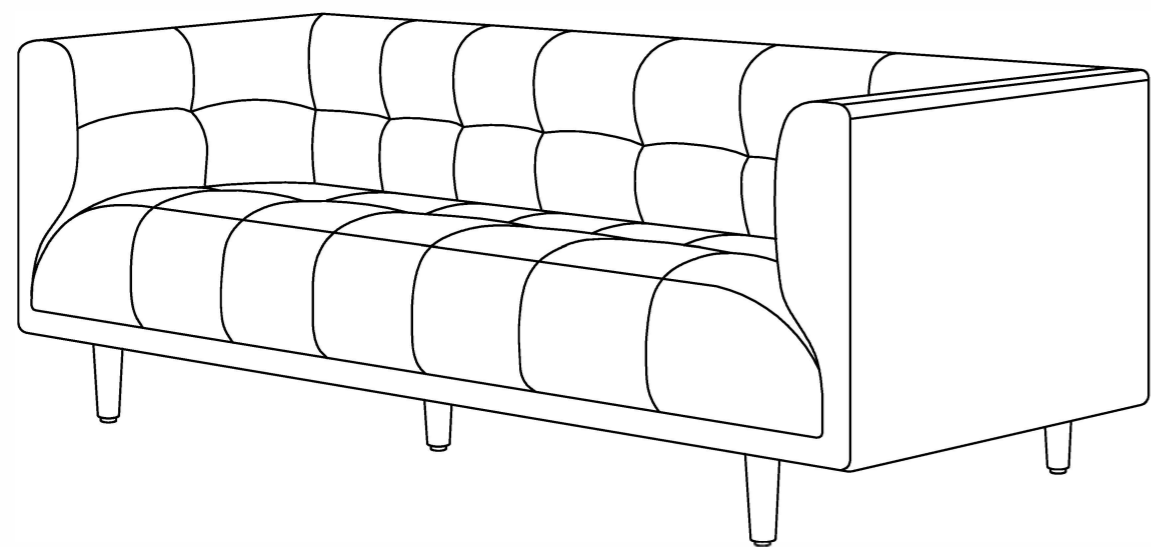
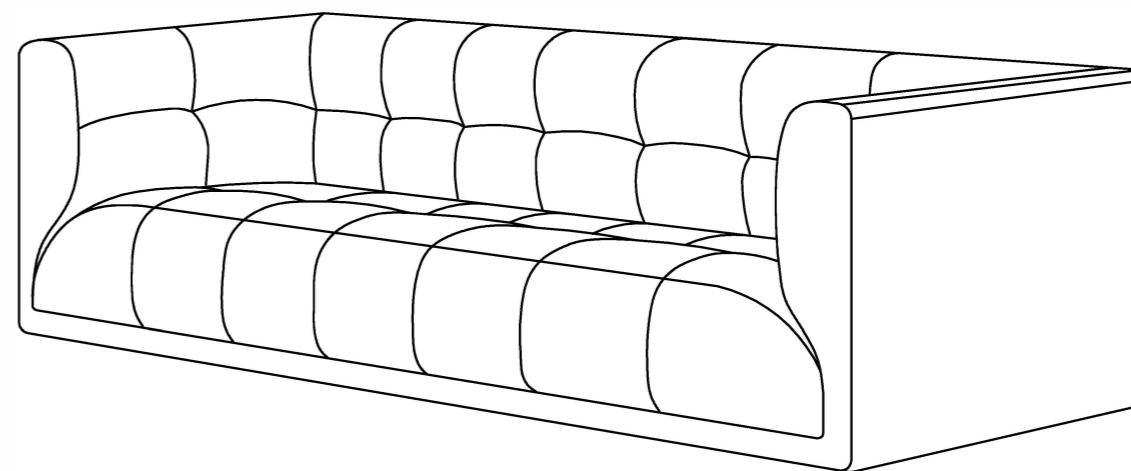


BENCH

PARTS

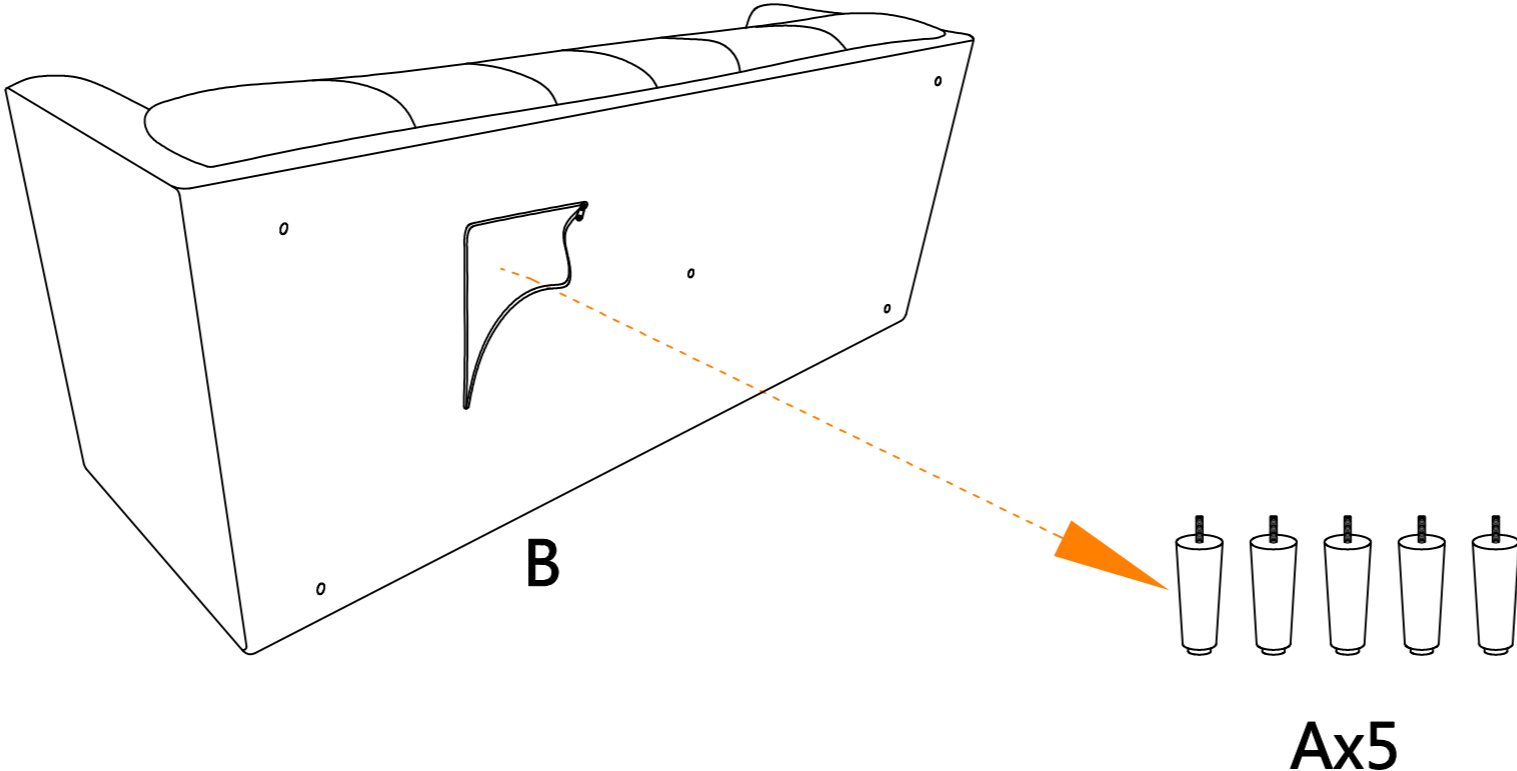


Ax5



Bx1

STEP1



STEP2

