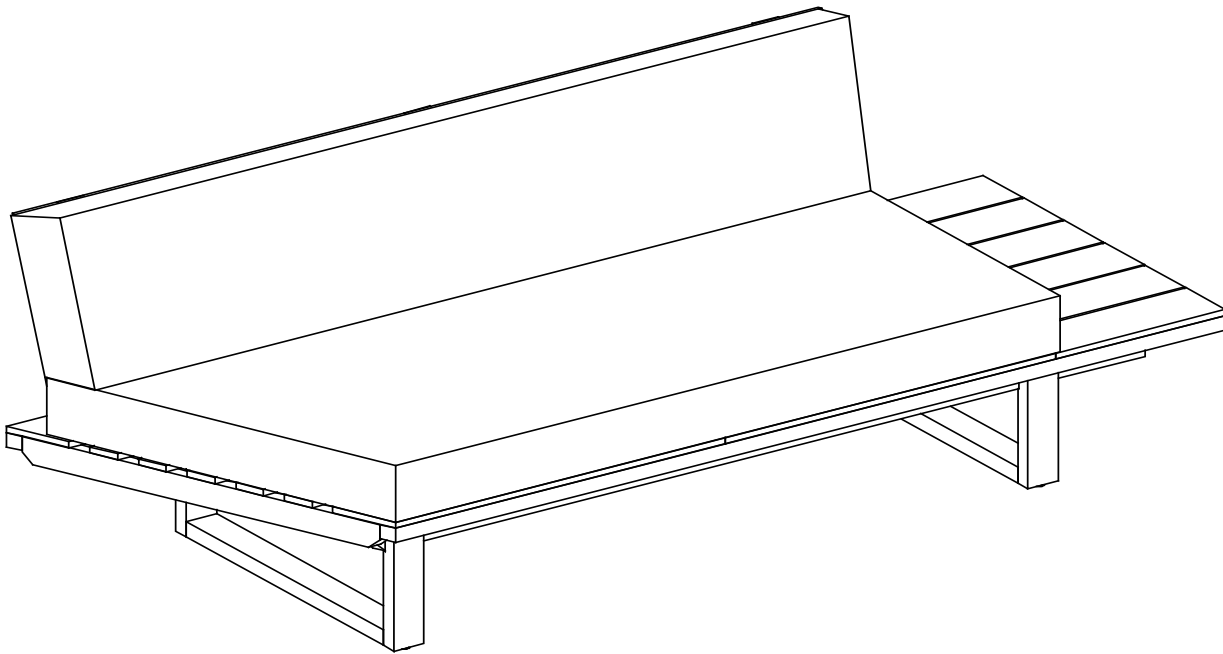


Assembly Instructions

Caution: You must read this before you proceed

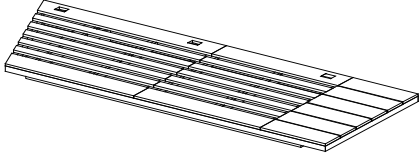
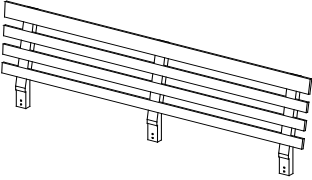
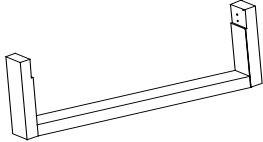
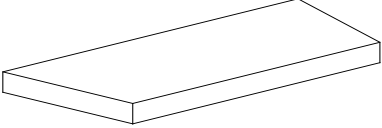
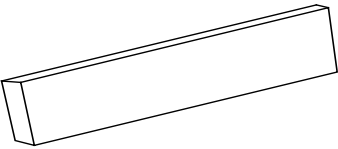
Please look in the Seat Panel for hardware packs.

LOVESEAT - RIGHT

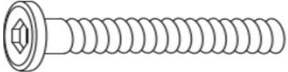
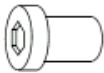




CAUTION: This Loveseat is NOT a TOY.
Keep your child / children at bay during the assembly process.
Whenever lifting or moving the Loveseat and to prevent damage to the Loveseat, two adults may be needed to execute these actions.

Part List

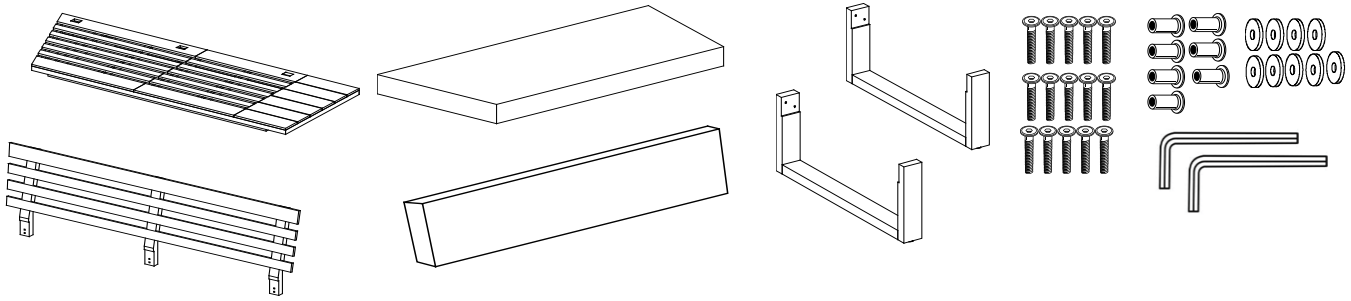
Label	Picture	Description	QTY
A		Seat Panel	1
B		Backrest Panel	1
C		Leg Panel	2
D		Seat Cushion	1
E		Back Cushion	1

Hardware

Label	Picture	Description	QTY
①		Bolt (M6x40mm)	15
②		Sleeve Nut (M6x15mm)	7
③		Washer (M6.5/20x2mm)	9
④		Allen Key	2

Assembly Preparation

Before Beginning Assembly:



- Read instructions, cover to cover-



- Have 2 adults on hand for assembly-



- Do not assemble on flooring or carpet-



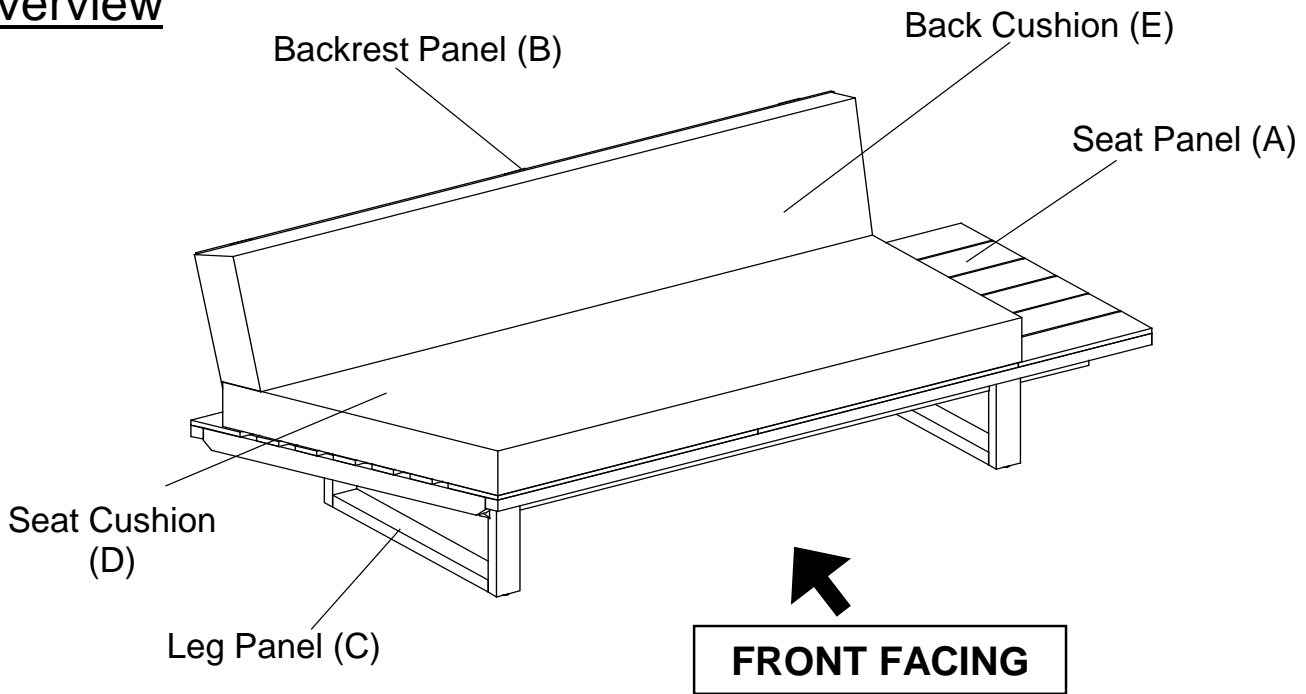
- Assemble on a clean non-marring surface (packing foam)-



- Save all packaging until finished-

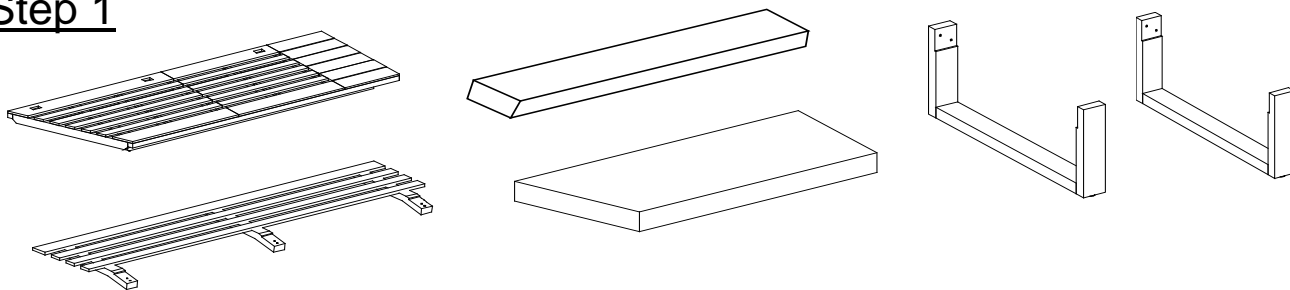
Assembly Steps

Overview



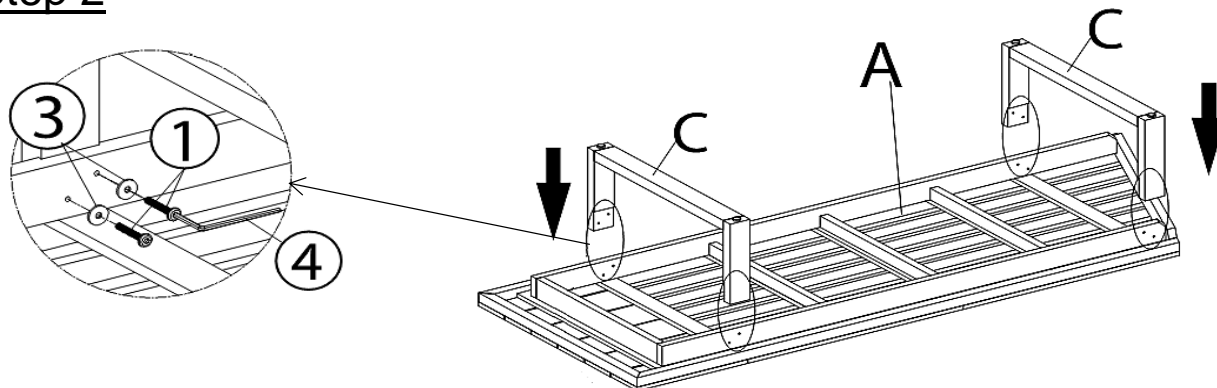
This Loveseat has multiple parts and may require up to 30 minutes to assemble. To give you an overview of the Loveseat parts, the above picture is to help you put the various parts into perspective. Please read through the instructions below to familiarise yourself with the parts and steps before assembly.

Step 1



Unpack and place all parts on a clean, non-marring surface.

Step 2

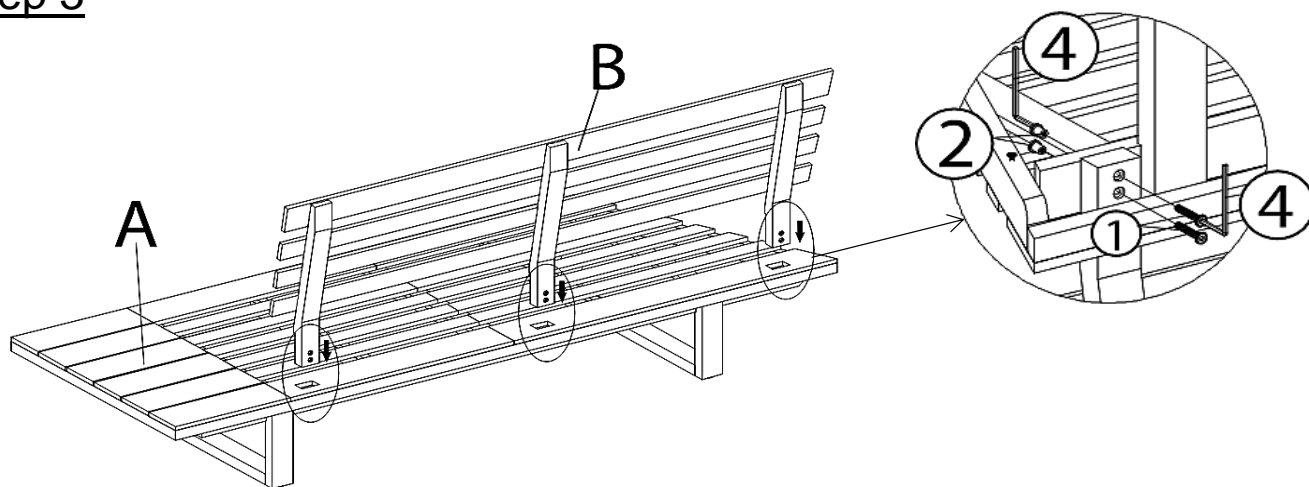


Place Seat Panel(A) facedown on a clean, non-marring surface.

Attach Leg Frame(C) to Seat Panel(A) using Bolts(①), Washers(③) with Allen Key(④).

Do not fully tighten the Bolts.

Step 3

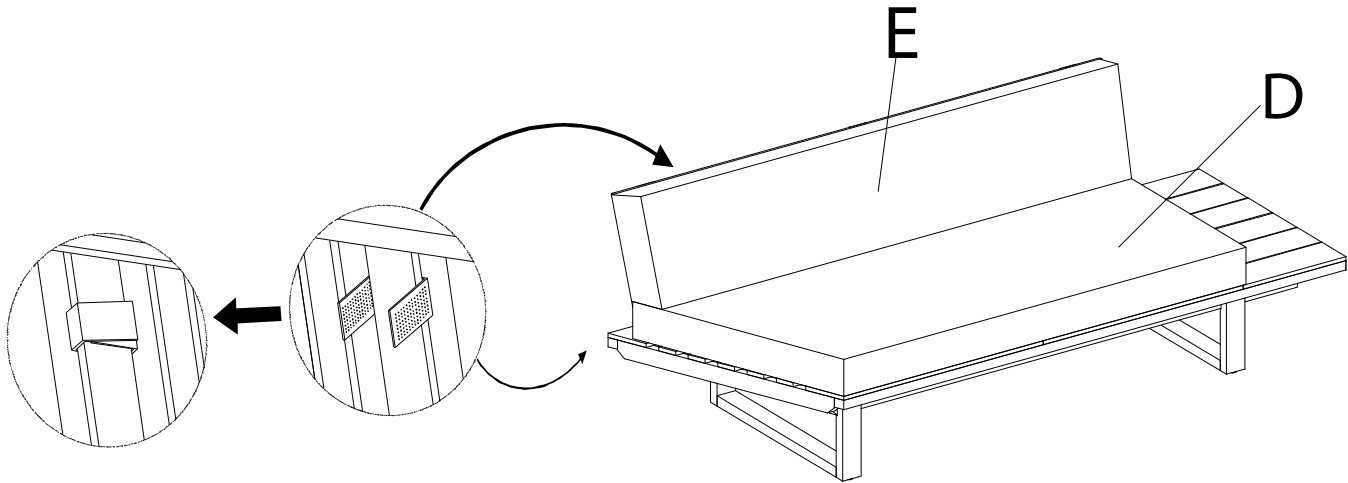


With assistance from your adult partners, Turn up the Pre-assembled in step 2

Align Seat Panel(A) to Backrest Panel(B) as shown above. Then Attach Backrest Panel(B) to Seat Panel(A) using Bolts(①), Sleeve Nut(②), Washers(③) with Allen Key(④).

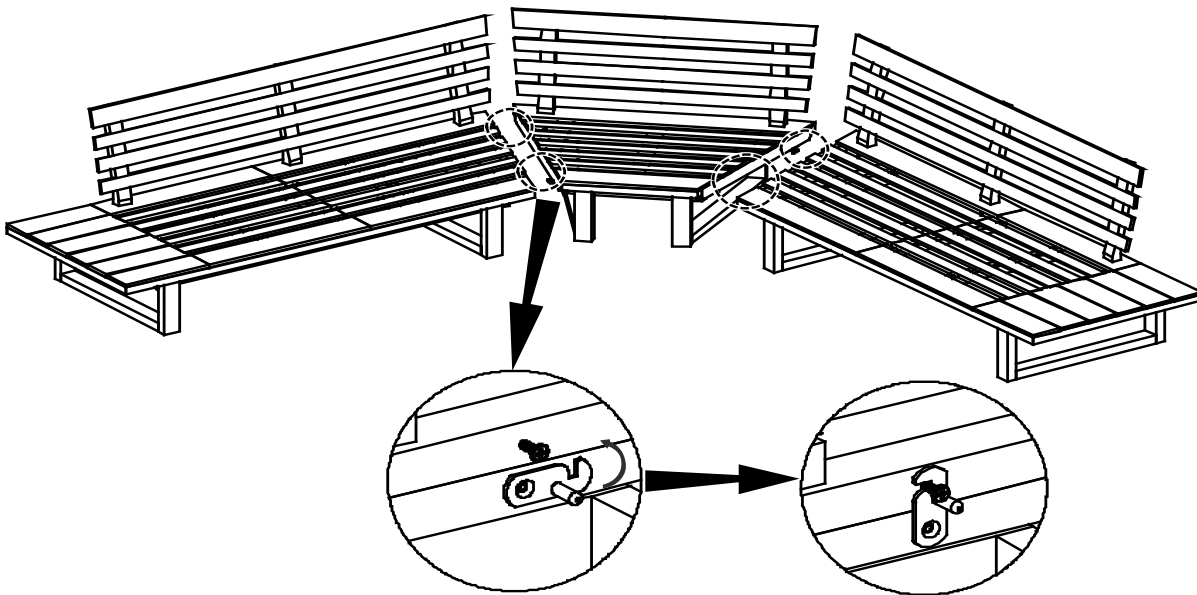
Do not fully tighten the Bolts.

Step 4



Inspect the Loveseat and make sure all parts are adequately connected.
Carefully sit onto the Loveseat. This pressure will help align all parts at all joints.
In a sequential manner, tighten all Bolts at all joints.
Place Seat Cushion(D), Back Cushion(E) onto the Loveseat. Then affix the velcro straps around the Loveseat as shown above.
The Loveseat is ready to be used.
This Loveseat can only be used on a flat, level surface.










Step 5



With assistance from your adult partners, place the Loveseats facedown and connect the pre-attached clips to connect the Loveseats together.

Note: This is an optional step in case you want to connect all the Loveseats in the set together and should be performed before affixing the cushions.

Care & Maintenance

-  ● Do not put hot items directly on furniture surface
 -  ● Do not clean furniture with harsh cleansers or polish.
 -  ● To obtain the longest lifespan of your outdoor products, minimizing exposure to direct sunlight is recommended.
 -  ● Children should not climb or jump on the furniture.
 -  ● Do not write on furniture without a padded barrier to protect the surface.
 -  ● To obtain the longest lifespan of your outdoor products, avoid extended and lengthy exposure to rain, snow, and direct sunshine. Whenever possible cover the product and /or place under patio or awnings.
 -  ● Not for commercial use. For residential use only .
 -  ● Stains may be removed with mild soap solution and damp cloth.
-
-  ● Dust and pick-up spills using a clean, non-colored, lint-free cloth .