

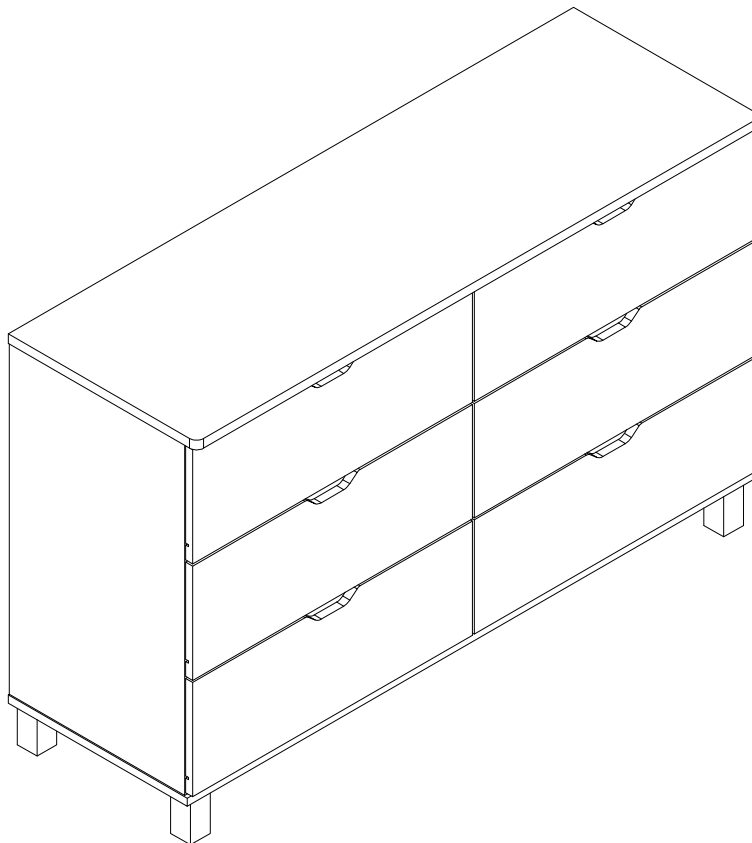
ASSEMBLY INSTRUCTION

PLEASE READ BEFORE ASSEMBLING!

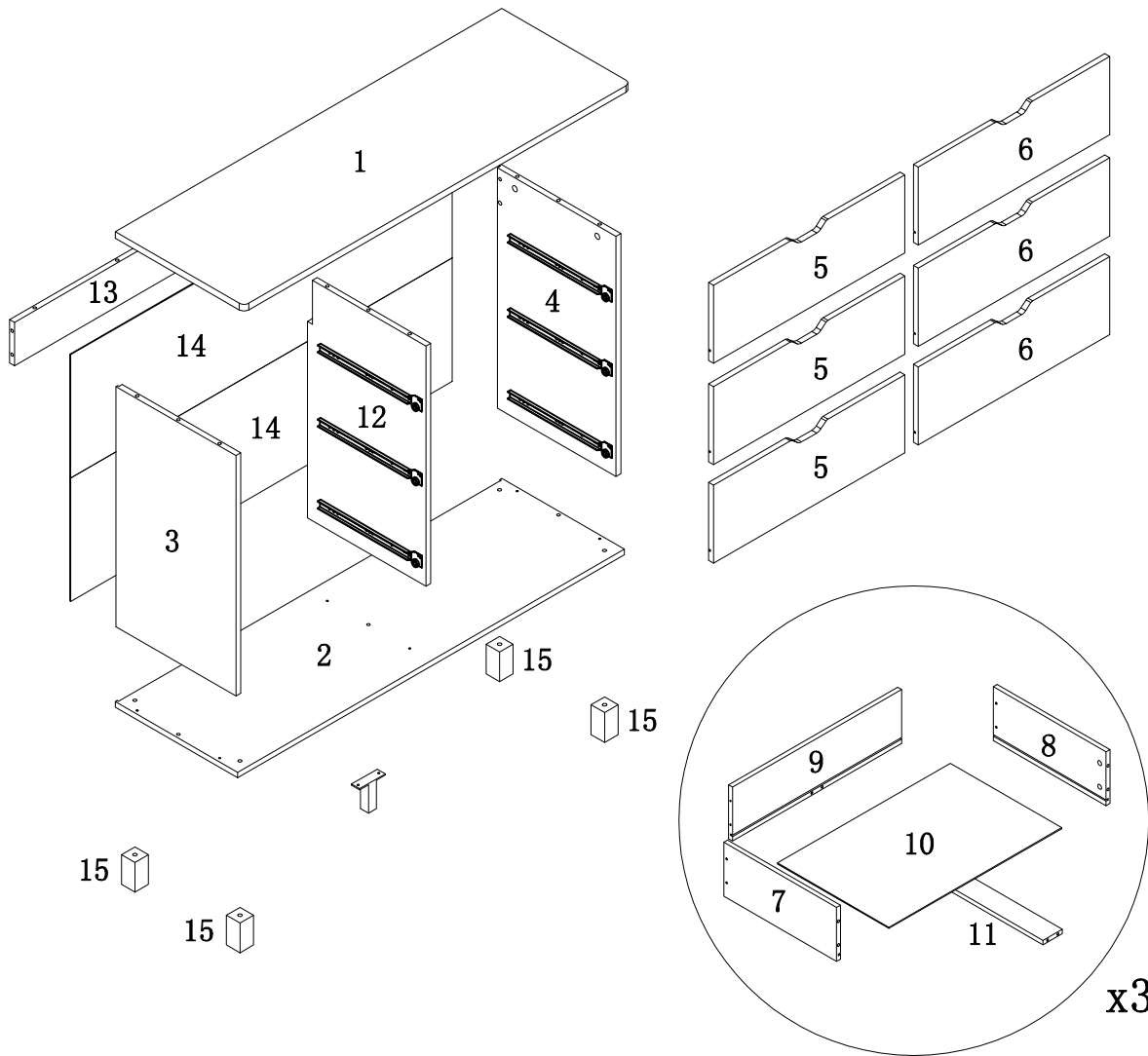
Tip #1: Make sure you've taken all the pieces and hardware out of its packaging before discarding the box. Assembly on top of flattened box/blanket is recommended.

Tip #2: Using page 2 and/or page 3 of instruction manual make sure all pieces and hardware are accounted for.

Tip #3: Note position of all holes on each panel during assembly.



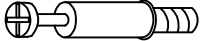



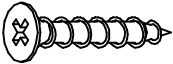






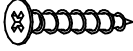
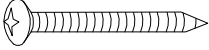
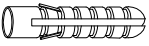
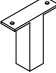



PARTS IDENTIFICATION



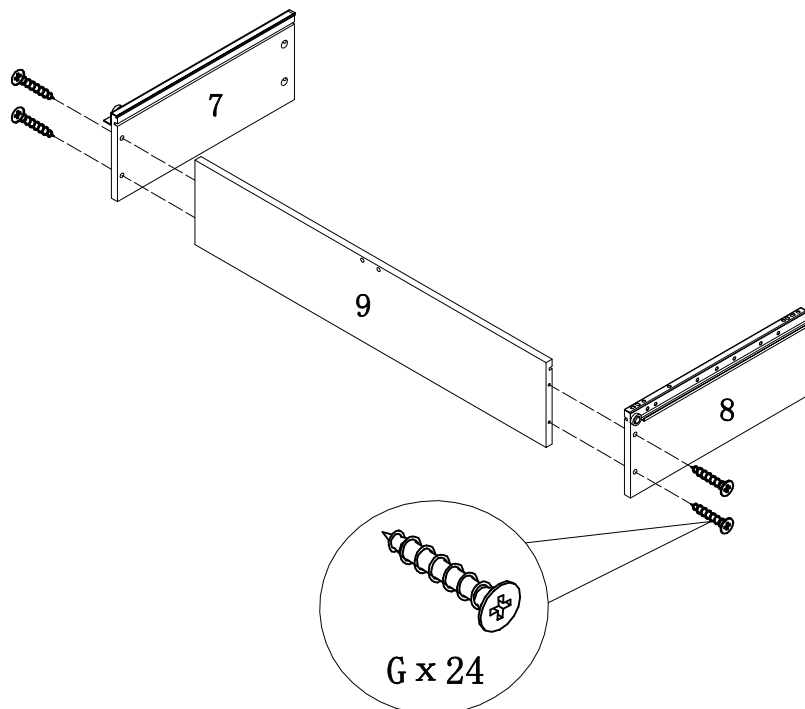
(1)	1pc	(9)	6pcs
(2)	1pc	(10)	6pcs
(3)	1pc	(11)	6pcs
(4)	1pc	(12)	1pc
(5)	3pcs	(13)	1pc
(6)	3pcs	(14)	2pcs
(7)	6pcs	(15)	4pcs
(8)	6pcs		

HARDWARE IDENTIFICATION

A		L29	10pcs
B		∅15	10pcs
C		L20	24pcs
D		∅12	24pcs
E		∅8 × 25	11pcs
F		∅6 × 30	12pcs
G		∅4 x 30	44pcs
H		∅4 x 16	2pcs
I		M8 x 35	4pcs
J		M5	1pc
K		Z1016	35pcs
L		∅16	4pcs
M			1pc
N		∅4 x 25	1pc
O		∅5 x 40	1pc
P		∅8 x 40	1pc
Q		80 x 25 x 82	1pc
R		Glue: For securing please apply to wood dowel first before inserting into panel	1pc

ASSEMBLY INSTRUCTION

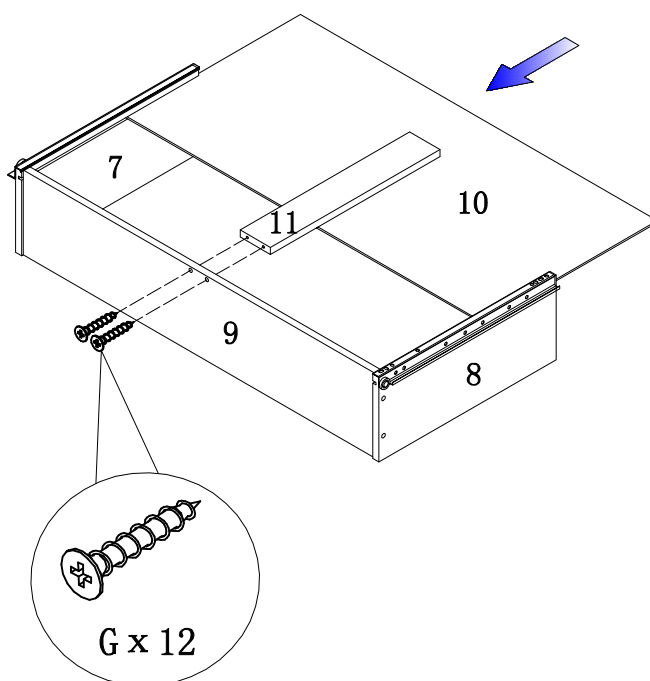
x6



STEP 1

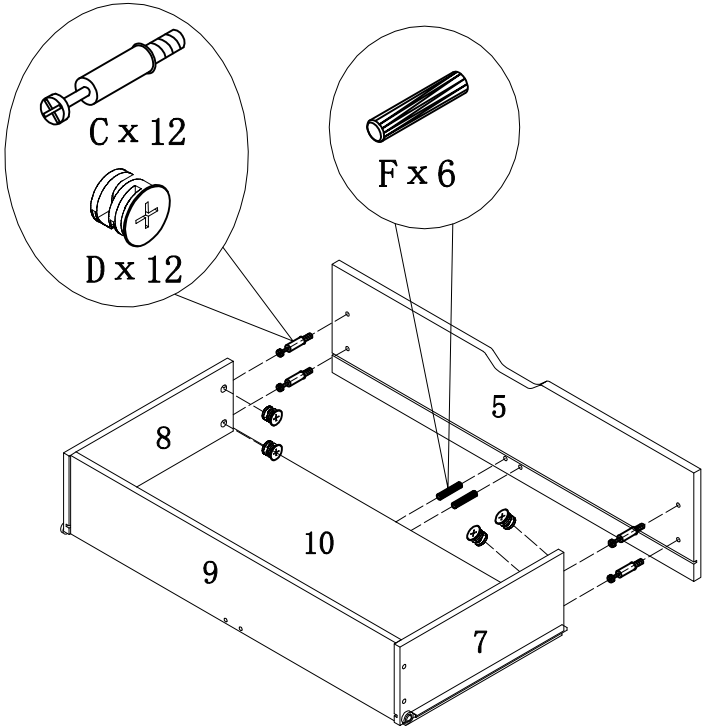
STEP 2

x6



ASSEMBLY INSTRUCTION

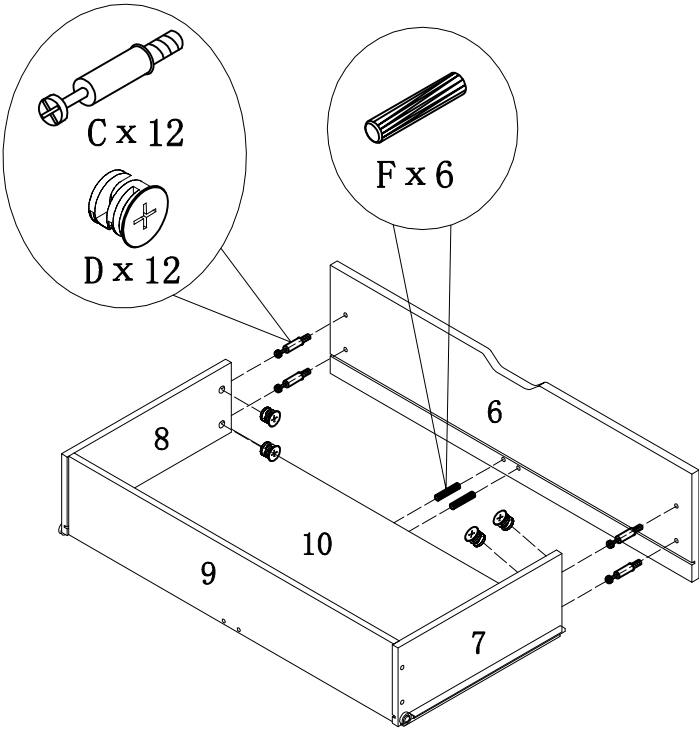
x3



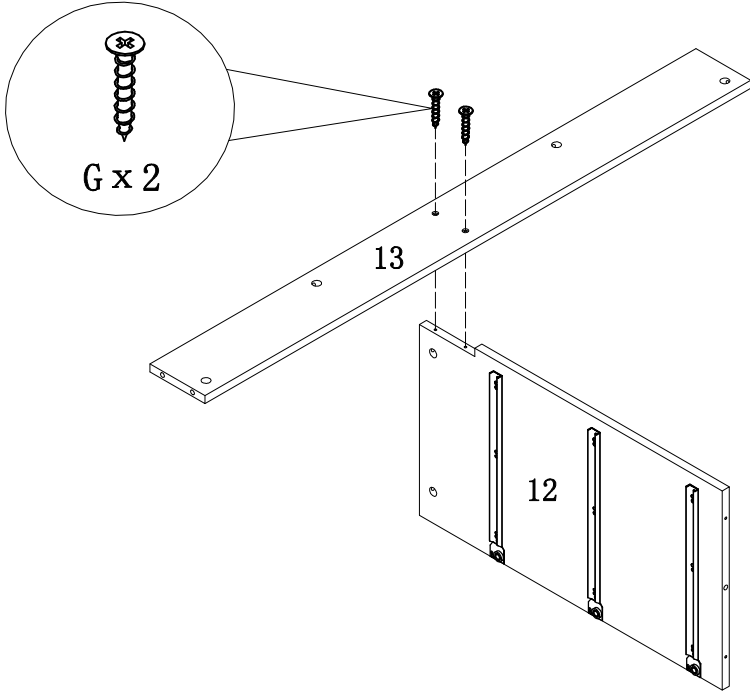
STEP3

STEP4

x3

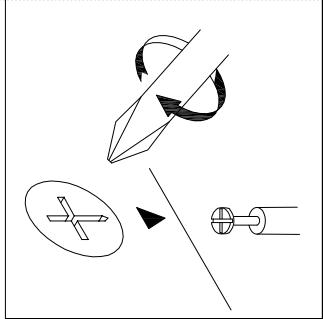
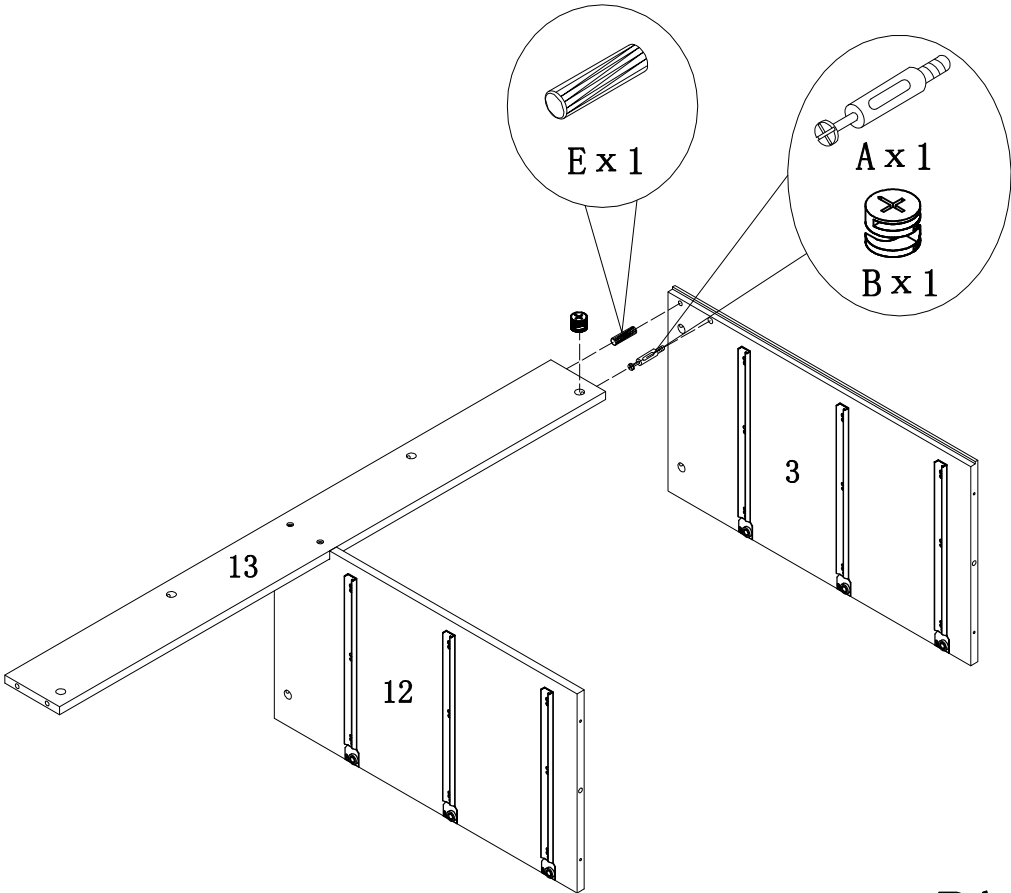


ASSEMBLY INSTRUCTION

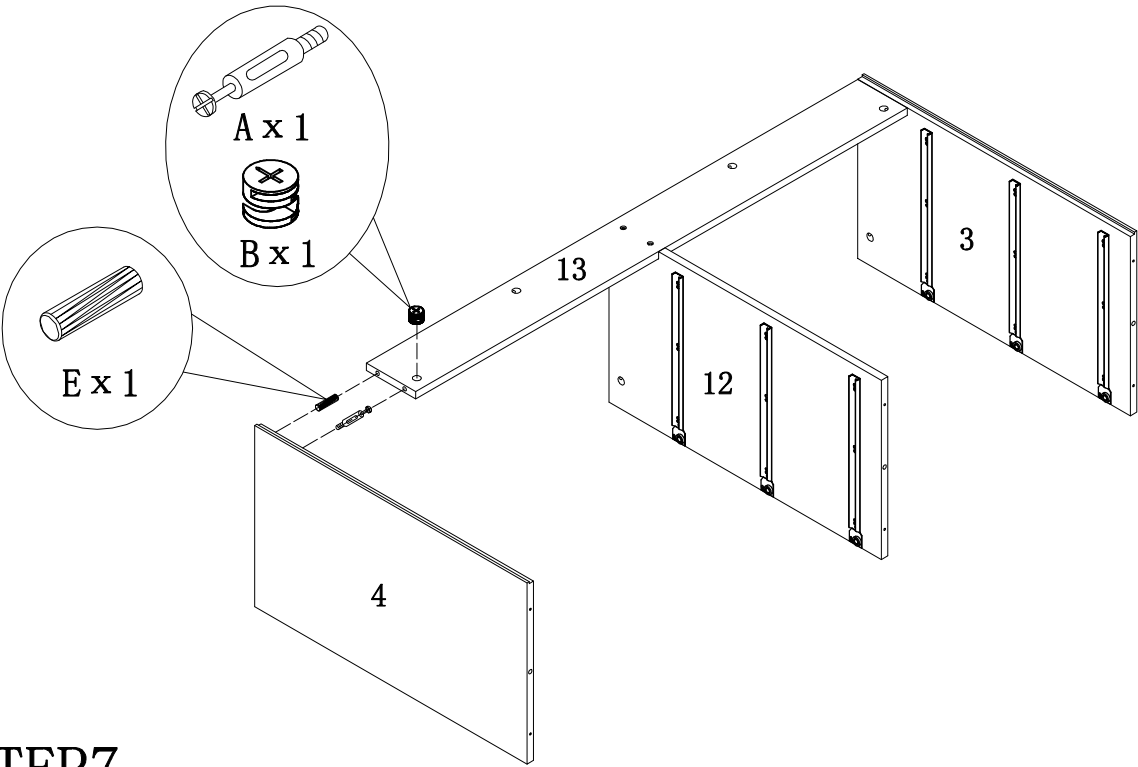


STEP5

STEP6

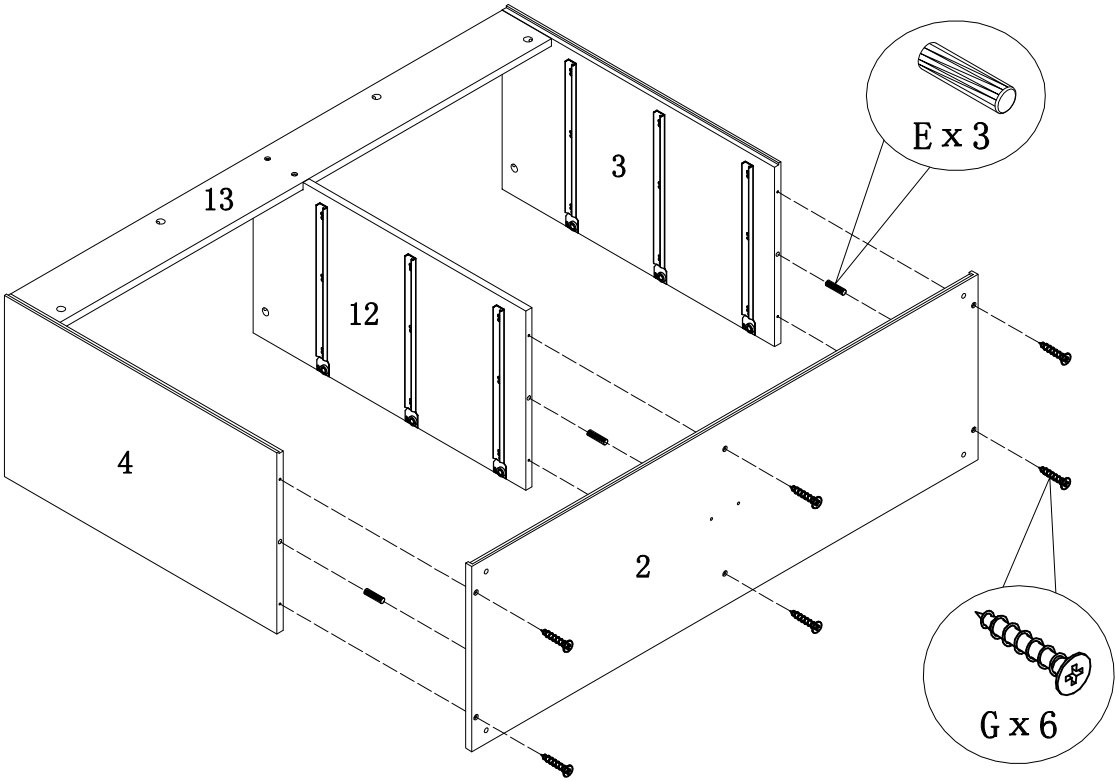


ASSEMBLY INSTRUCTION

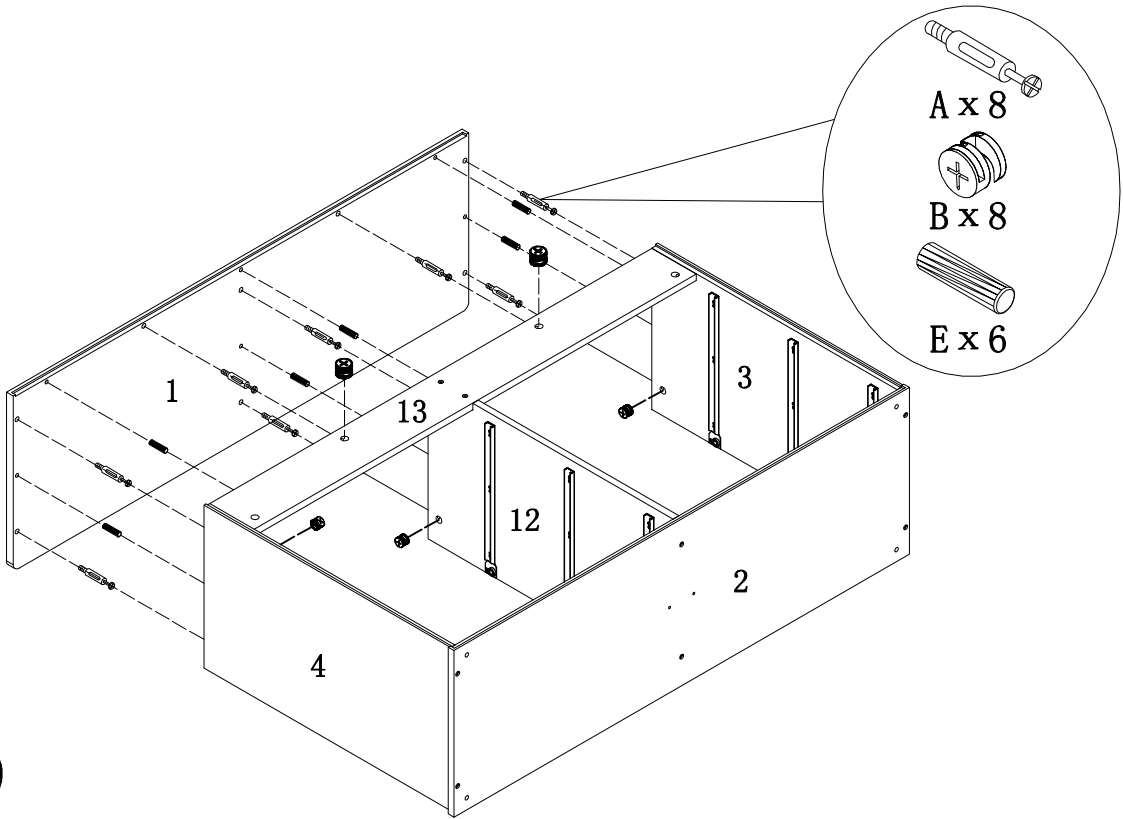


STEP 7

STEP 8

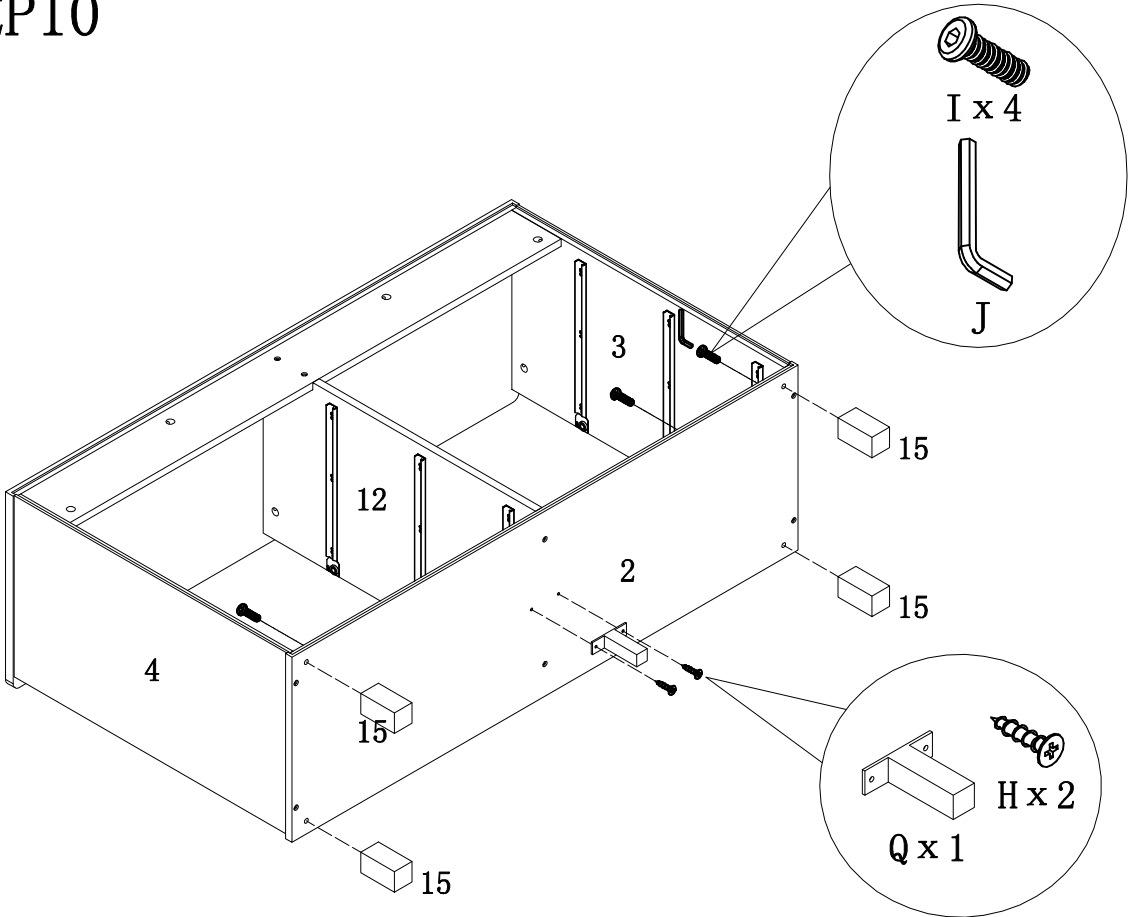


ASSEMBLY INSTRUCTION

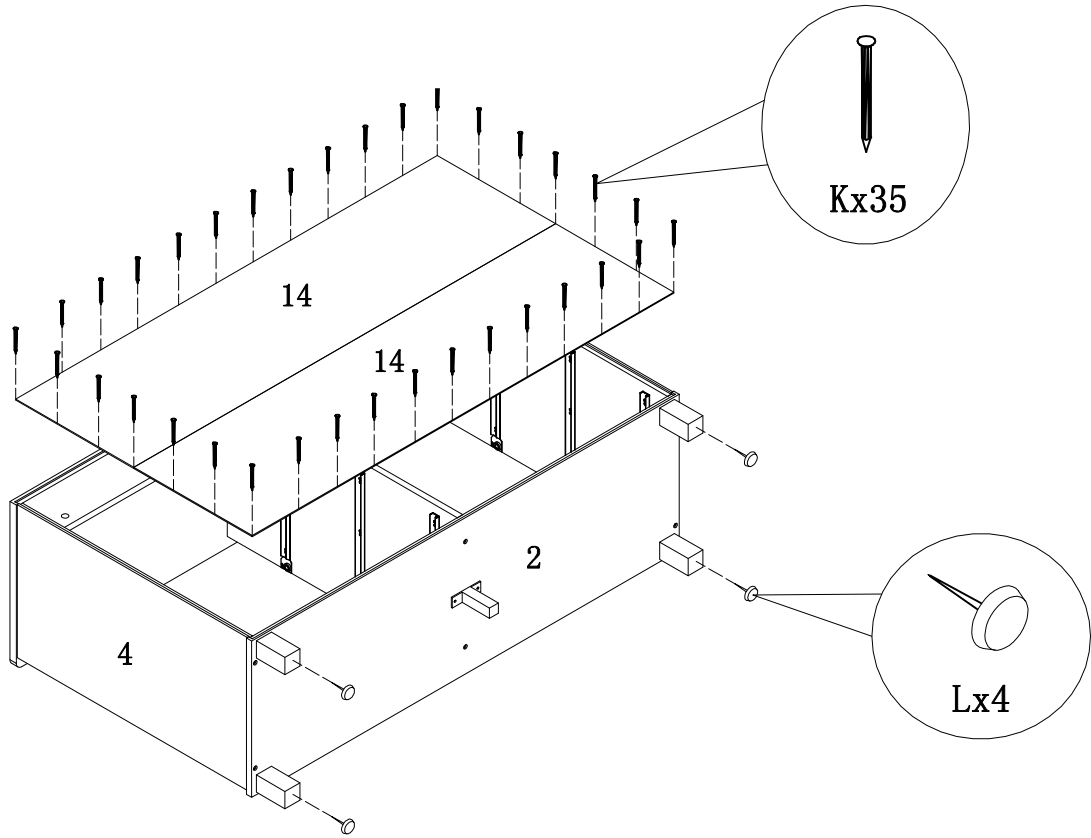


STEP9

STEP10



ASSEMBLY INSTRUCTION



STEP 11

STEP 12

