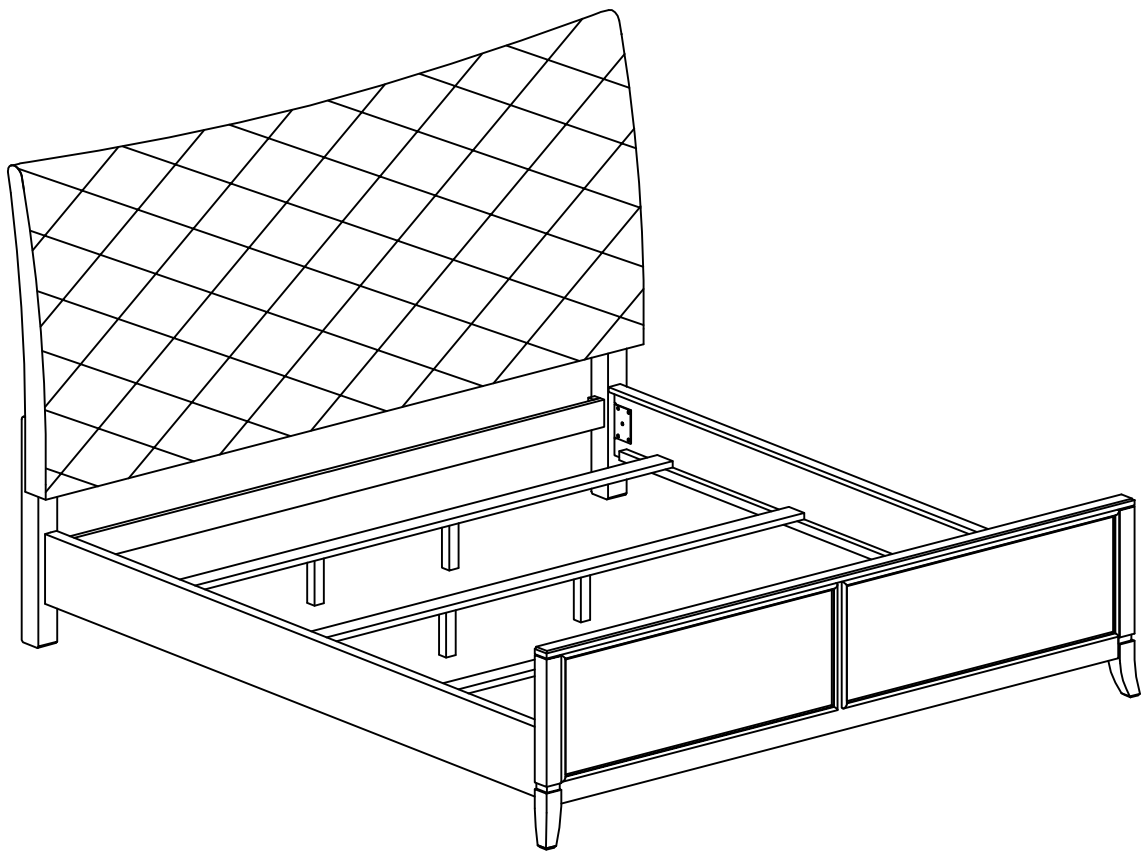


Assembly Instructions



ASSEMBLY RATING

The Assembly Rating is a 5-point system that shows the degree of effort needed in assembling a specific product (with 1 being easy and 5 being difficult). For some products, two persons are recommended.

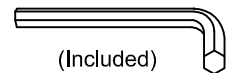
EASY



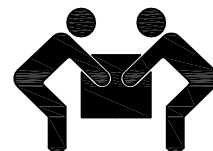
DIFFICULT

Tools Required For Assembly:

Allen Wrench



(Included)



2 PERSONS RECOMMENDED

ASSEMBLY & CARE ADVICE

FOR YOUR FURNITURE TO LAST, CORRECT ASSEMBLY AND PROPER MAINTENANCE ARE NECESSARY. PLEASE FOLLOW THE INFORMATION PROVIDED BELOW TO FULLY ENJOY YOUR FURNITURE.

BASIC ASSEMBLY TECHNIQUES



When lock or spring washer is used in an assembly, please make sure the lock or spring washer is placed between the larger flat washer and the head of the screw or bolt.



Position each part correctly and insert screws or bolts into their respective holes by hand tighten or using the proper hand tool. Only tighten when step is completed or when instructed to do so.



Use cardboard or carpet area when assembling furniture to prevent scratches. Make sure the furniture rests on a flat and level surface with each leg evenly touching the floor.



Some furniture comes with height adjustment knobs underneath each leg. To lower or to raise each leg, you need to turn clockwise or counterclockwise, respectively.

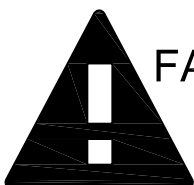


Make sure all parts are properly aligned, then use the appropriate hand tool to completely tighten the bolts or screws. Do not use power tools and do not overtighten.



Save the instructions and store the Allen wrench or any supplied tool for later maintenance. After two weeks, check and tighten any loose hardware and repeat again every six months thereafter.

IT IS THE USER'S RESPONSIBILITY TO MAINTAIN THE FURNITURE. THE HARDWARE MAY LOOSEN OVER TIME AND MAY CAUSE THE FURNITURE TO BE WOBBLY AND UNABLE TO SUPPORT ITS INTENDED WEIGHT CAPACITY. THIS MAY LEAD TO COLLAPSE AND MAY CAUSE SERIOUS INJURY.



FAILURE TO FOLLOW THE GUIDELINES ABOVE MAY RESULT IN INJURY AND/OR PROPERTY DAMAGE.

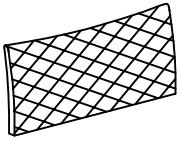


Before you begin, please read Page 2 of "Assembly and Care Advice".

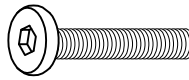
And remember, do not tighten until each step is completed or instructed.

Parts List

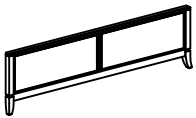
Hardware List



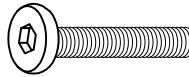
#1 x 1pc
Headboard



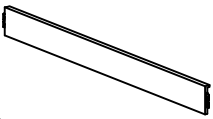
#A x 6pcs
Bolt $\text{\O}5/16$ x 3"



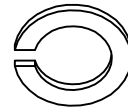
#2 x 1pc
Footboard



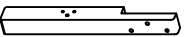
#B x 2pcs
Bolt $\text{\O}5/16$ x 1-3/4"



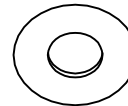
#3 x 2pcs
Rail



#C x 8pcs
Lock Washer $\text{\O}5/16$ "



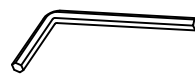
#4 x 2pcs
Leg Headboard (L/R)



#D x 8pcs
Flat Washer $\text{\O}5/16$ "



#5 x 1pc
Stretcher



#E x 1pc
Allen Key M4



#6 x 4pcs
Slat



#F x 8pcs
Wood screws #8 x 1-3/16"



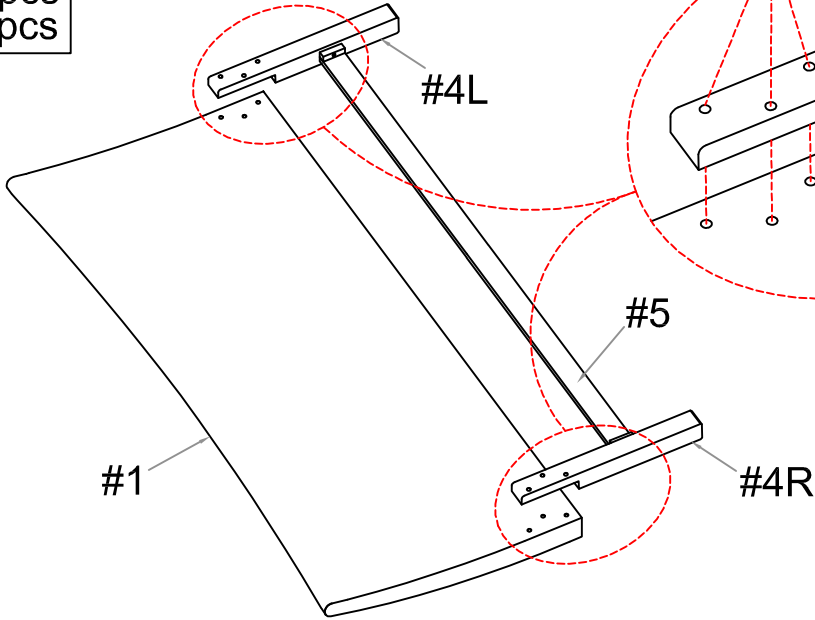
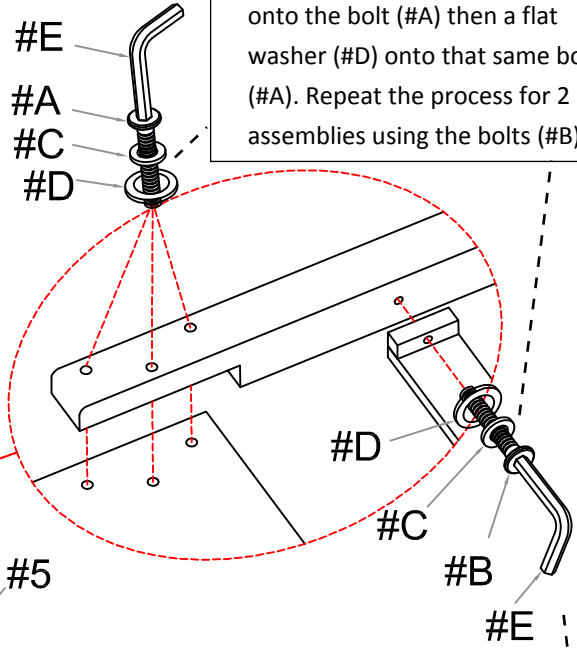
#7 x 8pcs
Support Leg



2. Align the legs (#4) to the holes located along the back of the headboard (#1), then insert 3 bolt assemblies (#A) into each leg. Secure using the Allen wrench (#E).

- #A x 6 pcs
- #B x 2 pcs
- #C x 8 pcs
- #D x 8 pcs

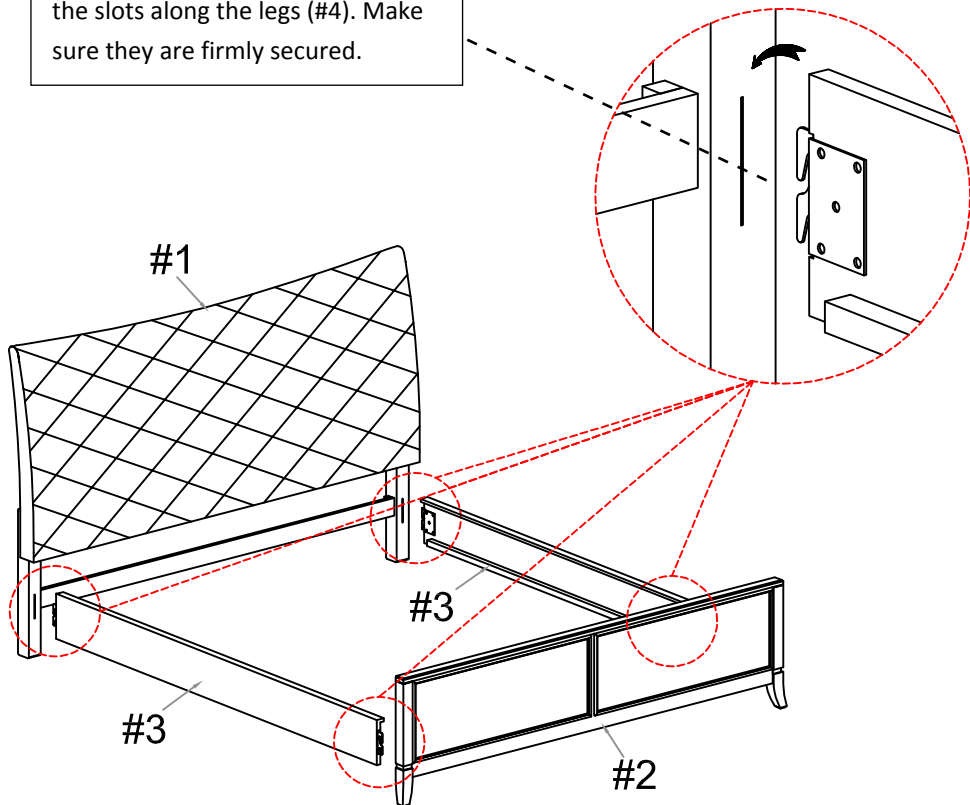
1. Prepare 6 bolt assemblies by first inserting a lock washer (#C) onto the bolt (#A) then a flat washer (#D) onto that same bolt (#A). Repeat the process for 2 bolt assemblies using the bolts (#B).

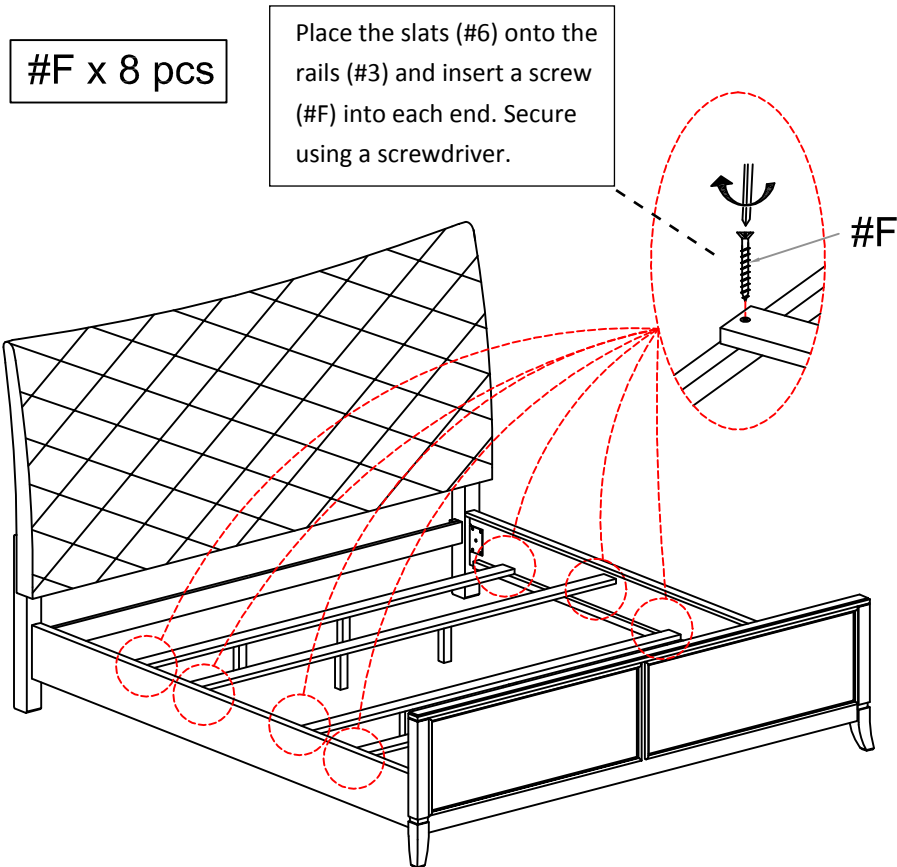
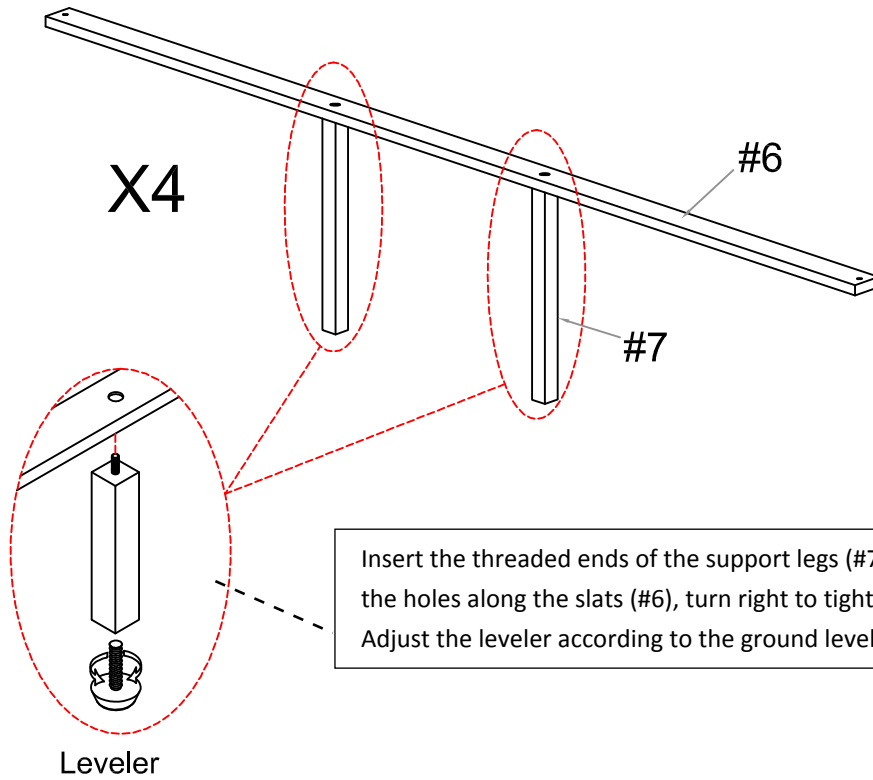


3. Align each end of the stretcher (#5) to the holes along the sides of the legs (#4). Insert a bolt assembly (#B) into each end of the stretcher and secure using the Allen wrench (#E).



Hook each end of the rails (#3) onto the slots along the legs (#4). Make sure they are firmly secured.





ASSEMBLY IS COMPLETED