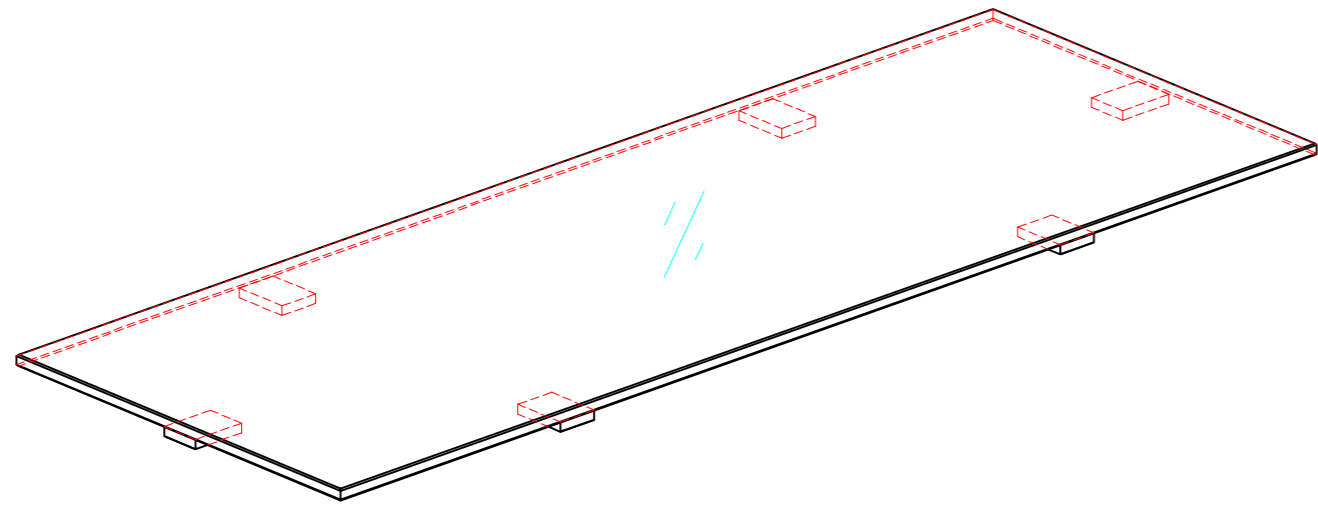


GLASS SIDEBOARD

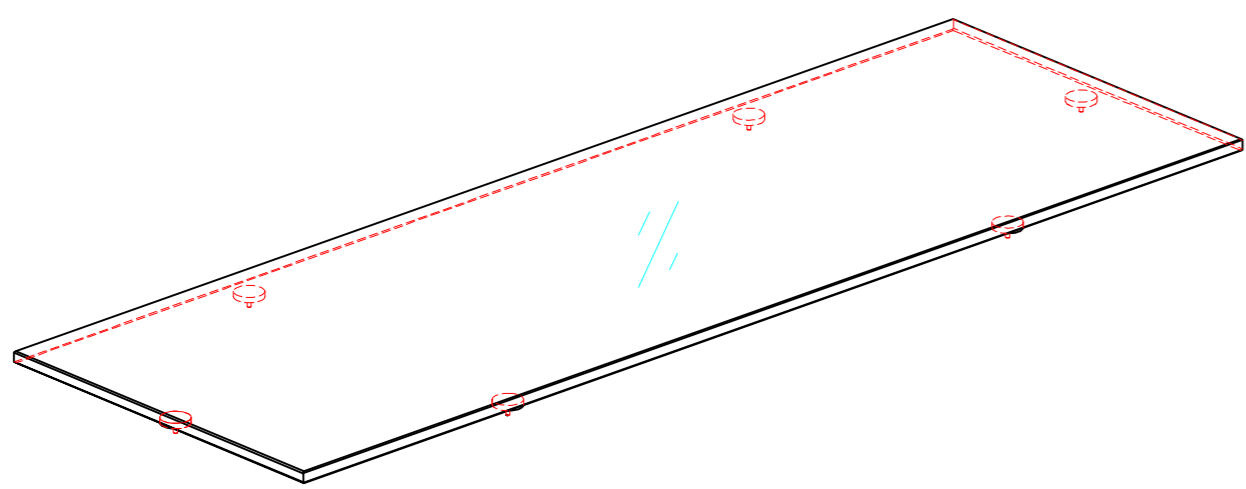
ASSEMBLY INSTRUCTIONS

BOX # 1

A. GLASS TOP 1 PC

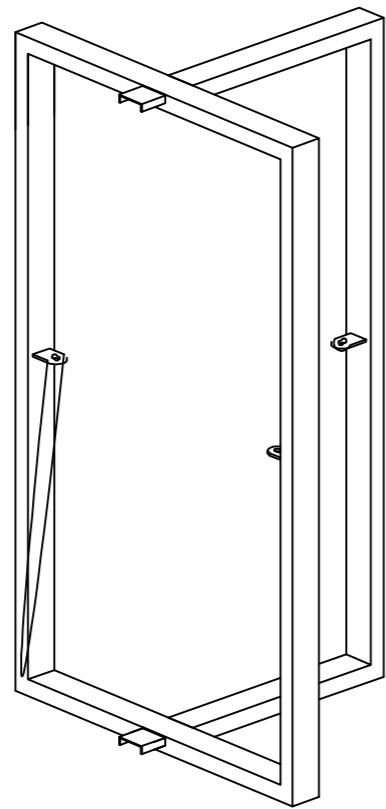


B. GLASS SHELF 1 PC

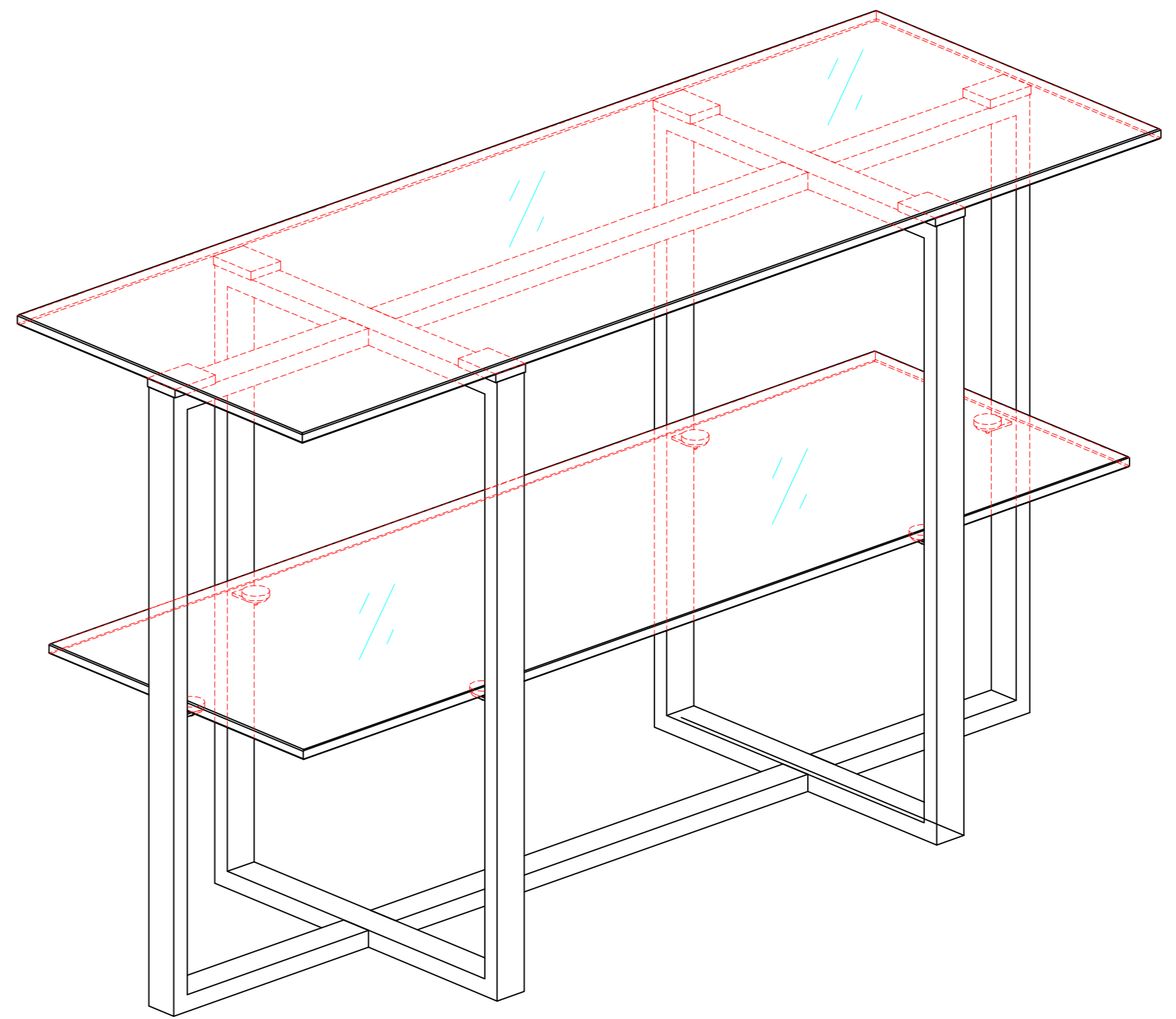
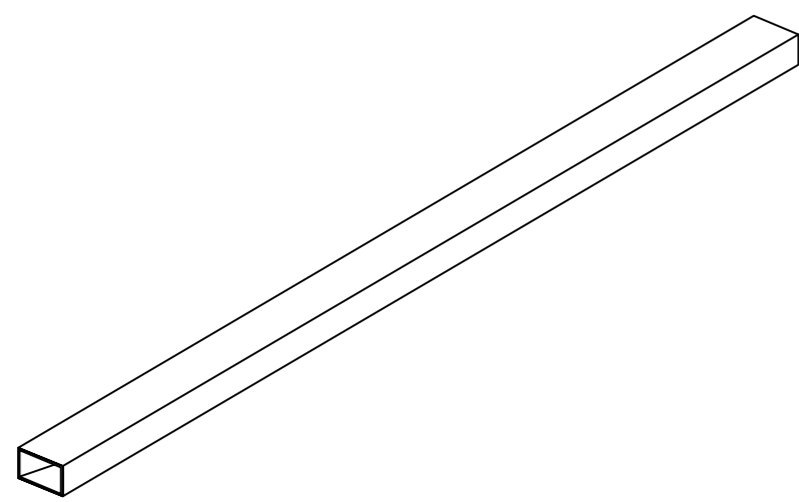


BOX # 2

C. LEG 2 PCS



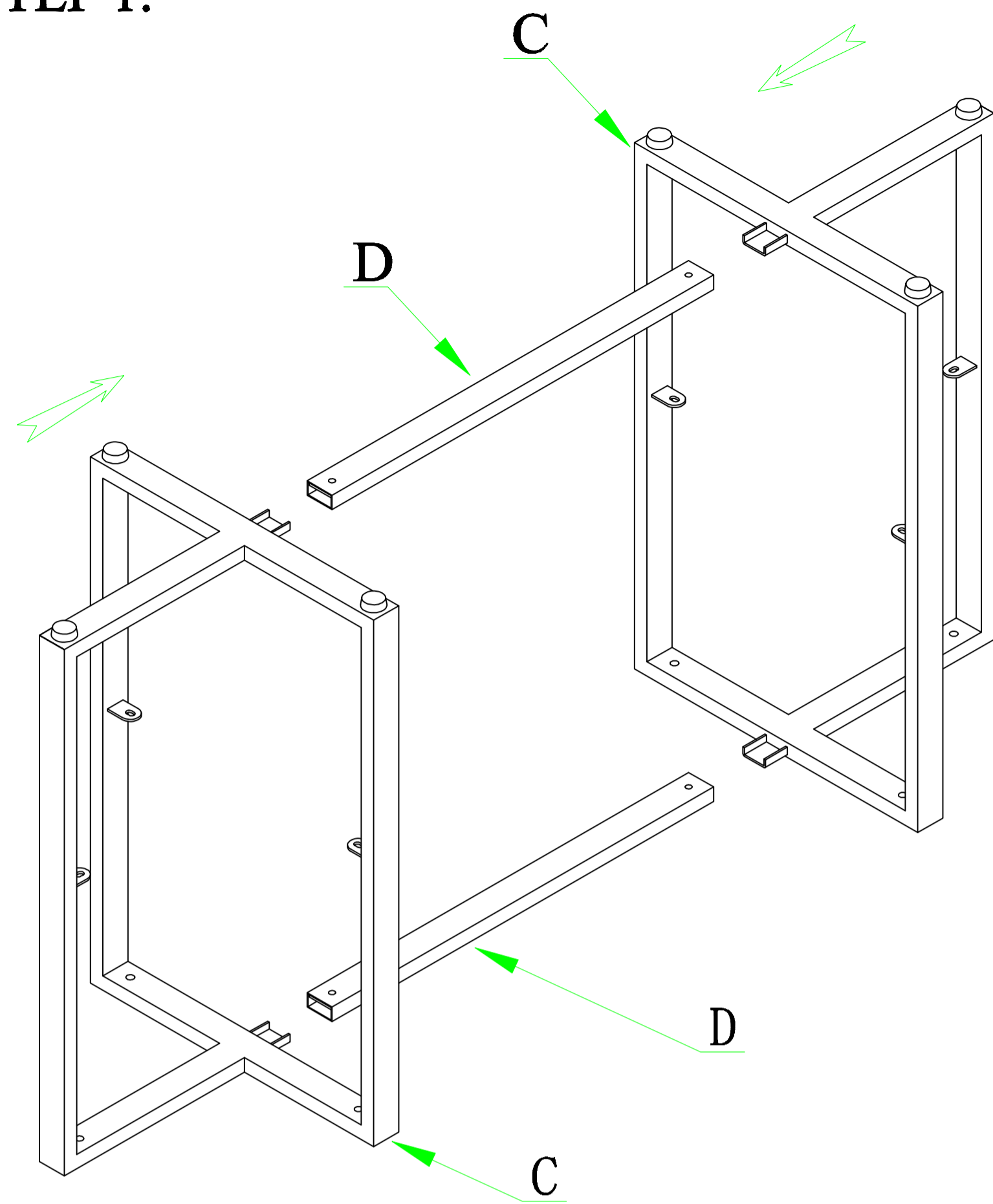
D. STRETCHER 2 PCS



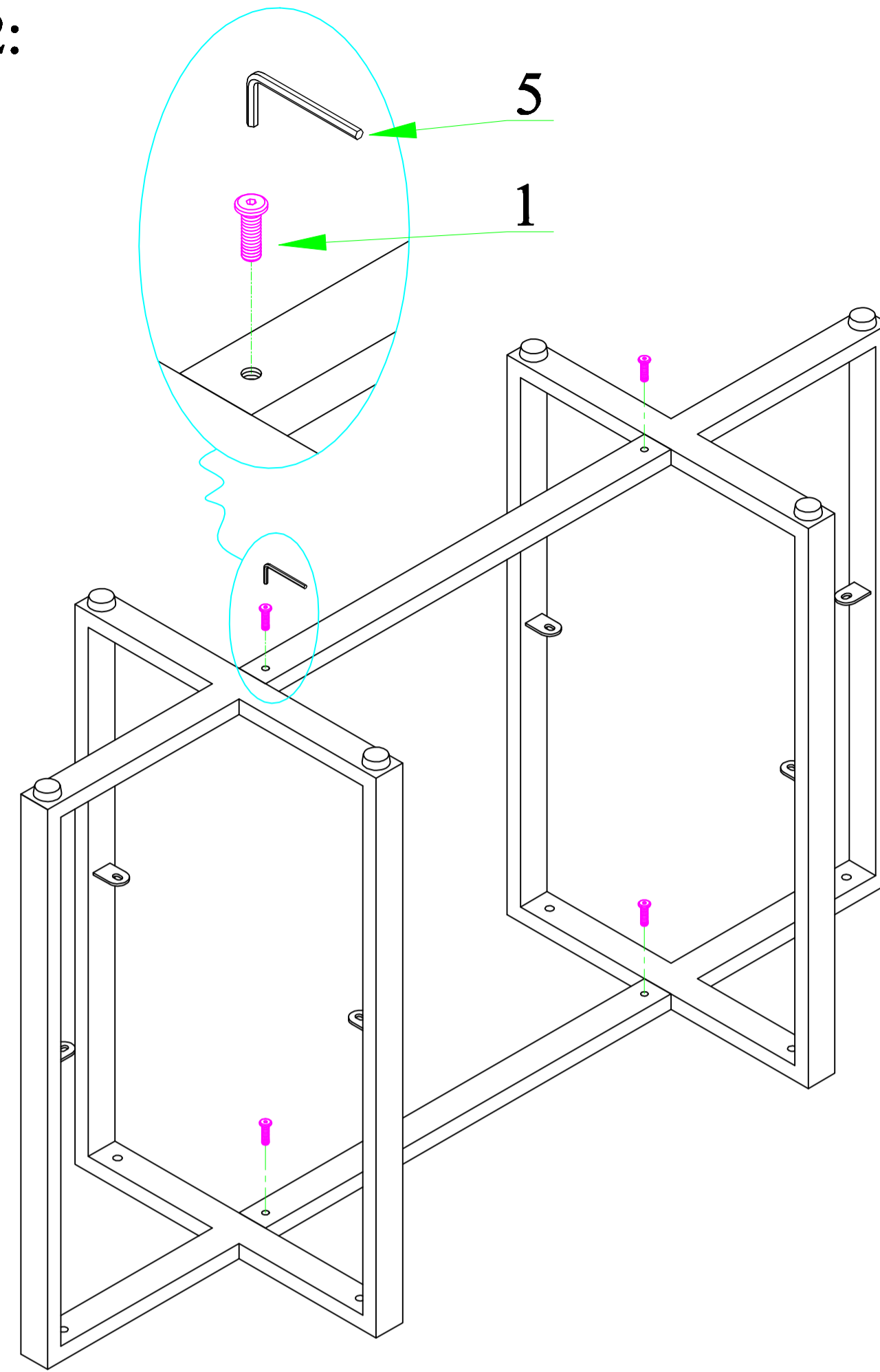
HARDWARE PACKED IN BOX #2

1	ALLEN BOLT (M6X20)	4 PCS	2	SPRING WASHER (M6)	4 PCS	3	FLAT WASHER (M6)	4 PCS	4	ALLEN BOLT (M6X30)	4 PCS	5	ALLEN KEY (M4)	01 PC	6	FELT PAD	6 PCS

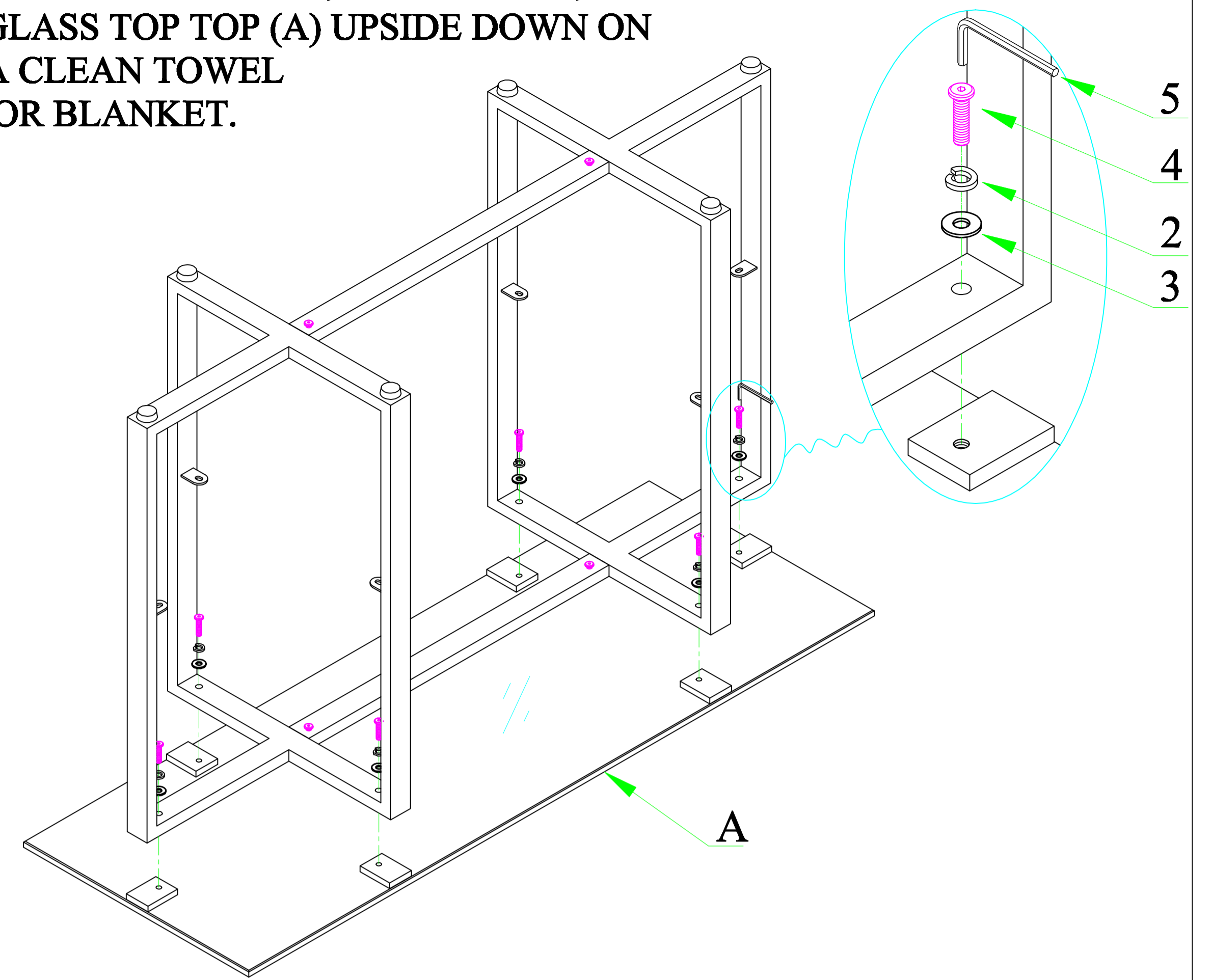
STEP 1:



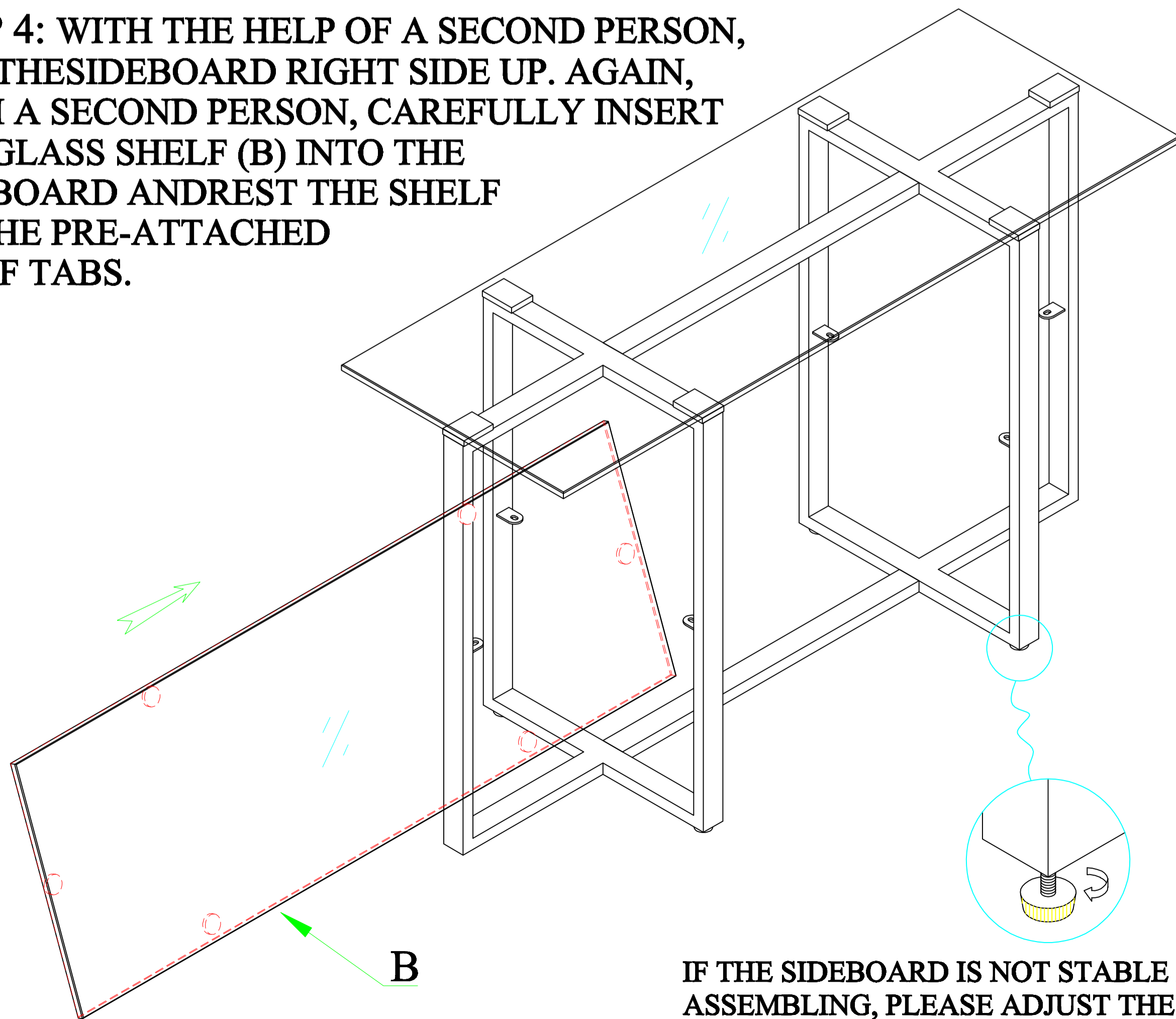
STEP 2:



STEP 3: ON A FLAT, LEVEL AREA, LAY THE GLASS TOP TOP (A) UPSIDE DOWN ON A CLEAN TOWEL OR BLANKET.



STEP 4: WITH THE HELP OF A SECOND PERSON, FLIP THE SIDEBOARD RIGHT SIDE UP. AGAIN, WITH A SECOND PERSON, CAREFULLY INSERT THE GLASS SHELF (B) INTO THE SIDEBOARD AND REST THE SHELF ON THE PRE-ATTACHED SHELF TABS.



IF THE SIDEBOARD IS NOT STABLE AFTER ASSEMBLING, PLEASE ADJUST THE LEVELERS ON THE UNDERSIDE OF THE LEGS TO REDUCE WOBBLE.

