

# ASSEMBLY INSTRUCTIONS

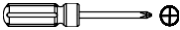
## Bianca Ottoman

ASSEMBLY  
REQUIREMENTS

2-Person  
Assembly

1 Hour  
Assembly Time  
(Approximate)

Tools Required  
(Not Provided)

  
Phillips Screwdriver

  
Mallet

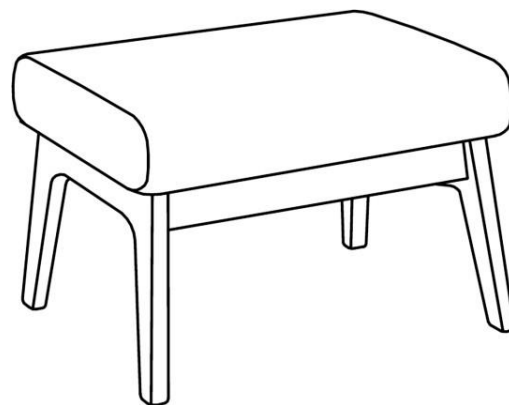
### Thank you for purchasing our product!

Please refer and use this assembly instructions to assemble the product. Contact our customer service department in case there are any missing or damage parts or hardware. Replacement parts are normally shipped within 2 or 3 days.

**PRODUCTS PURCHASED THROUGH OUR AUTHORIZED VENDORS ONLY ARE ELIGIBLE FOR REPLACEMENT PARTS**

We appreciate your business!

**THIS PRODUCT IS FOR INDOOR AND HOUSEHOLD USE ONLY  
– NOT FOR COMMERCIAL USE.**



### ASSEMBLY PREPARATION

1. Remove all packaging materials, staples and packing straps from the carton.
2. Refer to Parts List and Hardware List, and ensure parts and hardware are correct before assembly. Contact customer service for missing parts.
3. Place all wooden parts on a clean, flat and soft surface (e.g. carpet or rug) to prevent scratch and damage to parts.

### SAFETY PRECAUTION

1. KEEP ALL HARDWARE PARTS OUT OF REACH OF CHILDREN.
2. DISPOSE PLASTIC PACKAGING MATERIAL IMMEDIATELY TO AVOID ANY RISK OF SUFFOCATION TO CHILDREN AND ANIMALS.

### TIPS FOR ASSEMBLY

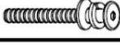


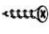


1. Allow ample room for assembly and in close proximity to where product will be placed.
2. Assemble the product on a surface that does not scratch or damage the exterior gloss and finish of the furniture.
3. Identify all of the parts, hardware and quantities required for each step.
4. During assembly, do not over-tighten any fittings as this may cause damage.
5. DO NOT USE POWER TOOLS TO ASSEMBLE THIS PRODUCT.
6. Always place the product on a flat, level surface.
7. Do not sit or stand on the partially assembled product; only use the product for which it is intended.

### CARE AND MAINTENANCE

- Wipe clean with a soft, dry cloth; avoid the use of harsh chemicals or household cleaners as they may damage the exterior finish of the furniture.
- Hardware may loosen over time. Periodically, check that all connections are tight; re-tighten as necessary.
- Solid wood is impacted by heat and humidity fluctuations and may result in small joint separations or hairline cracks; place the furniture away from direct sunlight and air conditioning vents, heating vents or units to protect the furniture.

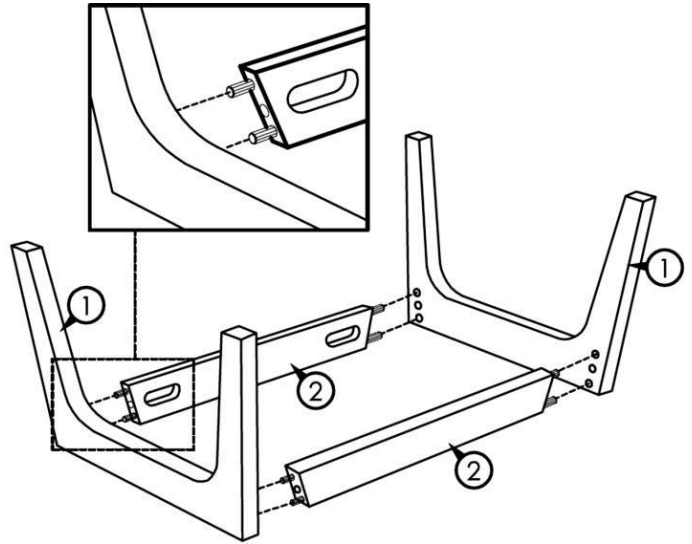
# ASSEMBLY INSTRUCTIONS

## Bianca Ottoman

HARDWARE LIST			EXTRA	PART LIST		
A	JCBC M6 x 50mm + S/W M6 + F/W M6 x 13mm 	4PCS	1PC	1	LEG	2PCS
				2	STRETCHER	2PCS
				3	CUSHION SEAT	1PC
B	ALLEN KEY M4 	1PC				
C	L-BRACKET 	4PCS				
D	CSK SCREW M3.5 x 12mm 	8PCS	1PC			
E	WOOD DOWEL M8 x 25mm 	2PCS	1PC			
F	LEG STUD 5/8" (WITH PIN) 	4PCS	1PC			

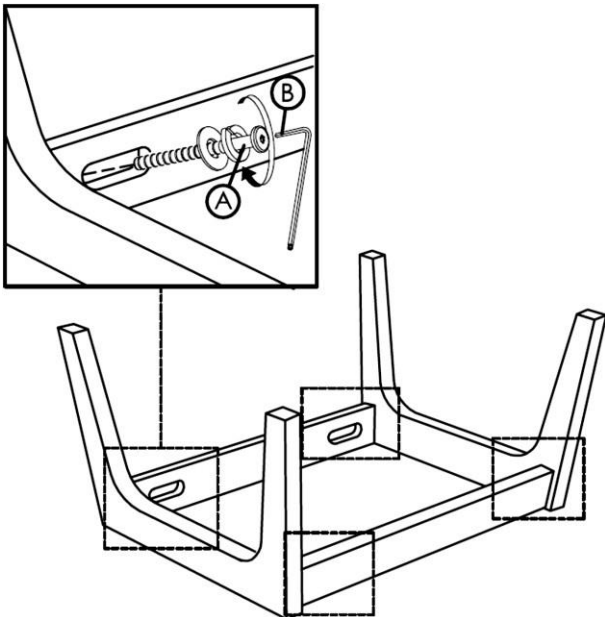
\*EXTRA HARDWARE FOR SPARE USE

### STEP 1



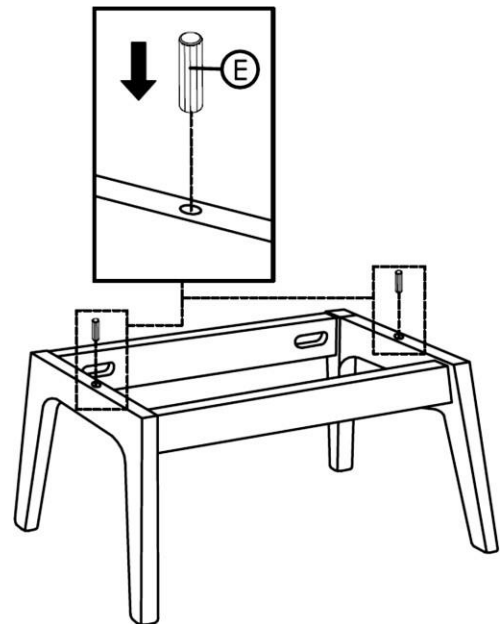
a) Attach Leg (1) to (2) via wood dowels on (2).

### STEP 2



Use JCBC Bolt (A)+SW+FW to fasten Leg to Stretcher. Use Allen Key (B) to drive (A). Do not over tighten the bolt.

### STEP 3

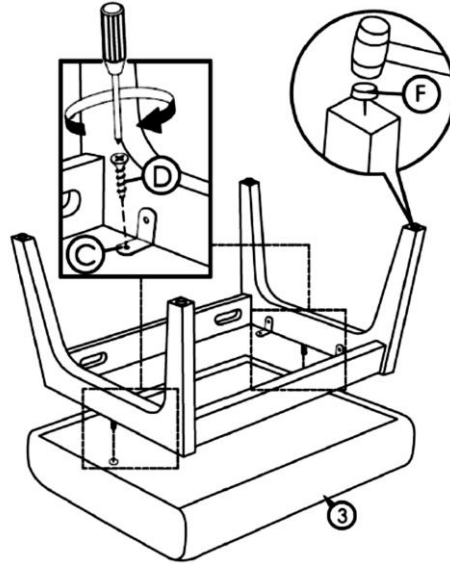


a) Set assembly from Step 2 right-side up.  
b) Insert Wood Dowel (E) into center hole on Leg

## ASSEMBLY INSTRUCTIONS

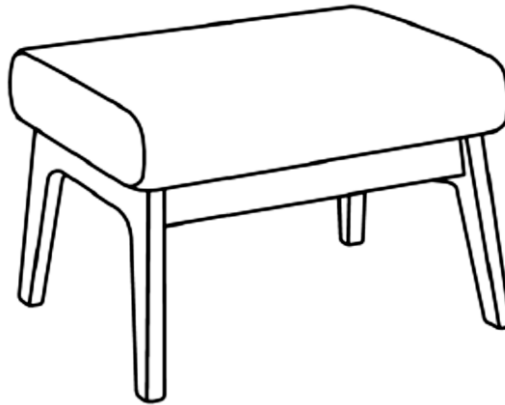
### Bianca Ottoman

#### STEP 4



- Lay Cushion Seat (3) bottom-side up on a flat surface & soft material to prevent scratch and damage.
- Attach assembly from STEP 3 to Cushion Seat as shown.
- Use L-Bracket (C) and Screw (D) to fasten Cushion Seat (3) to Leg (1).
- Use a mallet or hammer to tap on Leg Stud (F) to each leg.

#### STEP 5



Set the ottoman right side-up  
The assembly of the ottoman is complete.