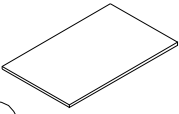
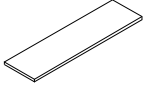
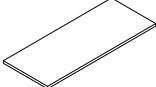
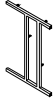
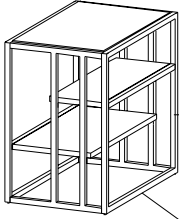

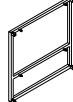






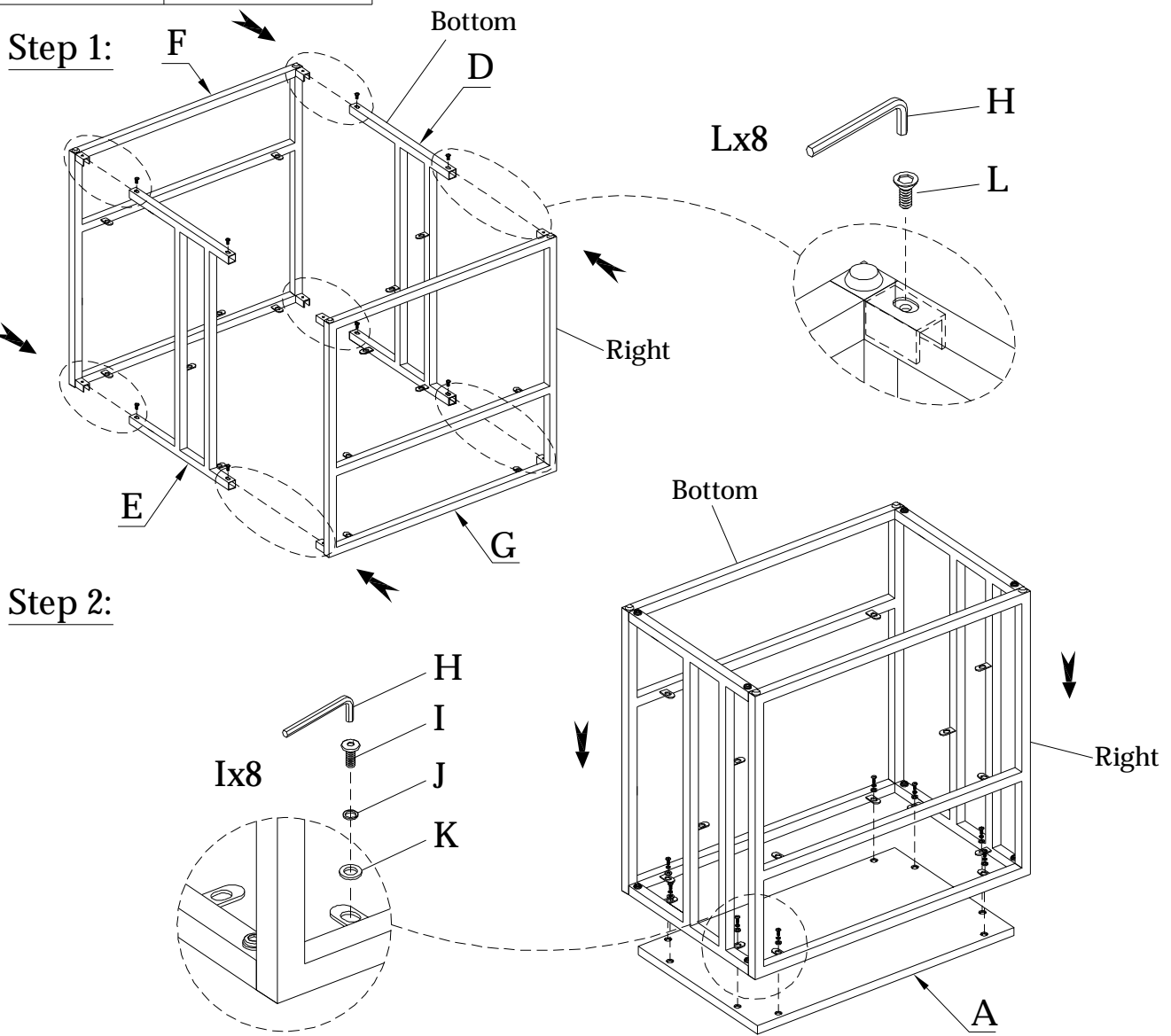


*Paradigm  
Occasional Tables  
Assembly Instructions*

Made in Viet Nam

Components and Hardware List

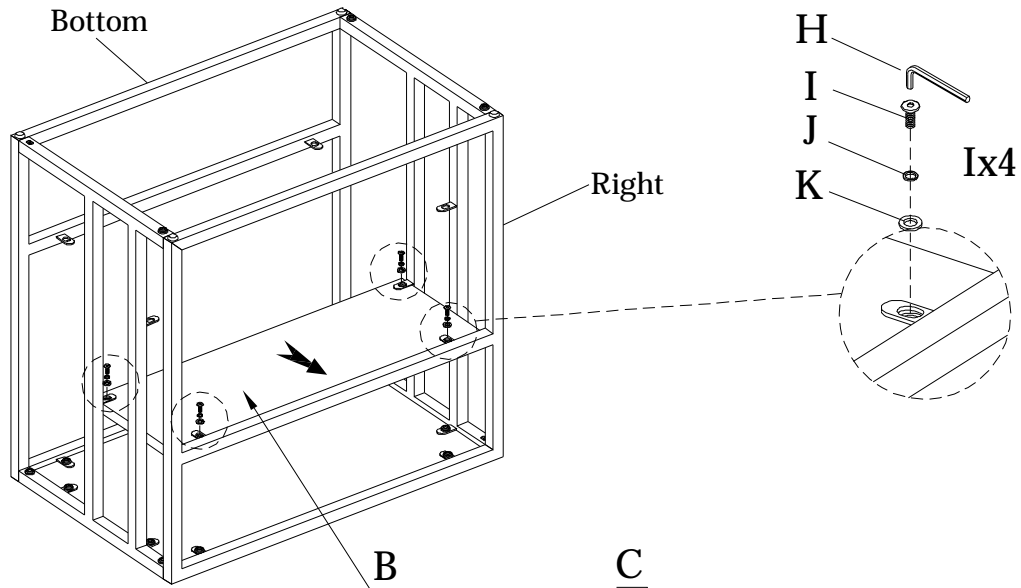
<p>Table Top</p>  <p><b>(A)</b> 1 pc.</p>	<p>Upper Shelf</p>  <p><b>(B)</b> 1 pc.</p>	<p>Lower Shelf</p>  <p><b>(C)</b> 1 pc.</p>	<p>Front Frame</p>  <p><b>(D)</b> 1 pc.</p>	 <p>Right Bottom</p> <p><b>#37112 Chairside Table</b></p>	
<p>Back Frame</p>  <p><b>(E)</b> 1 pc.</p>	<p>Side Frame (Left)</p>  <p><b>(F)</b> 1 pc.</p>	<p>Side Frame (Right)</p>  <p><b>(G)</b></p>	<p>M4 Allen Key</p>  <p><b>(H)</b> 1 pc.</p>	<p>1/4"-20 x 5/8" Allen Head Bolt</p>  <p><b>(I)</b> 16 pcs.</p>	<p>1/4" - Ø12x1mm Spring Washer</p>  <p><b>(J)</b> 16 pcs.</p>
<p>1/4" - Ø16x2mm Flat Washer</p>  <p><b>(K)</b> 16 pcs.</p>	<p>1/4"-20 x 5/8" Allen Flat Head Bolt</p>  <p><b>(L)</b> 8 pcs.</p>	<p>Be sure to check all packing material carefully for small parts, which may have come loose inside the carton during shipment. To prevent possible scratches and damage, this furniture should be assembled on a soft surface such as a blanket or carpet.</p>			



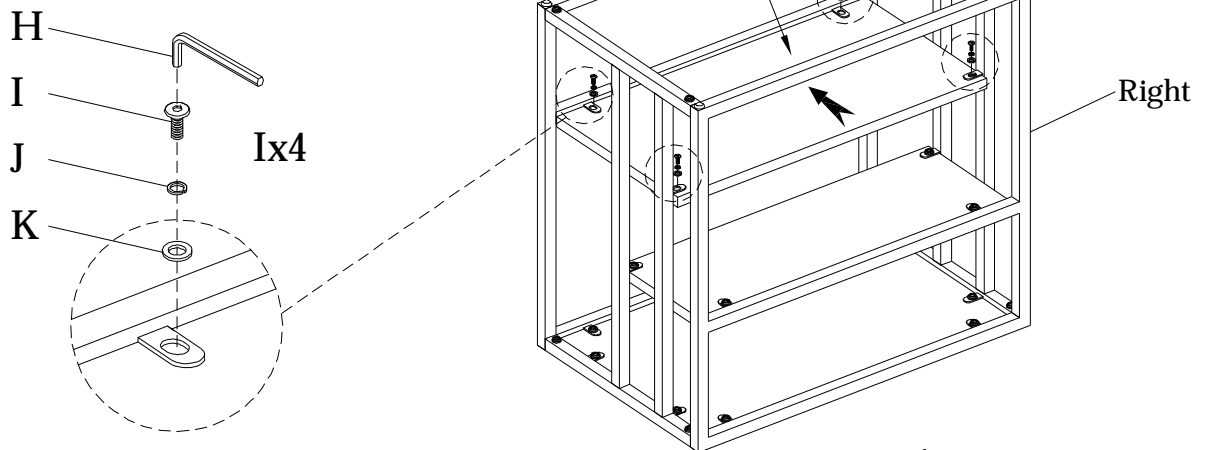
*Paradigm*  
*Occasional Tables*  
*Assembly Instructions*

Made in Viet Nam  
#37112  
Chairside Table

Step 3:



Step 4:



Step 5:

