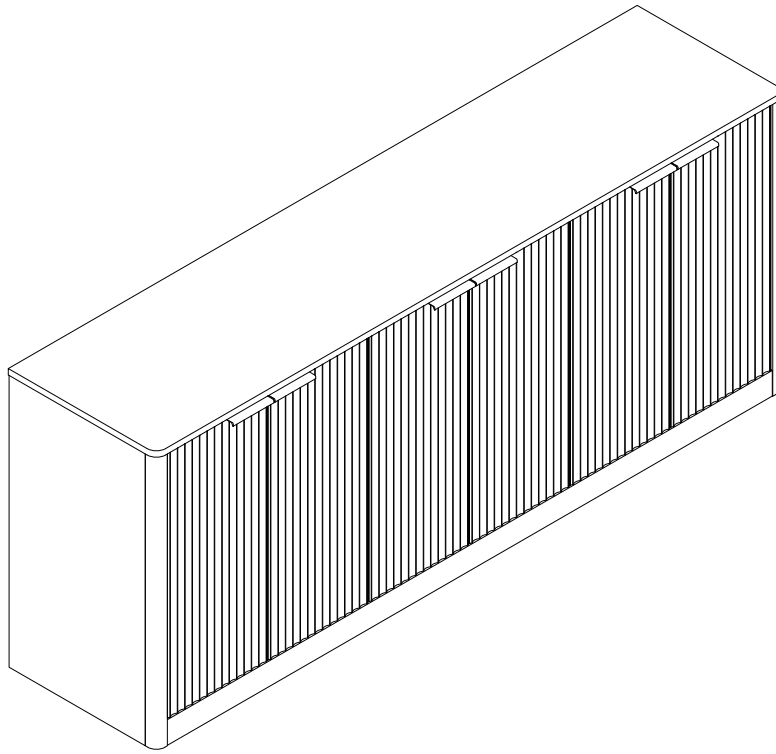
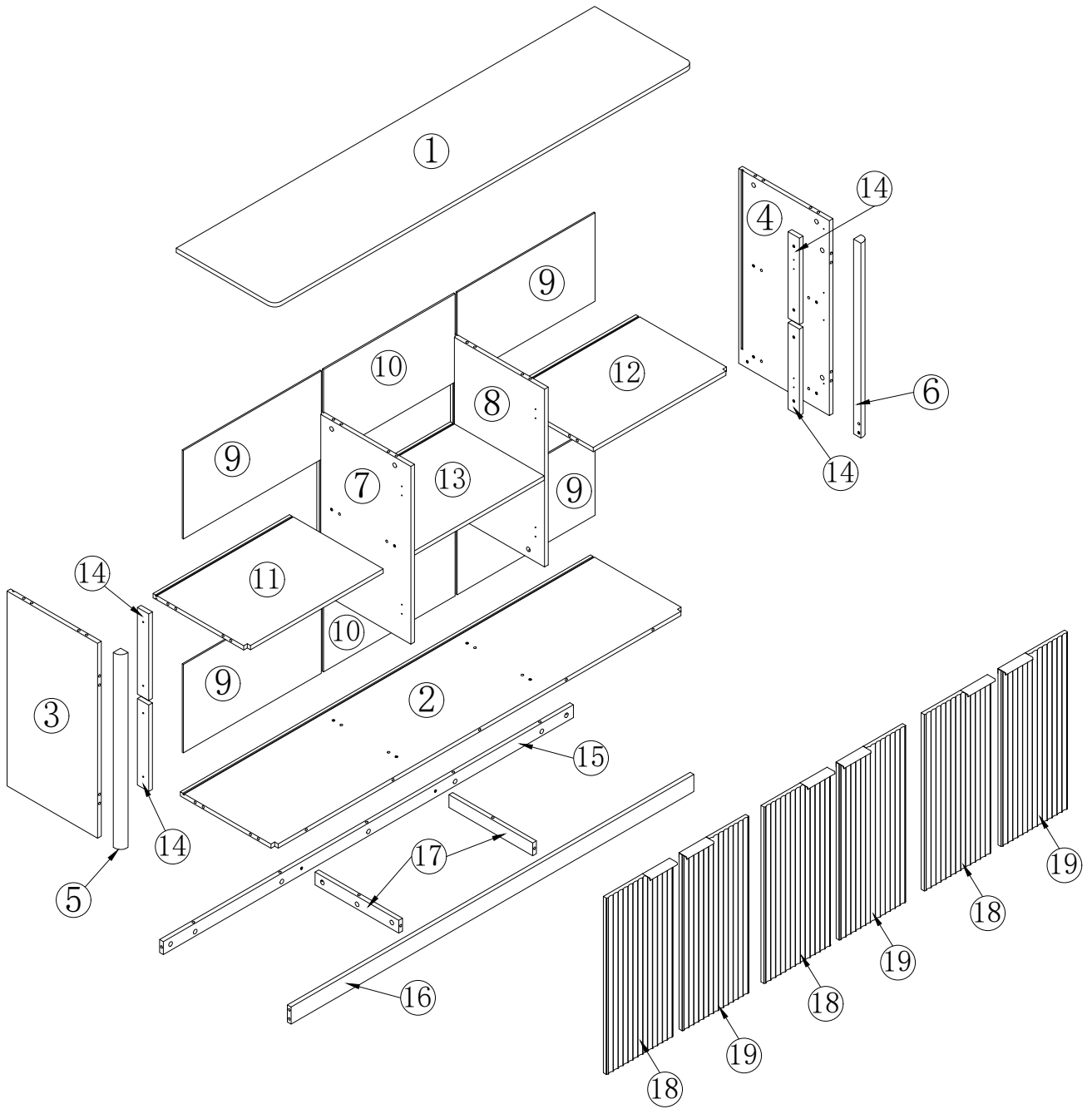


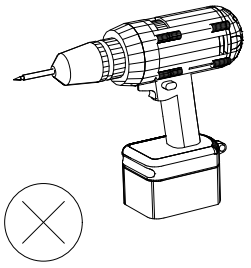
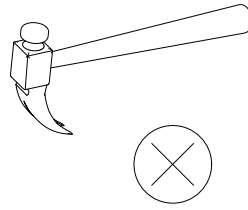
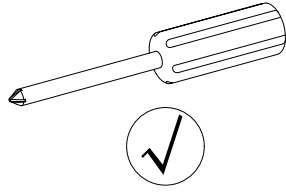
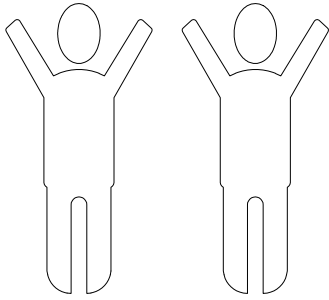
Assembly Instruction



Parts List (EN)

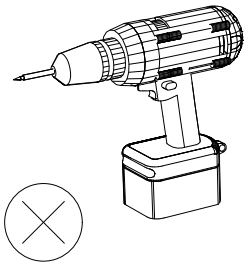
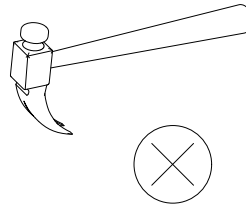
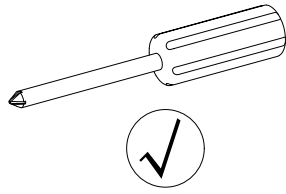
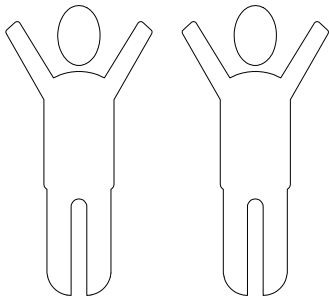


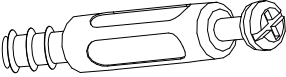

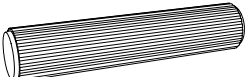
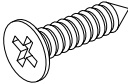
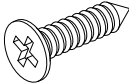
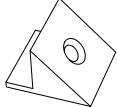
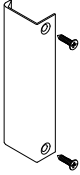
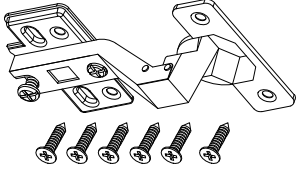
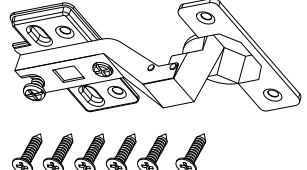
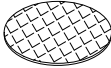
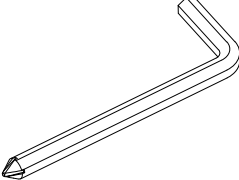
Parts List (EN)



<p>①</p> <p>1PCS</p>	<p>②</p> <p>1PCS</p>	<p>③</p> <p>1PCS</p>	<p>④</p> <p>1PCS</p>
<p>⑤</p> <p>1PCS</p>	<p>⑥</p> <p>1PCS</p>	<p>⑦</p> <p>1PCS</p>	<p>⑧</p> <p>1PCS</p>
<p>⑨</p> <p>4PCS</p>	<p>⑩</p> <p>2PCS</p>	<p>⑪</p> <p>1PCS</p>	<p>⑫</p> <p>1PCS</p>
<p>⑬</p> <p>1PCS</p>	<p>⑭</p> <p>4PCS</p>	<p>⑮</p> <p>1PCS</p>	<p>⑯</p> <p>1PCS</p>
<p>⑰</p> <p>2PCS</p>	<p>⑱</p> <p>3PCS</p>	<p>⑲</p> <p>3PCS</p>	

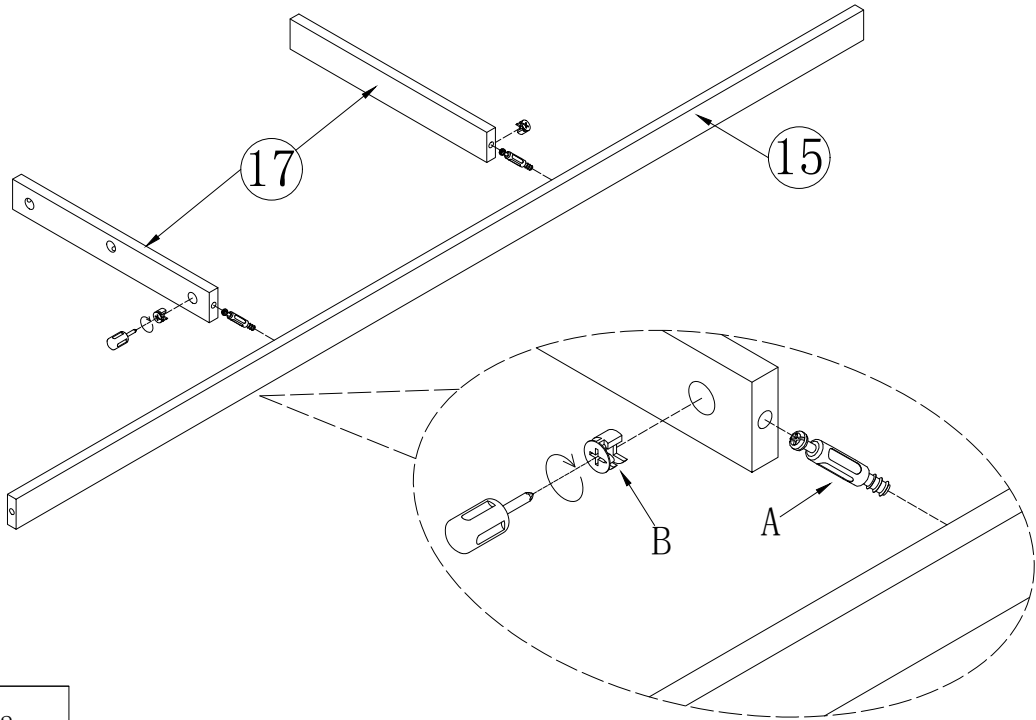
Parts List (EN)





<p>A</p>  <p>$\phi 6*35\text{mm}$ 52+2PCS</p>	<p>B</p>  <p>$\phi 15*9.5\text{mm}$ 52+2PCS</p>	<p>C</p>  <p>$\phi 8*30\text{mm}$ 34+2PCS</p>
<p>D</p>  <p>$\phi 3.5*14\text{mm}$ 24+2PCS</p>	<p>E</p>  <p>$\phi 3.5*25\text{mm}$ 8+2PCS</p>	<p>F</p>  <p>24+2PCS</p>
<p>G</p>  <p>Handle 6sets</p>	<p>H</p>  <p>Mid bend door hinge 8sets</p>	<p>I</p>  <p>Large curved door hinge 4sets</p>
<p>J</p>  <p>28+2 PCS</p>	<p>K</p>  <p>M4 1PCS</p>	

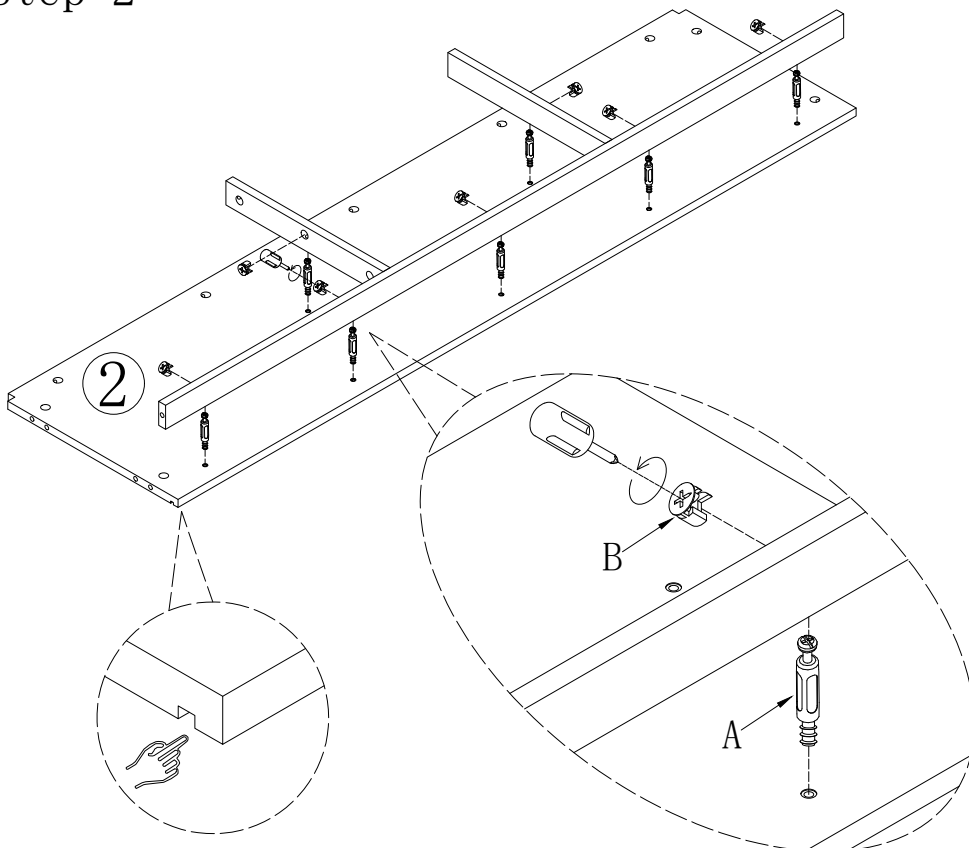
Assembly Steps (EN)



Step 1



	Ax2pcs
	Bx2pcs

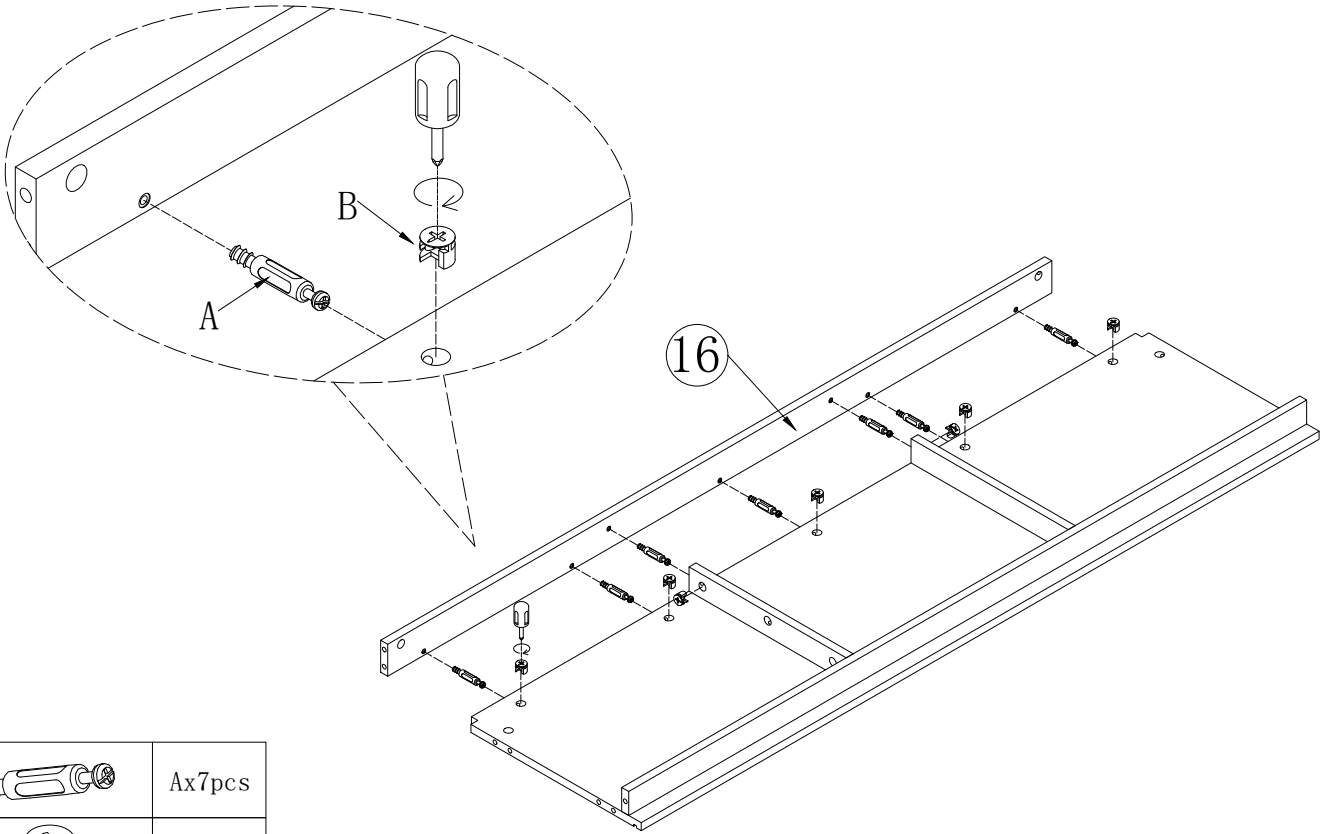
Step 2





	Ax7pcs
	Bx7pcs

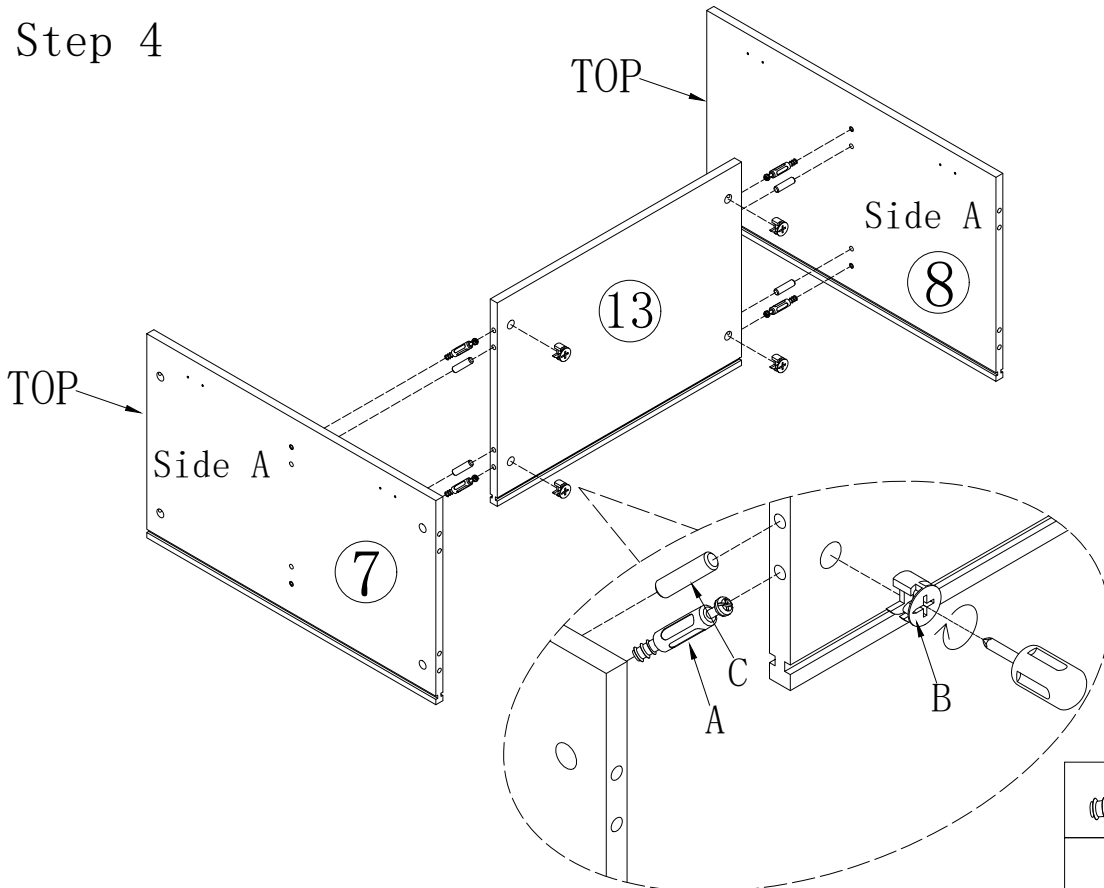
Assembly Steps (EN)




Step 3



	Ax7pcs
	Bx7pcs

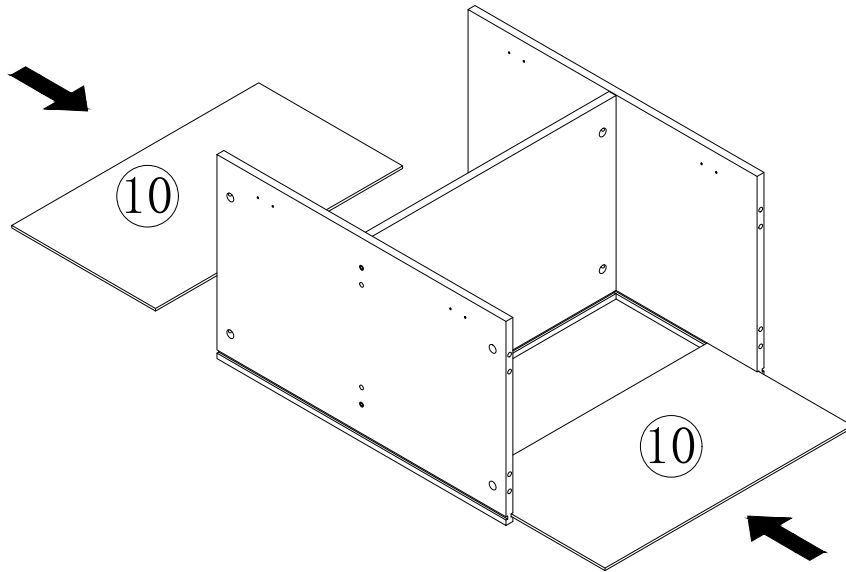
Step 4



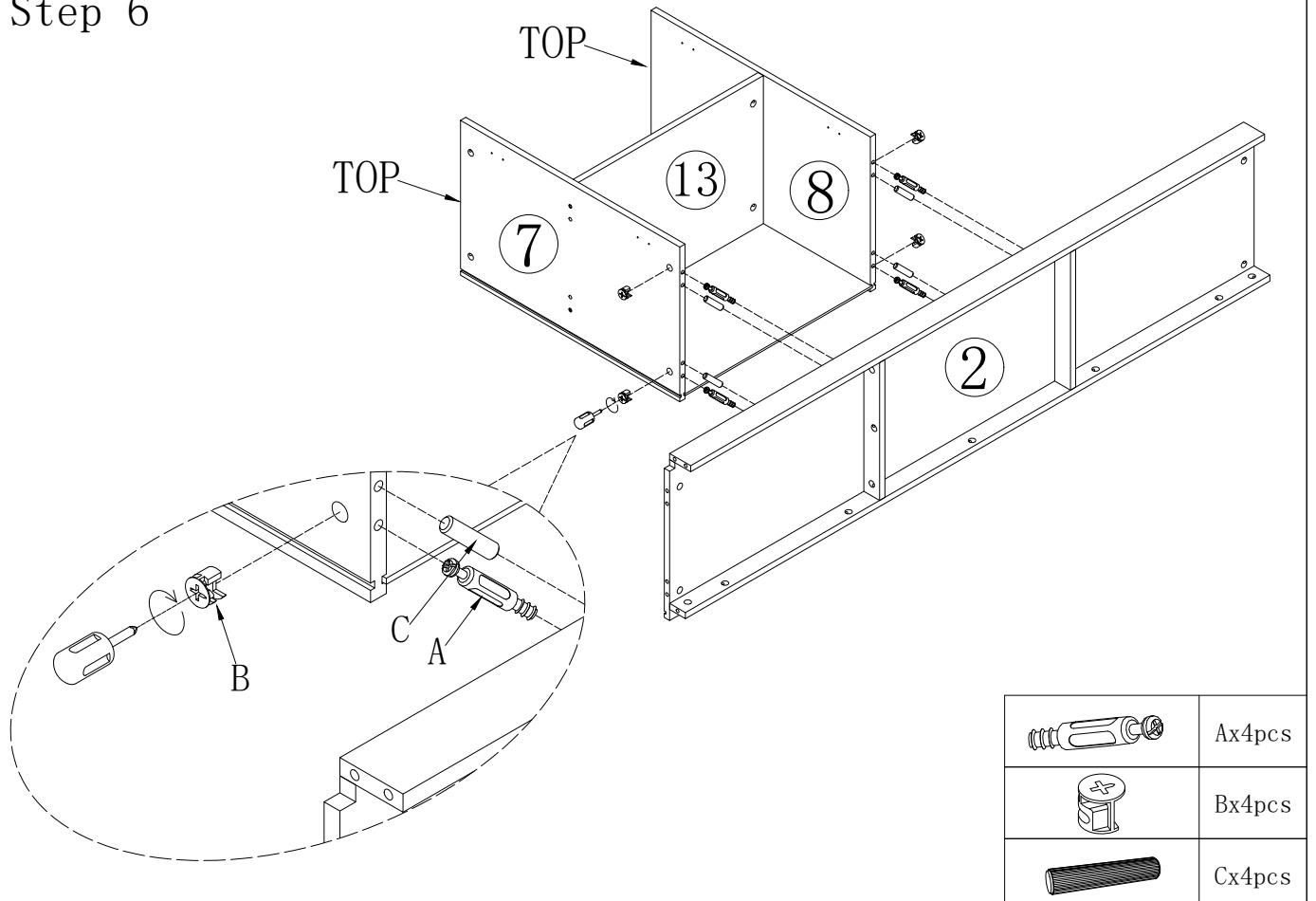
	Ax4pcs
	Bx4pcs
	Cx4pcs

Assembly Steps (EN)

Step 5

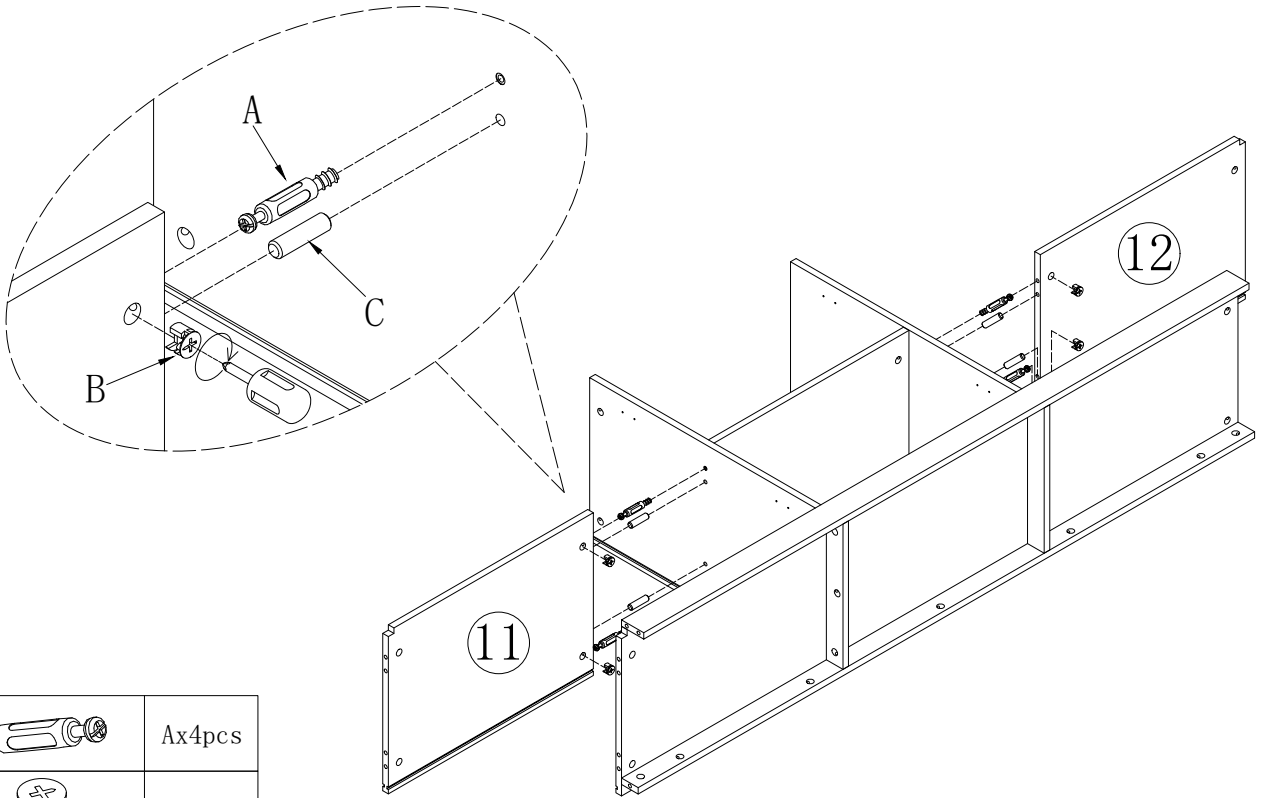





Step 6



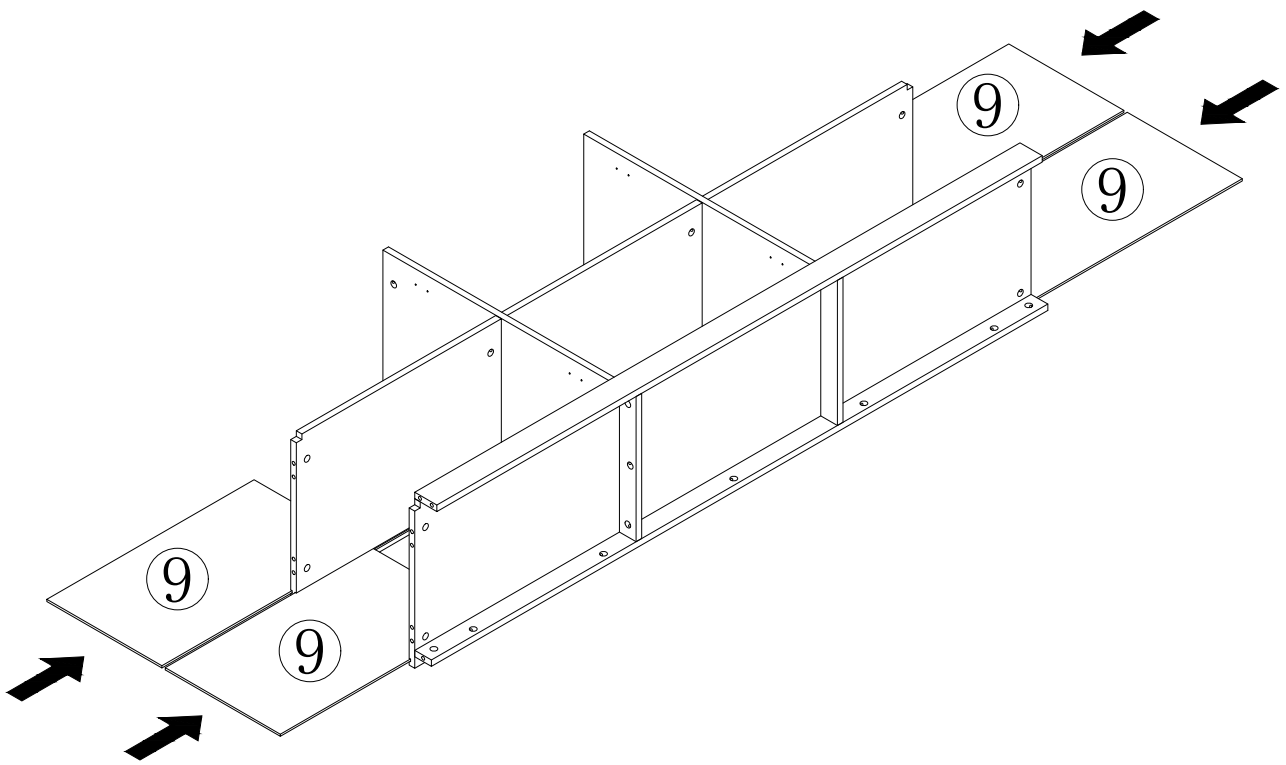
Assembly Steps (EN)

Step 7



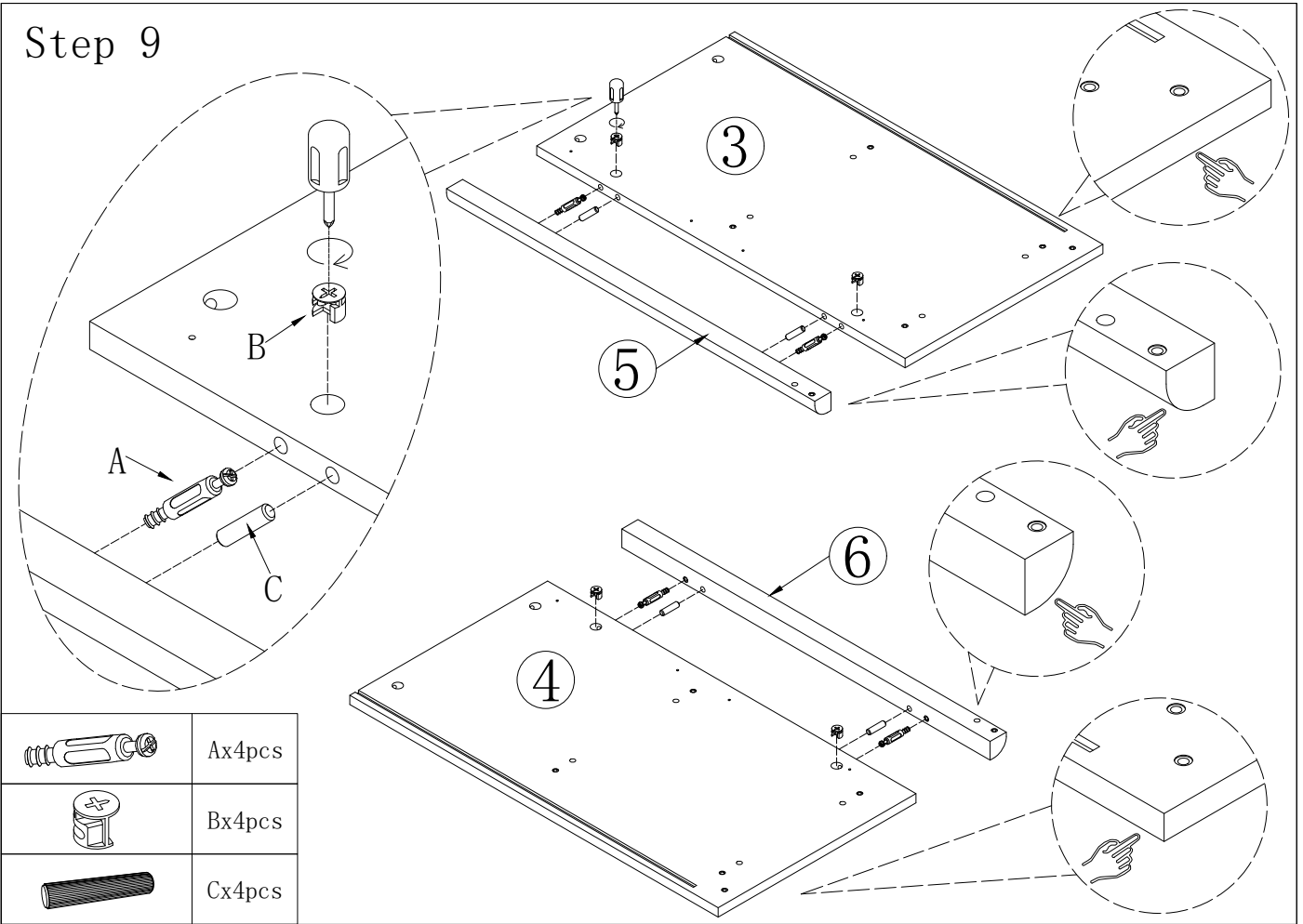
	Ax4pcs
	Bx4pcs
	Cx4pcs




Step 8



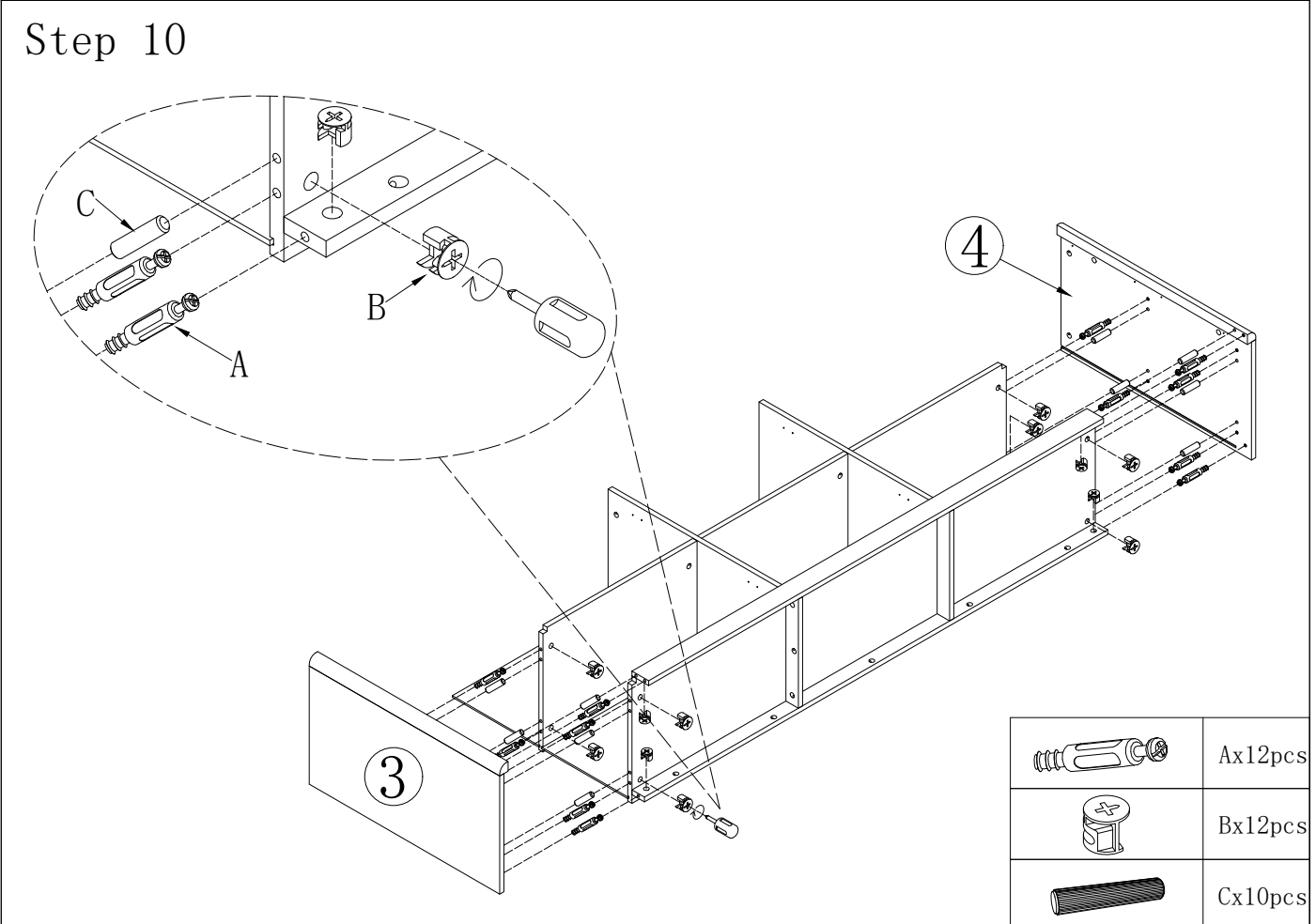
Assembly Steps (EN)




Step 9



	Ax4pcs
	Bx4pcs
	Cx4pcs

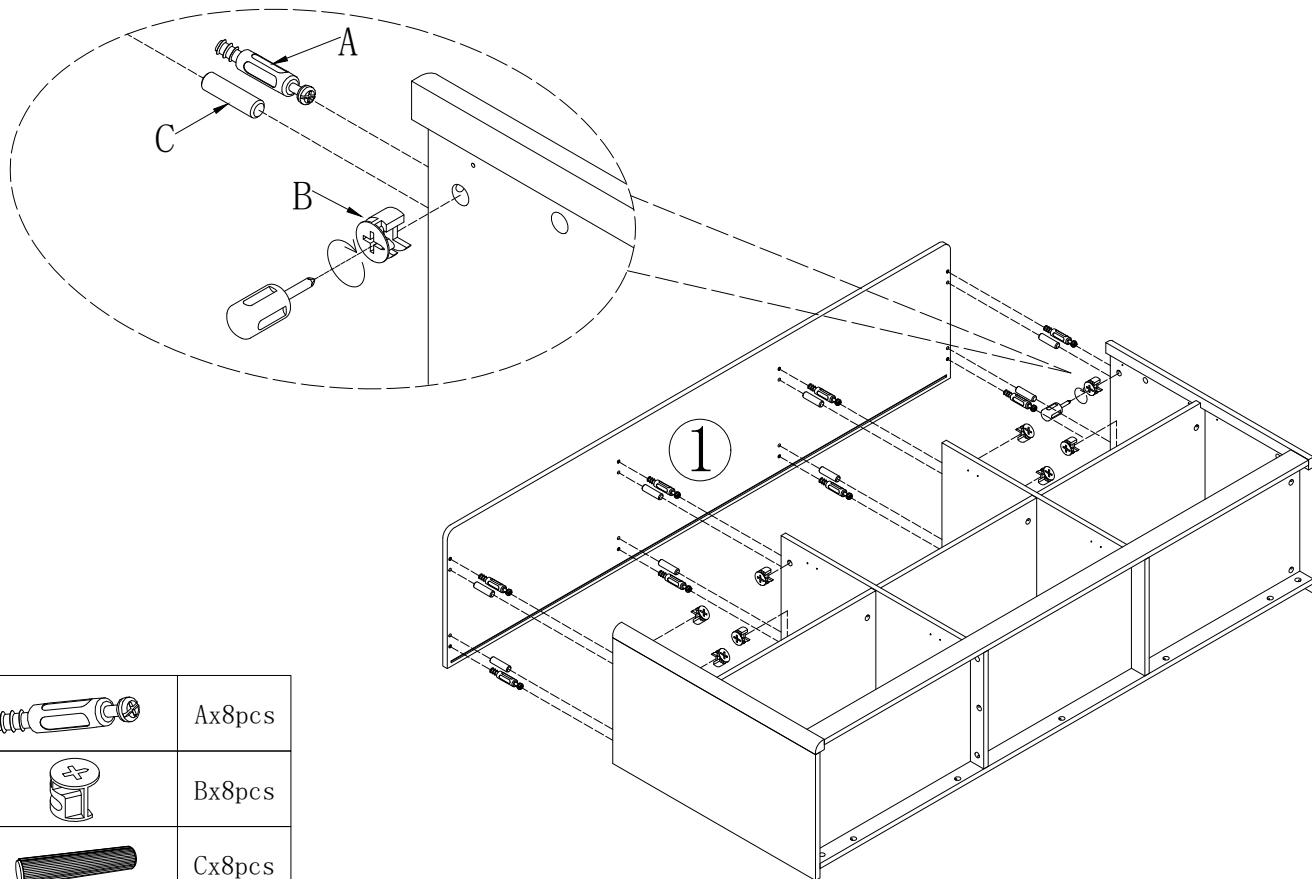
Step 10






	Ax12pcs
	Bx12pcs
	Cx10pcs

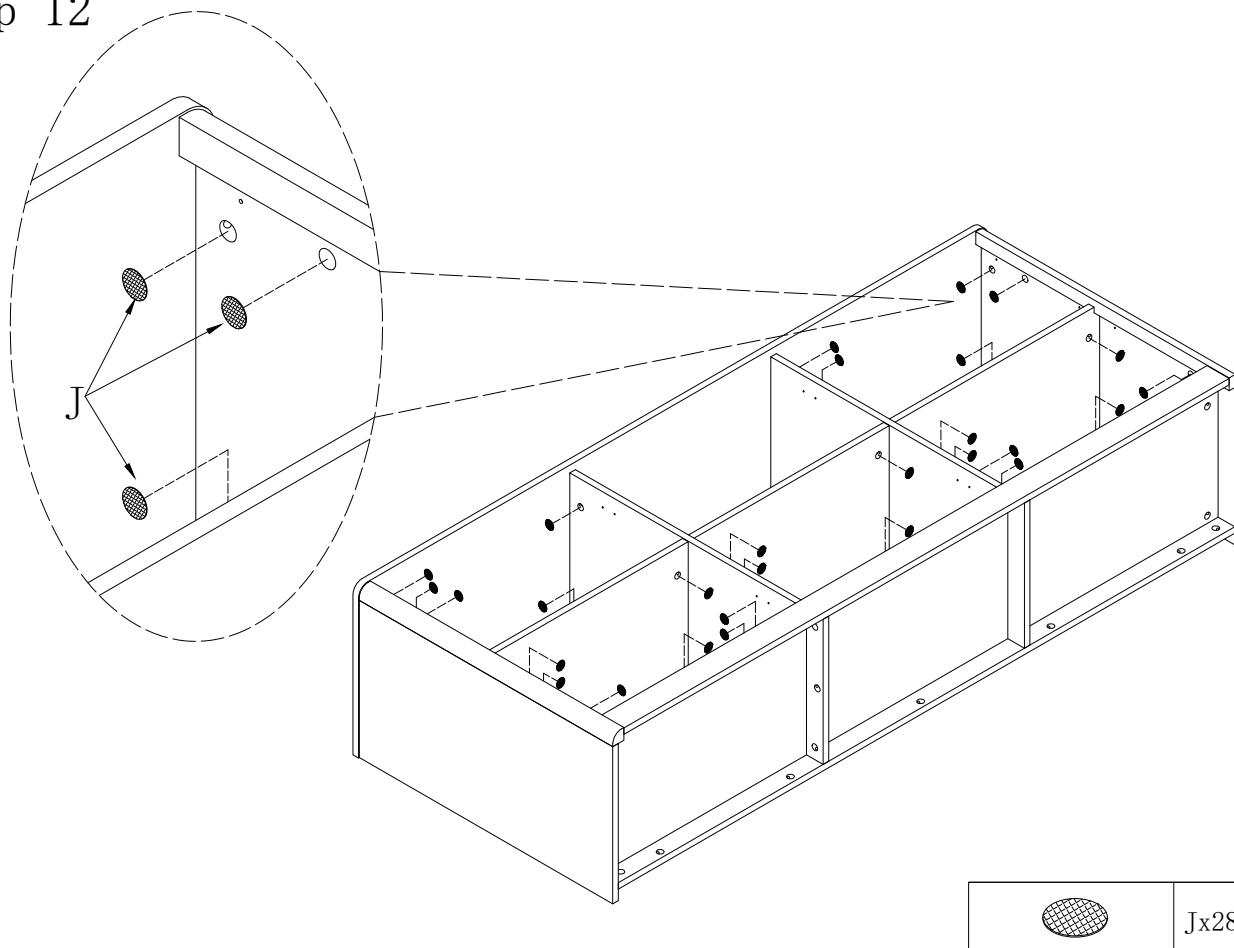
Assembly Steps (EN)


Step 11



	Ax8pcs
	Bx8pcs
	Cx8pcs

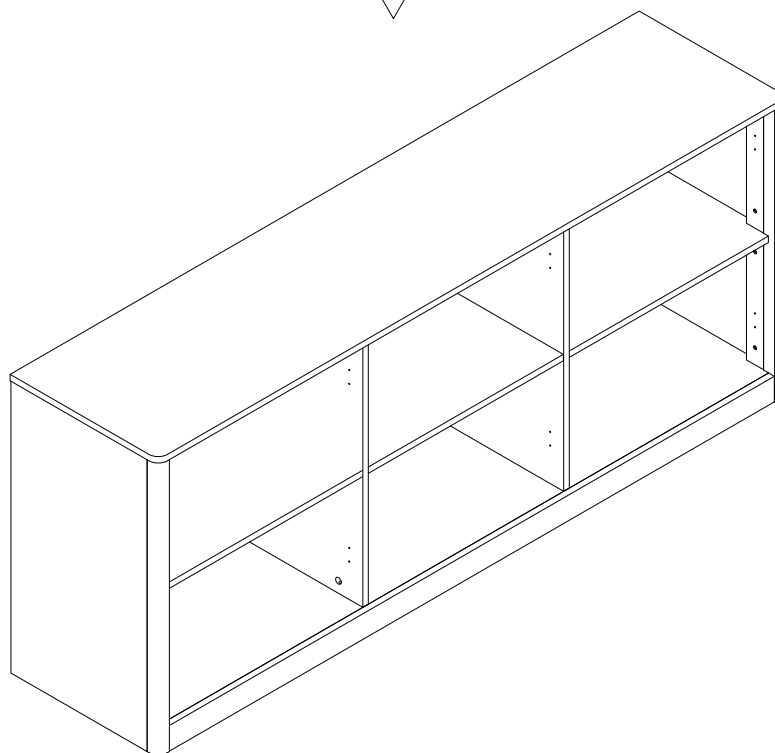
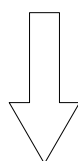
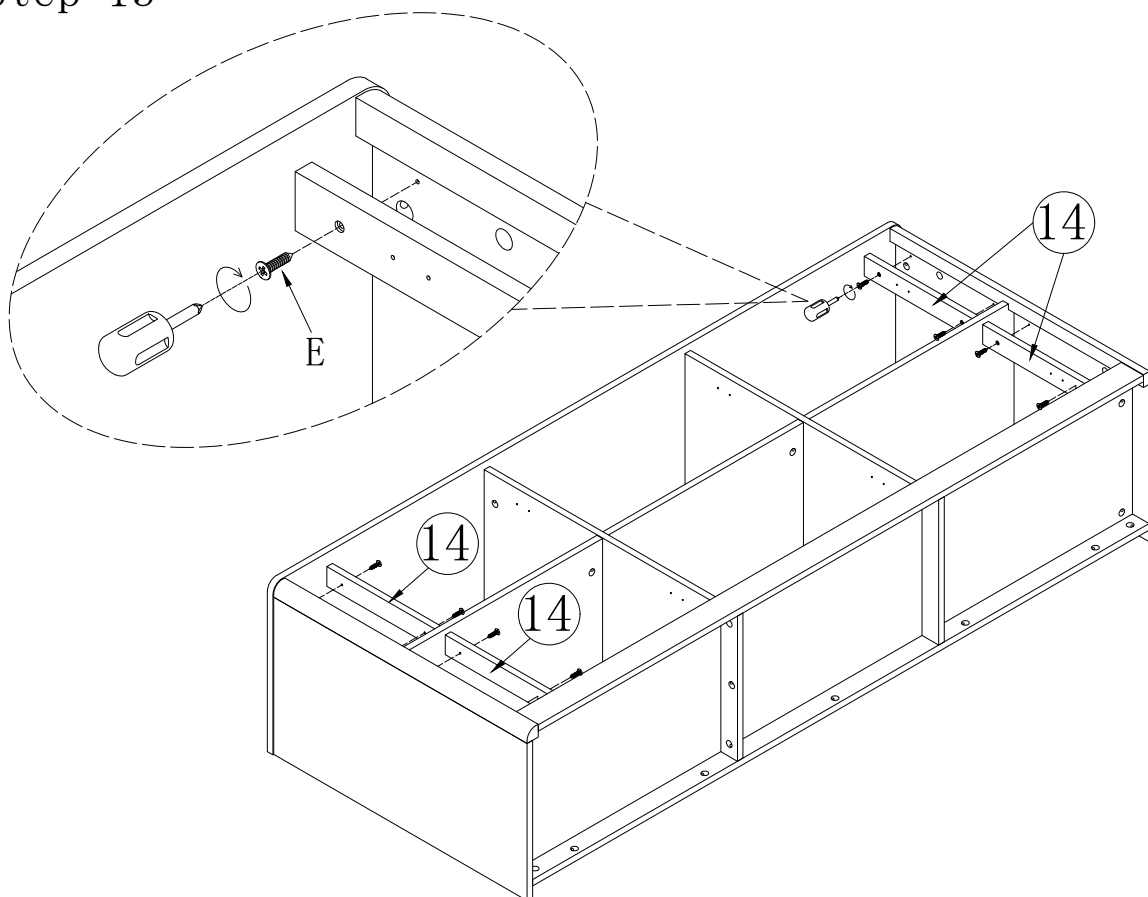
Step 12



	Jx28pcs
---	---------

Assembly Steps (EN)

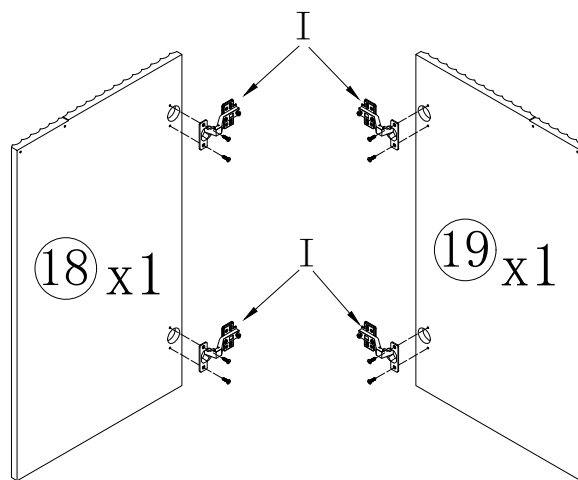
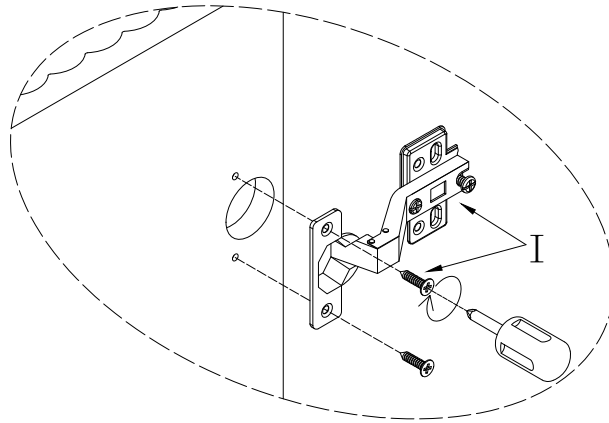
Step 13



Ex8pcs

Assembly Steps (EN)

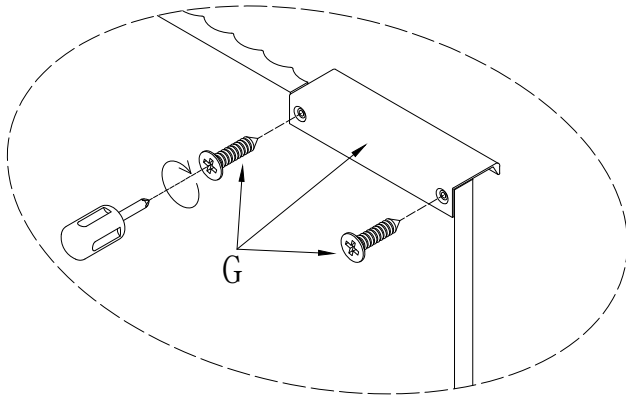
Step 14



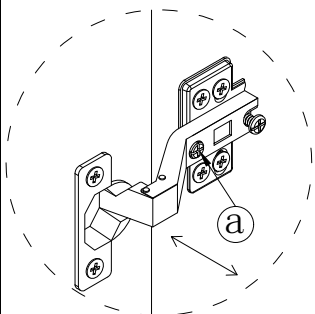
Ix4sets

Assembly Steps (EN)

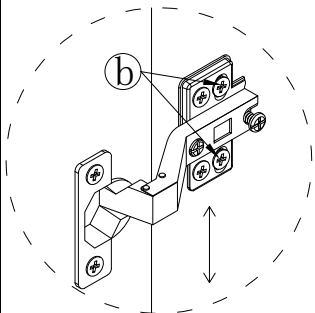
Step 15



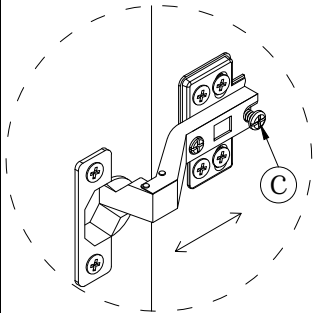
DOOR FITTING



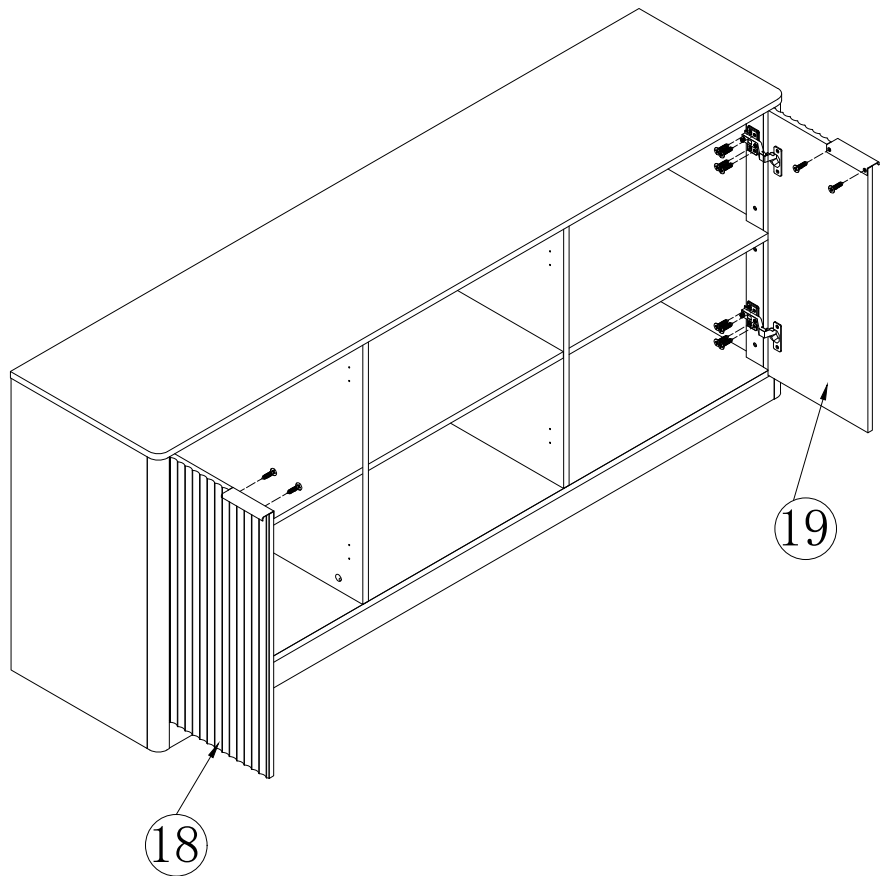
To adjust in width



To adjust in height

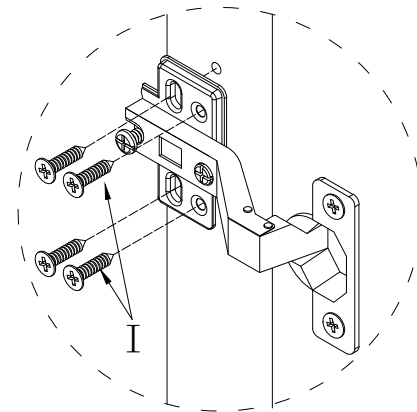


To adjust in depth





18

19

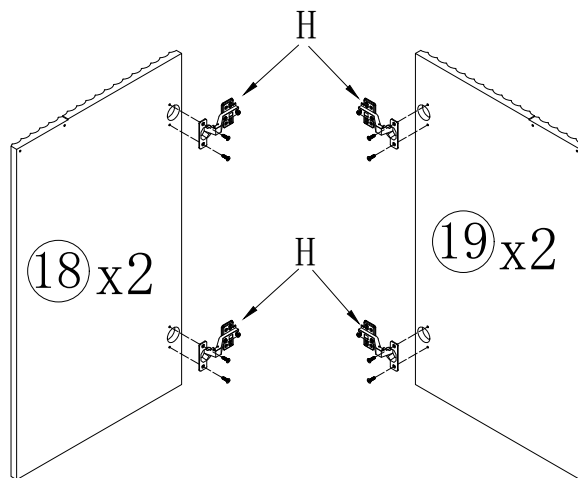
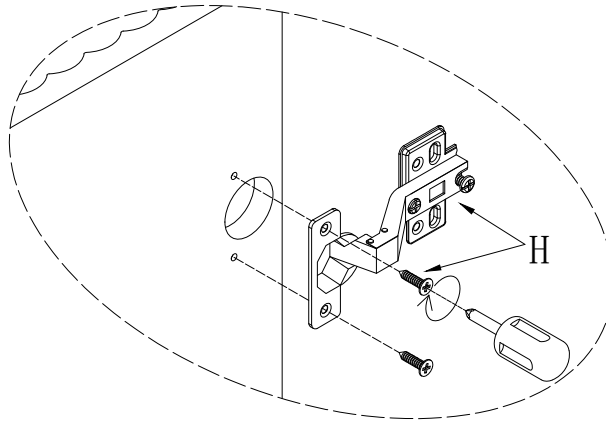


x4

	I x 16 pcs
	G x 2 sets

Assembly Steps (EN)

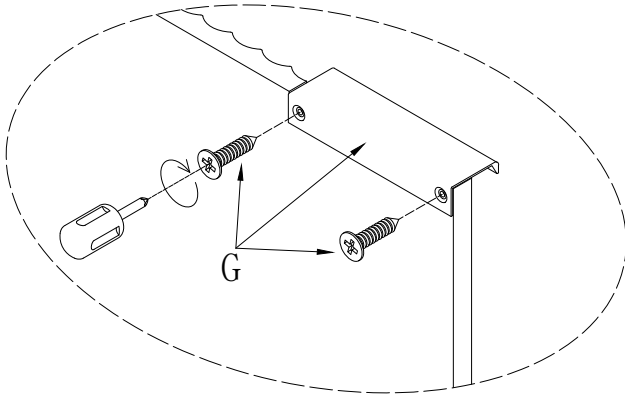
Step 16



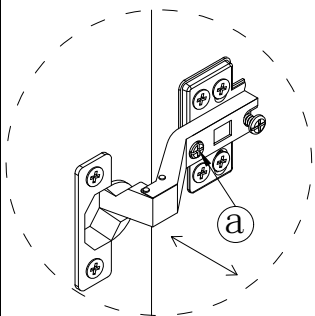
Hx8sets

Assembly Steps (EN)

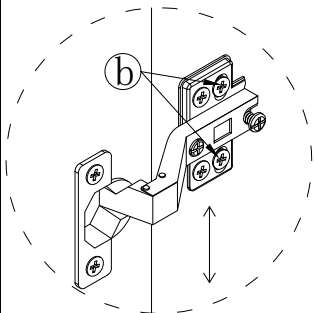
Step 17



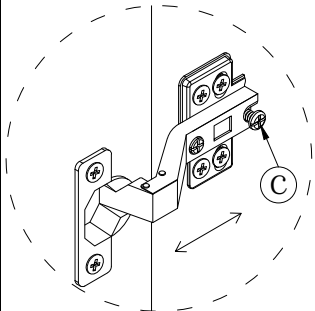
DOOR FITTING



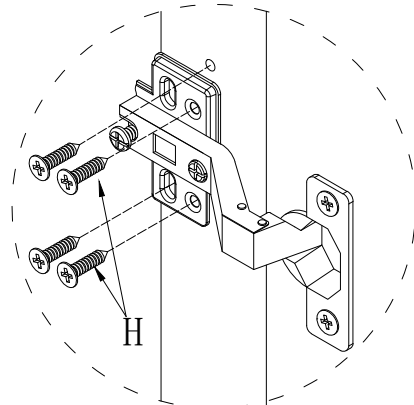
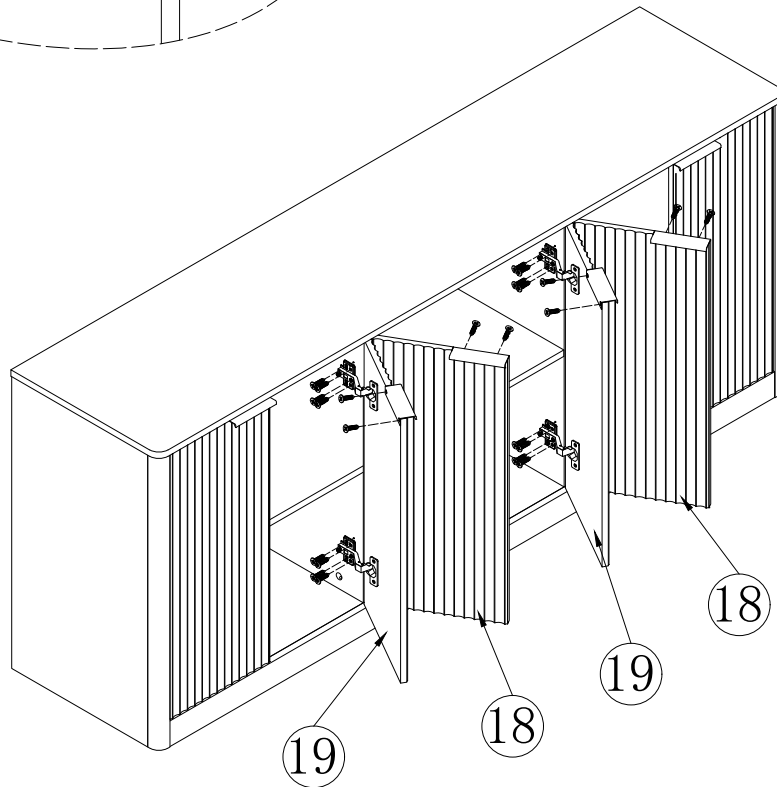
To adjust in width





To adjust in height



To adjust in depth

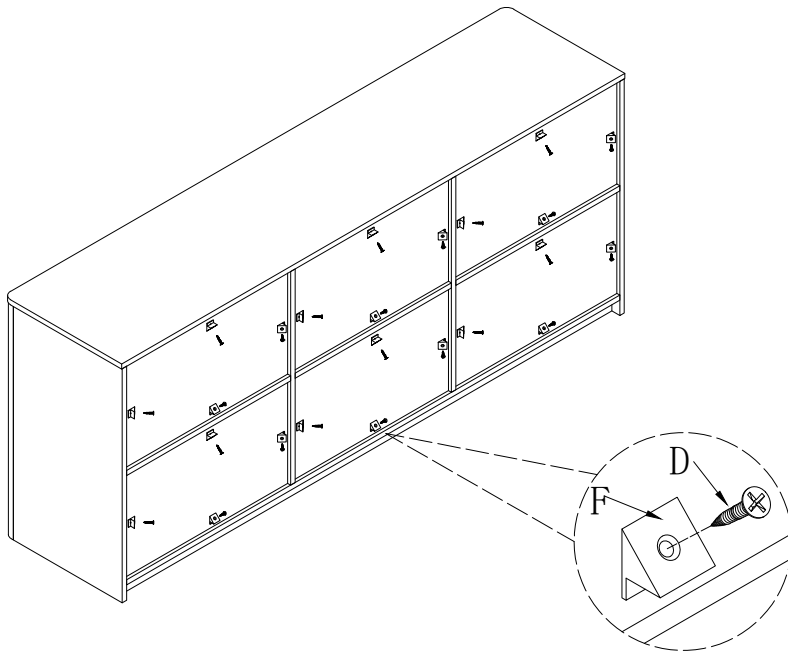


x8



	Hx32pcs
	Gx4sets

Assembly Steps (EN)

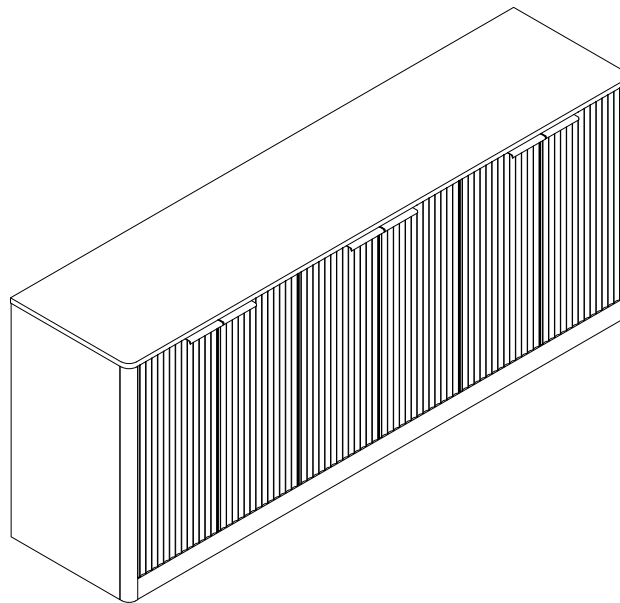
Step 18



Fixed Rear Side

	Dx24pcs
	Fx24pcs

Step 19



Final