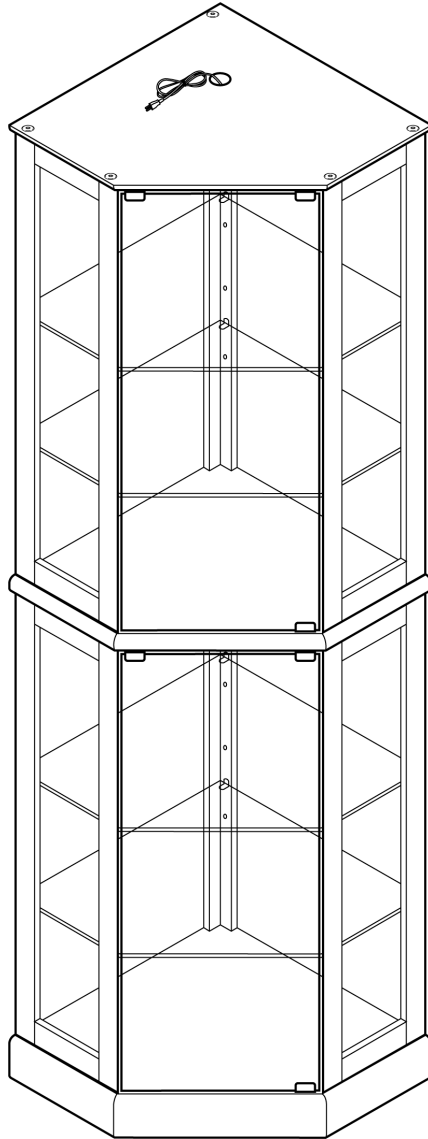


# Curio Cabinet





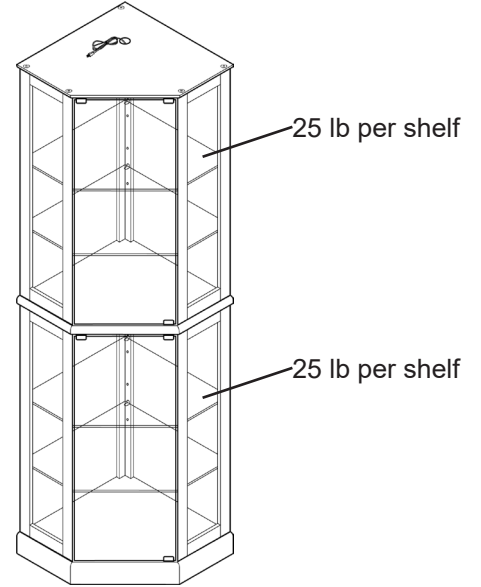
Estimated Time for Assembly

**80 min**

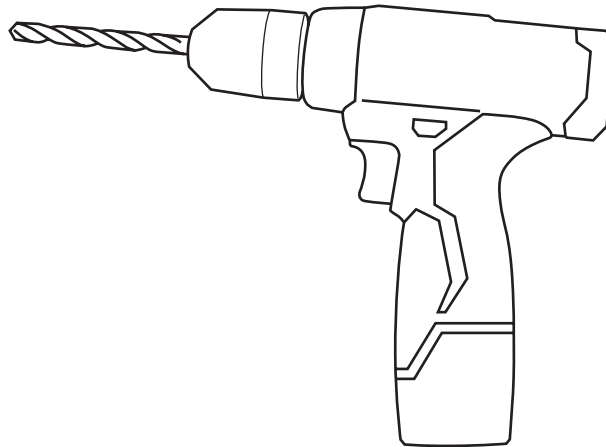
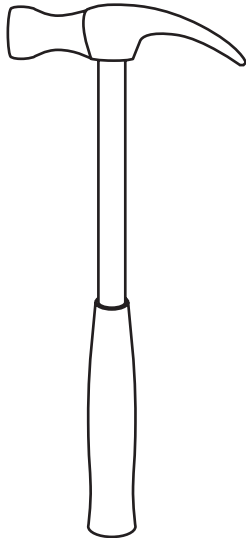
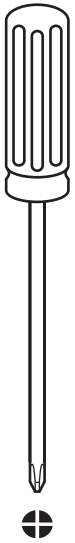


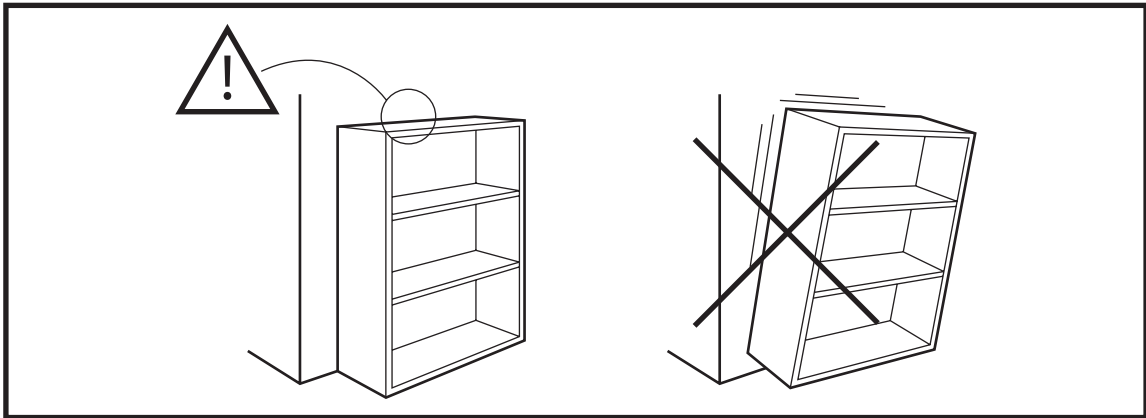
Weight Limitation

**150 lb** overall **25 lb** per shelf



Tools Needed (Not included)

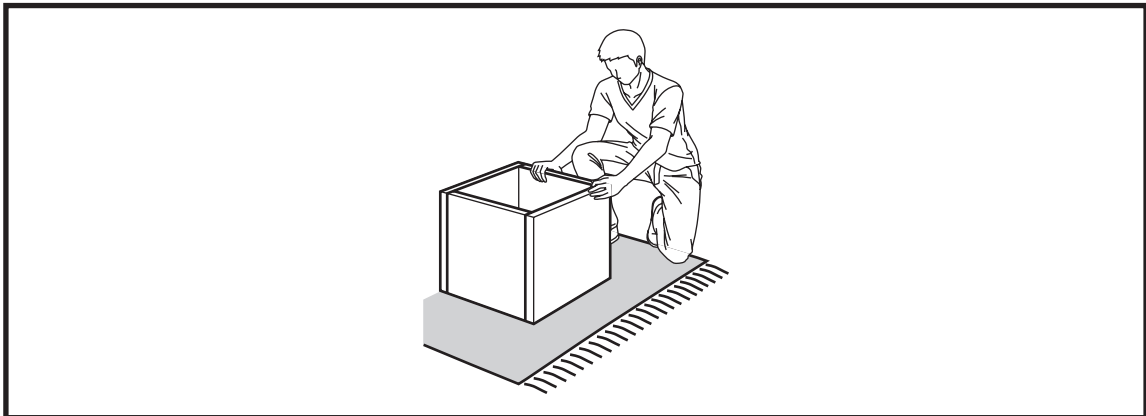




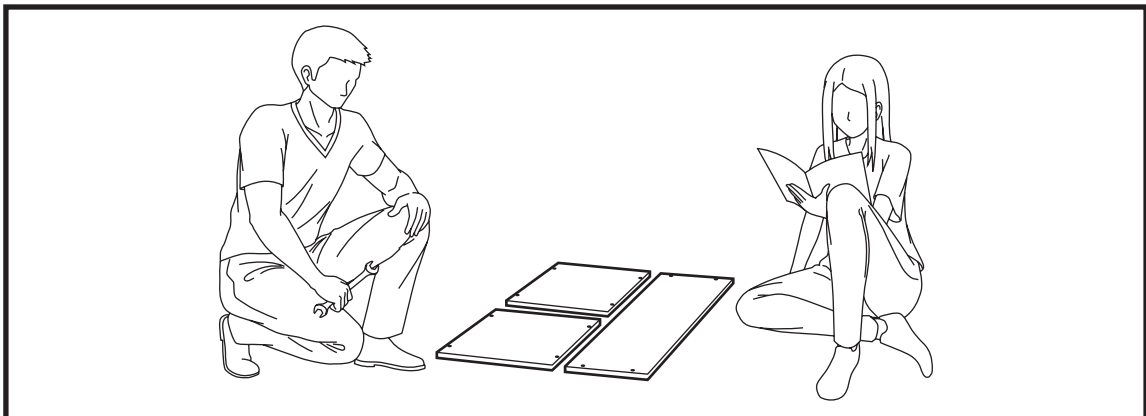
## Warning

Serious or fatal crushing injuries may occur if the furniture tip-over. Furniture must permanently fixed to the wall with included anti-tipping device to prevent the furniture from tipping over.

Different wall materials requires different types of fixing device, Use suitable fixing device to secure the stability and load bearing capacity of the furniture. If you are uncertain about which type of fixing device to use, please contact your local hardware store.



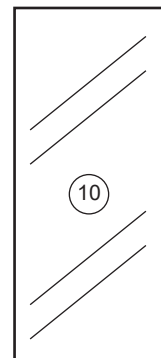
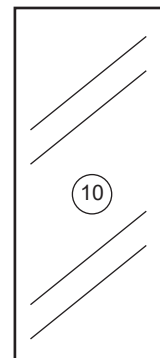
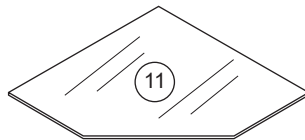
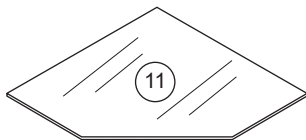
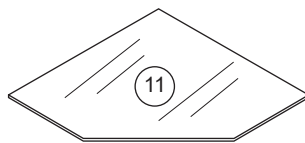
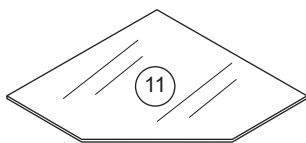
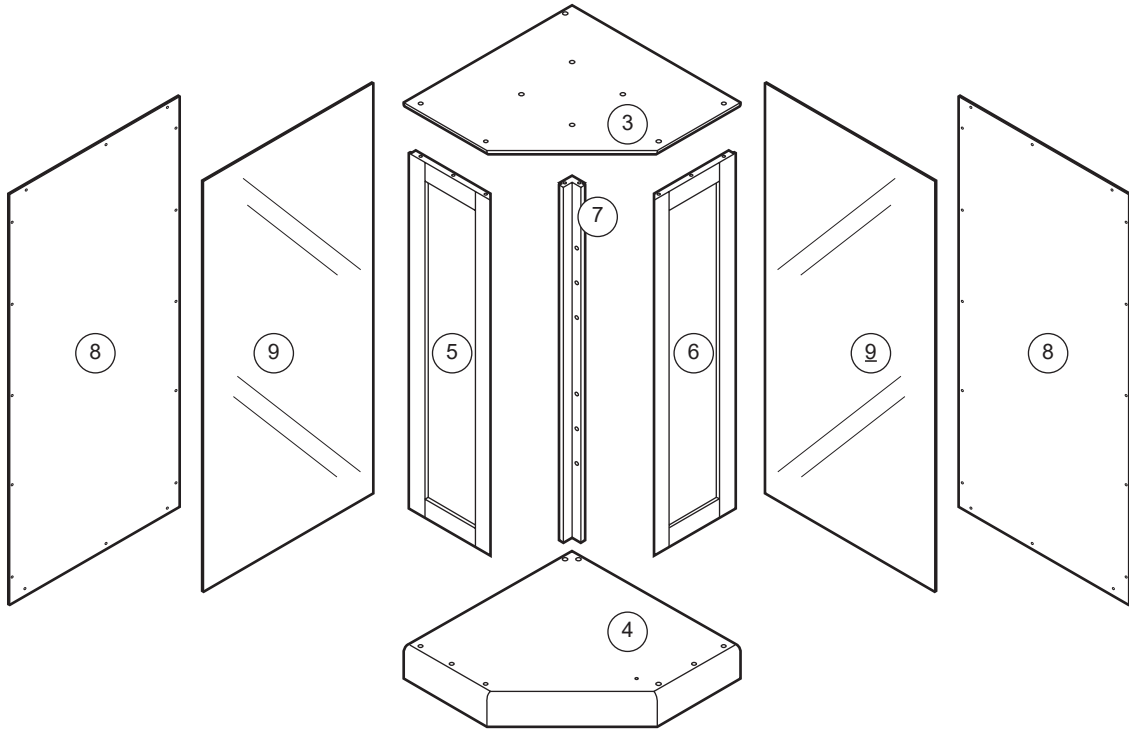
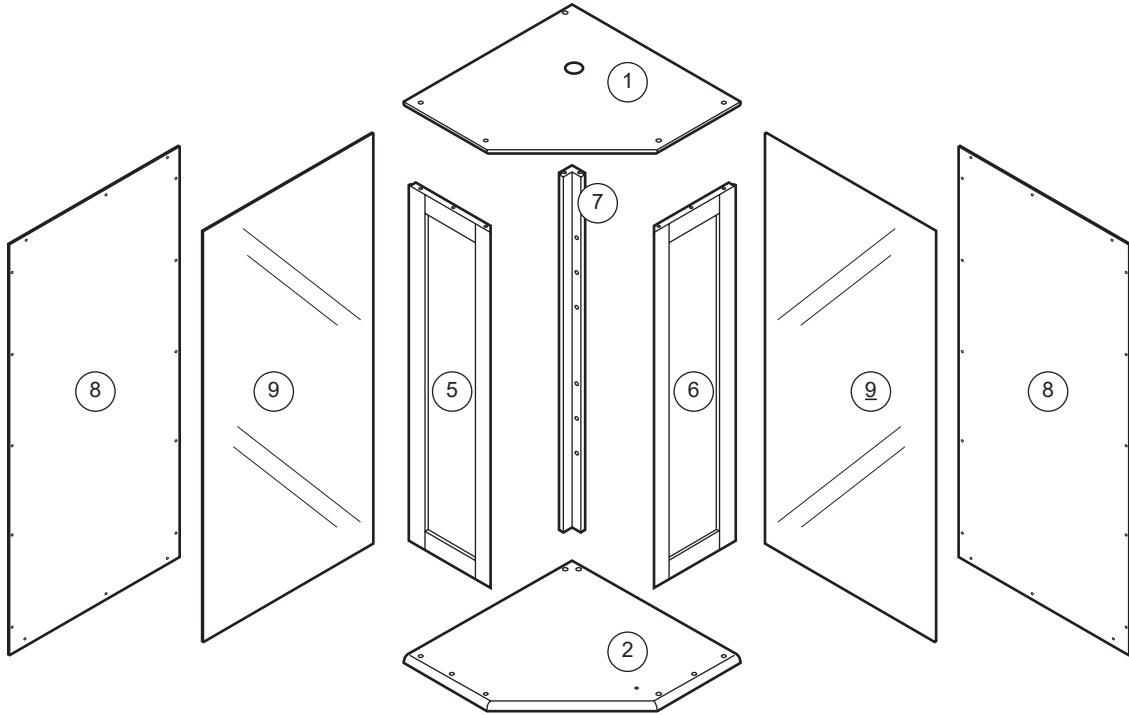
Assembly the furniture on empty carton, carpet, or rug to prevent scratches or damage.



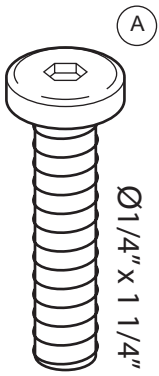
This furniture requires 2 people to assembly.

Make sure no parts are missing or damaged before assembly.

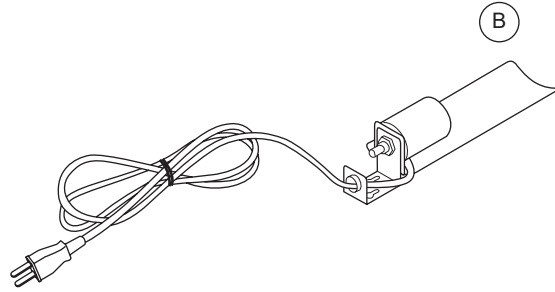
# PACKAGE CONTENT



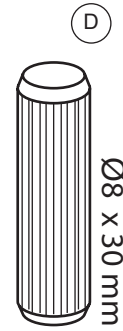
# PACKAGE CONTENT



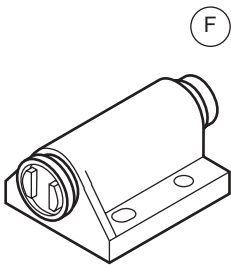
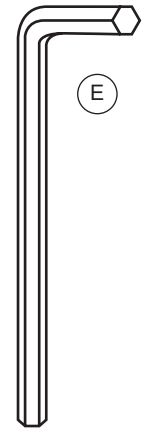
20x + 2



2x



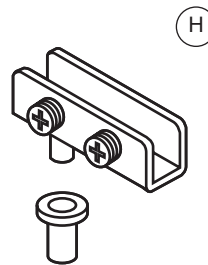
12x + 1



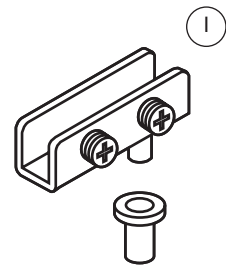
2x



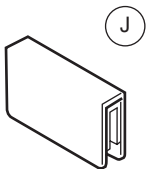
8x + 1



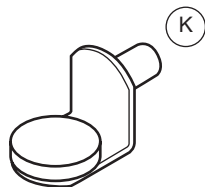
2x



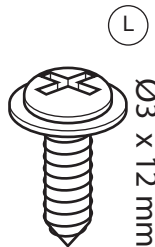
2x



2x



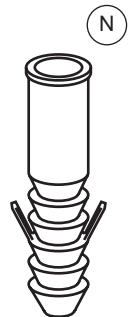
20x + 2



64x + 2



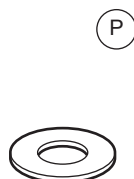
2x



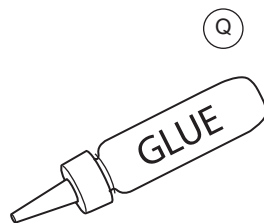
2x



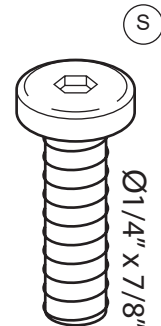
2x



2x

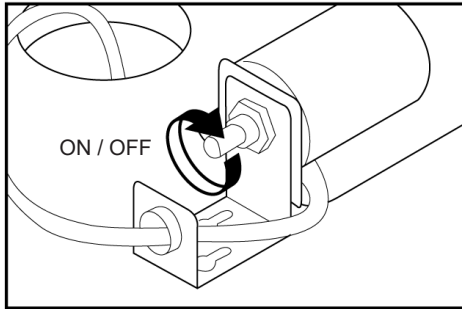
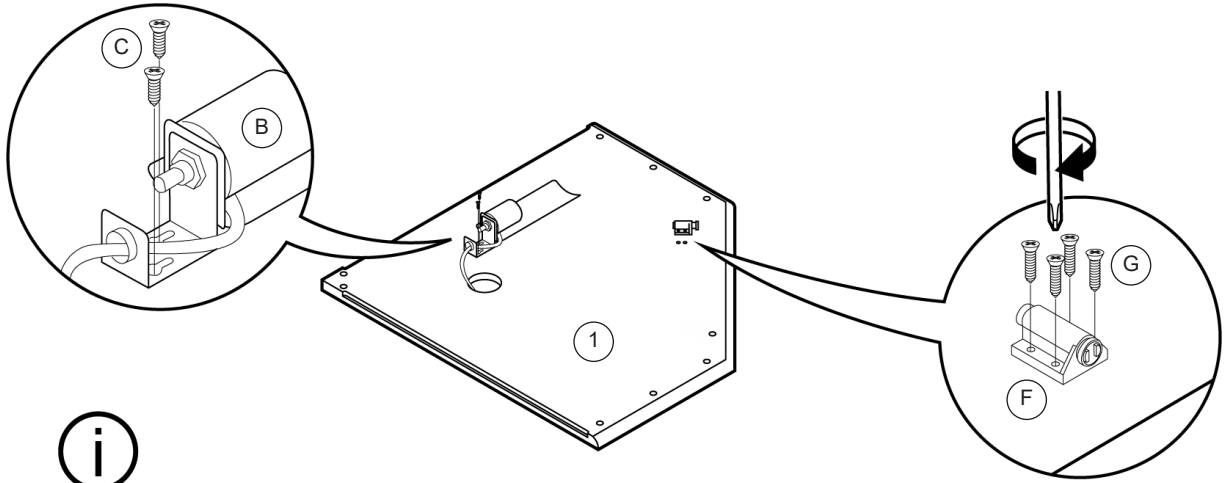


2x



2x

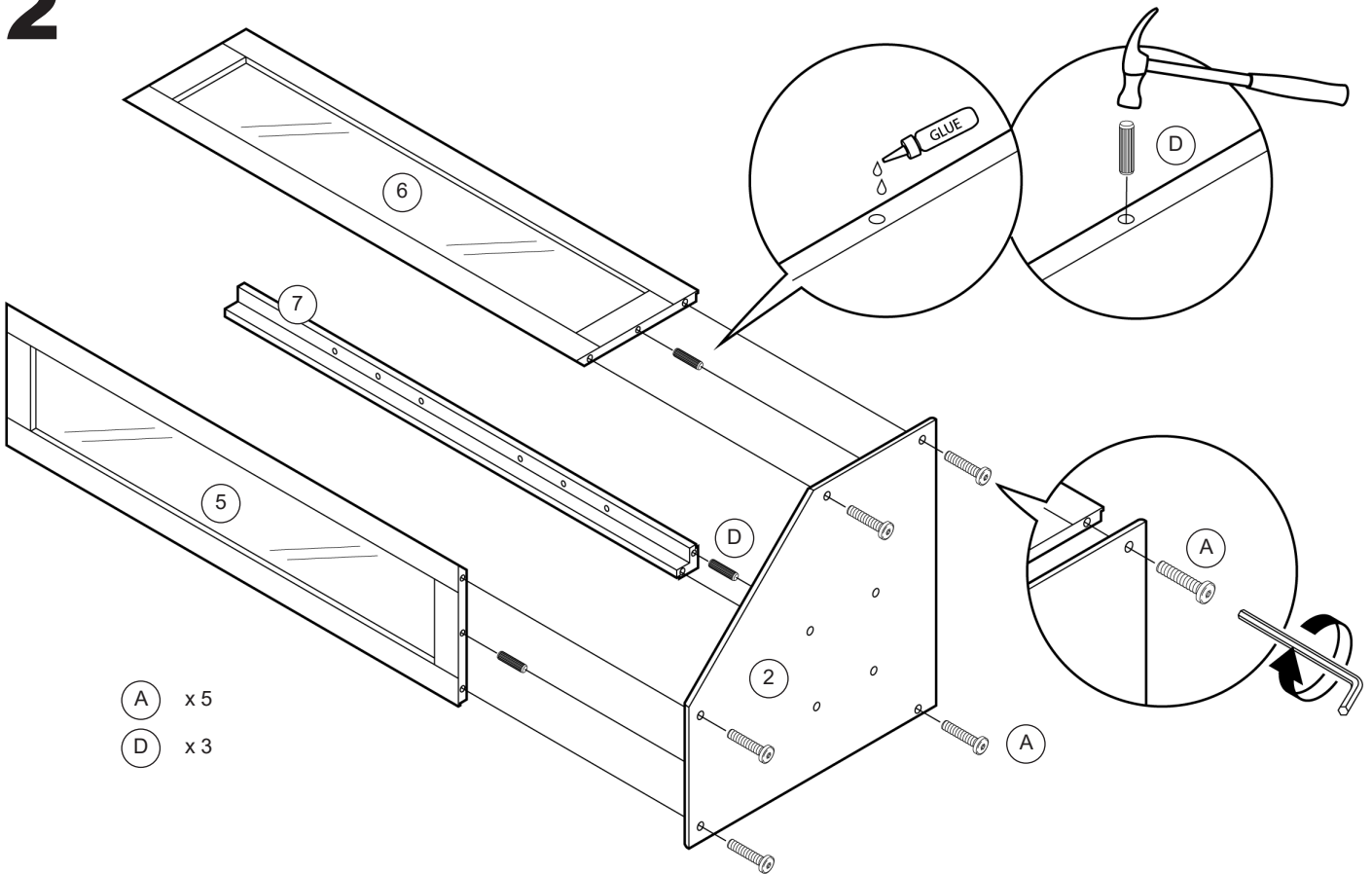
# 1



- (B) x 1
- (C) x 2
- (F) x 1
- (G) x 4

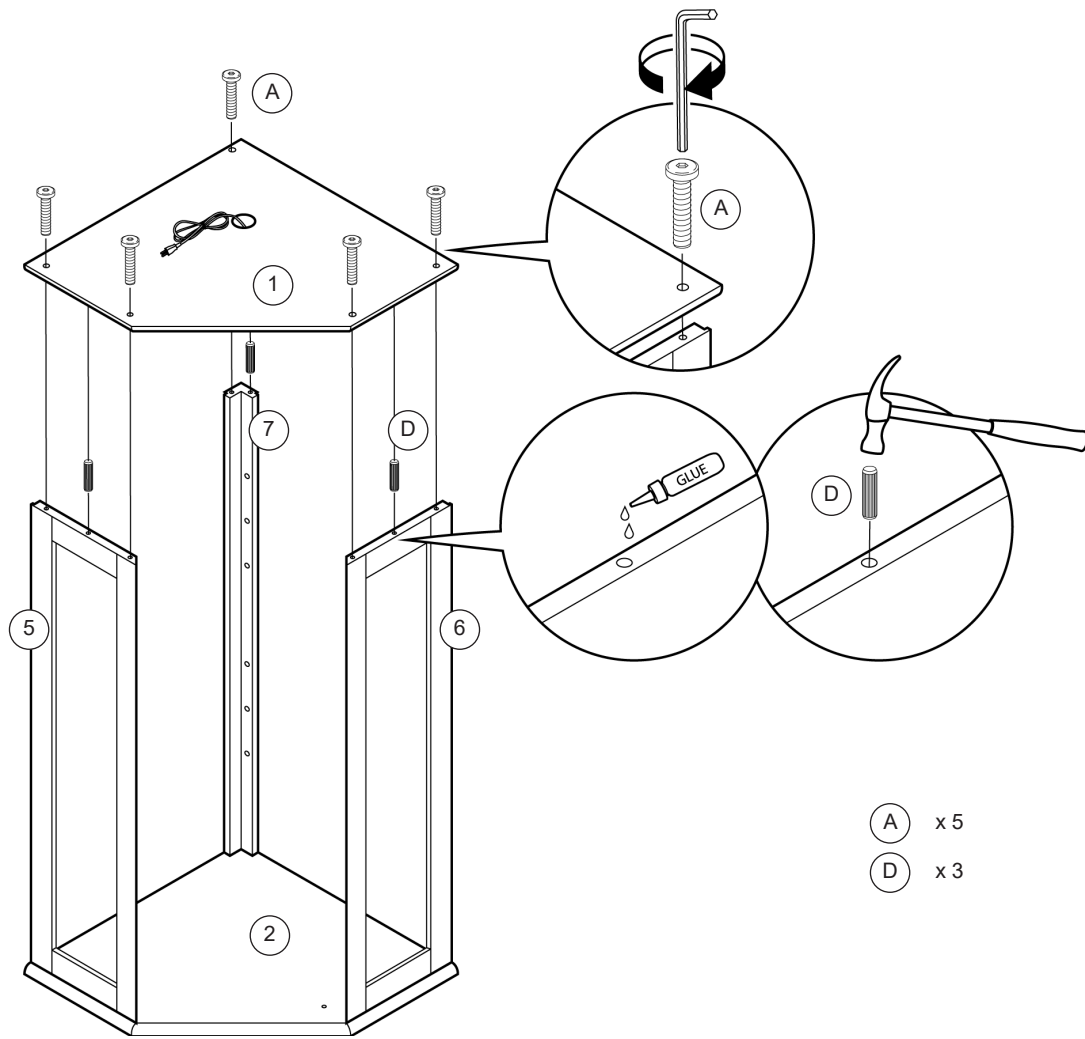
Recommended Light bulb: 120 V 25 W Type T bulb.  
\*Light bulb is not included.

# 2

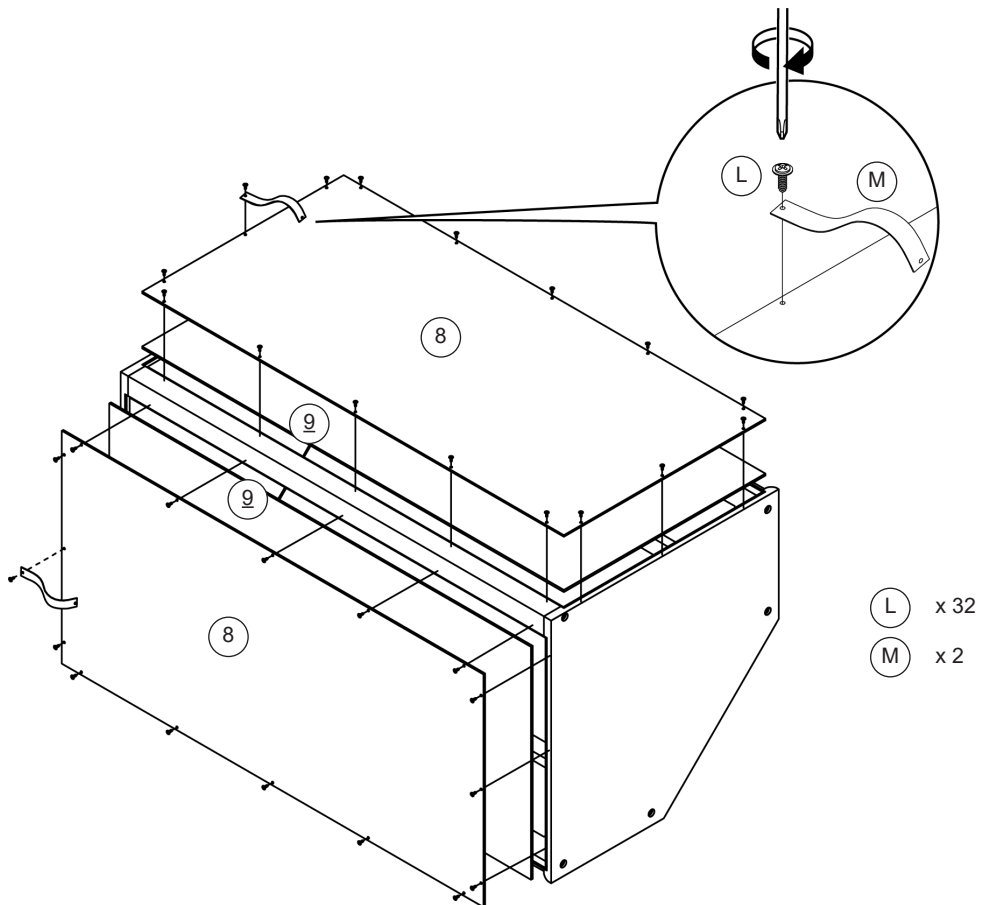


- (A) x 5
- (D) x 3

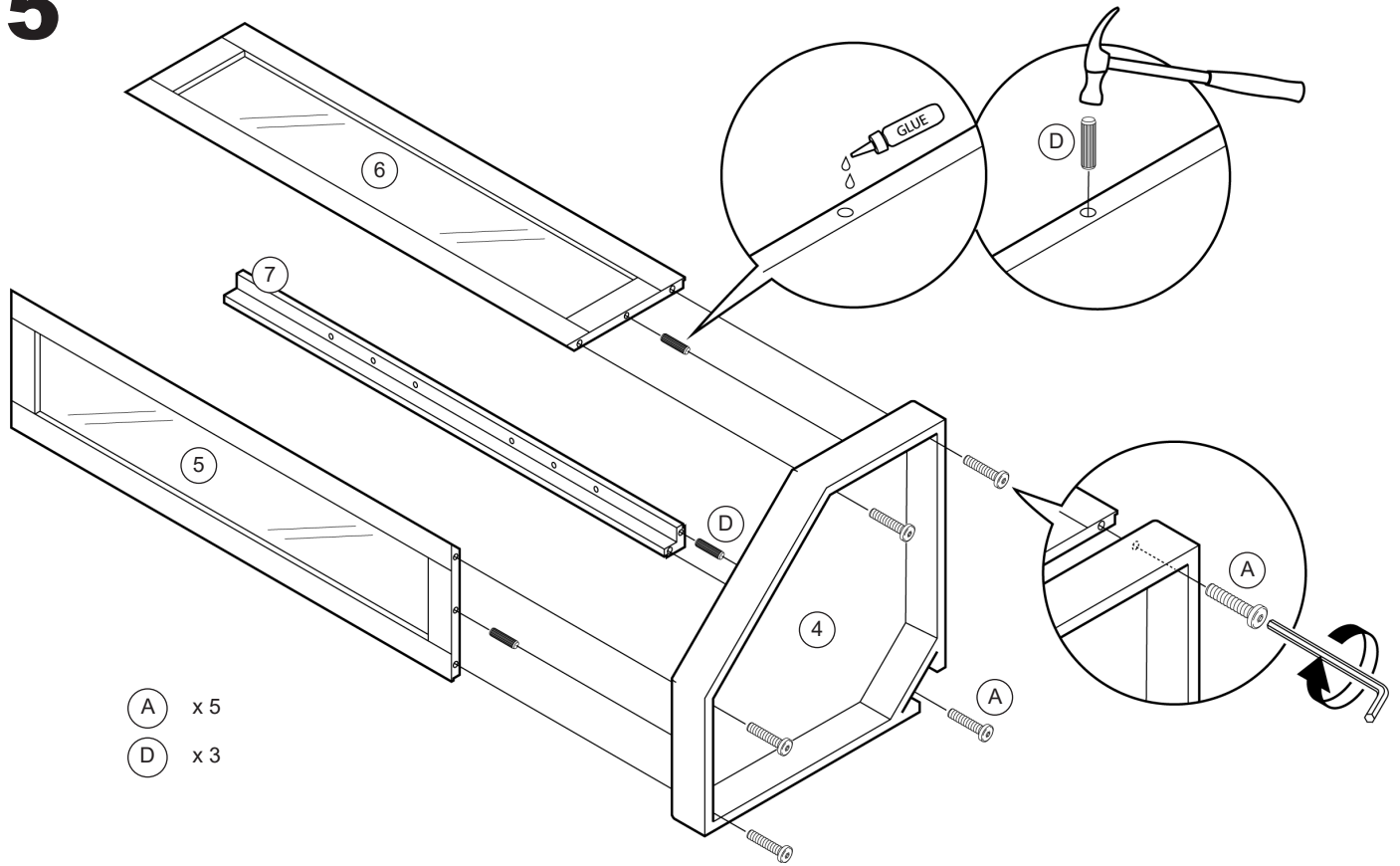
# 3



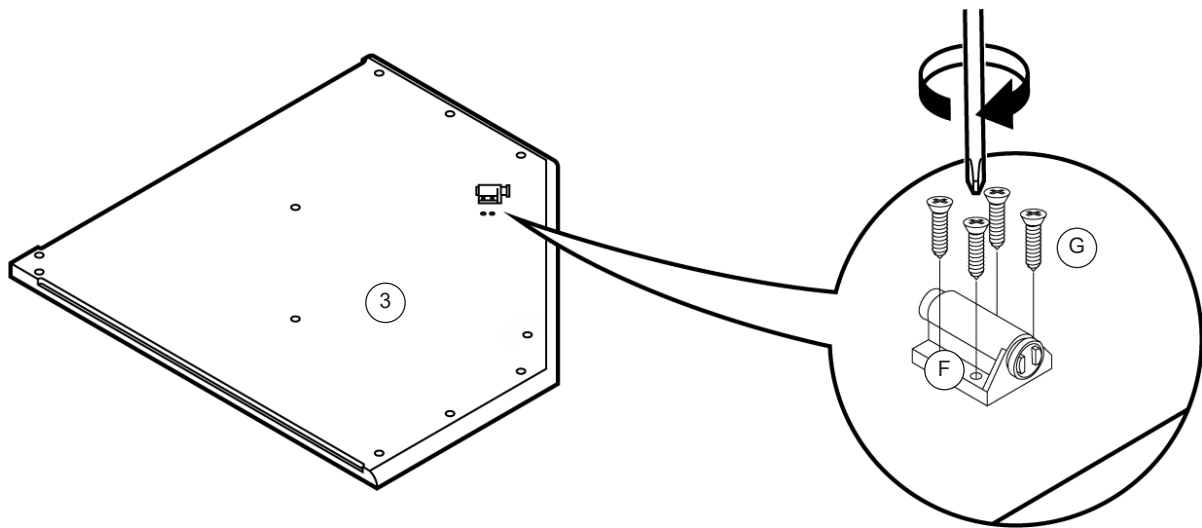
# 4



# 5

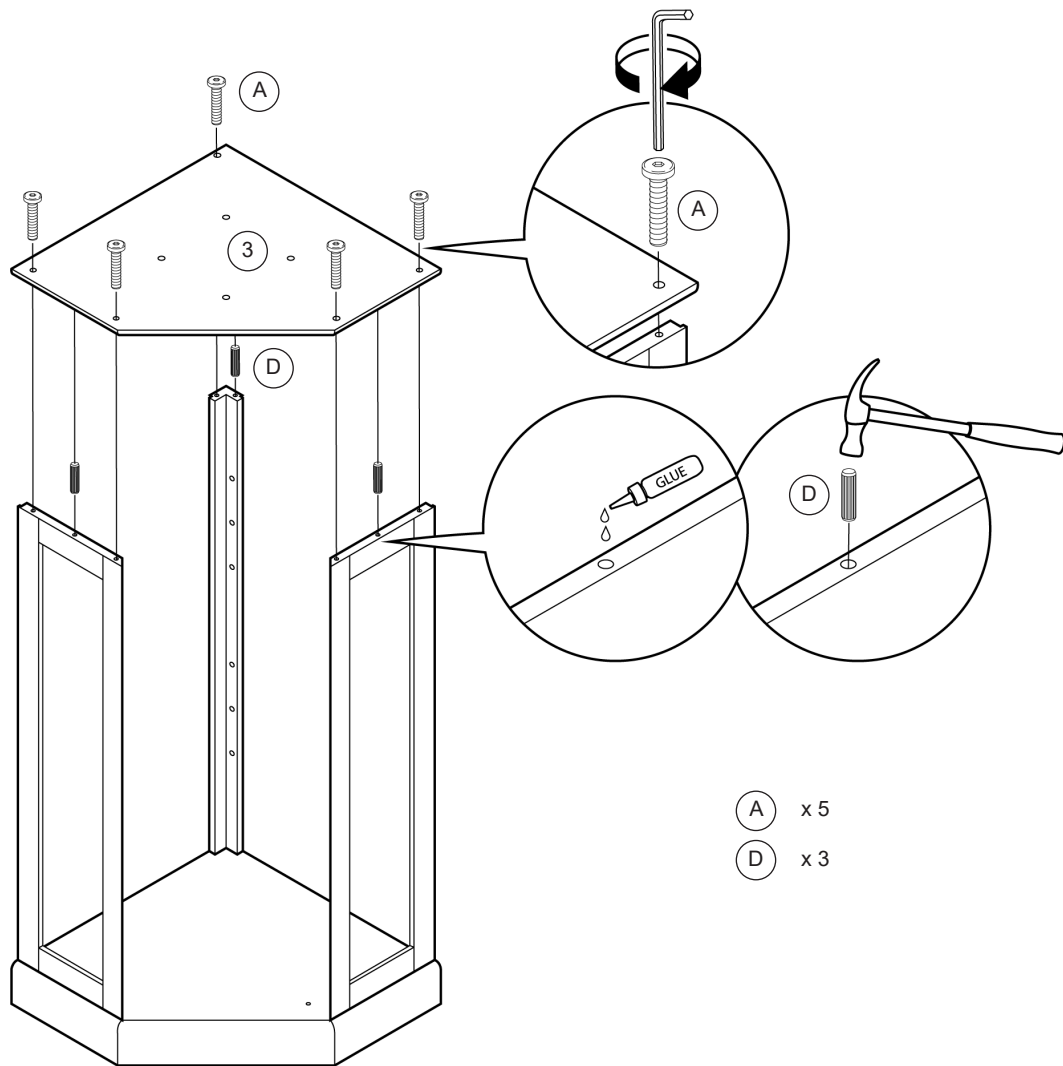


# 6

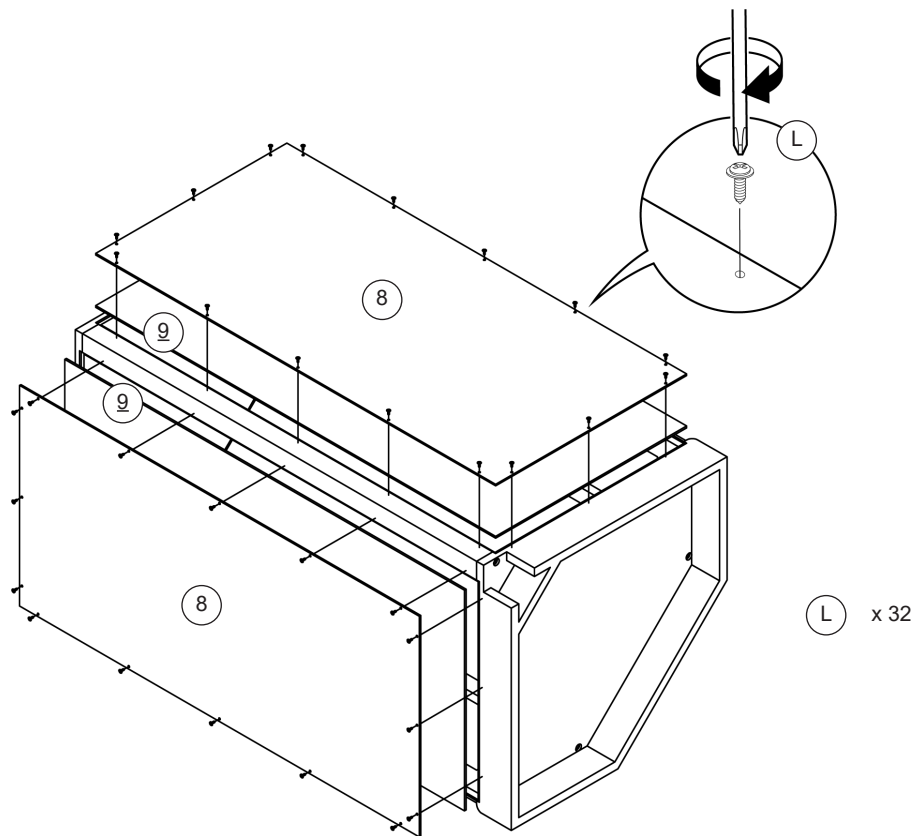


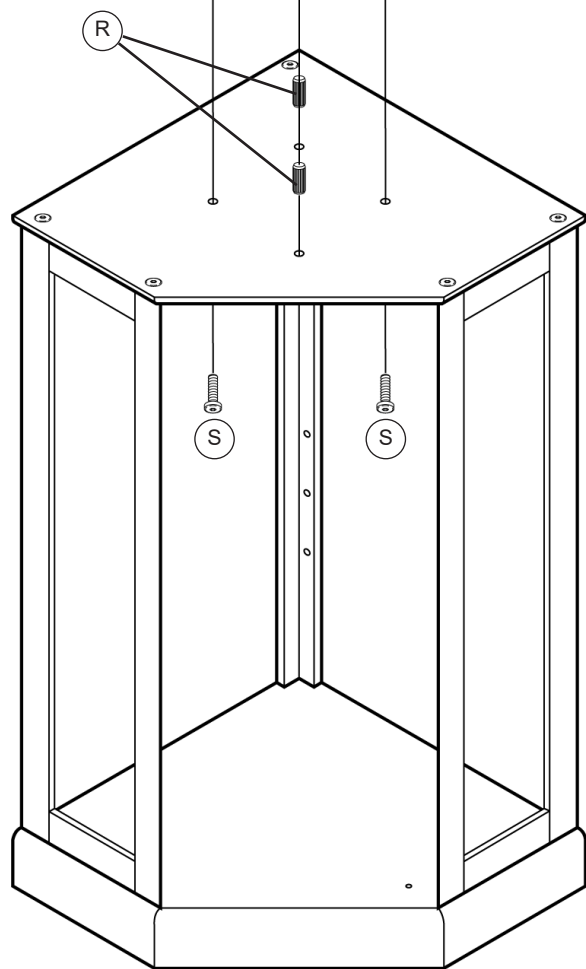
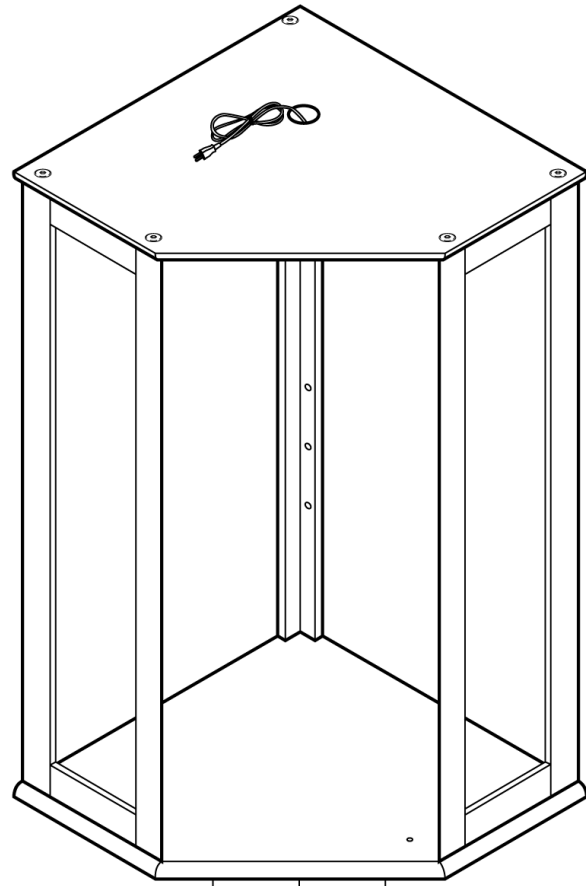
- (F) x 1
- (G) x 4

# 7



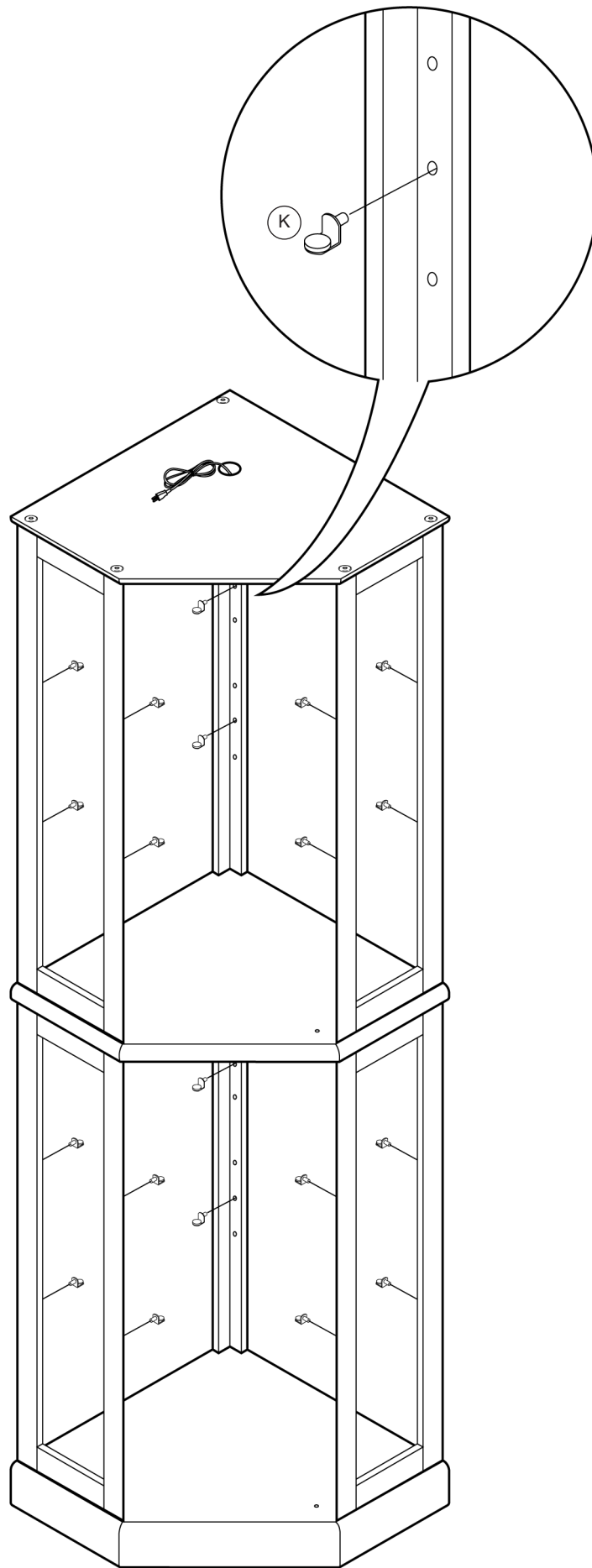
# 8



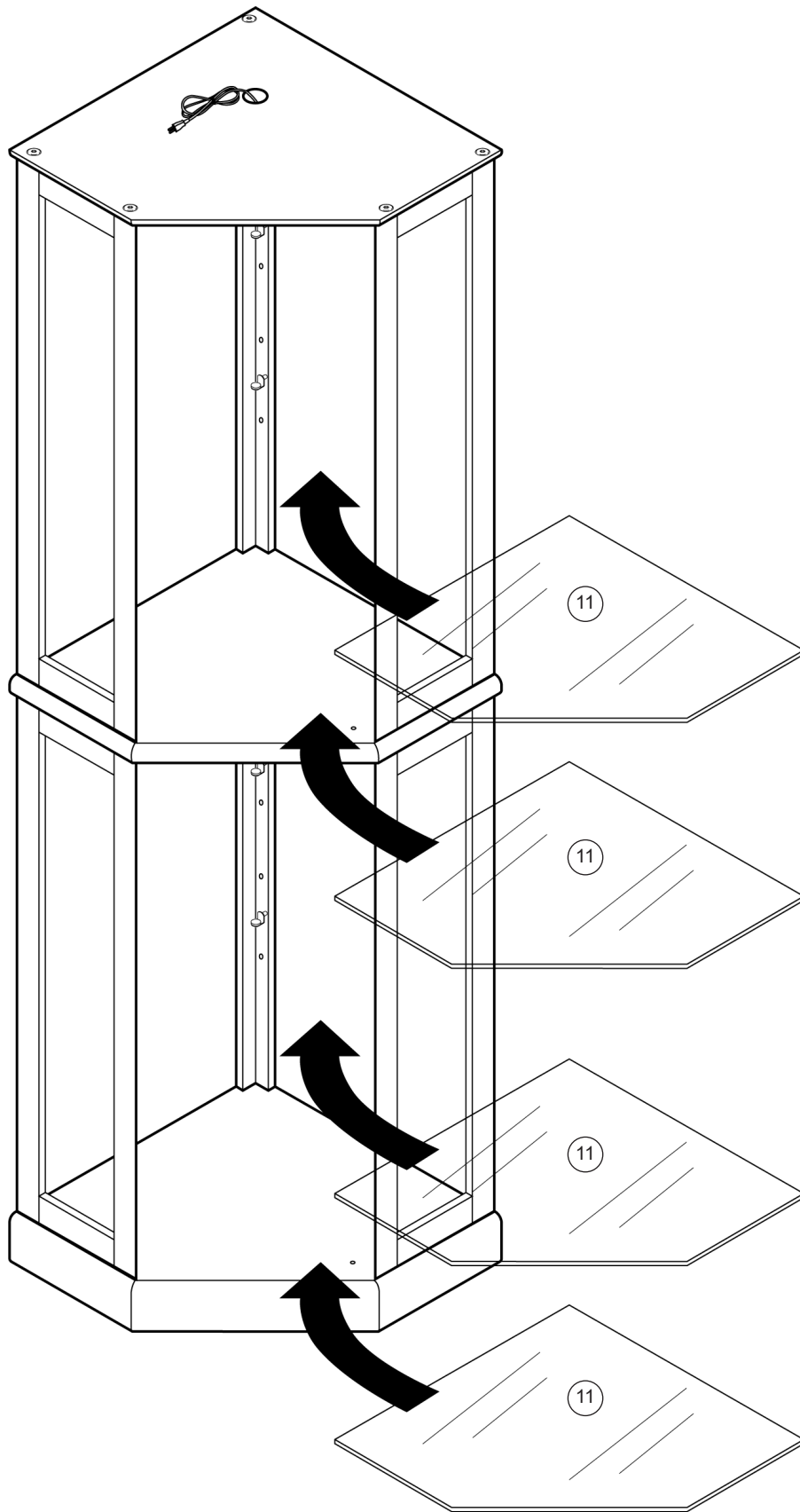


- Ⓡ x 2
- Ⓢ x 2

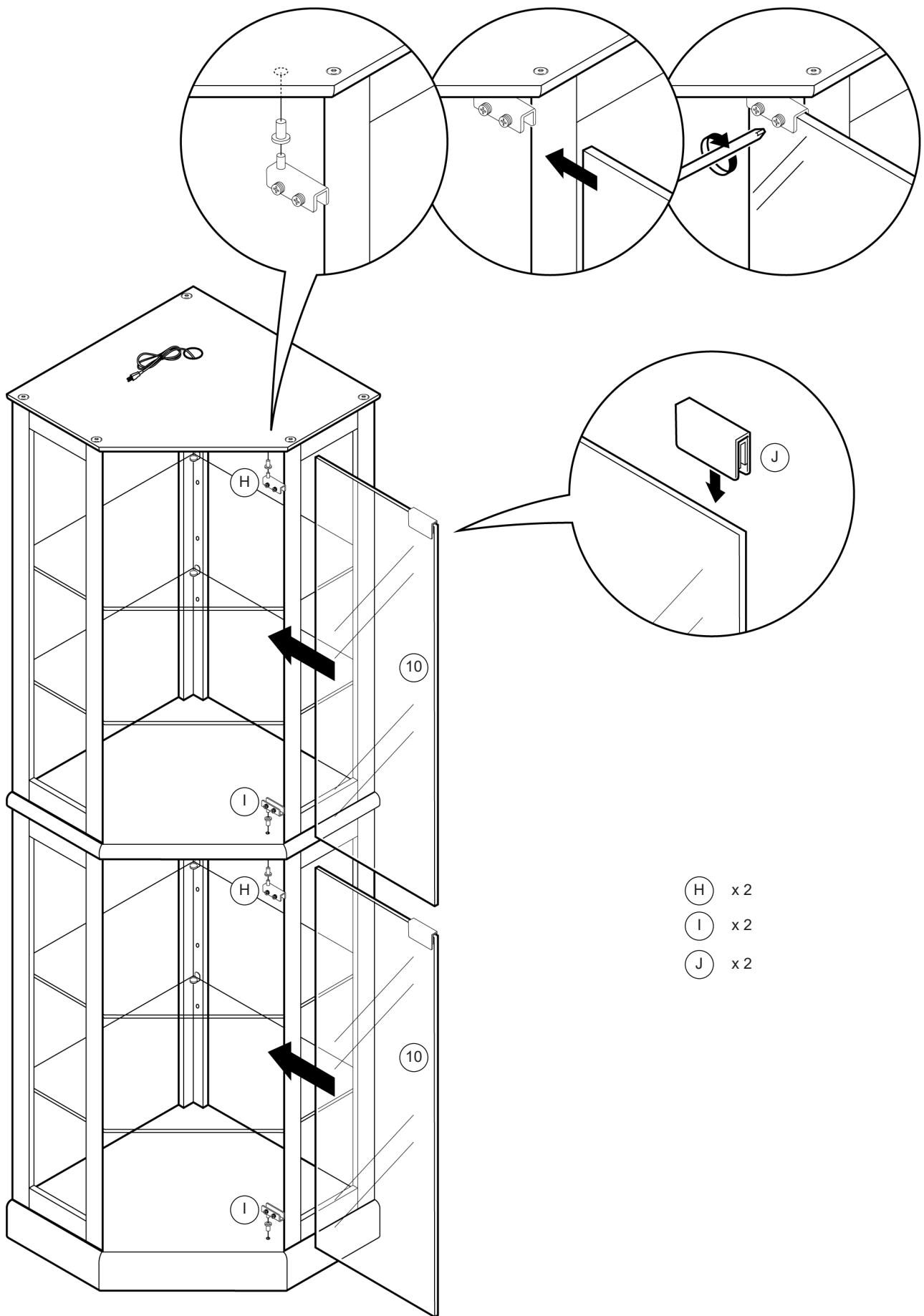
# 10



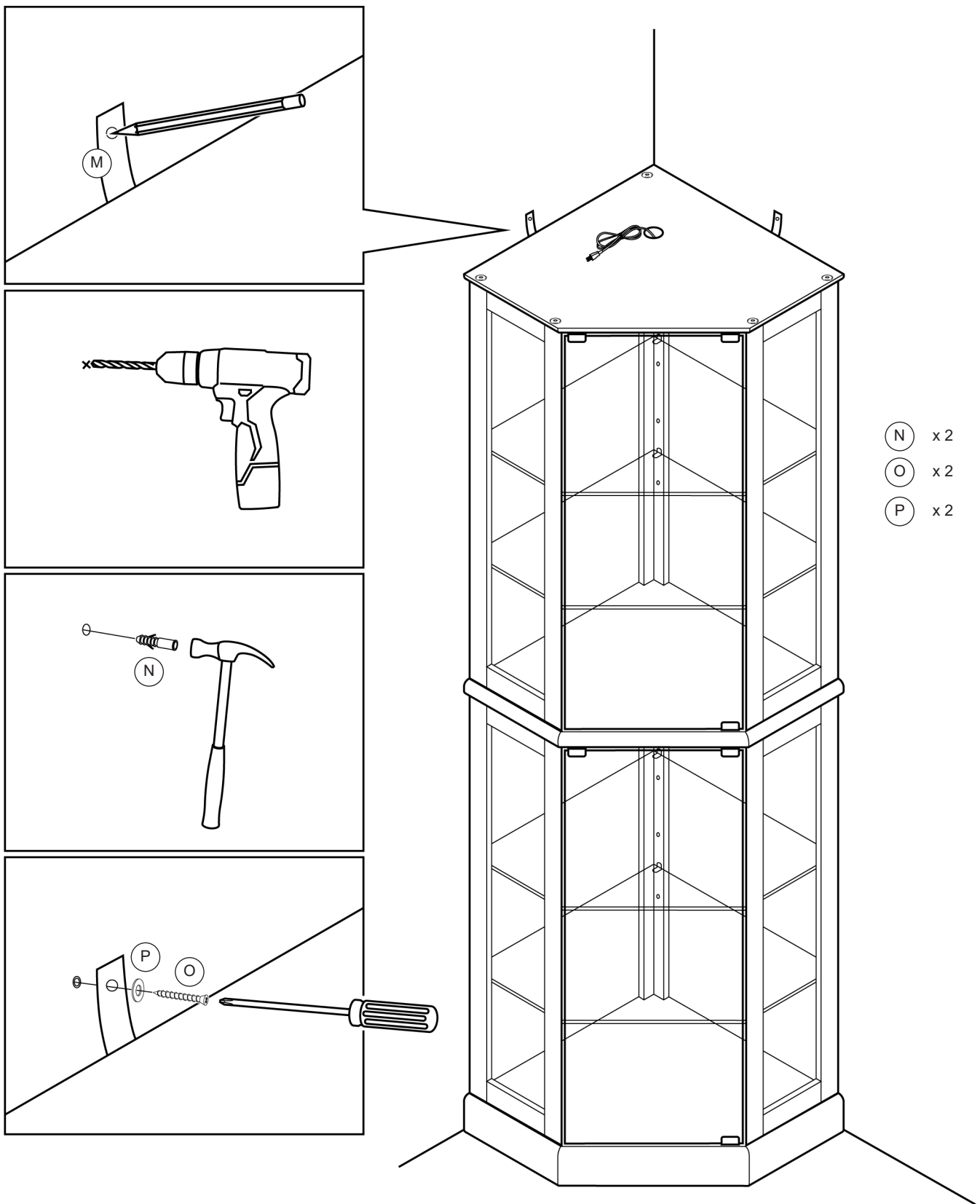
(K) x 20



# 12



# 13



**FINISH!**

## FURNITURE CARE AND MAINTENANCE

Thank you for your purchase. We want your item to last as long as possible. To ensure the product gives you years of service, please refer to this care and maintenance guide.



### MAINTENANCE

- Periodically check all fitting and re-tighten if necessary.
- Keep the metal plated hinges dry to avoid rusting.



### CLEANING

- Wipe the cabinet with a slightly dampened soft cloth, then buff the cabinet with a dry cloth.

⚠ Wipe off any liquid on the furniture. Moisture may cause wood panel to distort or delaminate.

## **Warranty**

Product comes with 1 year warranty from the date of purchased. In any event that the product arrives damaged or missing parts, we are more than happy to provide you with replacement part(s).