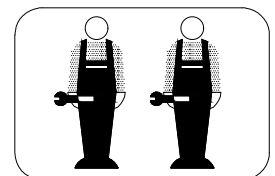
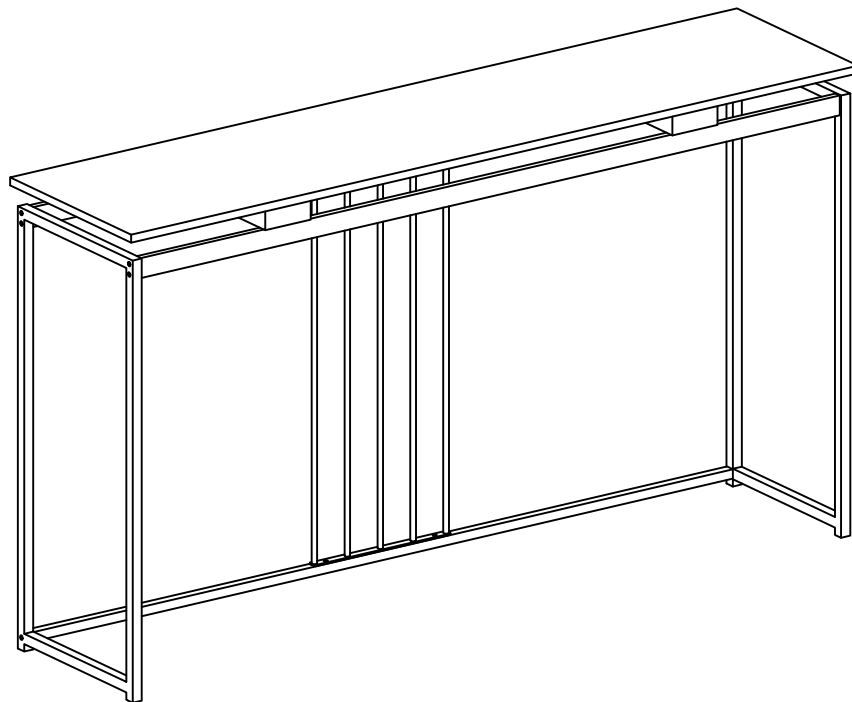
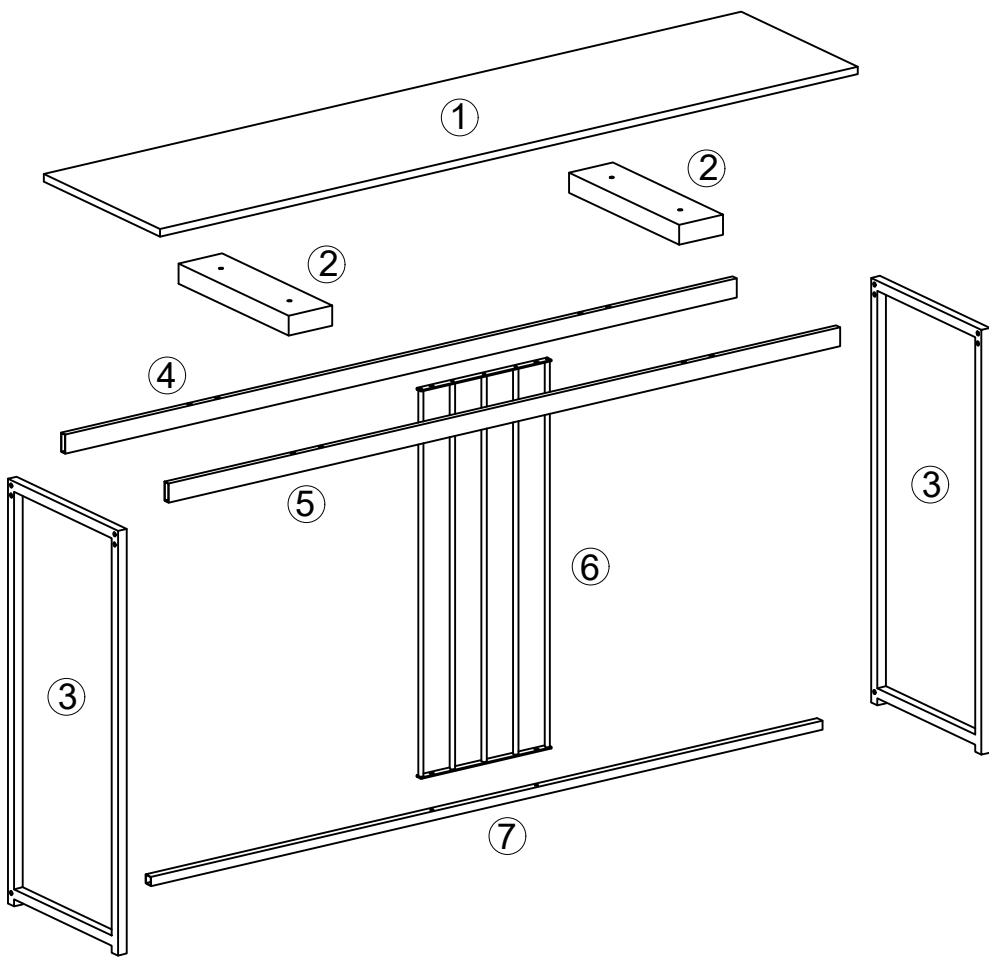



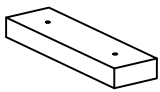
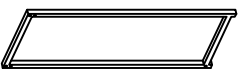
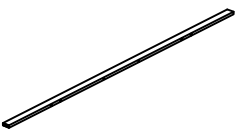
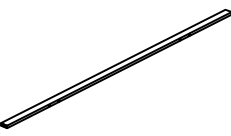
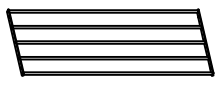

ASSEMBLY INSTRUCTIONS

WF299322

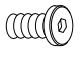
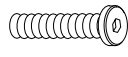
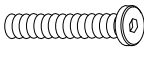


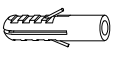





Part List

			
①×1pc	②×2pcs	③×2pcs	④×1pc
			
⑤×1pc	⑥×1pc	⑦×1pc	

Hardware List

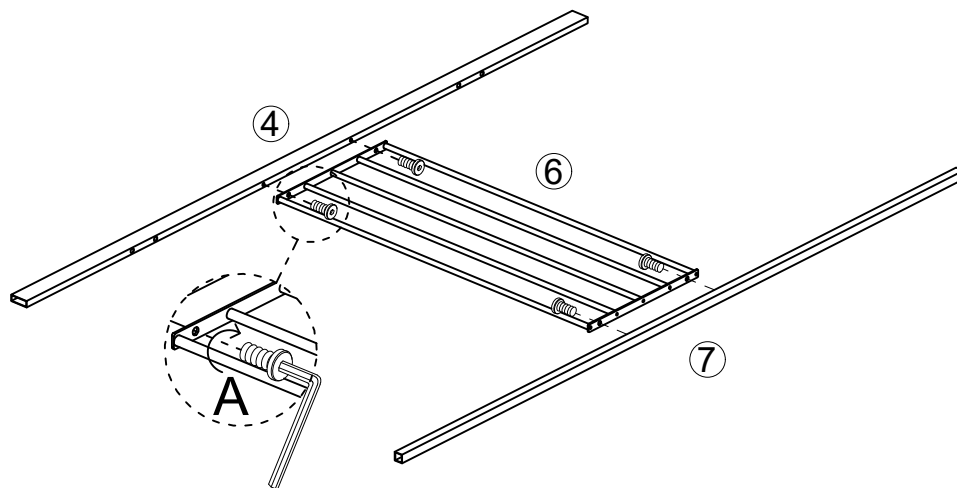
			
M6×12mm	M6×40mm	M6×50mm	
Ⓐ×4pcs	Ⓑ×10pcs	Ⓒ×12pcs	Ⓓ×1pc
			
4*35mm	Φ6*30mm		
Ⓔ×2pcs	Ⓕ×2pcs	Ⓖ×2pcs	

Step 1

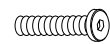


M6×12mm

(A) ×4pcs

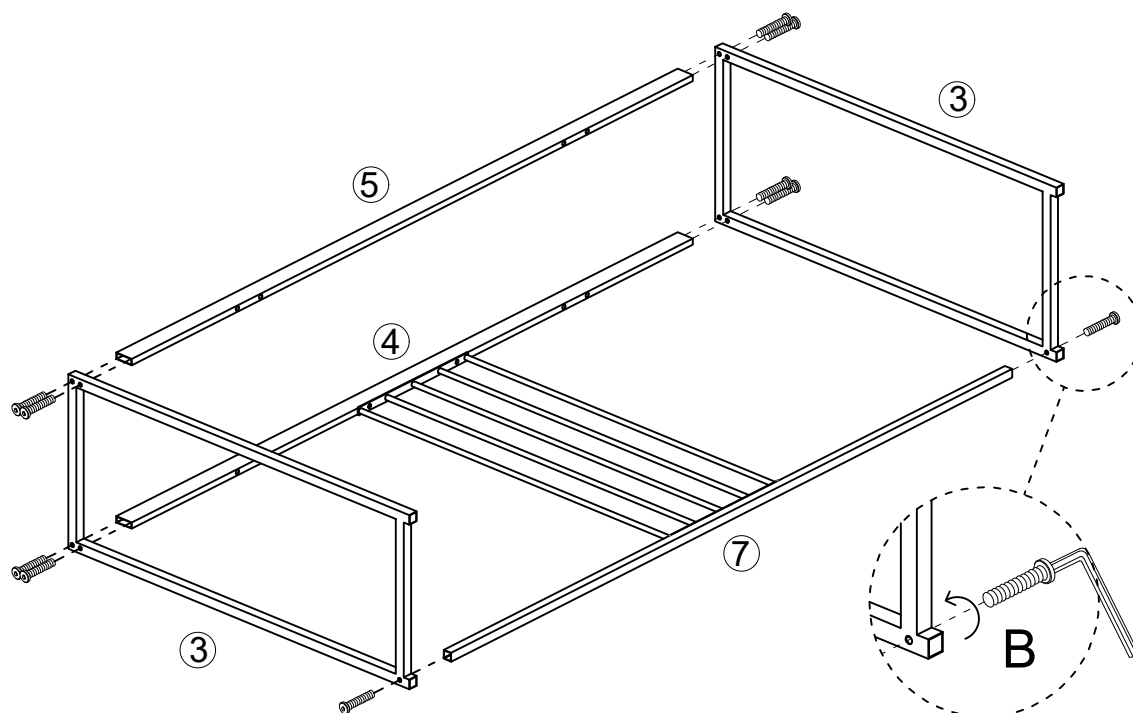


Step 2

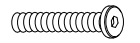


M6×40mm

(B) ×10pcs

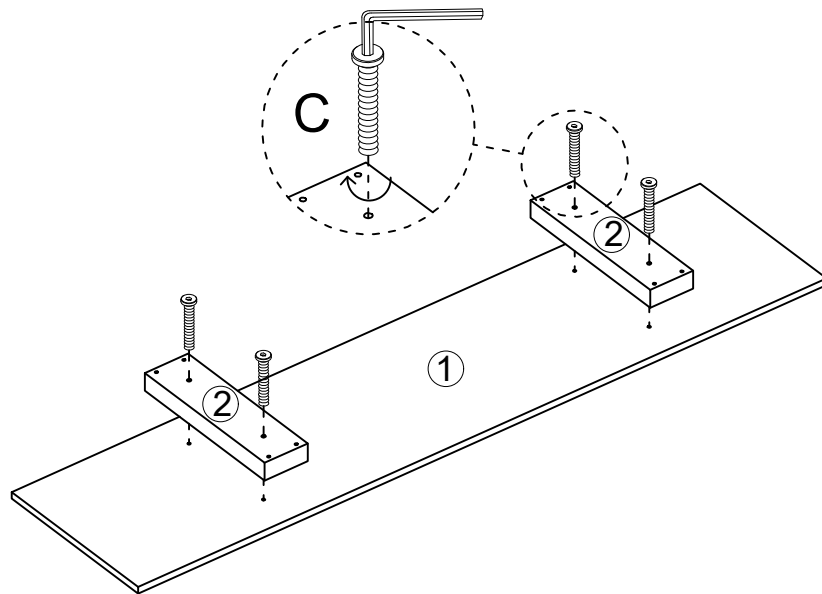


Step 3



M6×50mm

Ⓢ×4pcs

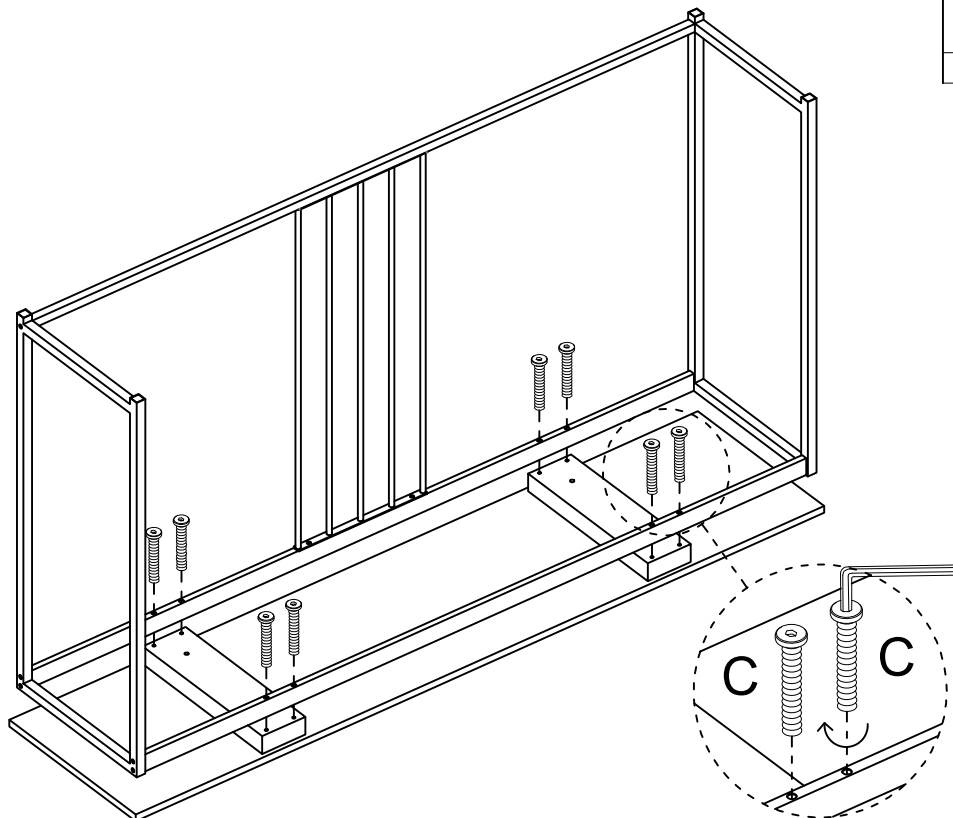


Step 4



M6×50mm

Ⓢ×8pcs



Step 5



4*35mm

Ⓔ × 2 pcs



Φ6*30mm

Ⓕ × 2 pcs



Ⓖ × 2 pcs

