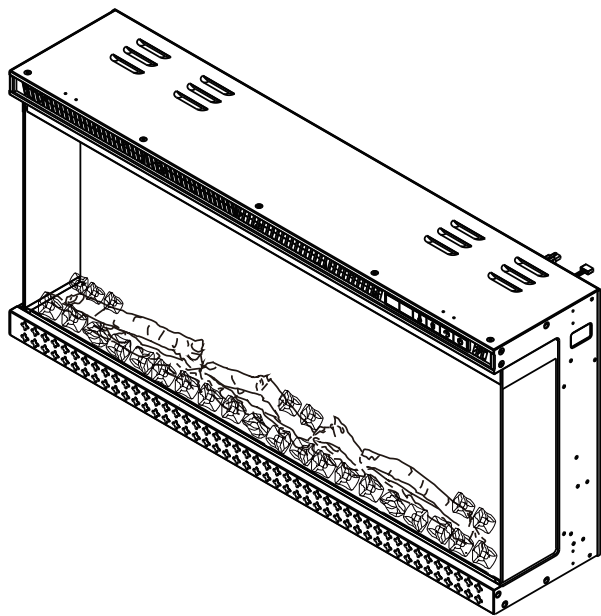


INSTRUCTION MANUAL

ELECTRIC FIREPLACE



CONSUMER SAFETY INFORMATION

- Read this manual before installing and operating this appliance
- Failure to follow these instructions may result in electric shock, fire property, or personal injury
- Do not store or use gasoline or other flammable liquids in vicinity of this appliance.

IMPORTANT SAFETY INFORMATION!



WARNING



- Read all instructions before using this heater!
- This heater is hot when in use. To avoid burns, **DO NOT** let bare skin touch hot surfaces. If provided, use handles when moving this heater. Keep combustible materials, such as furniture, pillows, bedding, papers, clothes, and curtains at least 3 feet (0.9m) from the front of the heater, and keep them away from the sides and rear.
- Extreme caution is necessary when any heater is used by or near children or invalids and whenever the heater is left operating and unattended.
- **DO NOT** operate any heater with a damaged cord or plug or after the heater malfunctions, has been dropped or damaged in any manner, Discard heater, or return to authorized service facility for examination and /or repair.
- **DO NOT** run power cord under carpeting. **DO NOT** cover power cord with throw rugs, runners, or similar coverings. **DO NOT** route power cord under furniture or appliances. Arrange power cord away from traffic area, and where it will not be tripped over.



WARNING

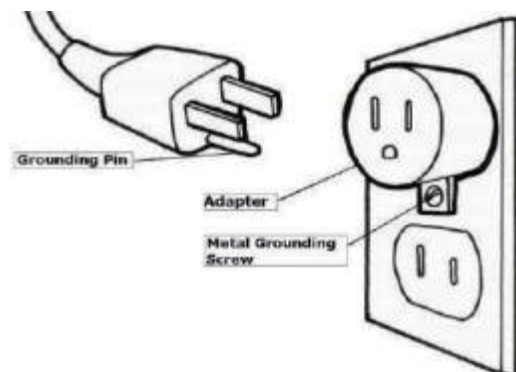


- Connect to properly grounded outlets **ONLY**.
- **DO NOT** insert or allow foreign objects to enter any ventilation or exhaust openings, as this may cause electric shock or fire, or damage the heater.
- To prevent a possible fire, **DO NOT** block air intakes or exhaust in any manner. Doing so could cause a fire. **DO NOT** use on soft surfaces, like a bed, where openings may become blocked.
- A heater has hot and arcing or sparking parts inside. **DO NOT** use it in areas where gasoline, paint, or flammable liquids are used or stored.
- Use this heater only as described in this manual. Any other use not recommended by the manufacturer may cause fire, electric shock, or injury to persons.
- **ALWAYS** plug heaters directly into a wall outlet/receptacle. Never use with an extension cord or relocatable power tap (outlet/power strip).
- **DO NOT** place the heater near a bed because objects such as pillows or blankets can fall off the bed and be ignited by the heater.
- **NEVER** use this heater in bathrooms, laundry rooms, or any other location where the heater could fall into a bathtub or pool, become damp or come in contact with water.
- **AVOID FIRE!** Regularly inspect all air vents to make sure they are free from dust, lint, or other

Blockage.Unplug the unit and clean with a vacuum **ONLY**. **DO NOT** rinse or get wet.

- **ALWAYS** mount to wall bracket(or recessed to wall / or install free standing legs) before use. **DO NOT** set on the floor, or other surface, to use.
- **NEVER** use a wall mount bracket from another manufacturer.
- This product is not intended to be a primary heat source. It is for supplemental heat only.
- **INDOOR** use only! **NEVER** use this heater outdoors! Doing so may result in electric shock!
- Risk of electric shock! **DO NOT OPEN!** No user-serviceable parts inside!
- **ALWAYS** turn this heater off before unplugging it from the outlet.
- **ALWAYS** disconnect this unit from the power supply before performing any assembly or cleaning, or before relocating the electric fireplace.
- **NEVER** leave this heater unattended. **ALWAYS** unplug this heater when not in use.
- **ALWAYS** store this heater in a dry location.**NEVER** use the fireplace if it has become wet.
- **NEVER** plug this heater into an outlet that is old, cracked, or has any loose wires or connections. Plugging this heater into a faulty outlet could result in electric arcing within the outlet that could cause the outlet to overheat or catch fire.
- **ALWAYS** check your heater cord and plug connections with each use!
 - i) **MAKE SURE** the plug fits tight in the outlet! Faulty wall outlet connections or loose plugs can cause the outlet to overheat.
 - ii) Heaters draw more current than small appliances. Overheating may occur even if it has not occurred with the use of other appliances.
 - iii) During use check frequently to see if the plug outlet or face plate is **HOT!**
 - iv) If the outlet or face plate is **HOT**, discontinue use immediately and have a qualified electrician inspect and/or replace the faulty outlets.

- The power cord supplied with the heater has a plug with two flat blades (live and neutral) and one round pin (ground). If a 3-slot receptacle is not available, an adapter **MUST** be used. The adapter **MUST** be properly grounded to the outlet box (see figure at right).(Note:Adapter **NOT** INCLUDED.)



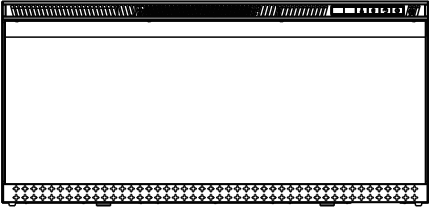


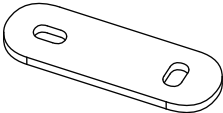


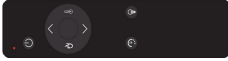
- **SAVE THESE INSTRUCTIONS!**

PREPARATION

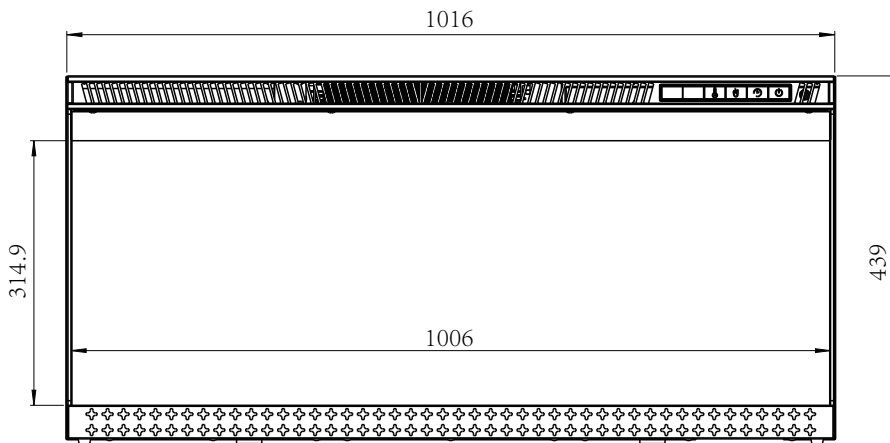


This product includes a GLASS panel! Always use extreme caution when handling glass. Failure to do so could result in personal injury or property damage.

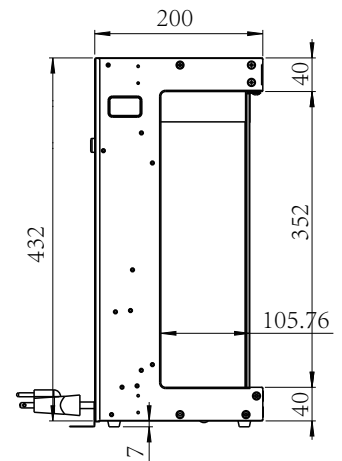
Remove all parts and hardware from the carton and place them on a clean, soft, dry surface. Parts and assembly steps are grounded for wall-hanging or recessing use. Check the parts list to make sure nothing is missing. Dispose of packaging materials properly. Please recycle whenever possible. You will need the following tools (not included): Phillips screwdriver; stud finder; level; tape measure; electric drill; 1/4" wood drill bit, hammer.

A Fireplace  1PC	B 4X25MM Screw  4PCS	C 4X12MM Screw  12PCS	
D fasten bracket  4PCS	E Crystal stone  1 BAG	F Carbon log  1 BOX	H Remote Control  1PCS

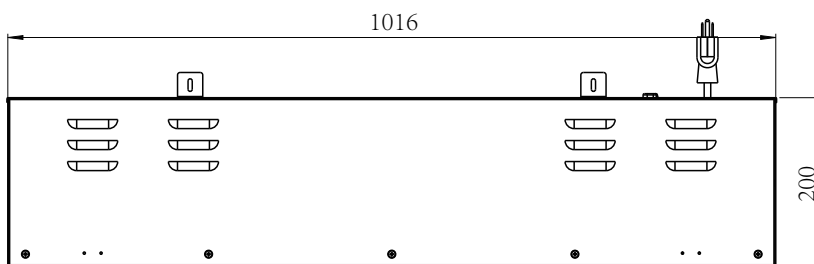
Specification and Dimension



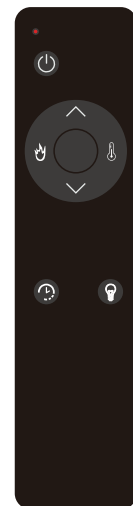
Front View



Side View



Top View



Remote Control

PRODUCT ASSEMBLY

FREESTANDING INSTALLATION

1

Remove four pcs of black screws out of appliance , please see Fig.1

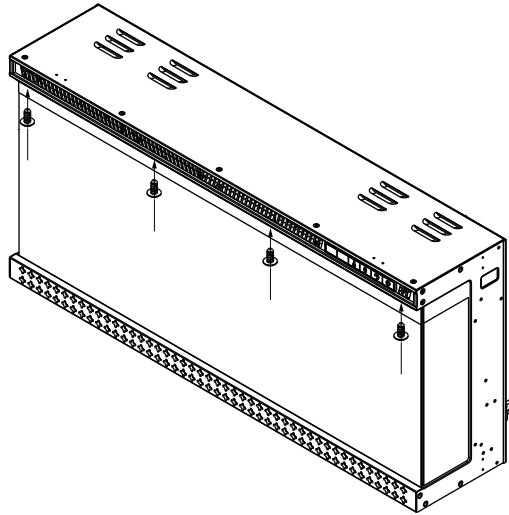


Fig1

2

Take and pull up the front tempered glass out off appliance . See Fig.2

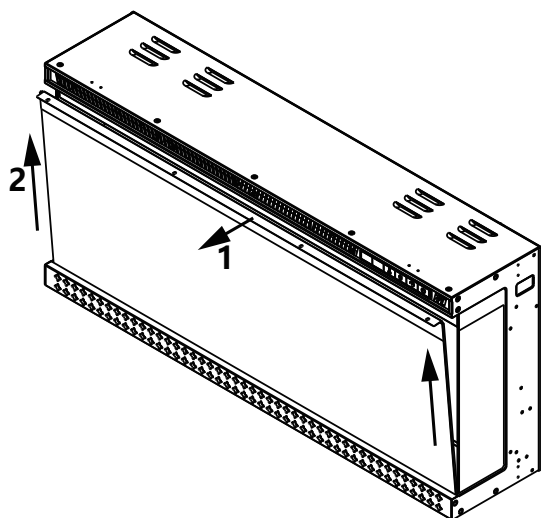


Fig2

PRODUCT ASSEMBLY

FREESTANDING INSTALLATION

3

Take the logs' carbon box out off appliance , See Fig.3 .

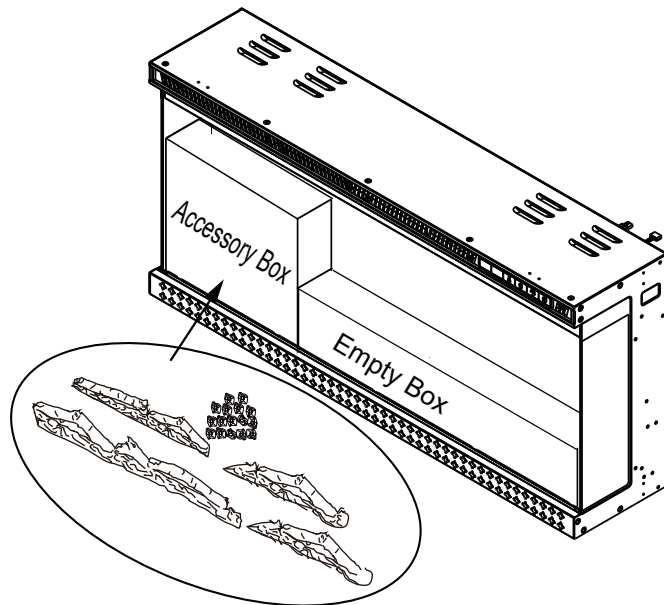


Fig3

4

Lay the heater on the floor or a soft place , with 4pcs screws " B " (4x25mm) as provided see Fig.4 .

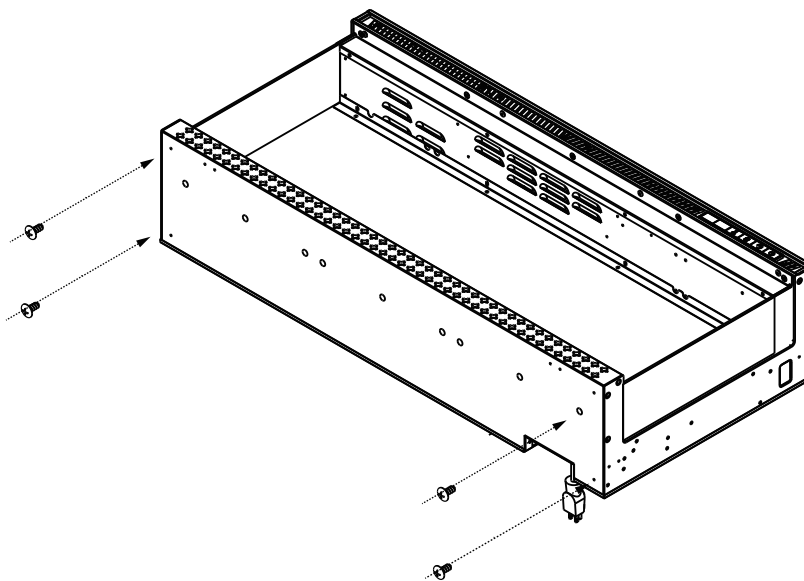


Fig4

PRODUCT ASSEMBLY

FREESTANDING INSTALLATION

5

Place decorative crystals and faux firewood inside the fireplace, see Fig.5

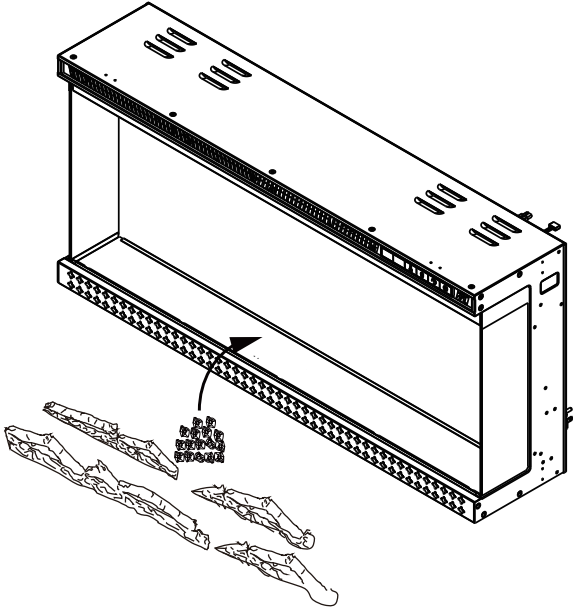


Fig5

6

Rendering of decorative crystals and faux firewood, see Fig6

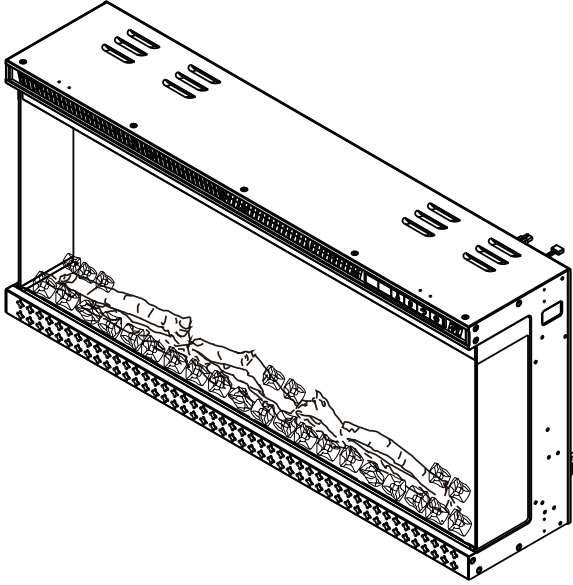


Fig6

PRODUCT ASSEMBLY

FREESTANDING INSTALLATION

7

Install glass panels, see Fig.7

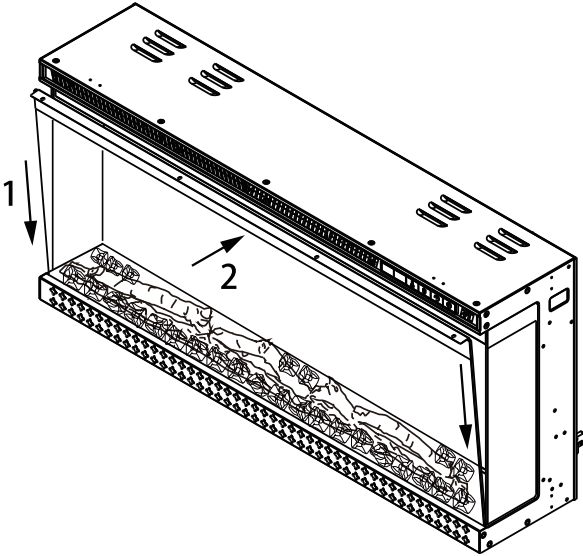


Fig7

8

Secure the glass panels with screws, see Fig.8

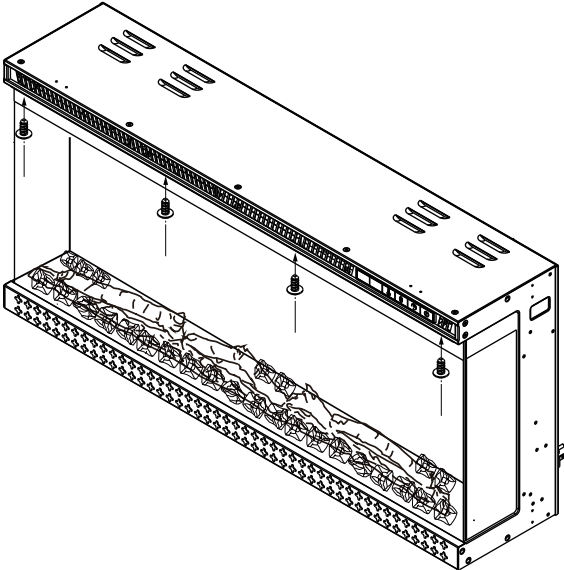


Fig8

PRODUCT ASSEMBLY

FREESTANDING INSTALLATION

9

Remove four pcs of black screws out of appliance
Then retighten the screws to secure the attachment D, see Fig.9

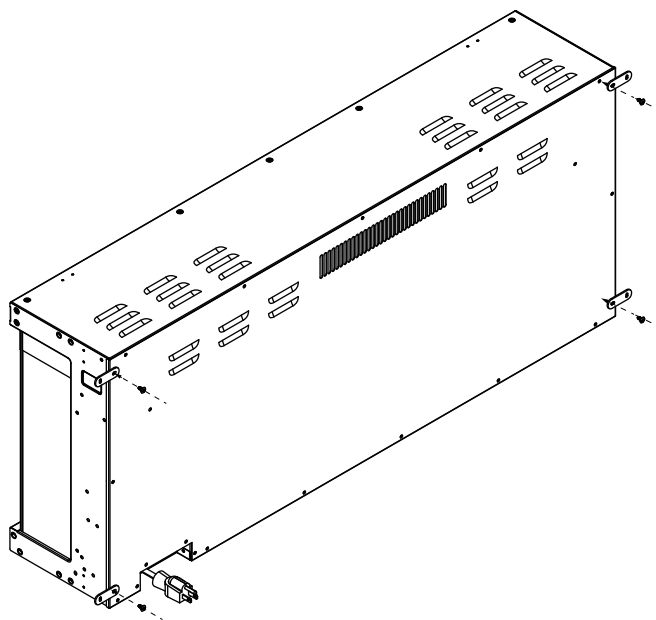


Fig 9

10

Fix the fireplace to the TV cabinet.
Please refer to the TV cabinet manual for installation.

WARNING

TURN OFF THE APPLIANCE COMPLETELY AND LET COOL BEFORE SERVICING. ONLY A QUALIFIED SERVICE PERSON SHOULD SERVICE AND REPAIR THIS ELECTRIC APPLIANE.

WARNING

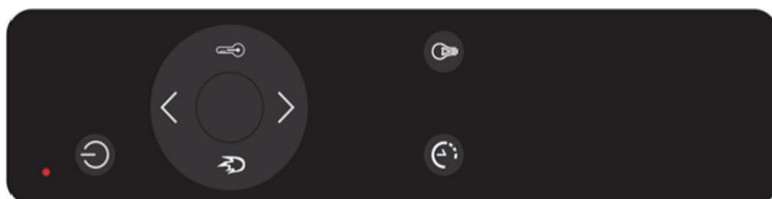
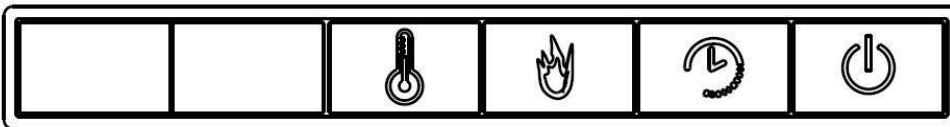
Read and understand this entire owner's manual, including all safety information, before plugging in or using this product. Failure do to so could result in electric shock, fire, serious injury, or death.

Power








Plug the power cord into a 110-120V Volt 15 Amp(At United States) outlet (see **IMPORTANT SAFETY INFORMATION** on Pages 2 and 3).Make sure the outlet is in good condition and that the plug is not loose.NEVER exceed the maximum amperage for the circuit. DO NOT plug other appliances into the same circuit.

Methods of Operation

- This electric fireplace can be operated either by the switches located on the top right hand side of the fire or by supplied remote control.



Touch panel/Remote control Operation

BUTTON	FUNCTION	ACTION&INDICATION
 POWER	ON: Enables control panel functions and remote control.Turn on flame effect. OFF: Disables control panel functions and remote control.Turn off flame effect.	1. Press once. Indicator light turns on. Power turns on.All functions enabled. 2. Press again,power turn off
 FLAME	FLAME button: 1. Control the flame color. 2. Keep pressing for 3 seconds the flame brightness gets changing.	1. Press once. Flame color effect gets changing. 2. Press again. Until desired setting is reached.
 TEMP.	HEATER button: Control the temperature output mode. When fireplace is turning on, keep pressing for 5 seconds to select the desired temperature setting. (62-82F)	1. Press once, Indicator lights up. 750W heater turns on and blows warm air. 2. Press again, Indicator lights up. 1500W heater turns on and blows warm air. 4. Press again. change the temoerature.
 TIMER	TIMER button: Control timer settings to turn off fireplace at selected time. Settings range from 1 hours to 8 hours. Keep pressing 3 seconds to control LED backlight	3. Press once. Indicator light turn on. Temperature is set to hours. Press again until desired setting is reached. LED display show setting.
	Increase button: Increase the heat output and flame color.	1. Increase the heat output and flame color.
	Decrease button: Decrease the heat output and flame color.	1. Decrease the heat output.
	Color button: Change the flame brightness.	Change the flame brightness Note: This button is only on remote.

NOTICE

When the heater is first turned on, a slight odor may be present. This is normal and should not occur again unless the heater is not used for a long period of time.

NOTICE

To improve operation, aim the remote control at the front of the fireplace. DO NOT press the buttons too quickly.Give the unit time to respond to each command.

Temperature Limiting Control

This heater is equipped with a Temperature Limiting Control. Should the heater reach an unsafe temperature, the heater will automatically turn OFF. To reset:

1. Unplug the power cord from the outlet.
2. Turn the ON/OFF switch on the CONTROL PANEL to OFF. Wait 5 minutes.
3. Inspect the fireplace to make sure no vents are blocked, or clogged with dust or lint. If they are, use a vacuum to clean the vent areas.
4. With the POWER switch in the OFF position, plug the power cord back into the outlet.
5. If the problem continues, have your outlet and wiring inspected by a professional.

Remote Control Battery Information

Remote control requires two AAA batteries



NEVER dispose of batteries in fire. Failure to observe this precaution may result in an explosion. Dispose of batteries at your local hazardous material processing center.

CARE AND MAINTENANCE

Cleaning



ALWAYS turn the heater OFF and unplug the power cord from the outlet before cleaning, performing maintenance, or moving this fireplace. Failure to do so could result in electric shock, fire, or personal injury.



NEVER immerse in water or spray with water. Doing so could result in electric shock, fire, or personal injury.

Metal:

- Buff using a soft cloth, slightly dampened with a citrus oil-based product.
- **DO NOT** use brass polish or household cleaners as these products will damage the metal trim.

Glass:

- Use a good quality glass cleaner and dry thoroughly with a paper towel or lint-free cloth.
- **NEVER** use abrasive cleansers, liquid sprays, or any cleaner that could scratch the surface.

Vents:

- Use a vacuum or duster to remove dust and dirt from the heater and vent areas.
- Clean the exterior of the fireplace with a slightly damp cloth or duster.

Maintenance



Risk of electric shock! DO NOT OPEN! No user-serviceable parts inside!



ALWAYS turn the heater OFF and unplug the power cord from the outlet before cleaning, performing maintenance, or moving this fireplace. Failure to do so could result in electric shock, fire, or personal injury.

Electrical and Moving Parts:

- The fan motors are lubricated at the factory and will not require lubrication.
- Electrical components are integrated in the fireplace and are not serviceable by the consumer.

Storage:

- Store heater in a clean dry place when not in use.



WARNING! No other servicing should be performed by the consumer. Do not attempt to service the unit yourself.

Troubleshooting

WARNING

**DISCONNECTED THE APPLIANCE COMPLETELY AND LET COOL PRIOR TO ANY SERVICE.
ONLY A QUALIFIED SERVICE PERSON SHOULD SERVICE AND REPAIR THIS ELECTRIC APPLIANCE.**

Problem	Possible Cause	Solution
1. Fireplace turns off and will not turn on.	1. Fireplace has overheated and safety device has caused thermal switch to disconnect or home circuit breaker has opened.	1. Reset switch by turning main power off and waiting turning it back on or breaker circuit breaker.
2. Flame is not moving.	1. Loose wiring. 2. Flame motor defective. 3. Flame rod out of place	1. Inspect wiring for loose connections. 2. Call a qualified service technician to replace flame motor. 3. "Flame Rod" out of place due to rough transit/handling of the product. This issue can be corrected as simple as removing the glass, flipping the fireplace upside and down, removing a set of screws that are holding the bottom frame plate and placing the flame rod back into place.
3 Flame is not visible.	1. Wiring is loose	1. Disconnect from power source and inspect wiring for loose connections and repair or replace if necessary. 2. Push the flame button to high
4 Log set and /or crystal is not glowing.	1. Wiring is loose 2. Ember is off mode	1. Disconnect from power source and inspect wiring for loose connections and repair or replace if necessary.
5 Remote control does not work.	1. Low batteries. 2. Not aiming control correctly. 3. Defective remote control and /or sensor	1. Replace batteries in remote control. 2. Aim control at sensor located directly behind glass screen in center of unit just above logs. 3. Replace remote control and/or sensor.