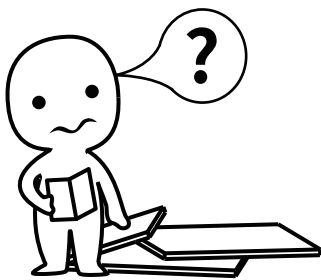


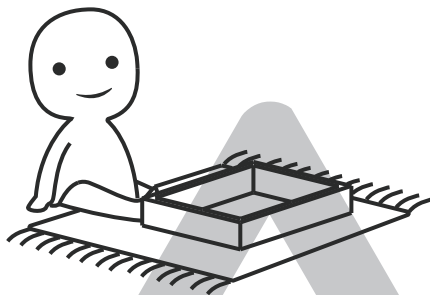
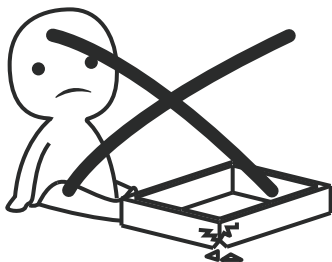
INSTALLATION

Product Manual



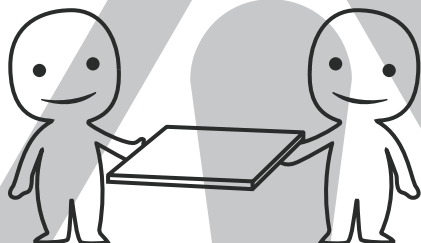
IMPORTANT INFORMATION!

please read the entire manual before starting to assemble and/or using this product. follow the manual thoroughly and keep it for further reference.



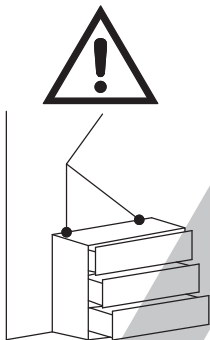
AVOID SCRATCHES!

In order to avoid scratching this furniture should be assembled on a soft layer- could be a rug.



IMPROVE EFFICIENCY !

Try to find a partner to install with you, which can speed up the installation efficiency and shorten the time.



ANTI-TOPPLE WARNING !

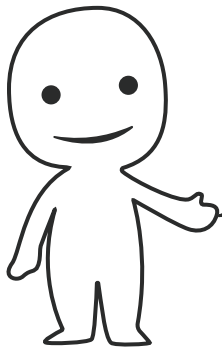
Overturned furniture can cause serious or fatal crush injuries. To prevent tipping over, be sure to use the wall attachment, if not included with this product. Please purchase the wall attachment that fit your wall. If unsure, seek professional advice. Please read and follow each step of the instructions carefully.

IMPORTANT !

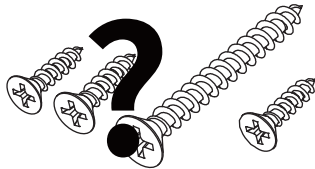
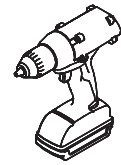
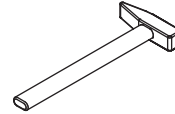
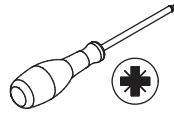
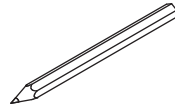
It is important that any product which is assembled using any kind of screw is re-tightened 2 weeks after assembly, and once every 3 months - in order to assure stability through-out the lifespan of the product.

For regular maintenance and cleaning of the product, for the frame, please use a rag dipped in neutral detergent to fully wipe it, and then dry it with a clean rag. For glass materials, wipe with a rag dampened with water glass cleaner, and then dry with a dry rag.

Do not use an electric screwdriver, and do not use too much force when installing, because the board is easy to break.

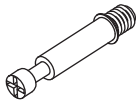


Please prepare the following tools



When installing, please carefully confirm whether each screw corresponds to the manual, accessories with similar shapes can be distinguished by size

A x 48



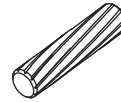
Ø 6 x 35 mm

B x 48



Ø 15 x 9.5 mm

C x 30



Ø 8 x 30 mm

D x 12



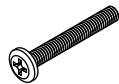
Ø 4 x 35 mm

E x 84



Ø 3.5 x 14 mm

F x 4



Ø 4 x 21 mm

G x 4



Ø 4 x 8 mm

H x 8



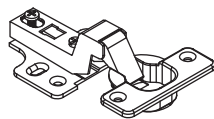
Ø 30 x 22 mm

I x 8



Ø 4 x 50 mm

J x 8



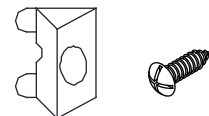
Ø 35 mm

K x 8



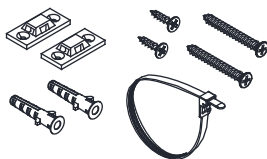
Ø 5 x 16 mm

L x 24

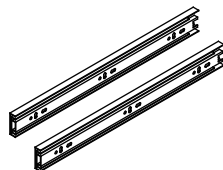


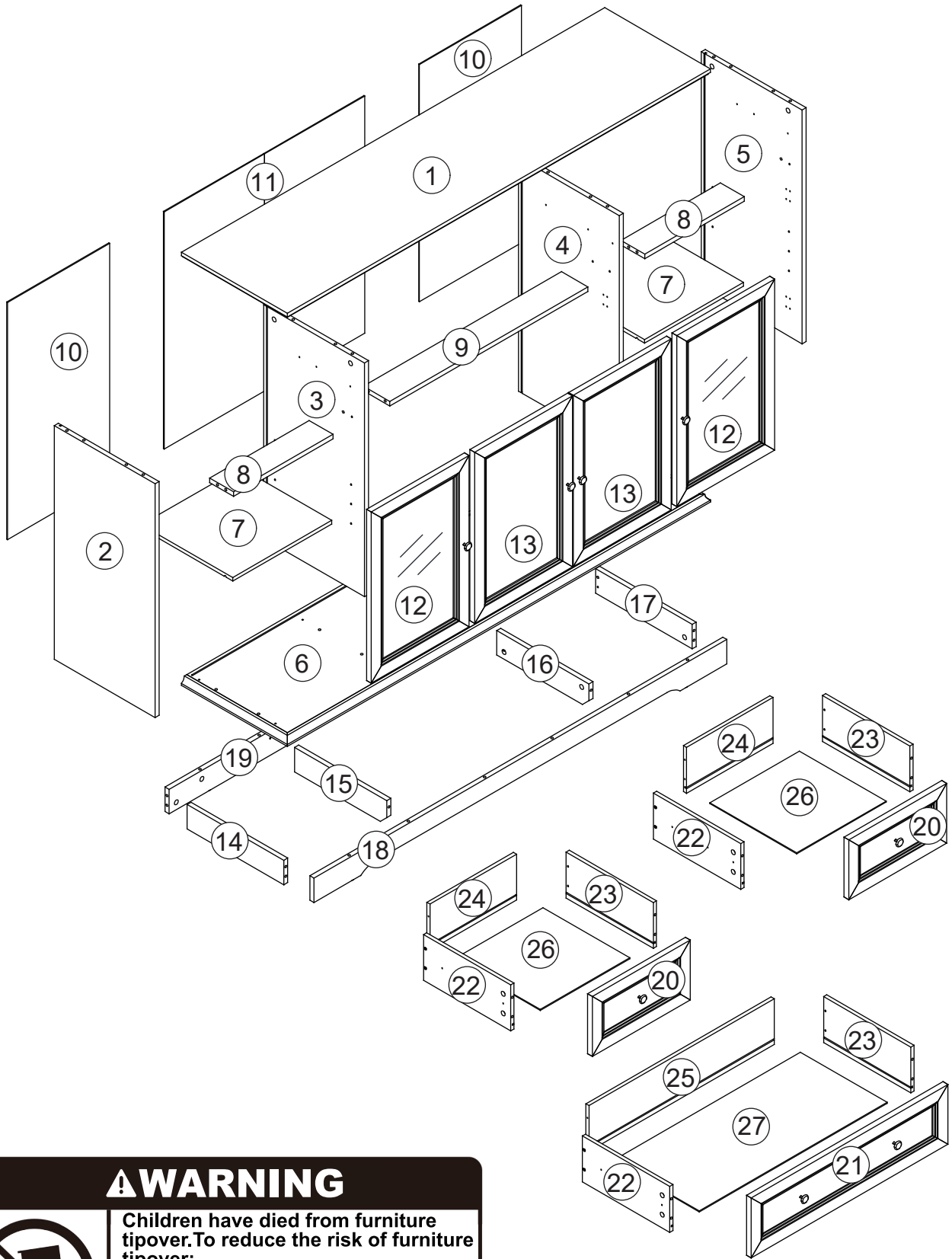
Ø 3 x 14 mm

M x 2 SETS



N x 3 SETS





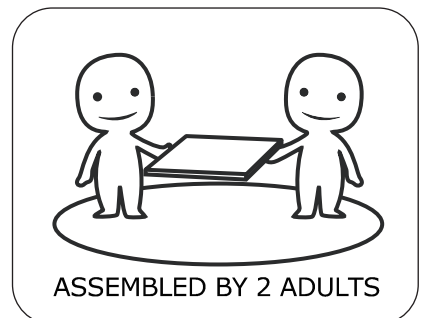
⚠ WARNING



Children have died from furniture tipover. To reduce the risk of furniture tipover:

- ALWAYS install tipover restraint provided.
- NEVER put a TV on this product.
- NEVER allow children to stand, climb or hang on drawers, doors, or shelves.
- NEVER open more than one drawer at a time.
- Place heaviest items in the lowest drawers.

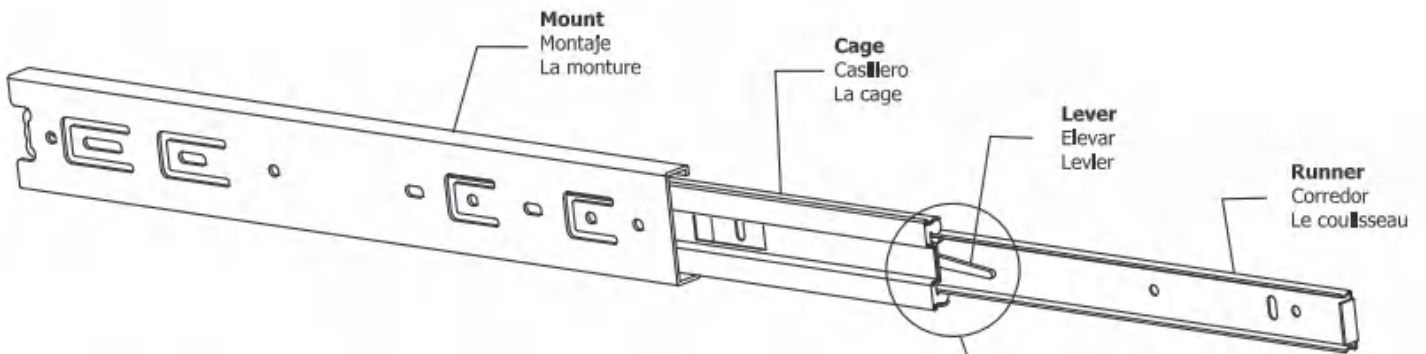
*This is a permanent label.
Do not remove!*



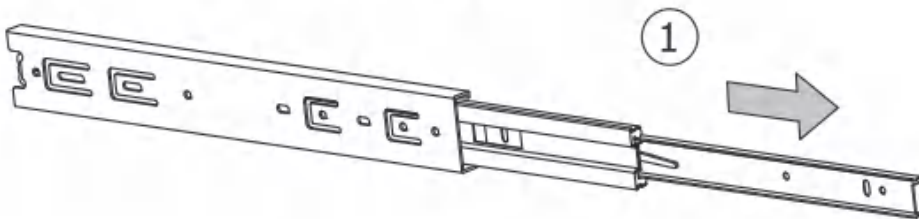
**Slides Must Be Separated Before Assembly.
After Separated, Set Aside Until Needed for Assembly.**

Las diapositivas deben separarse antes del montaje.
Después de la separación, déjelo a un lado hasta que sea necesario.

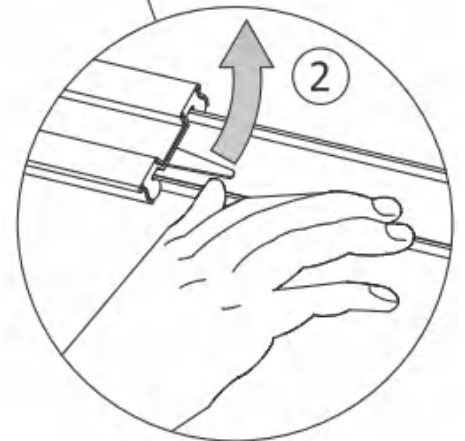
Les glissières doivent être séparées avant l'assemblage.
Après la séparation, mettez de côté jusqu'au moment de l'assemblage.



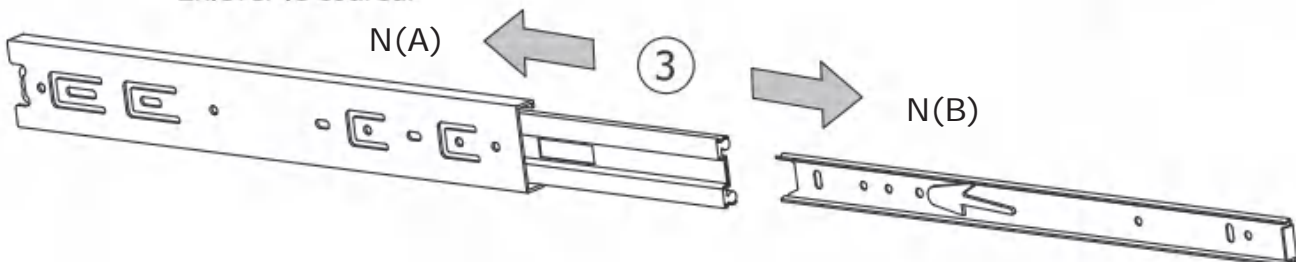
STEP 1: Extend Slide
Extender la diapositiva
Extendre la diapositive



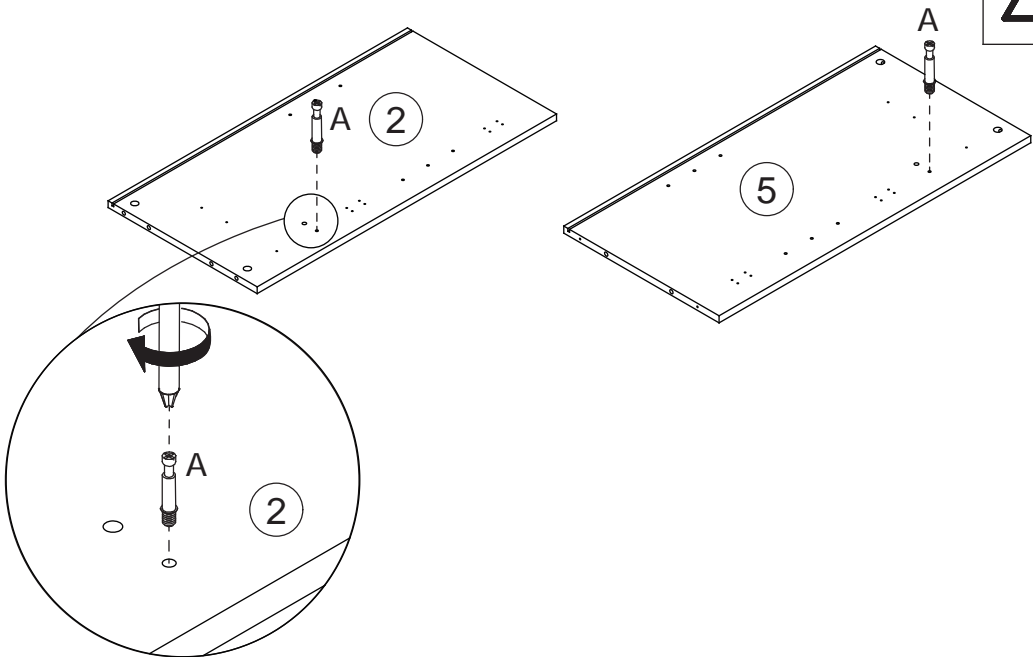
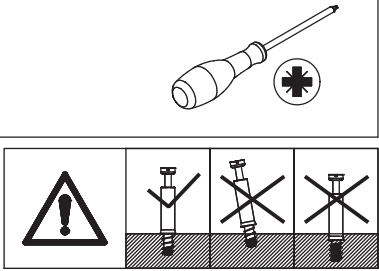
STEP 2: Push Lever UP
Empujar hacia arriba
Levier le levier



STEP 3: Remove Runner
Quitar el corredor
Enlever le coureur

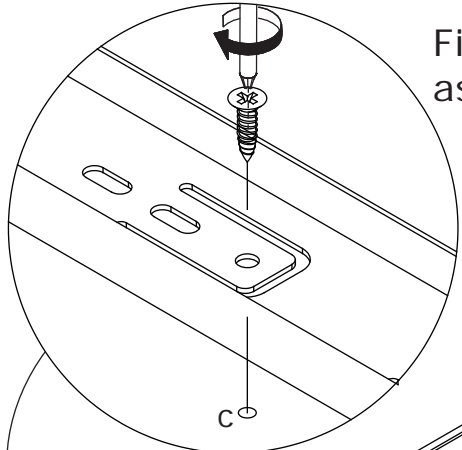
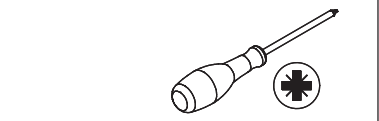
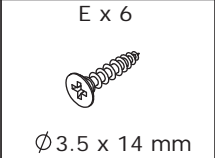


1

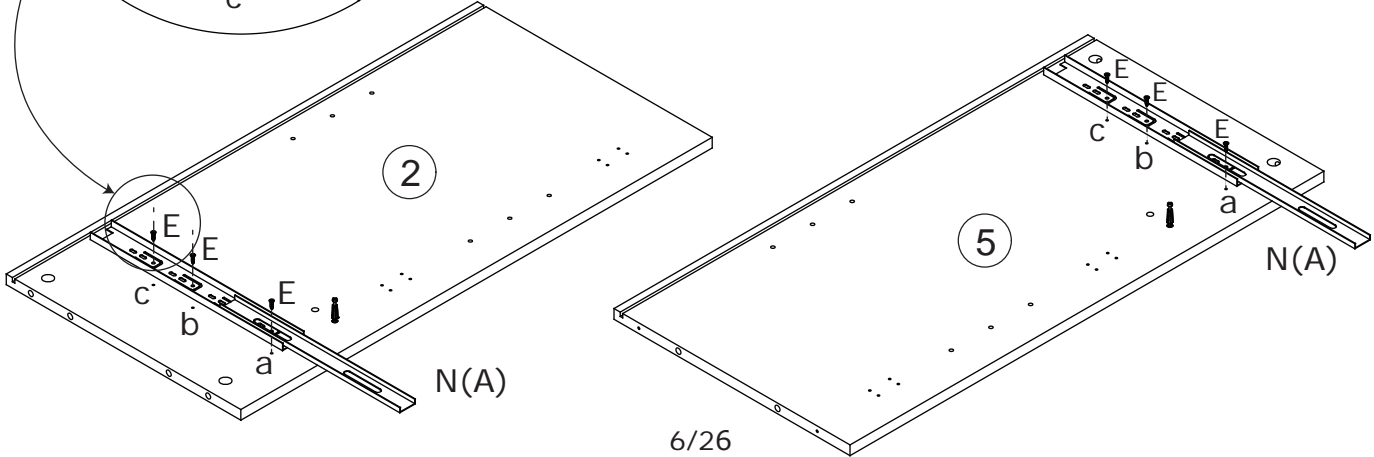
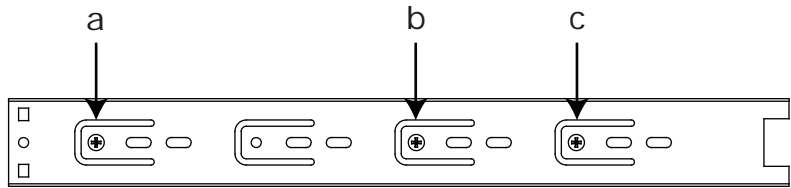


Screw eccentric rod(A) into board 2,5 with a screwdriver as shown.

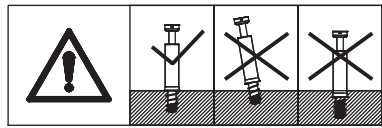
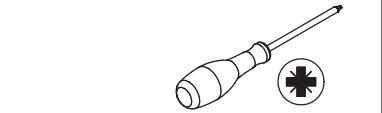
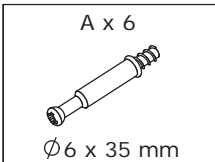
2



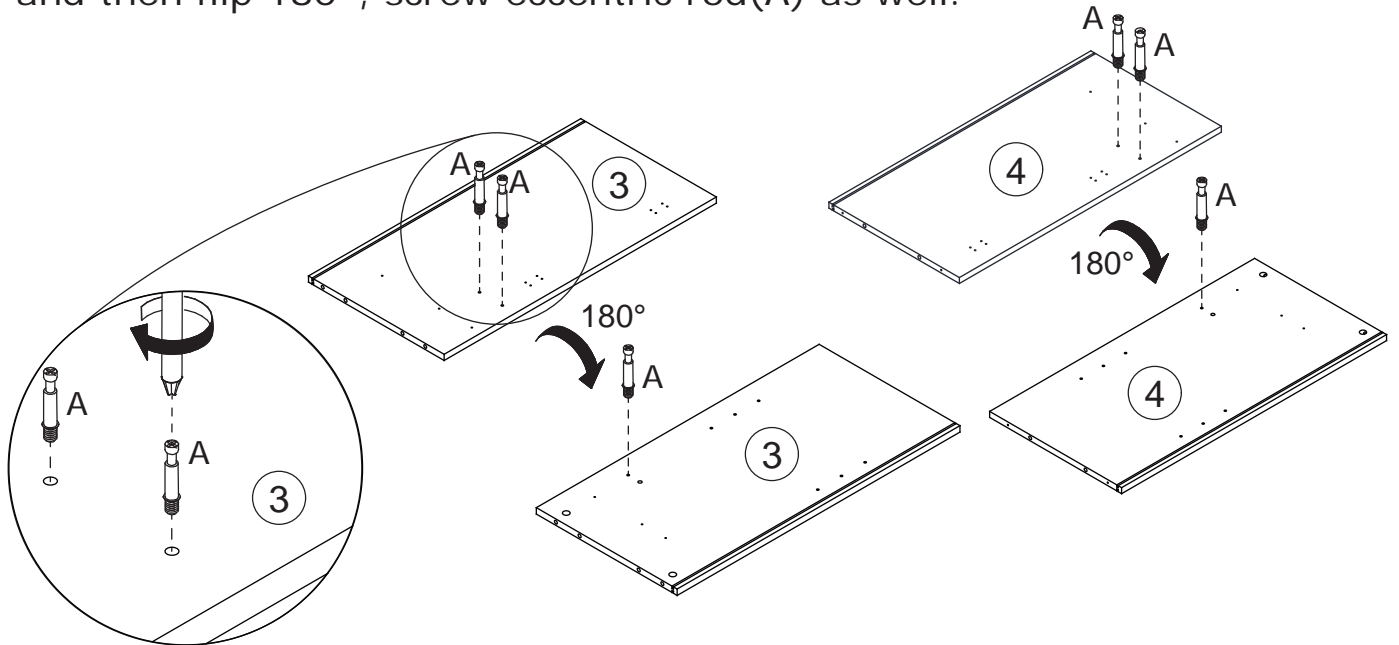
Fix slide rail(N) to board 2 and 5 with screw(E) as shown.



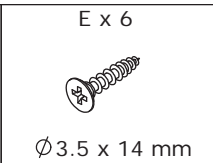
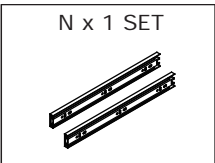
3



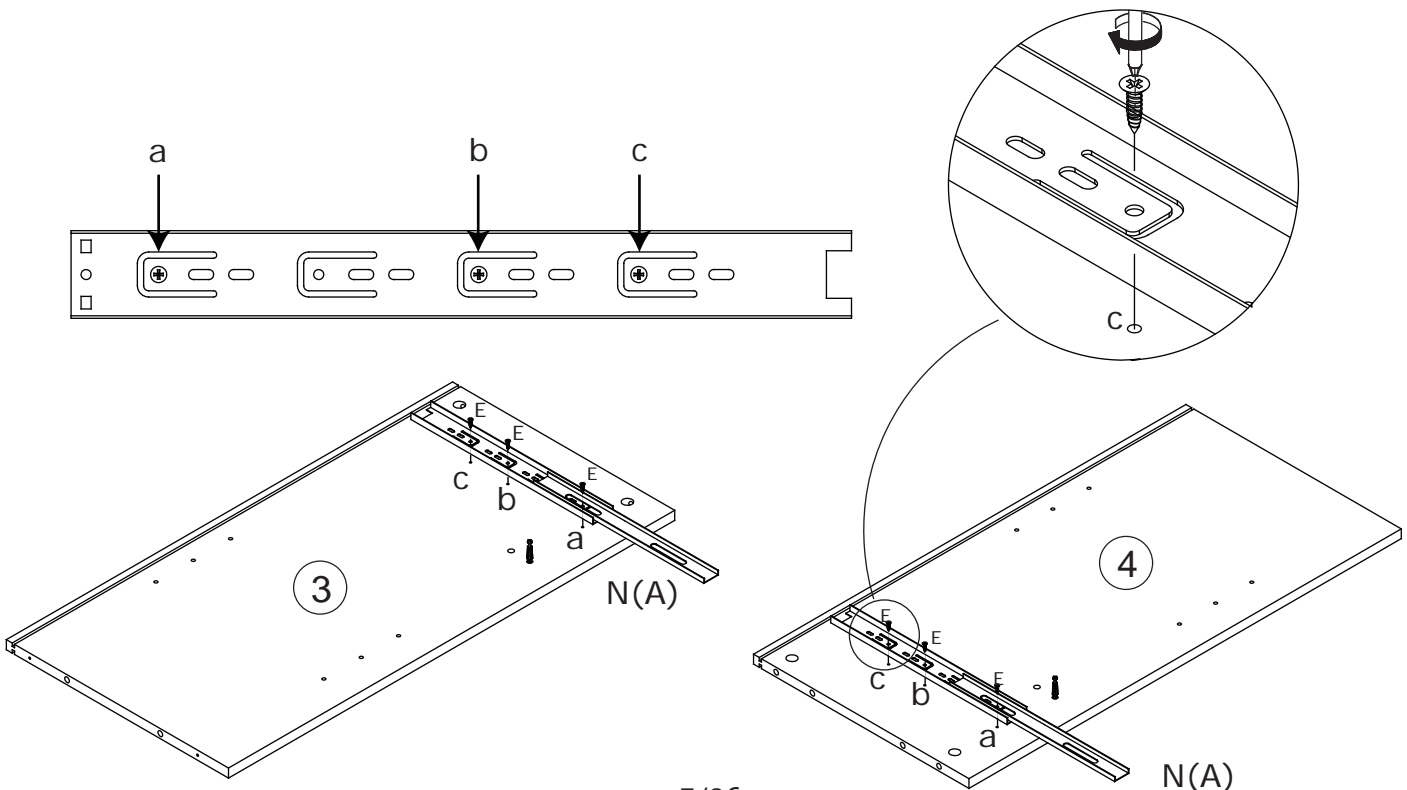
Screw eccentric rod(A) into board 3, 4,
and then flip 180°, screw eccentric rod(A) as well.



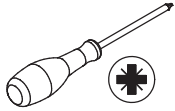
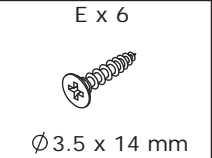
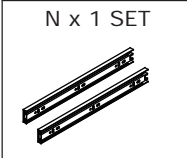
4



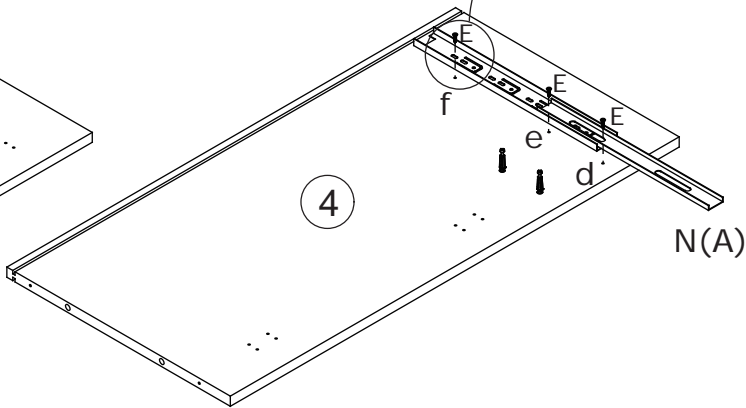
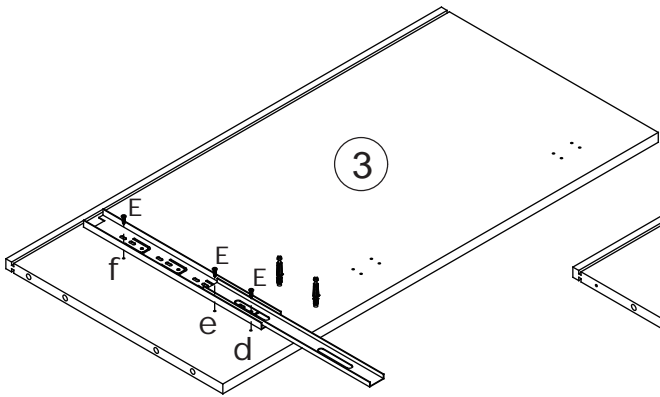
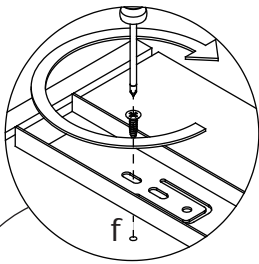
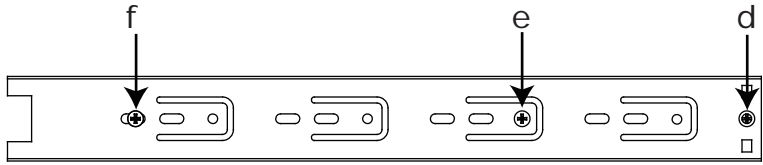
Fix slide rail(N) to board 3 and 4 with screw(E) as shown.



5

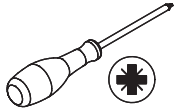
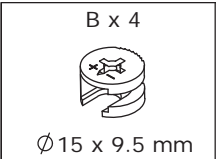


Flip the two boards to back, fix slide rail(N) with screw(E) as shown.

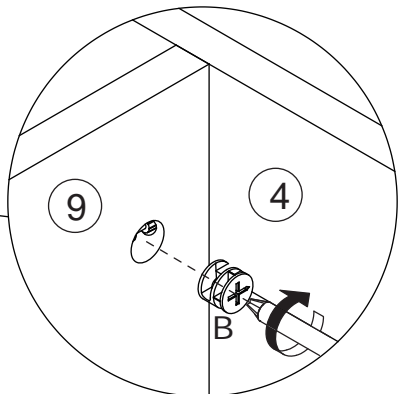
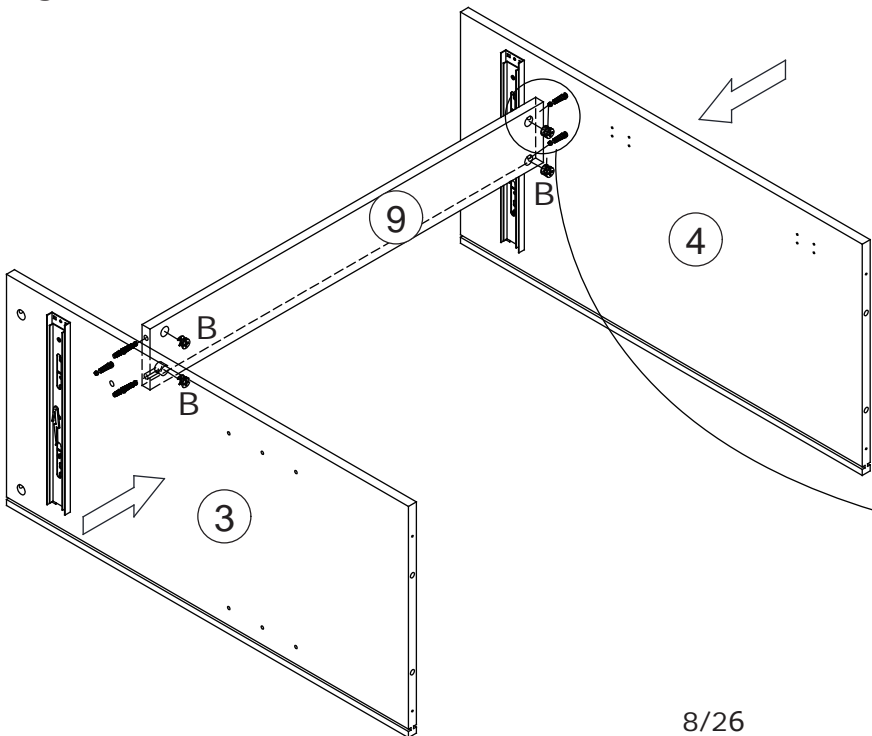
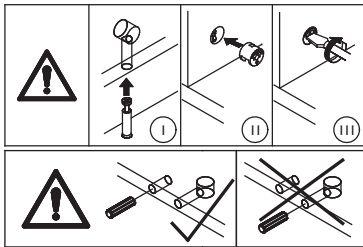


N(A)

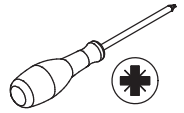
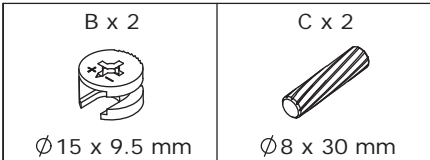
6



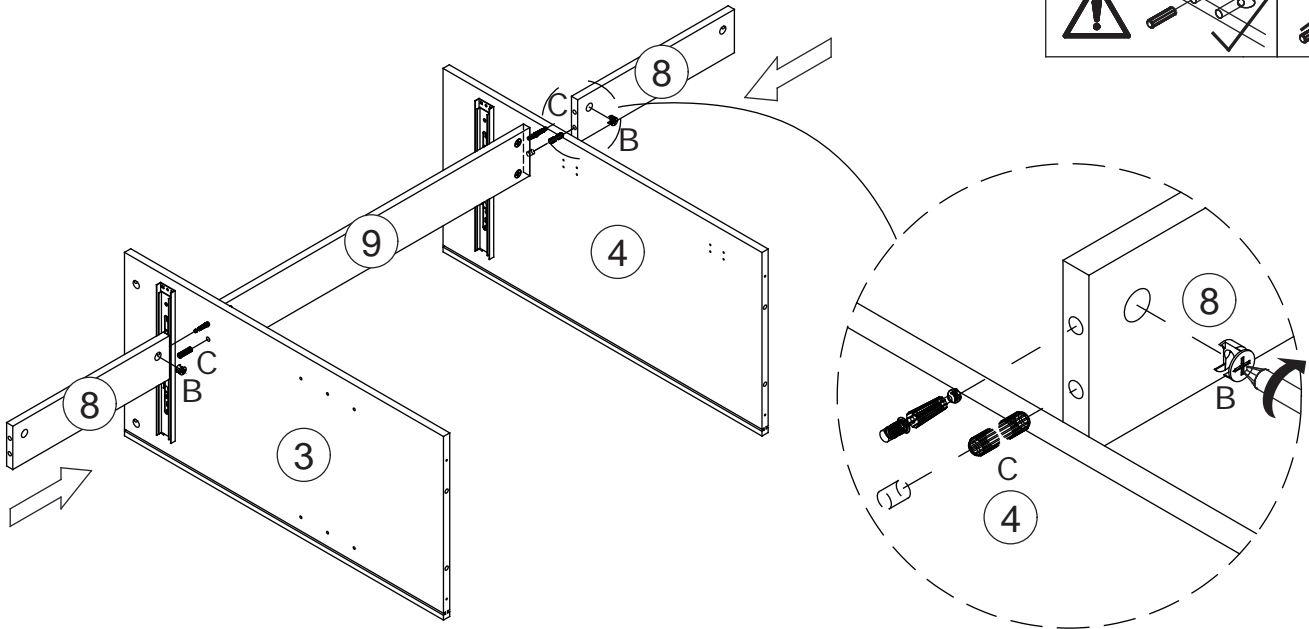
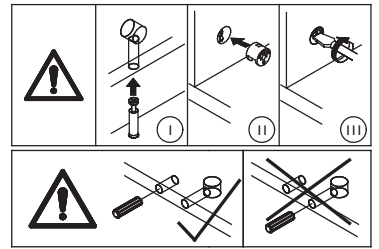
Attach board 9 to board 3 and 4 add cam lock(B) into board 9 and turn clockwise to tighten as shown.



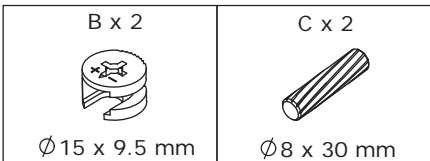
7



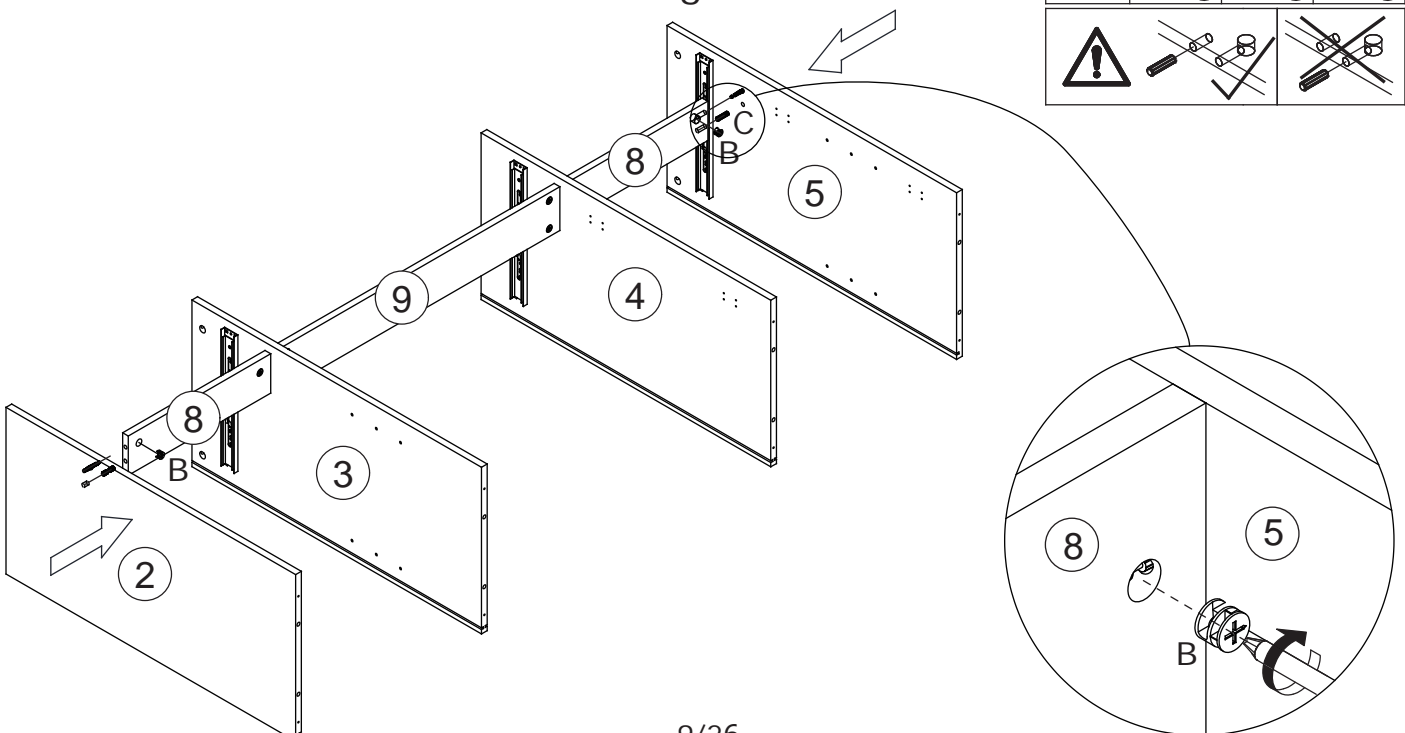
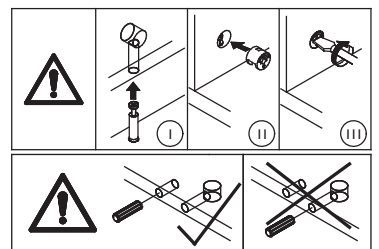
Insert wooden dowel(C) into board 8 at first.
Attach board 8 to board 3 and 4 add cam lock(B)
into board 8 and turn clockwise to tighten as shown.



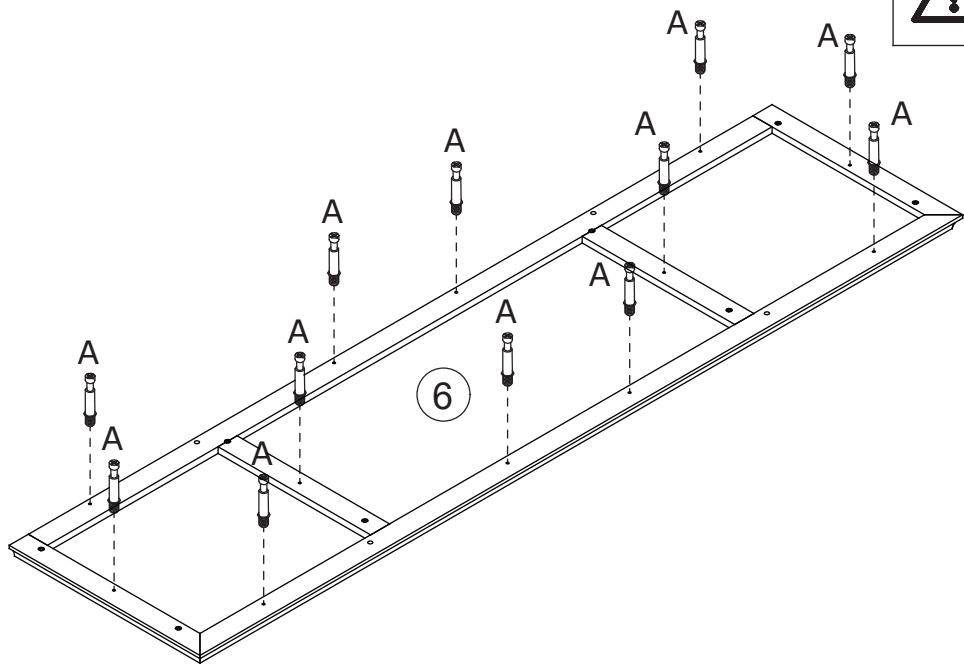
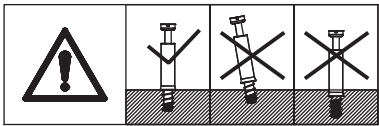
8



Insert wooden dowel(C) into board 8 at first.
Attach board 8 to board 2,5 add cam lock(B)
into board 8 and turn clockwise to tighten as shown.

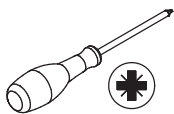
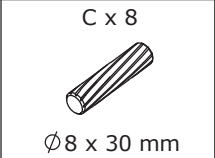
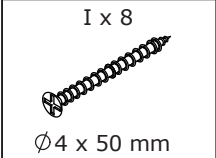


9

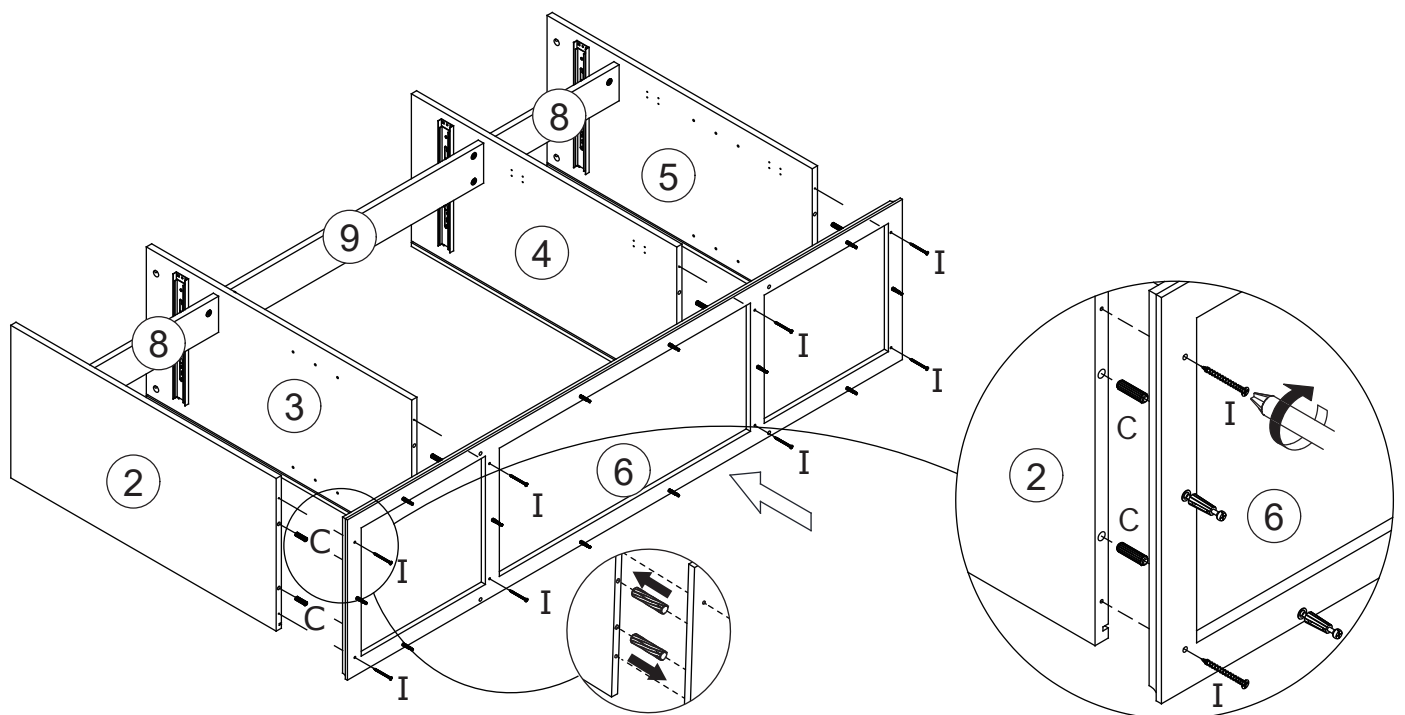


Screw eccentric rod(A) into board 6 with a screwdriver as shown.

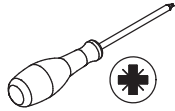
10



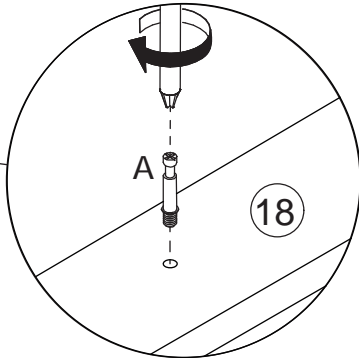
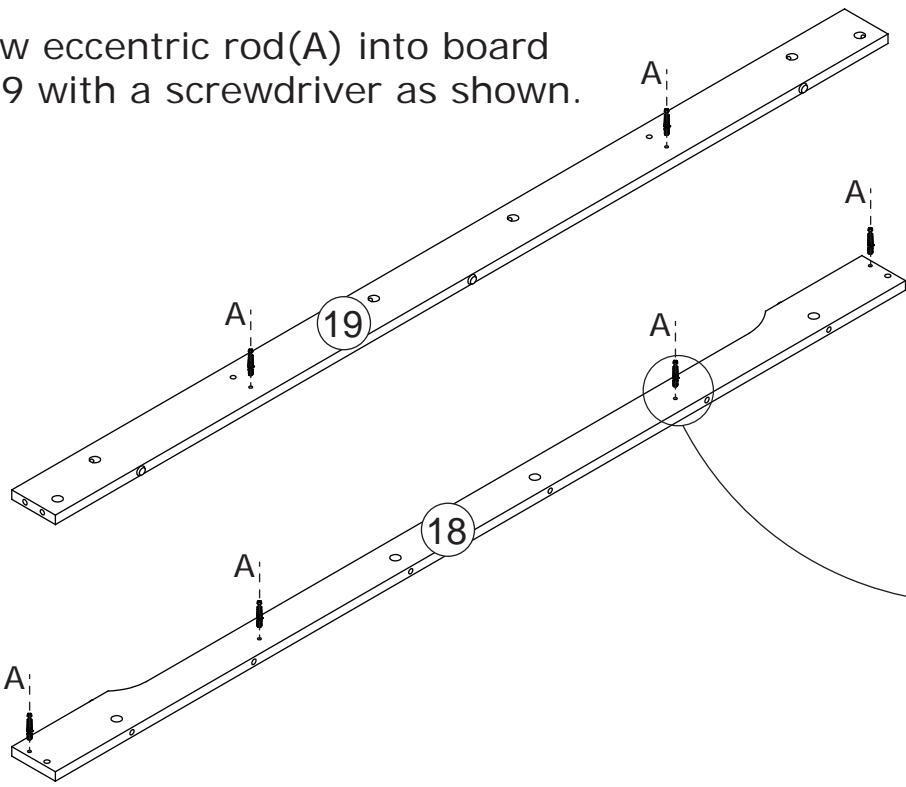
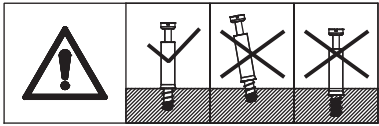
Insert wooden dowel(C) into board 2,3, 4 and 5 at first.
Attach board 6 to the bottom, and fix with screw(I) as shown.



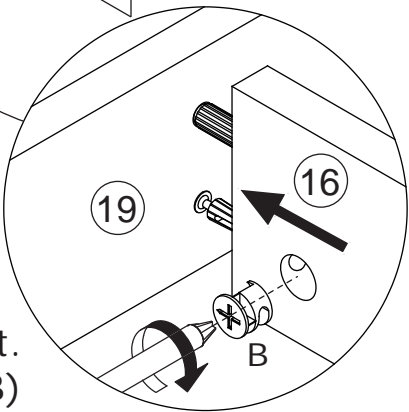
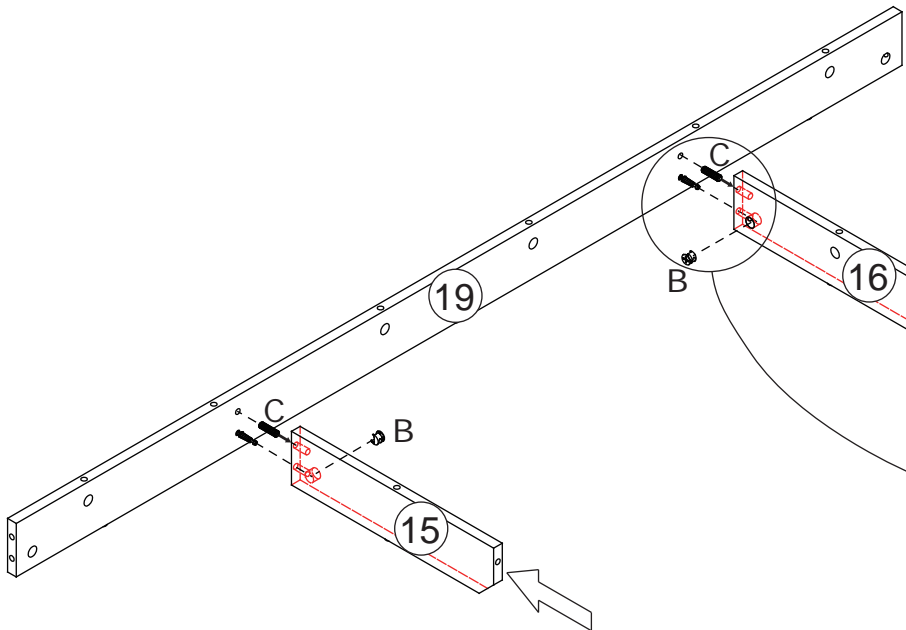
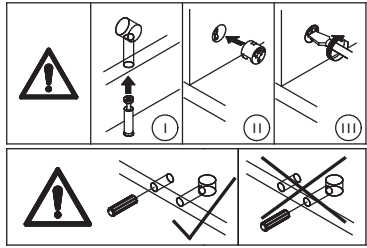
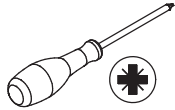
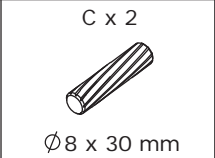
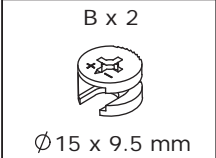
11



Screw eccentric rod(A) into board 18,19 with a screwdriver as shown.

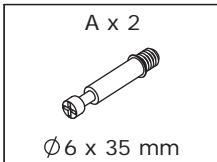


12

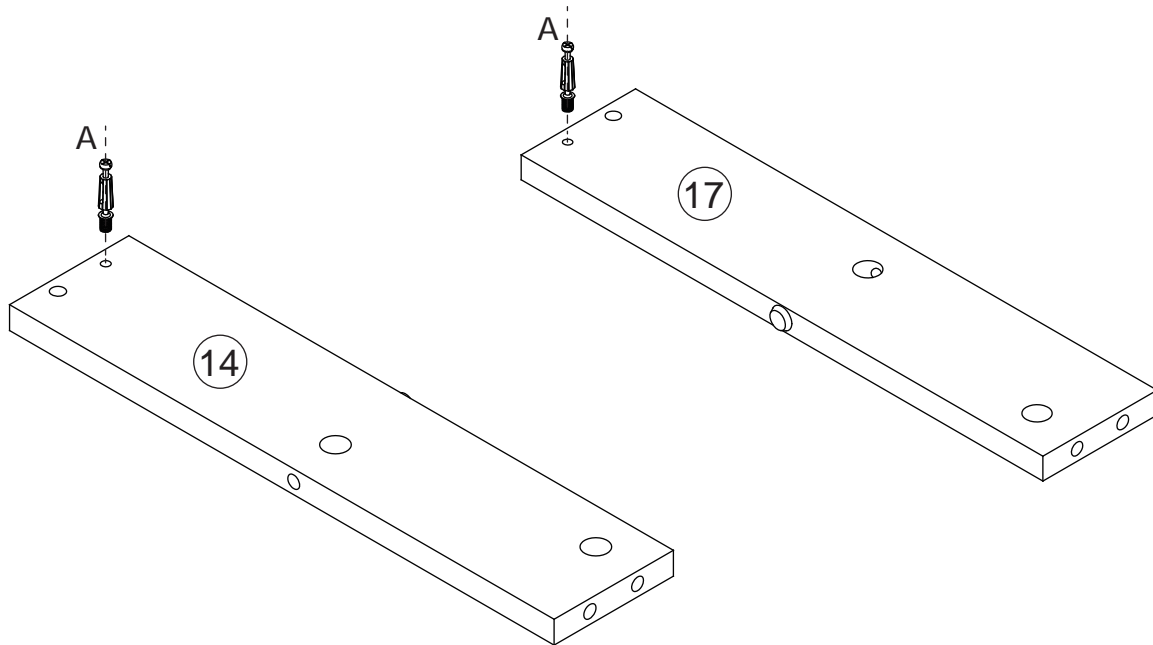
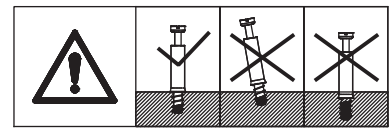


Insert wooden dowel(C) into board 15,16 at first. Attach board 15,16 to board 19, add cam lock(B) into board 15,16 and turn clockwise to tighten as shown.

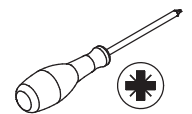
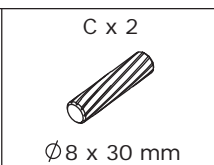
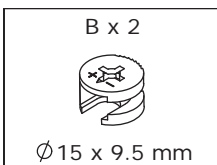
13



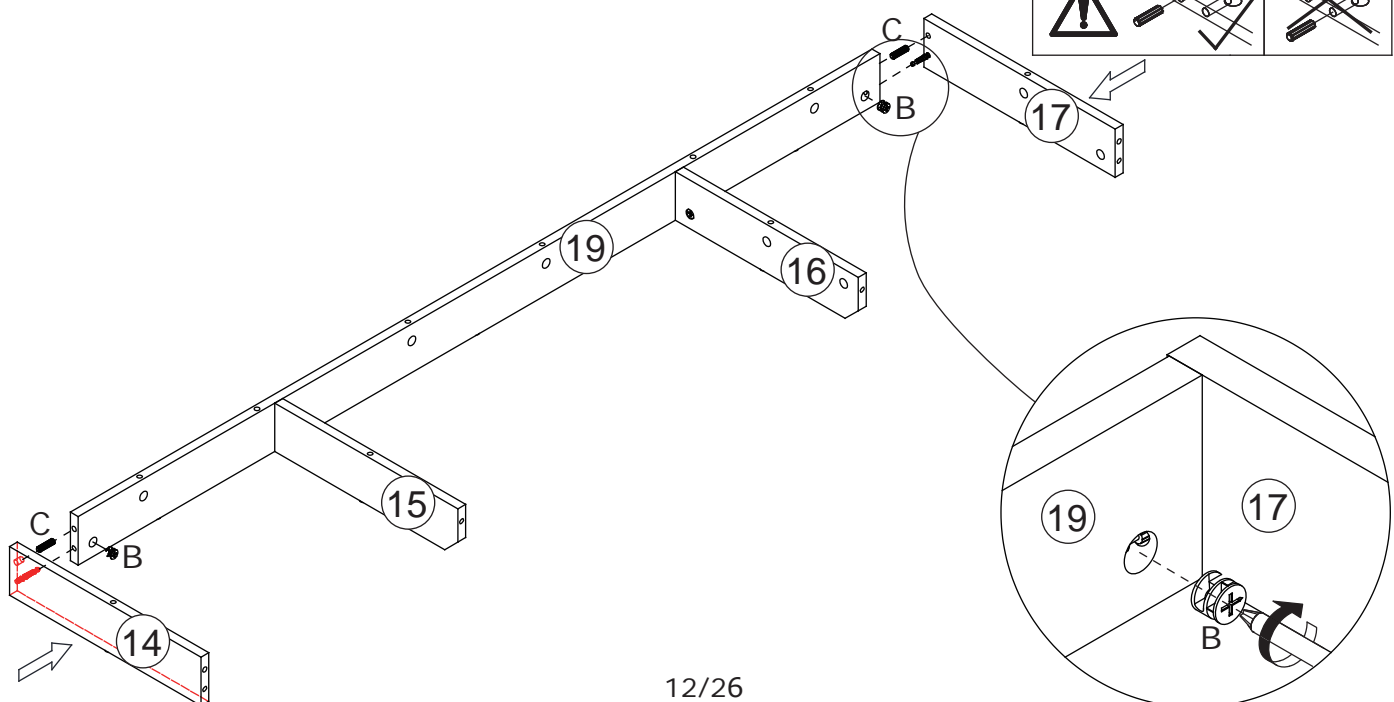
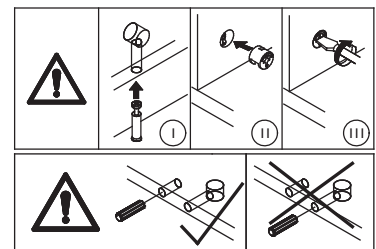
Screw eccentric rod(A) into board 14,17 with a screwdriver as shown.



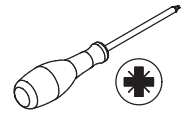
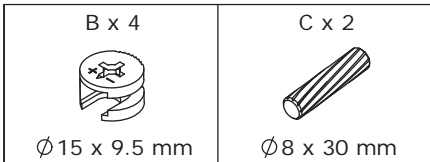
14



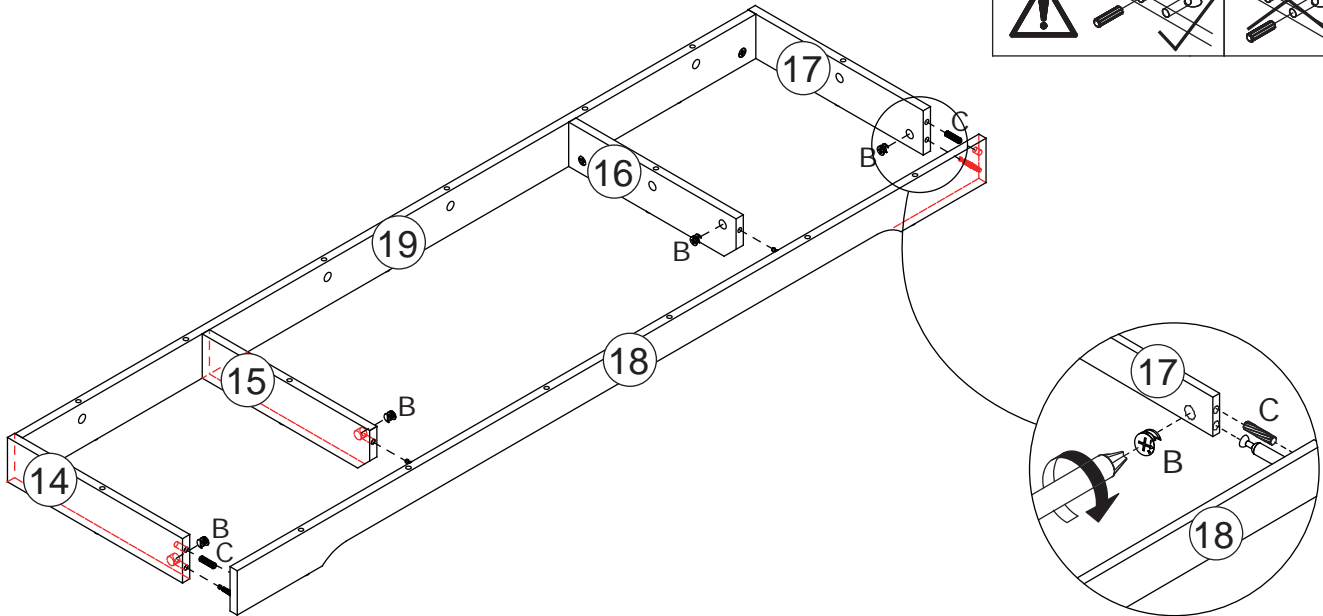
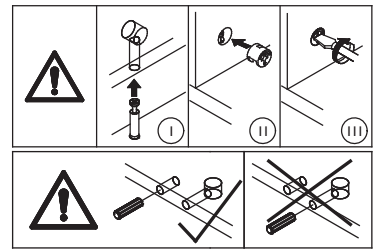
Insert wooden dowel(C) into board 19 at first. Attach board 19 to board 14,17, add cam lock(B) into board 19 and turn clockwise to tighten as shown.



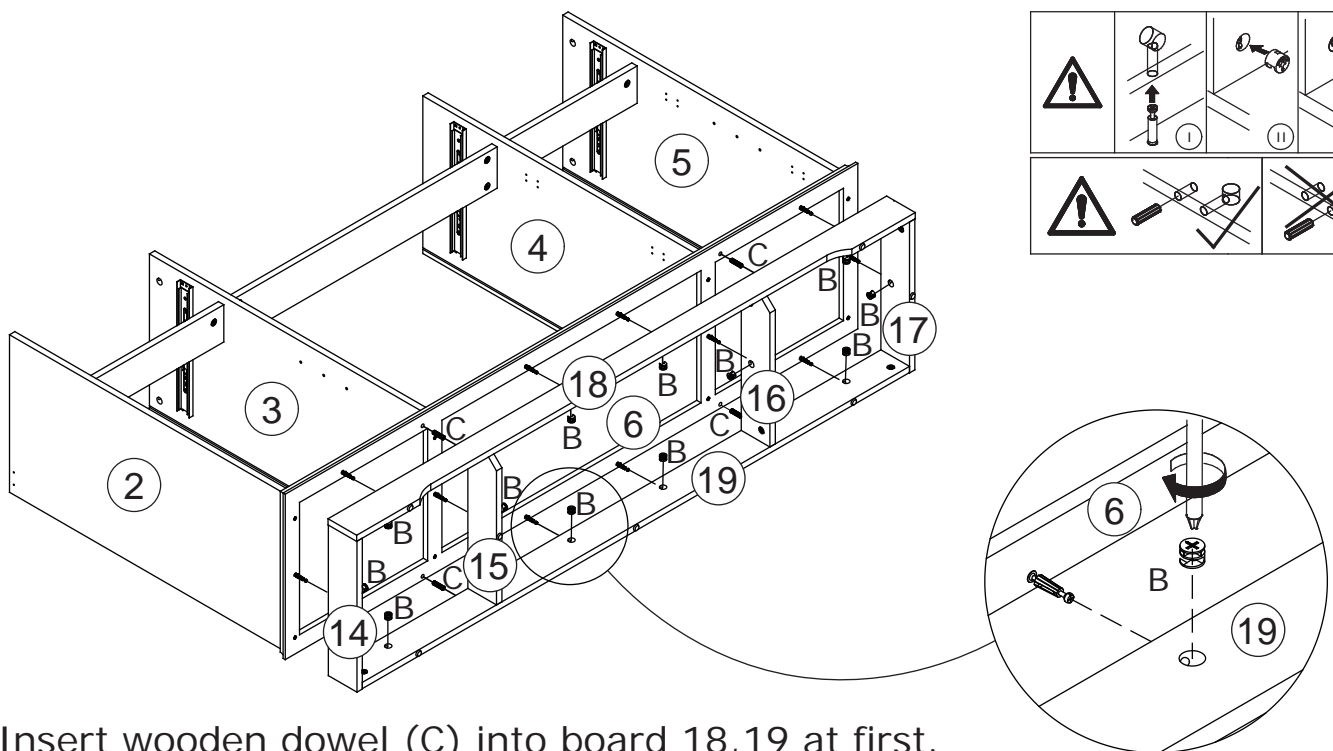
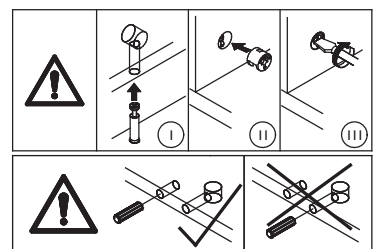
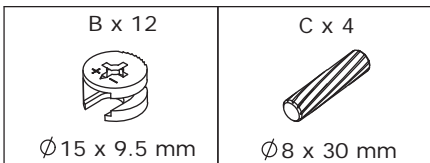
15



Insert wooden dowel(C) into board 14,17 at first.
 Attach board 14,15,16,17 to board 18 add cam lock(B)
 and turn clockwise to tighten as shown.

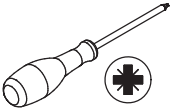


16

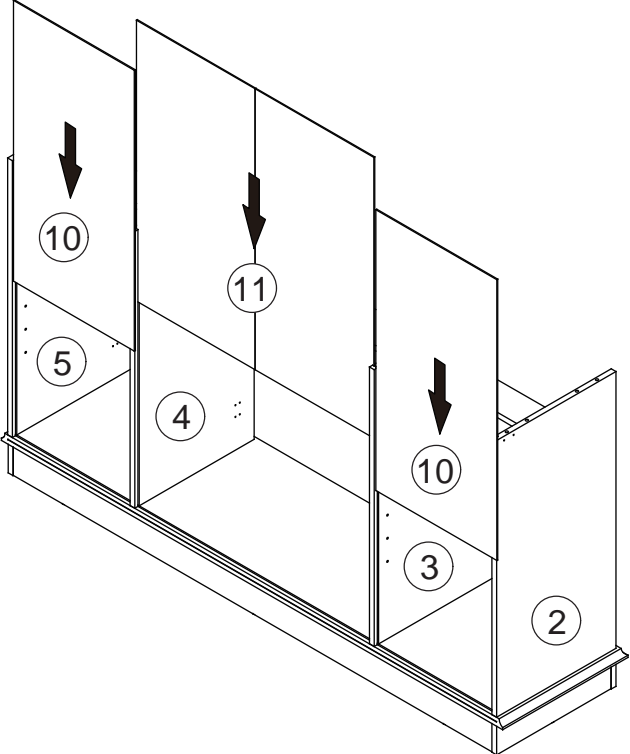


Insert wooden dowel (C) into board 18,19 at first.
 Attach board 14,15,16,17,18,19 to board 6 add cam
 lock(B) and turn clockwise to tighten as shown.

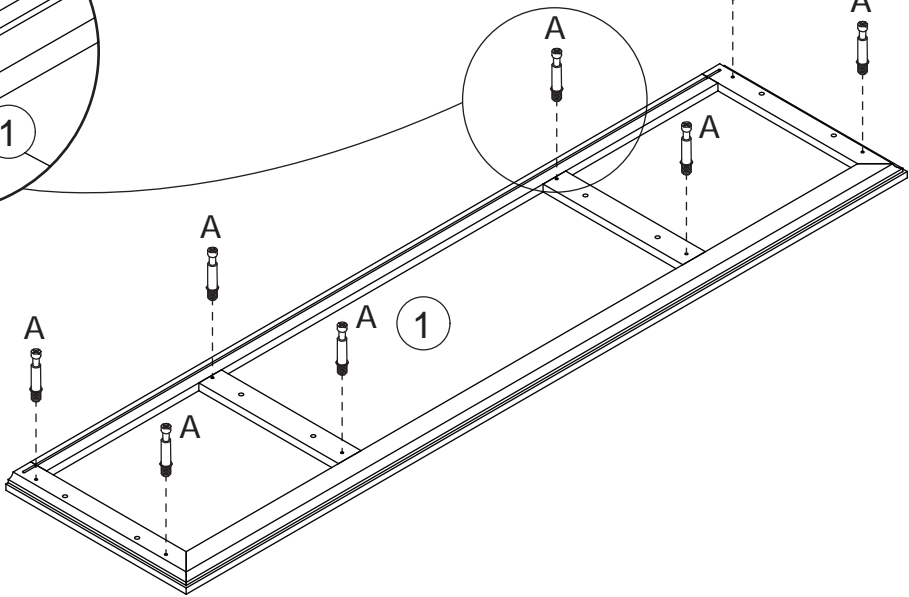
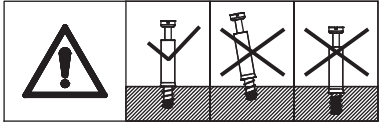
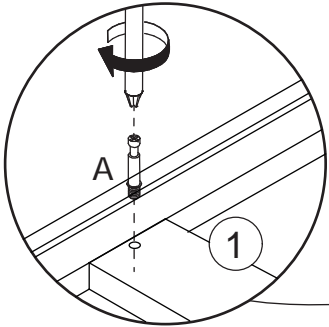
17



Insert back board 10,11 along available grooves as shown.

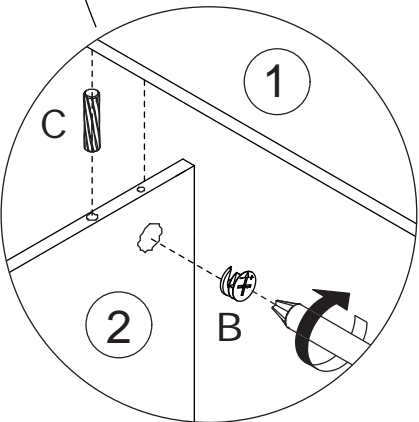
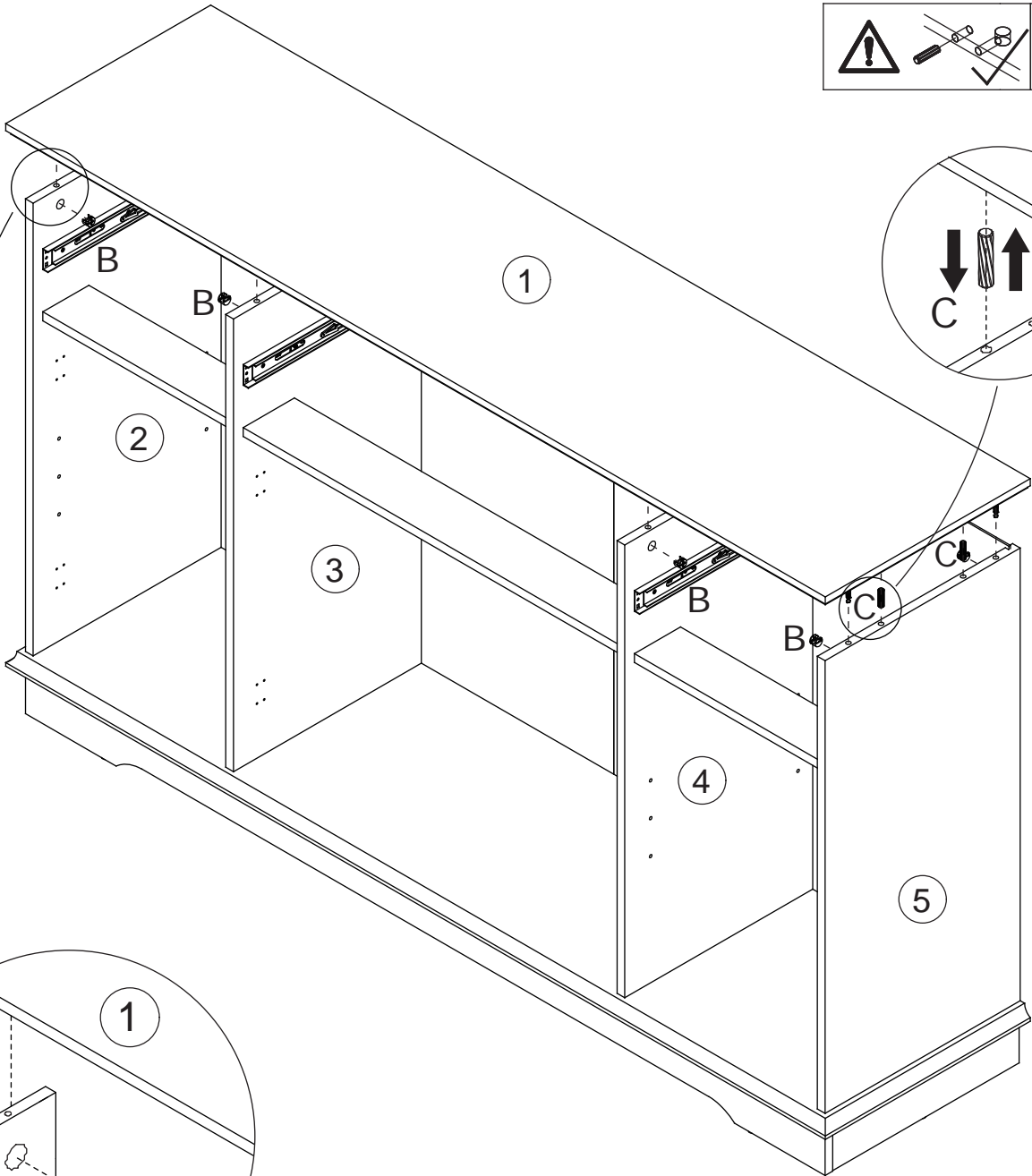
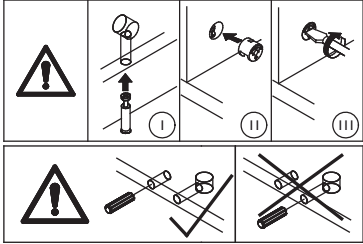
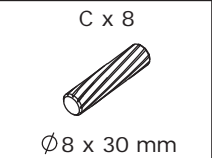
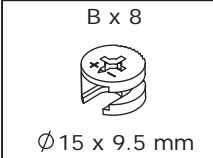


18



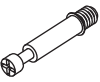


Screw eccentric rod(A) into board 1 with a screwdriver as shown.

19

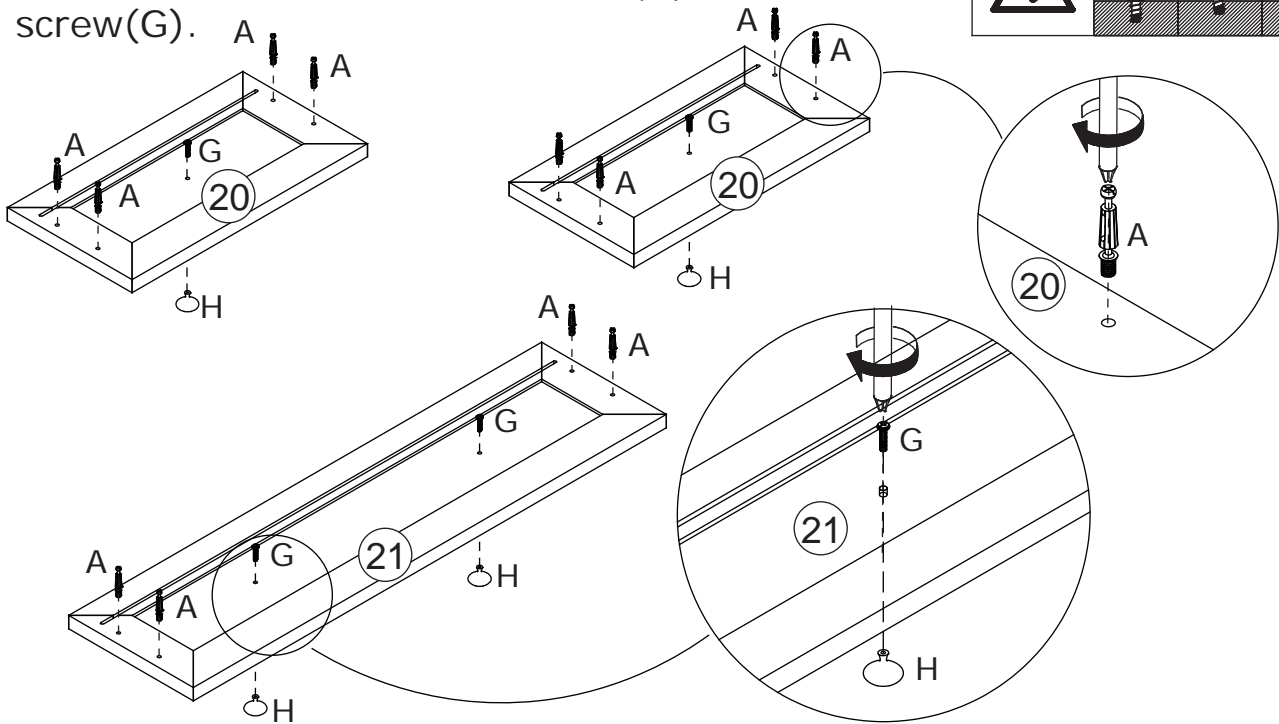
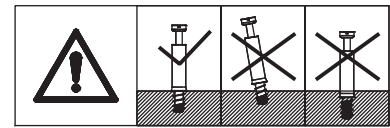


Insert wooden dowel(C) into board 2,3,4,5at first.
Attach board 2,3,4,5 to board 1 add cam lock(B)
into board 2,3,4,5 and turn clockwise to tighten as shown.

20

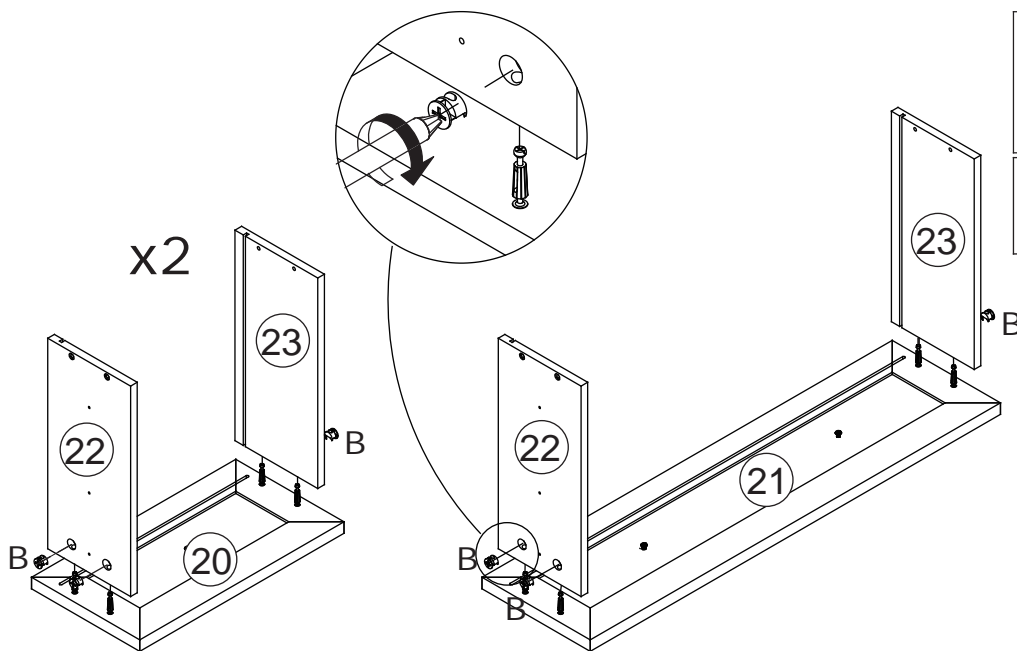
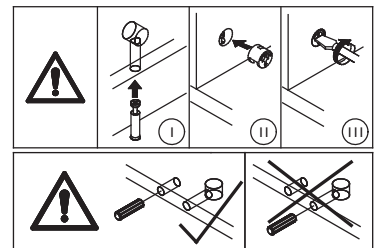
<p>A x 12</p>  <p>Ø 6 x 35 mm</p>	<p>H x 4</p>  <p>Ø 30 x 22 mm</p>	<p>G x 4</p>  <p>Ø 4 x 8 mm</p>	
--	--	--	--

Screw eccentric rod(A) into board 20,21 with a screwdriver as shown. Fix knob(H) with screw(G).



21

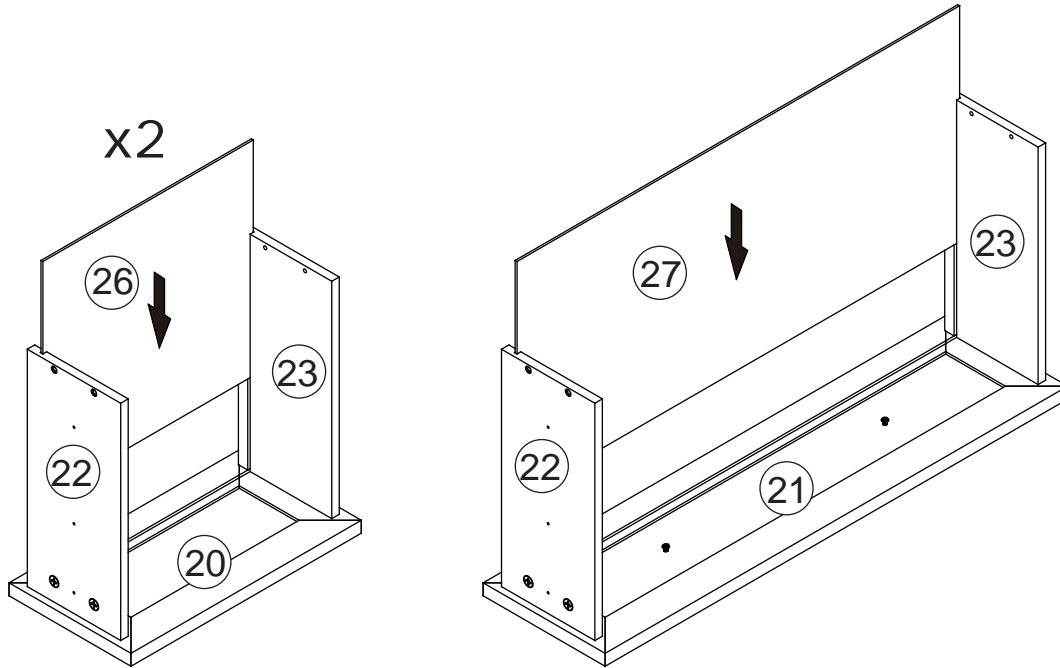
<p>B x 12</p>  <p>Ø 15 x 9.5 mm</p>	
--	--




Attach board 22,23 to board 20 and 21 add cam lock(B) into board 22,23 and turn clockwise to tighten as shown.

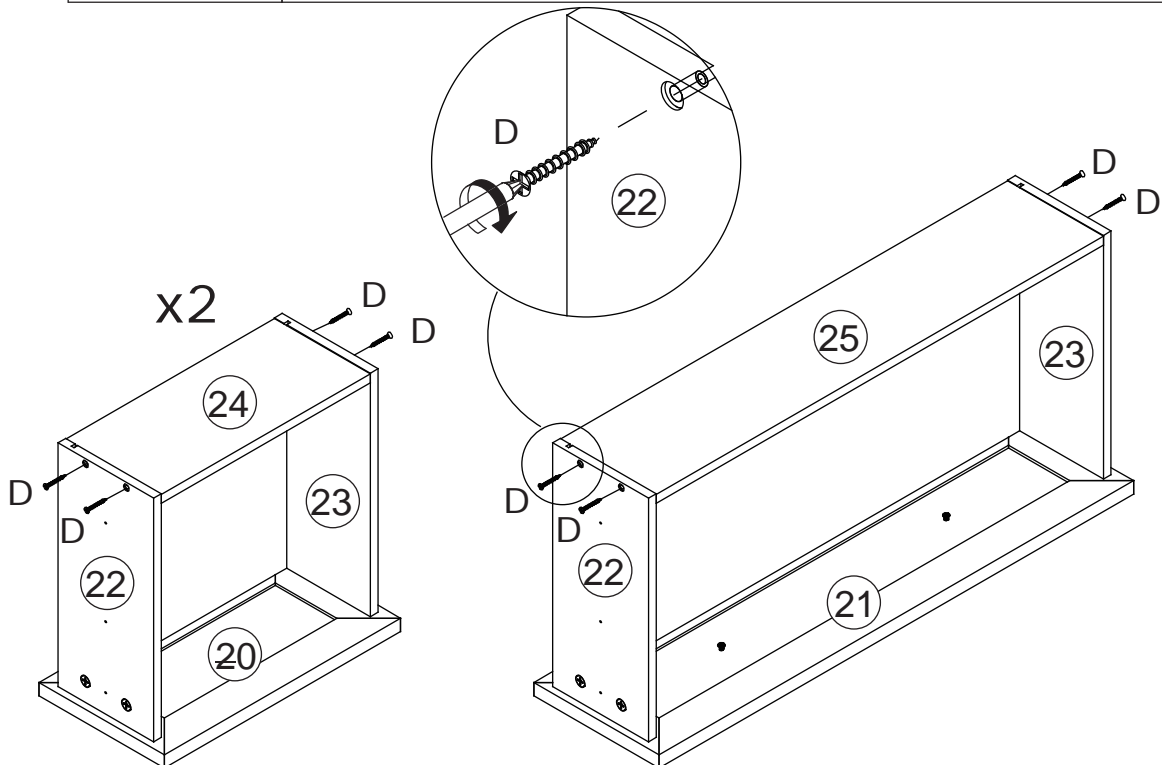
22

Insert board 26,27 along available grooves as shown.





23

D x 12

Ø4 x 35 mm

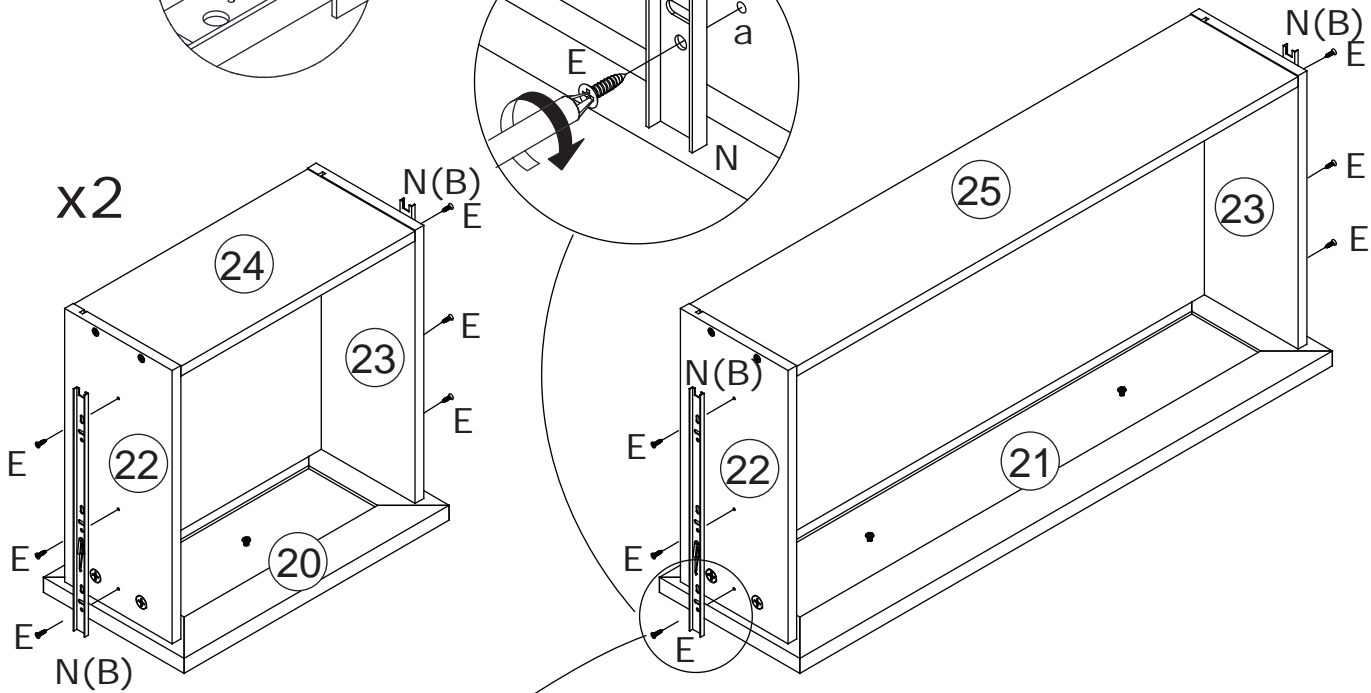
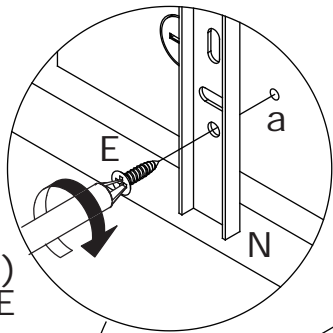
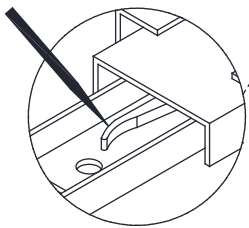
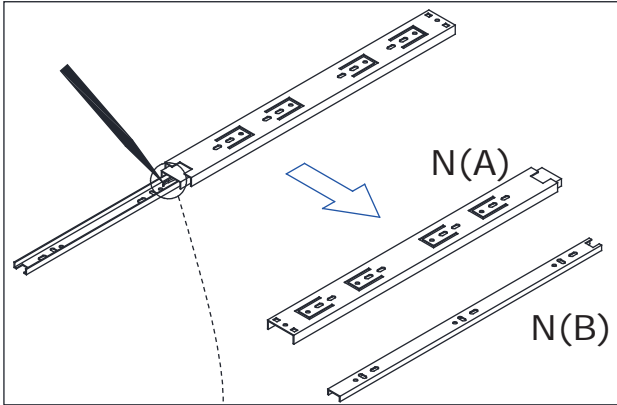


Fix part 24,25 to board 22 and 23 with screw(D) as shown.

24

N x 3 SETS 	E x 18  Ø 3.5 x 14 mm	
---	--	--

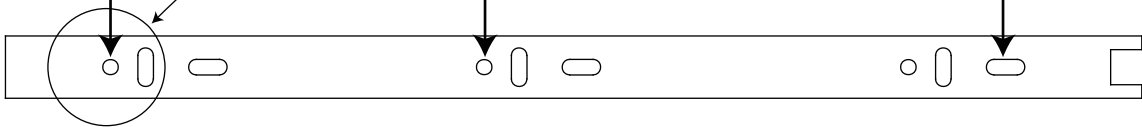
Fix runner(N) to board 22 and 23 with screw(E) as shown.



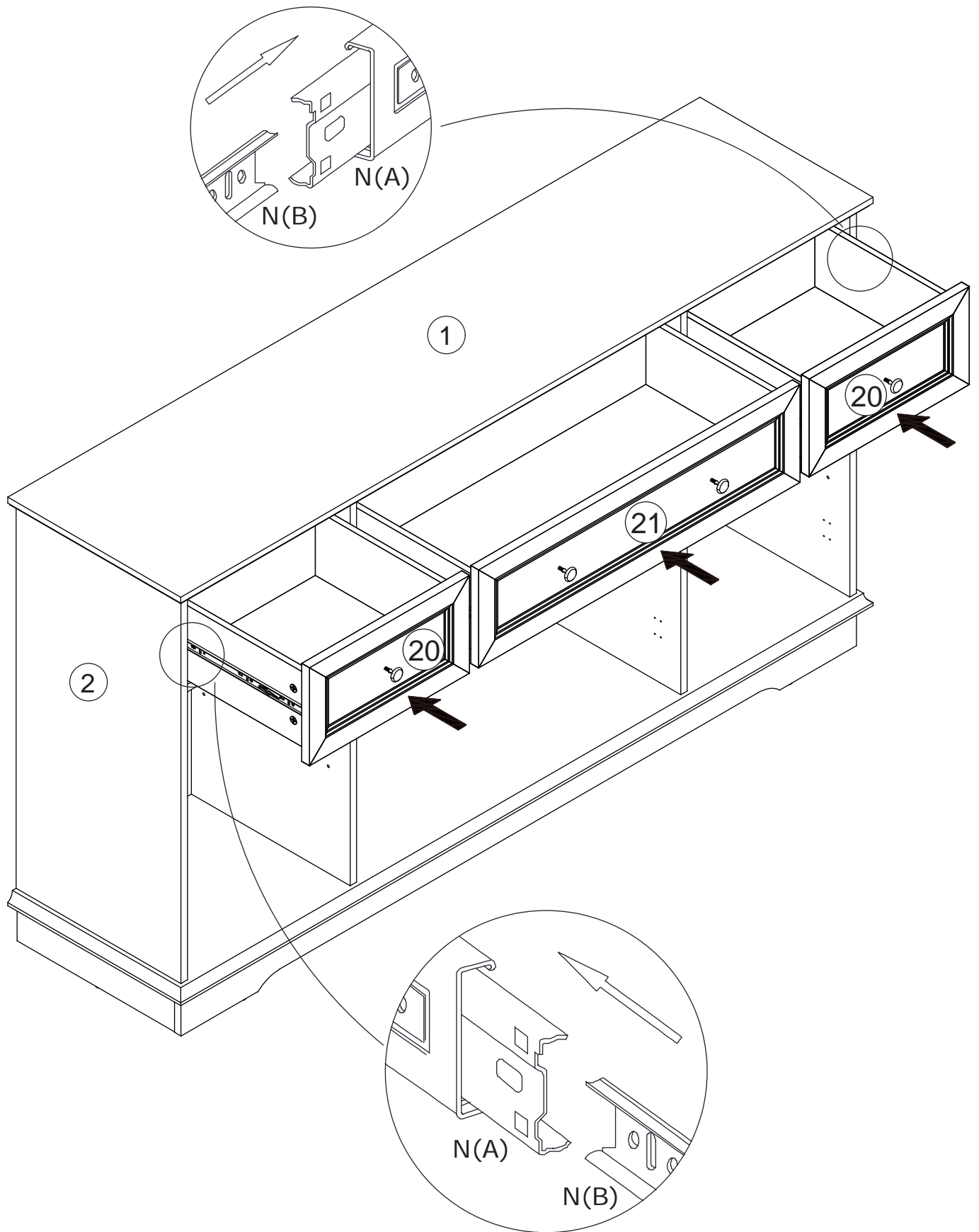
Use this hole

Use this hole

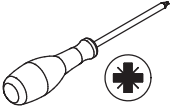
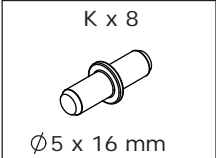
Use this hole



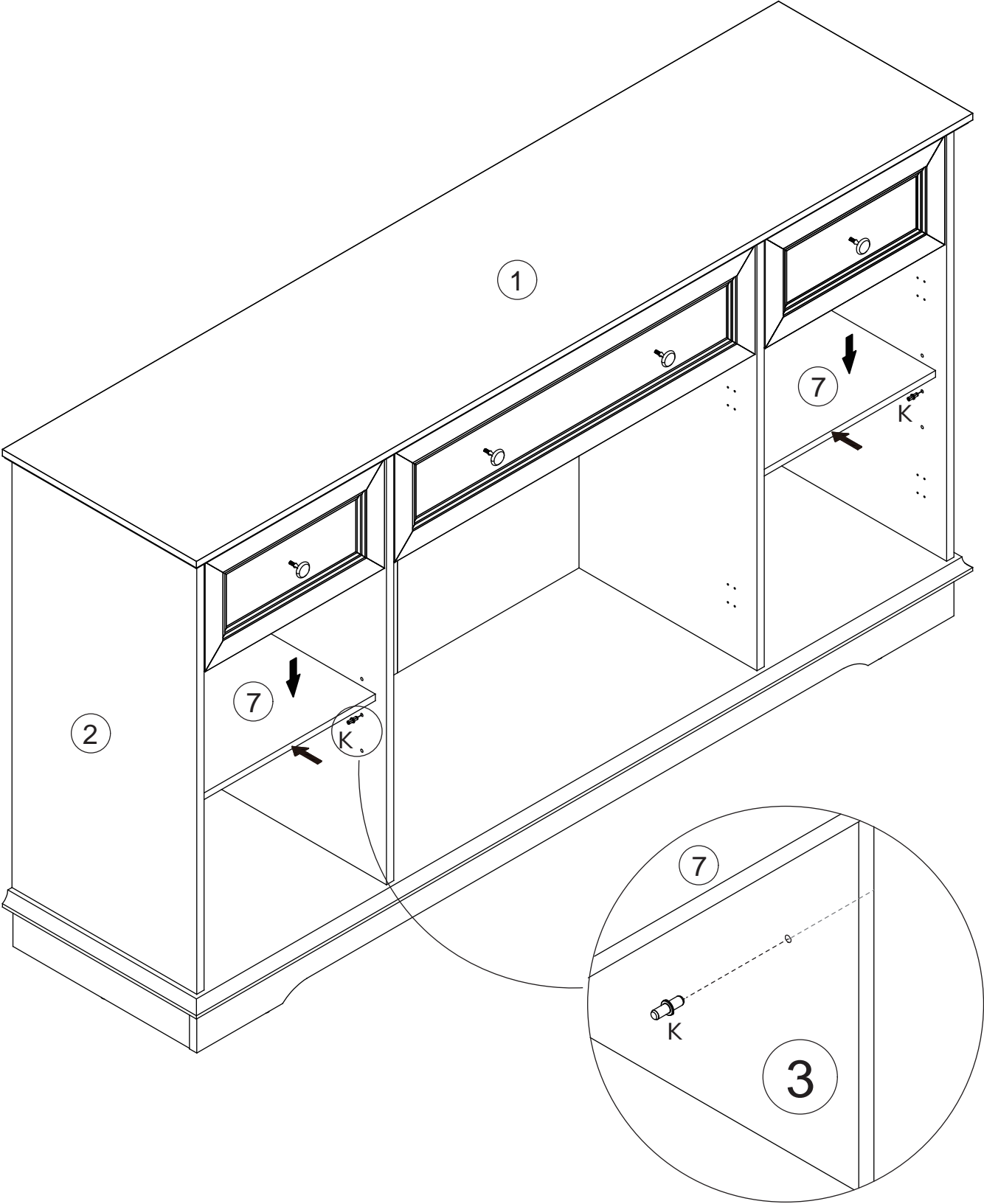
25




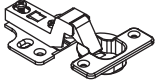


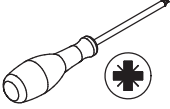
26



Insert layer pin(K) into board 2, 3, 4 and 5, then place shelf board 7.

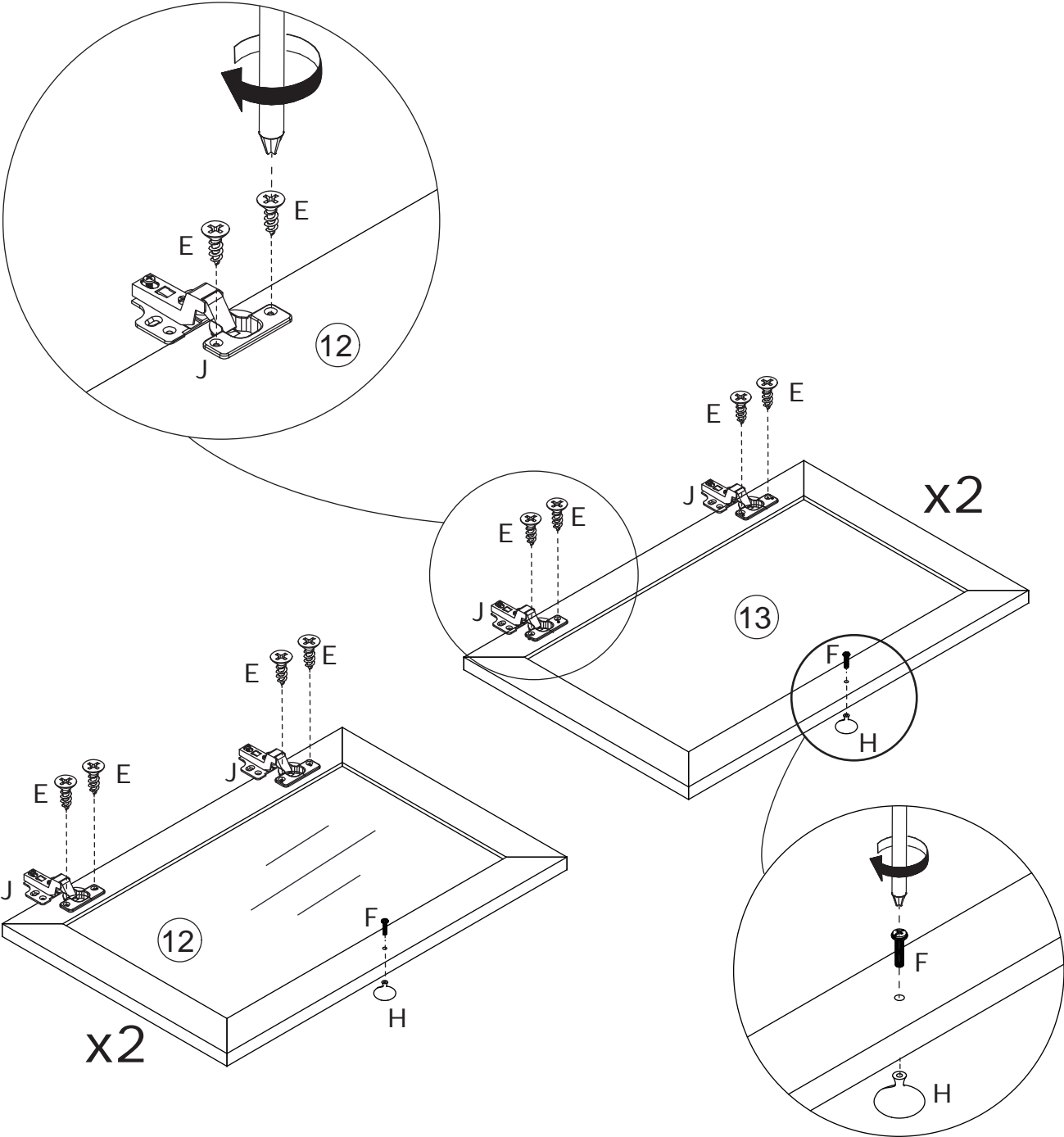


27

<p>E x 16</p>  <p>Ø 3.5 x 14 mm</p>	<p>J x 8</p>  <p></p>	<p>F x 4</p>  <p>Ø 4 x 21 mm</p>	<p>H x 4</p>  <p>Ø 30 x 22 mm</p>	
--	--	---	---	---

Fix hinge(J) to board 12 and 13 with screw(E) as shown.

Fix knob(H) with screw(F) as shown.

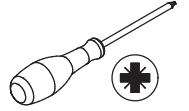


28

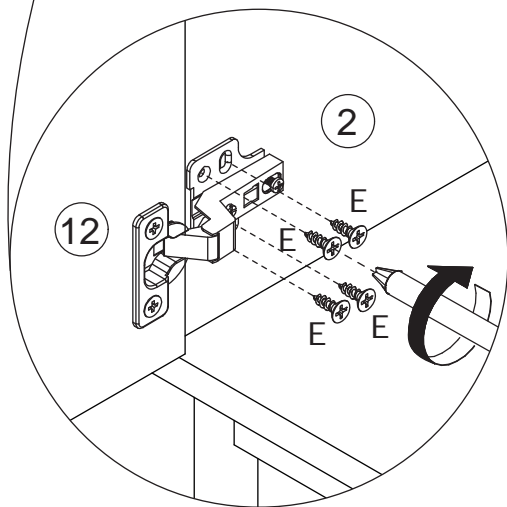
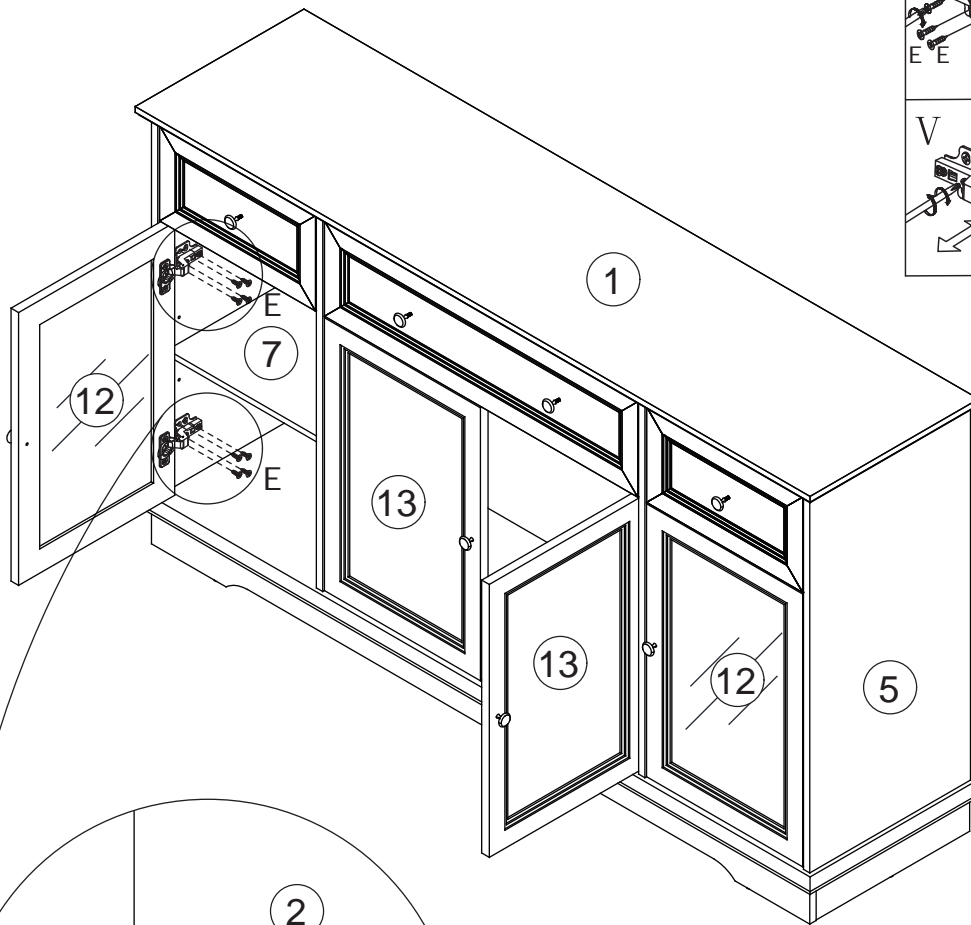
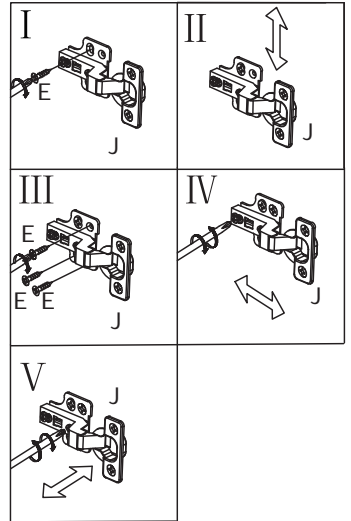
E x 32

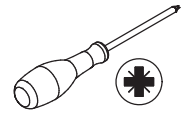


Ø 3.5 x 14 mm



Assemble door 12 to board 2,5 by fixing hinge with screw(E) as shown.
Assemble door 13 to board 3,4 by fixing hinge with screw(E) as shown.

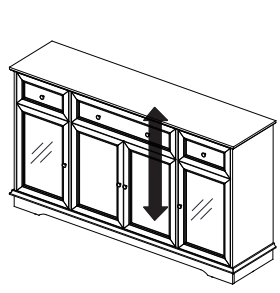
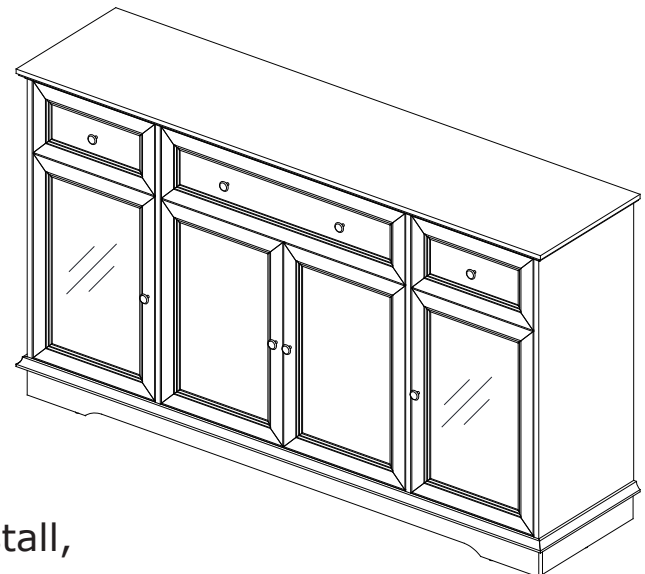




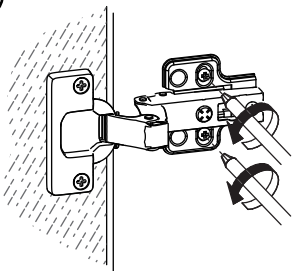
If doors are still not aligned if the hinges are properly correctly, please watch the video.

<https://youtu.be/n0Lb36SoODM>

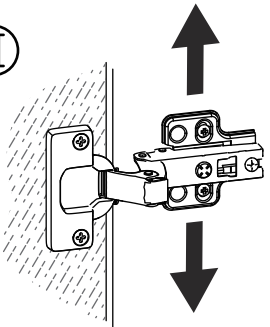
If there is misalignment after you install, adjust the screw to the best condition



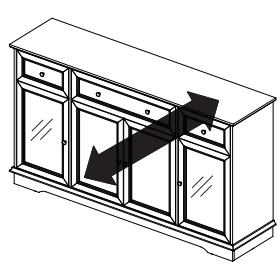
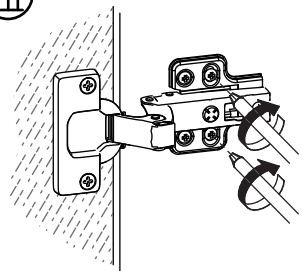
I



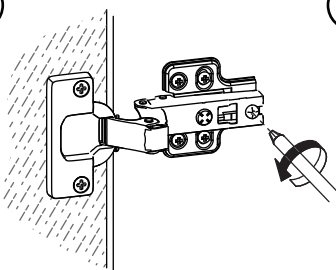
II



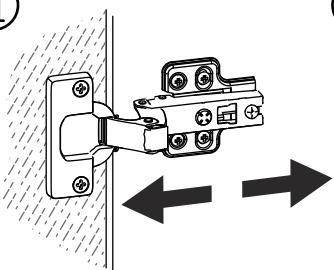
III



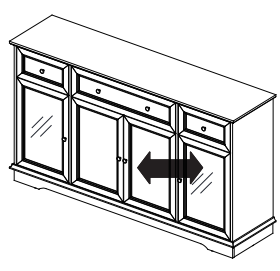
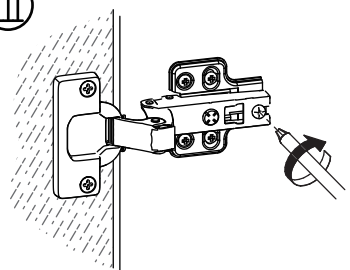
I



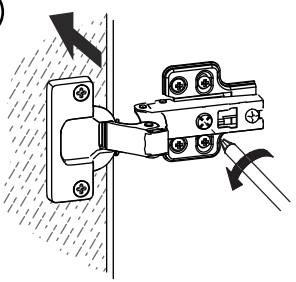
II



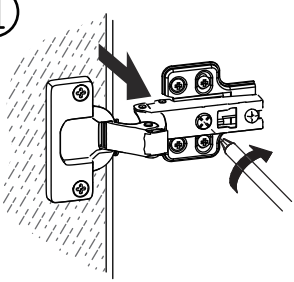
III



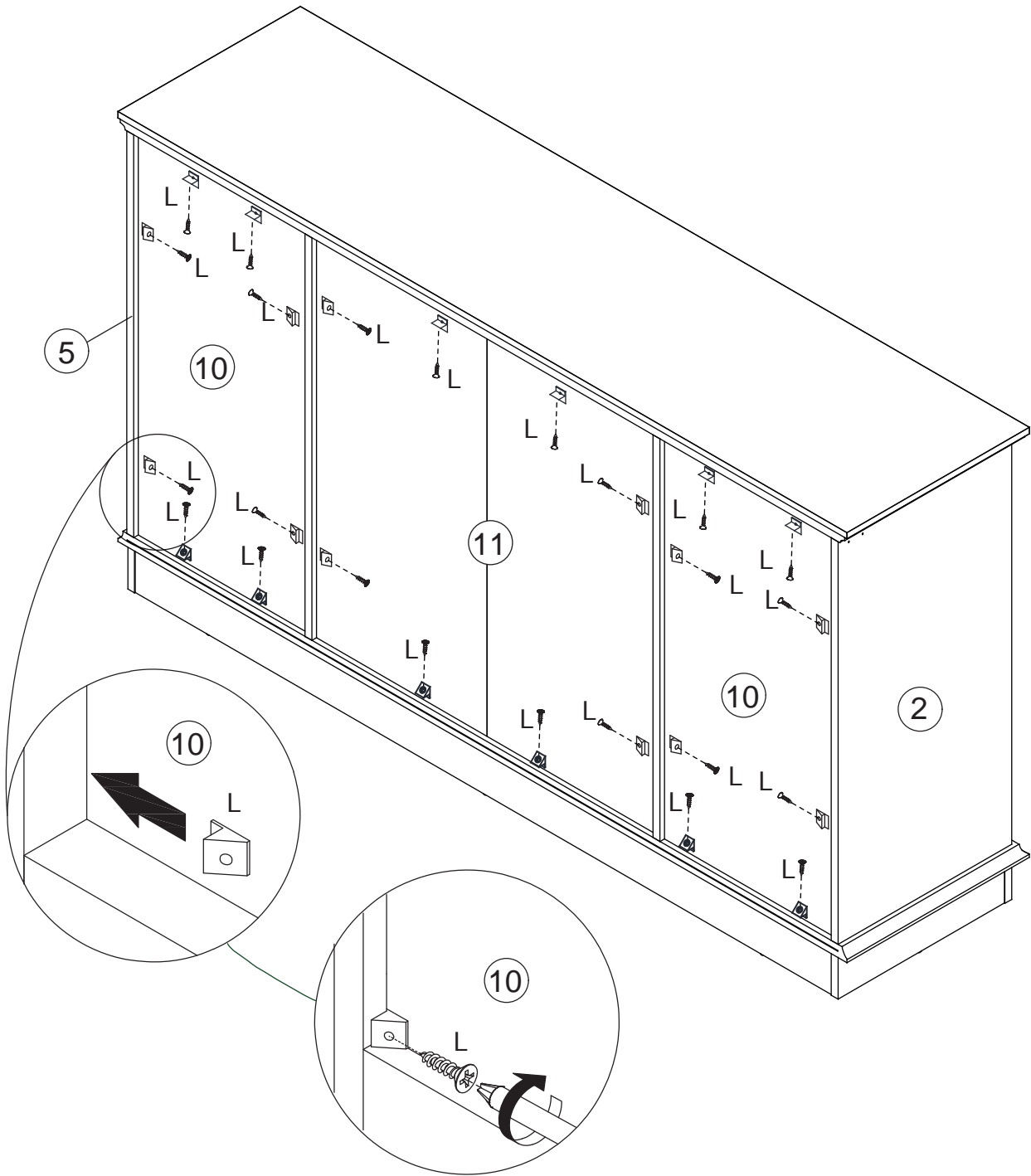
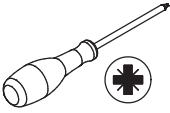
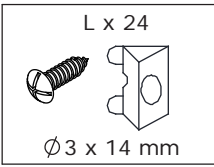
I



II



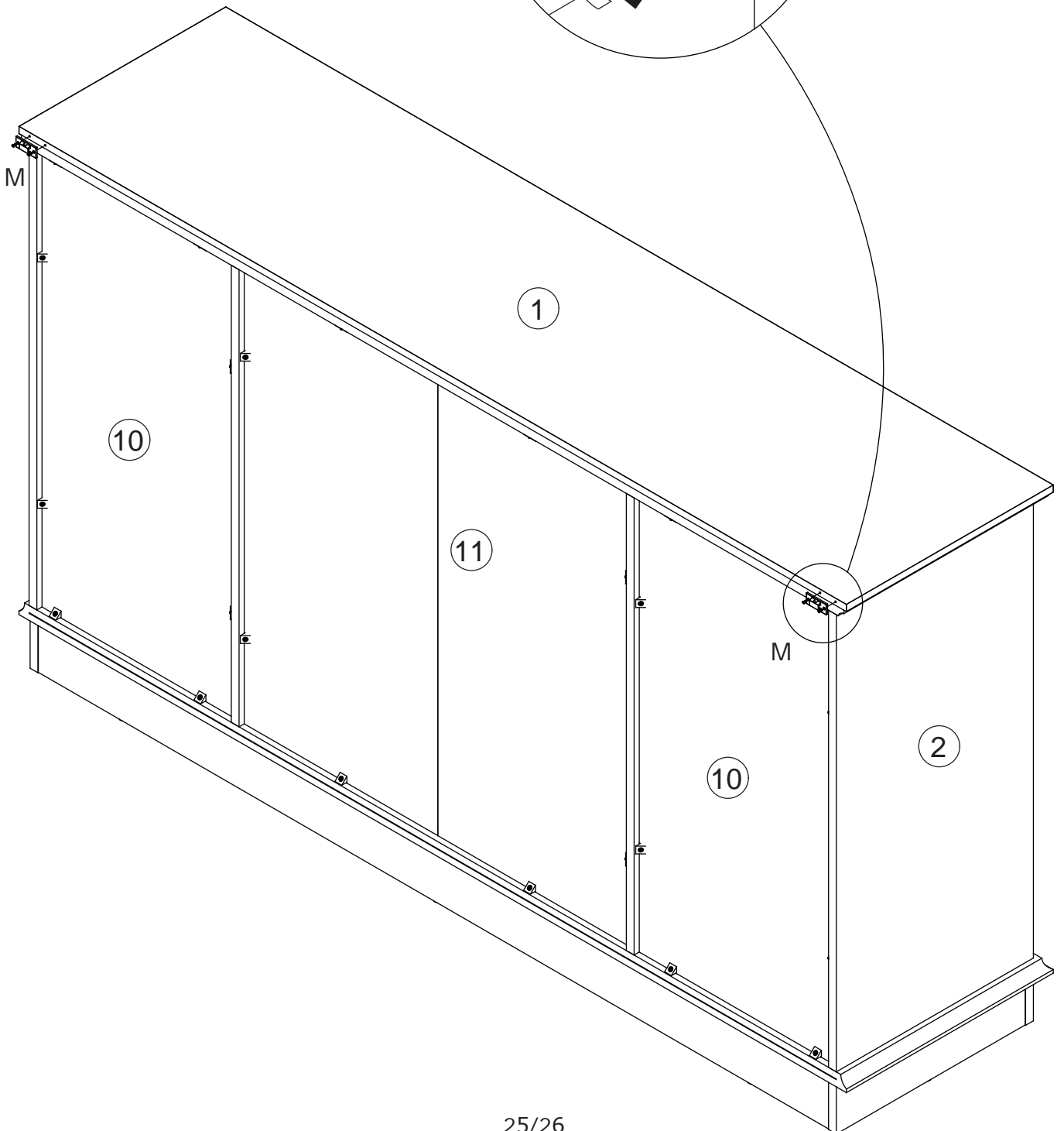
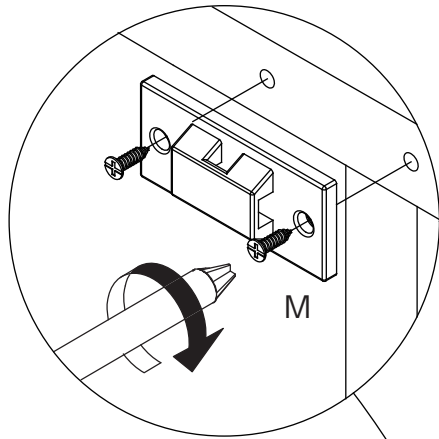
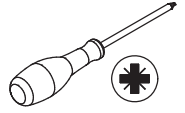
30



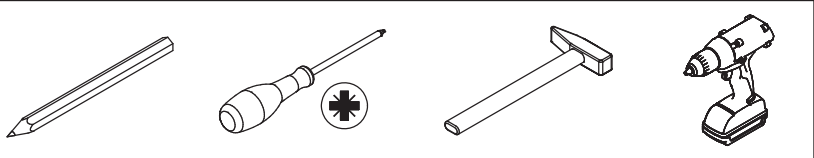
Insert buckle(L) into back slots and fix with screw(L) as shown.


31

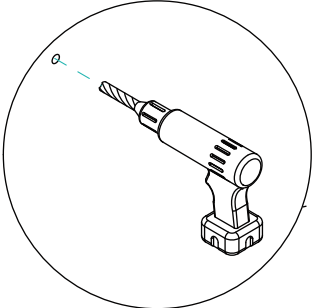
M x 2 SETS



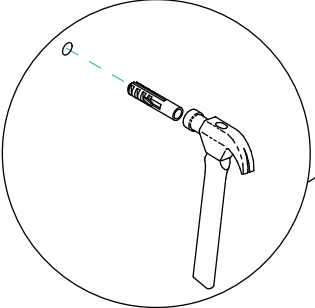
32



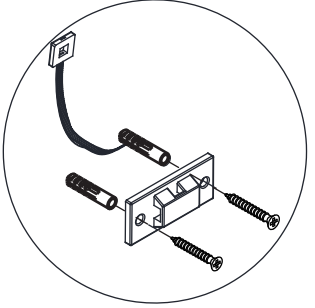
 Attention: For safety and stability, we suggest you have to secure the anti-tip accessories to the wall to prevent tipping, injury, and property damage.



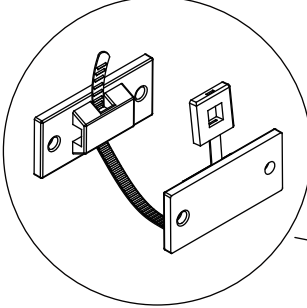
STEP1



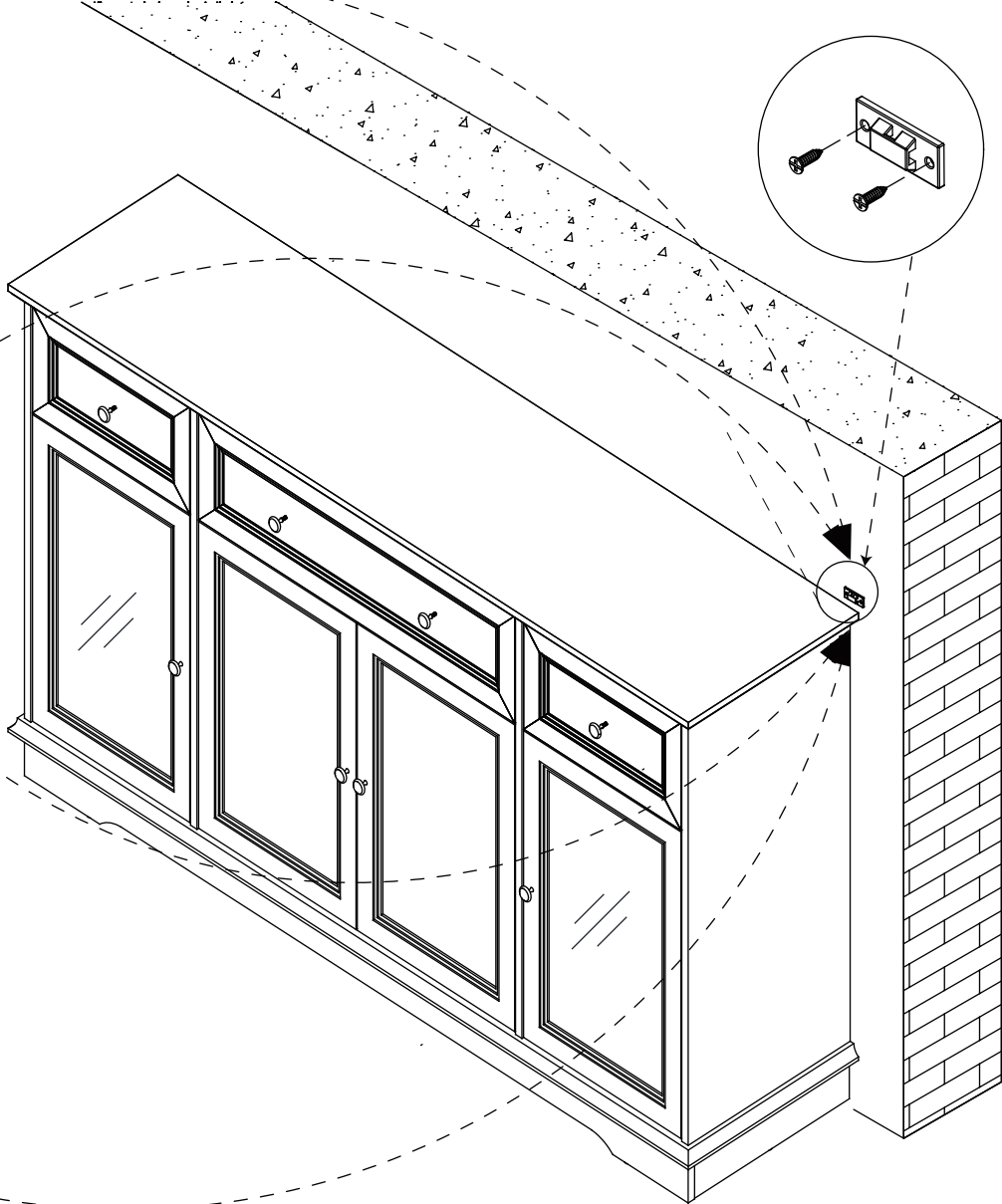
STEP2



STEP3



STEP4



WARRANTY

WARRANTY CLAIMS

- There is a 30-day warranty for broken furniture or any other problems that do not work properly. The warranty will start from the date of purchase which must be verified by proof of purchase.
- Before making a claim, we may be able to answer your query, simply call us. Please leave your purchase order number, along with some details of the problem, if you want a replacement part. We will arrange within 48 hours. If there is out of stock, we will reply with a shipping date.
- The product must be used in accordance with the instructions provided. For health reasons.
- For other reasons, if the furniture needs to be returned, it must be cleaned and dried and operated within 30 days of receipt.

Type of Warranty Claim

- Failure to follow the furniture instructions will invalidate the warranty. Attention please.
- Does not include damage during installation, but includes damage during transportation.

Scope of responsibility

- Shall not bear any responsibility for misuse or user damage and / or loss of parts during the installation of furniture.
- After using, the damage and scratches of the furniture are not covered by the warranty.

The Warranty Relates to All Bought in The Us and Covers The Following Areas

- Sheet parts: 1 month from the date of purchase.
- Electrical parts: 1 month from the date of purchase.