

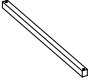


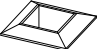
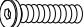
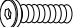


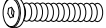


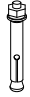





5-Step Handrail

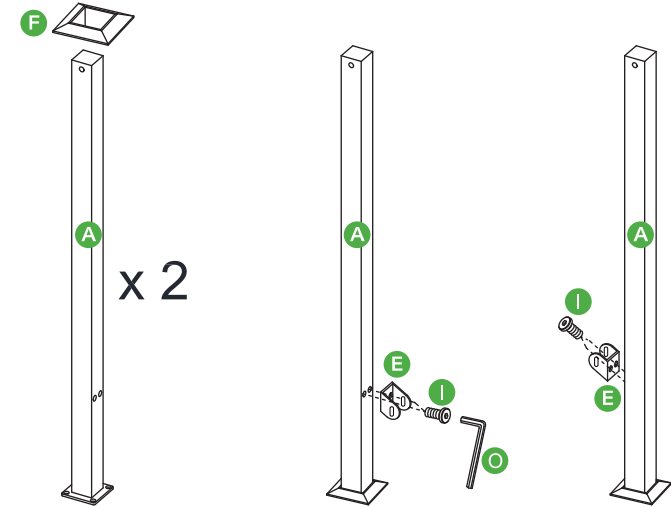
PARTS LIST

A  2 pcs.	B  1 pc.	C  9 pcs.
D  1 pc.	E  2 pcs.	F  2 pcs.
G M6x30mm  2 pcs.	H M6x20mm  2 pcs.	I M6x10mm  4 pcs.
J M6x25mm  4 pcs.	K M6x35mm  18 pcs.	L M6  18 pcs.
M 5x30mm  8 pcs.	N  8 pcs.	O M6  2 pcs.
P M6  1 pc.	Q M8  1 pc.	

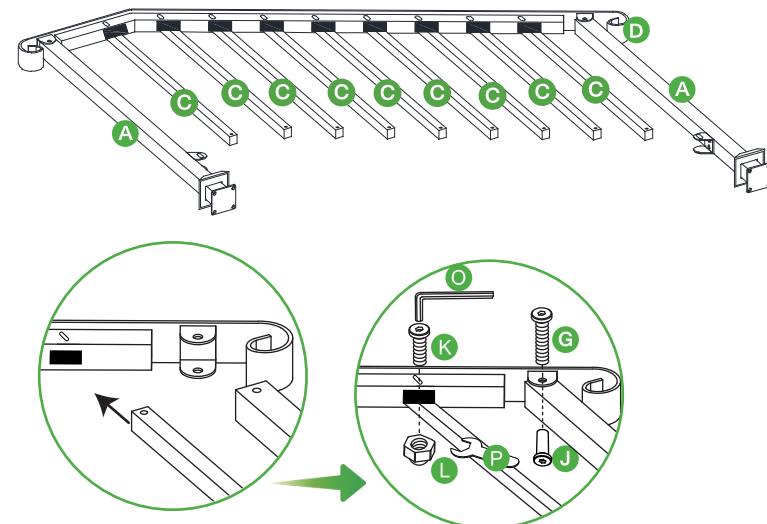
INSTALLATION

Note: During the assembly process, please do not fully tighten the screws. Only tighten them after assembly is complete.

STEP 1

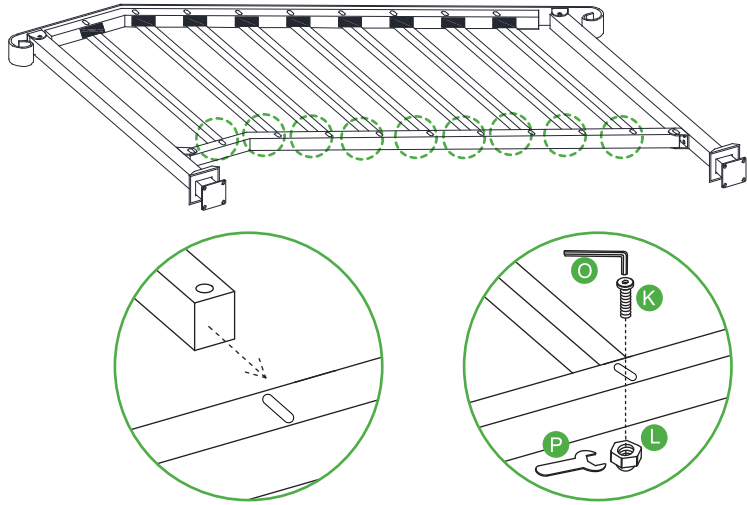


STEP 2

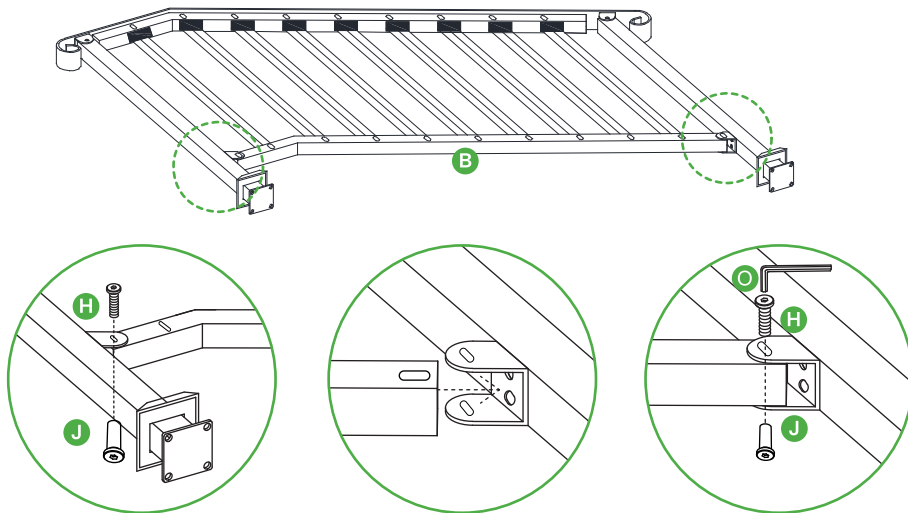


INSTALLATION

STEP 3



STEP 4

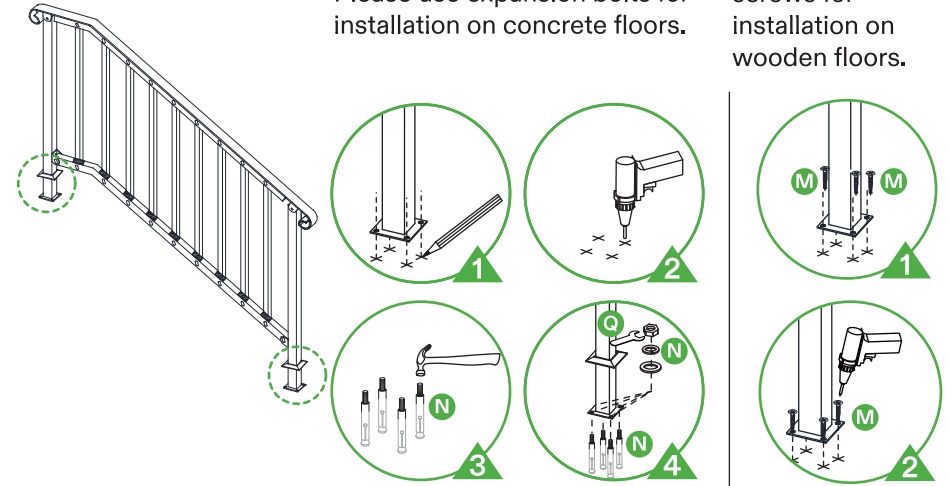


INSTALLATION

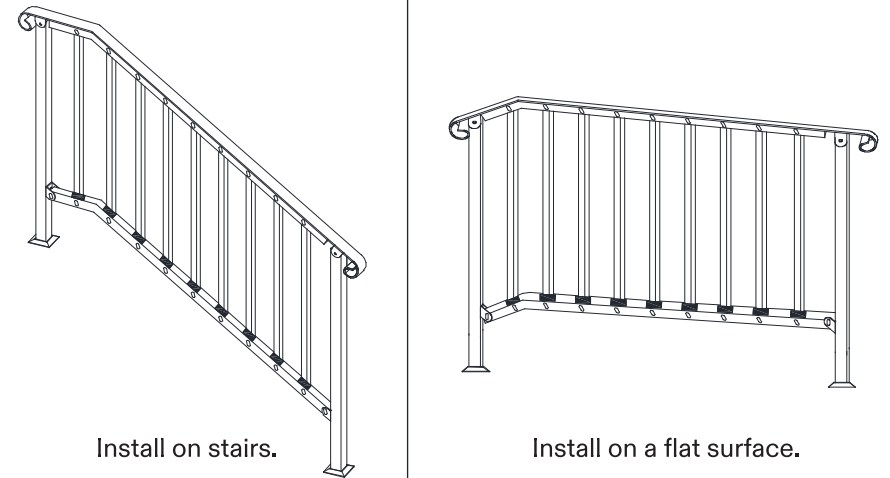
STEP 5

Please use expansion bolts for installation on concrete floors.

Please use regular screws for installation on wooden floors.



STEP 6



Install on stairs.

Install on a flat surface.