



626-679-3588

service@getprohome.com

www.getprohome.com

162 Atlantic St, Pomona, CA 91768



PRODUCT  
INSTRUCTION  
VIDEO

www.getprohome.com

# INSTALLATION MANUAL

## PIVOT SHOWER DOOR



### GTL30/32/34/36

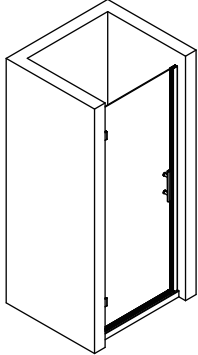
(P2-P16) Left Hinged Door

(P17-P33) Right Hinged Door

# AVAILABLE SIZES

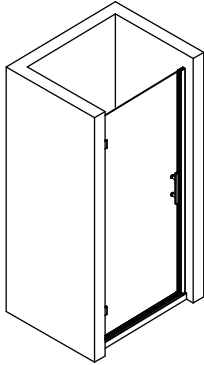
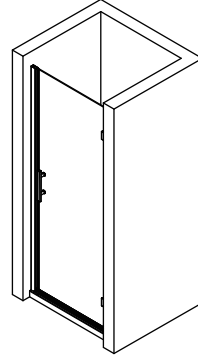
Color Option: Chrome / Matte Black

Left Hinged Door

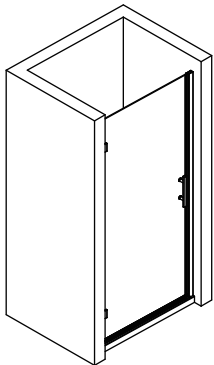
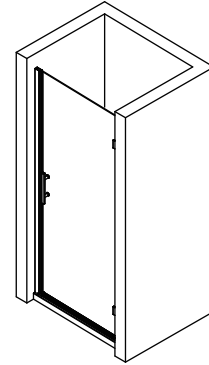


30" W x 72" H

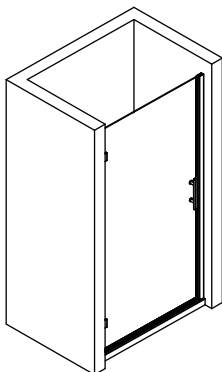
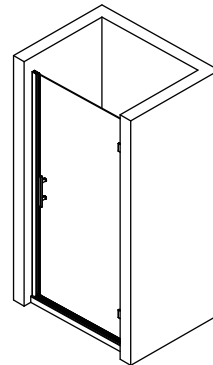
Right Hinged Door



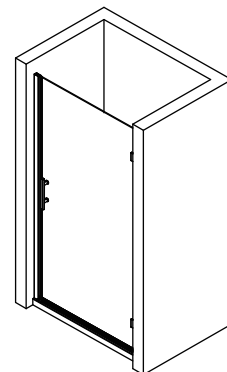
32" W x 72" H



34" W x 72" H



36" W x 72" H



# THANK YOU!

*Dear Valued Customer,*

*Thanks to your kind support of BESTGO, we hope our product can improve the quality of your life.*

*As our valued customer, your comments and opinions are very important to us. If you have any concerns, questions, or comments, we hope that you will bring them to our attention.*

*Please keep the carton and packaging materials until your product is completely installed.*

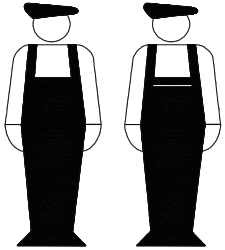
*Feel free to contact us if you encounter any problems such as missing parts, or product defects during the installation process. We are happy to provide you with the most sincere service.*



*Sincerely,  
BESTGO Service Team*

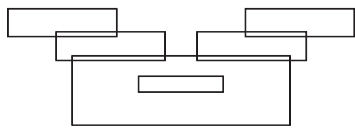


Please read all instructions carefully before installation.

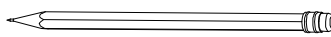


Due to the complexity of the installation process, professional plumbers are recommended.

## Required Tools



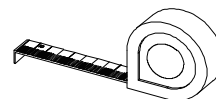
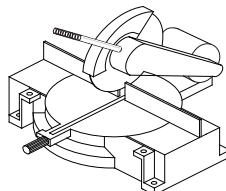
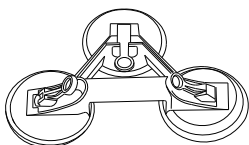
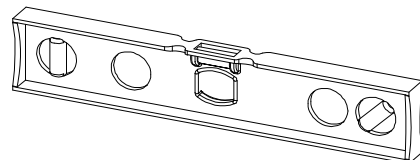
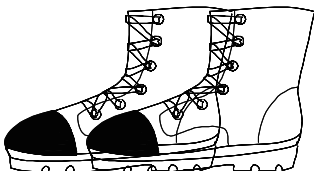
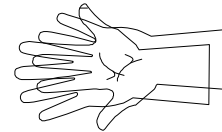
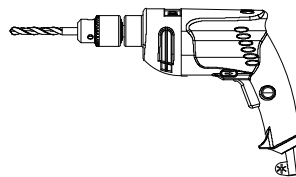
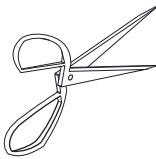
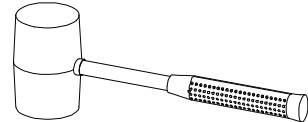
$\Phi 1/8''$

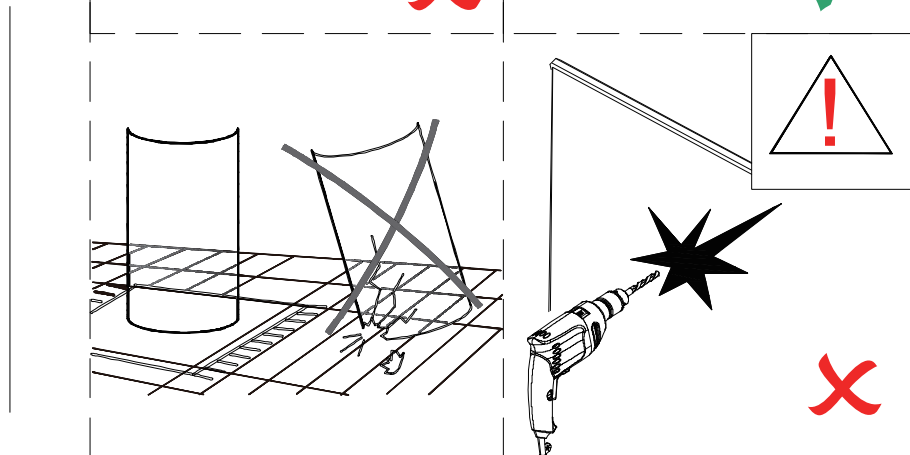
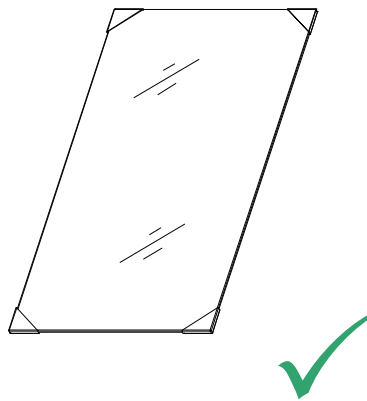
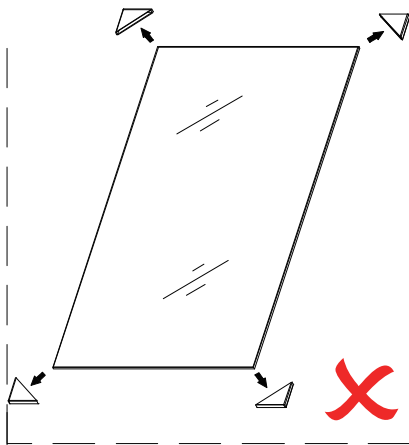
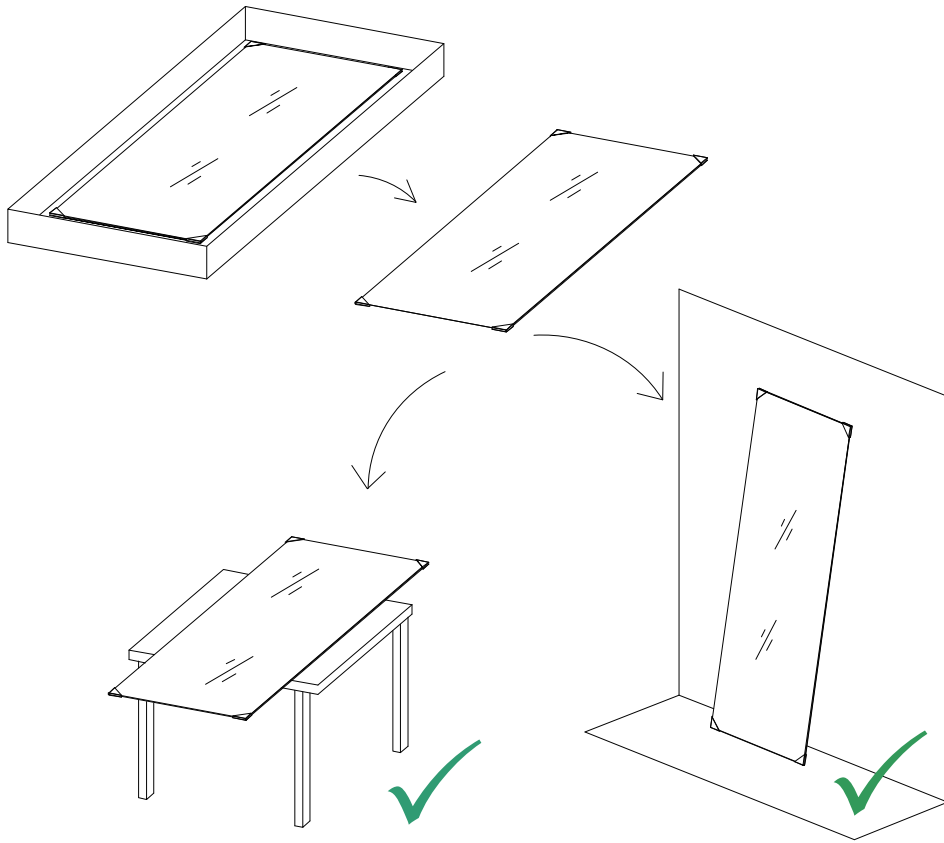


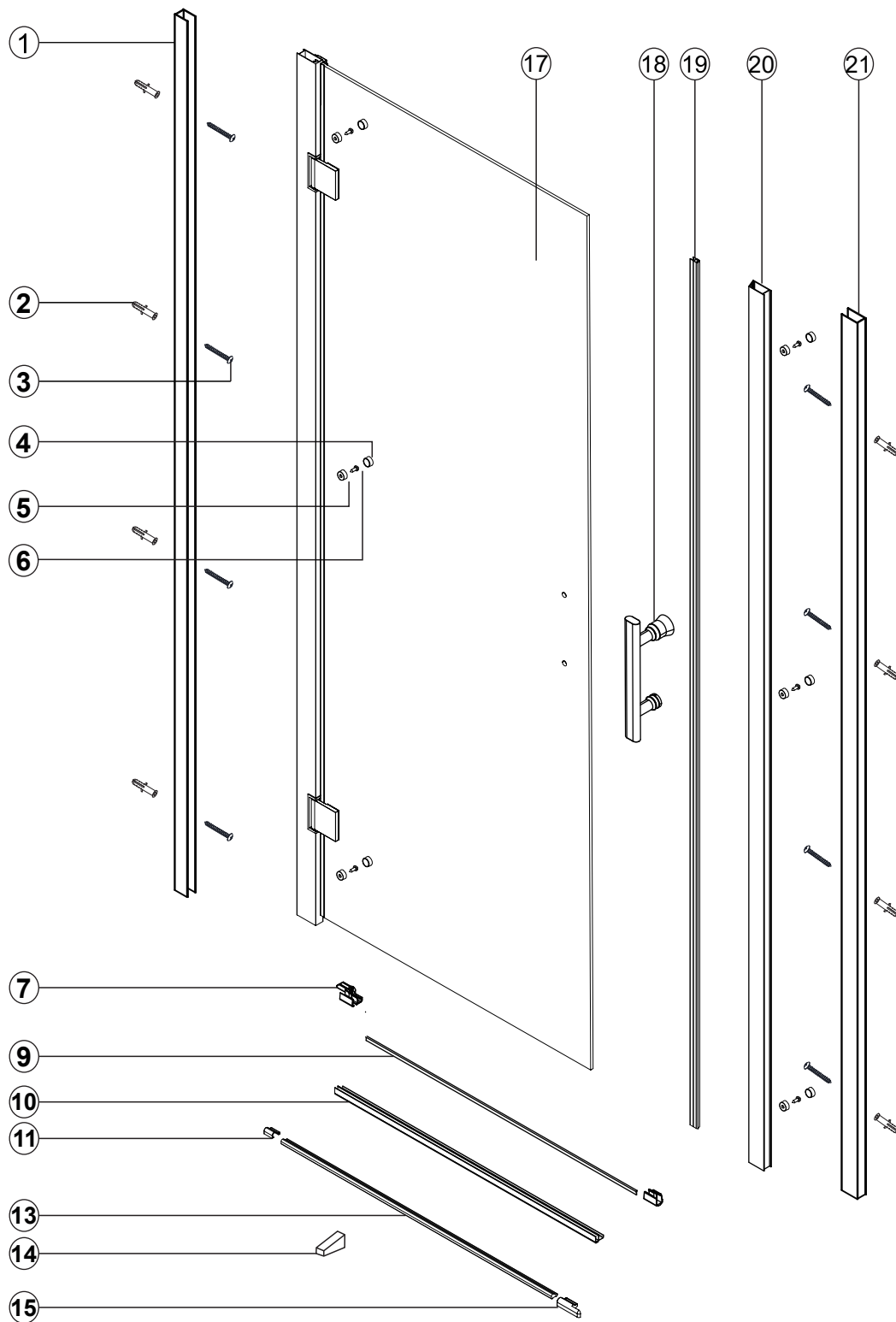
$\Phi 1/4''$



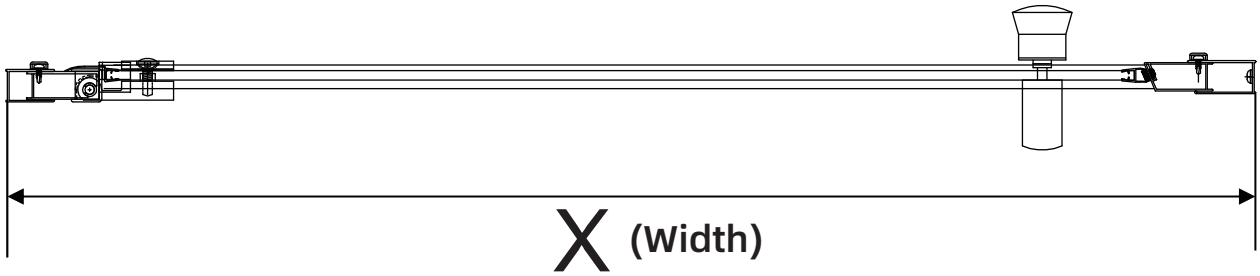
$\Phi 5/16''$



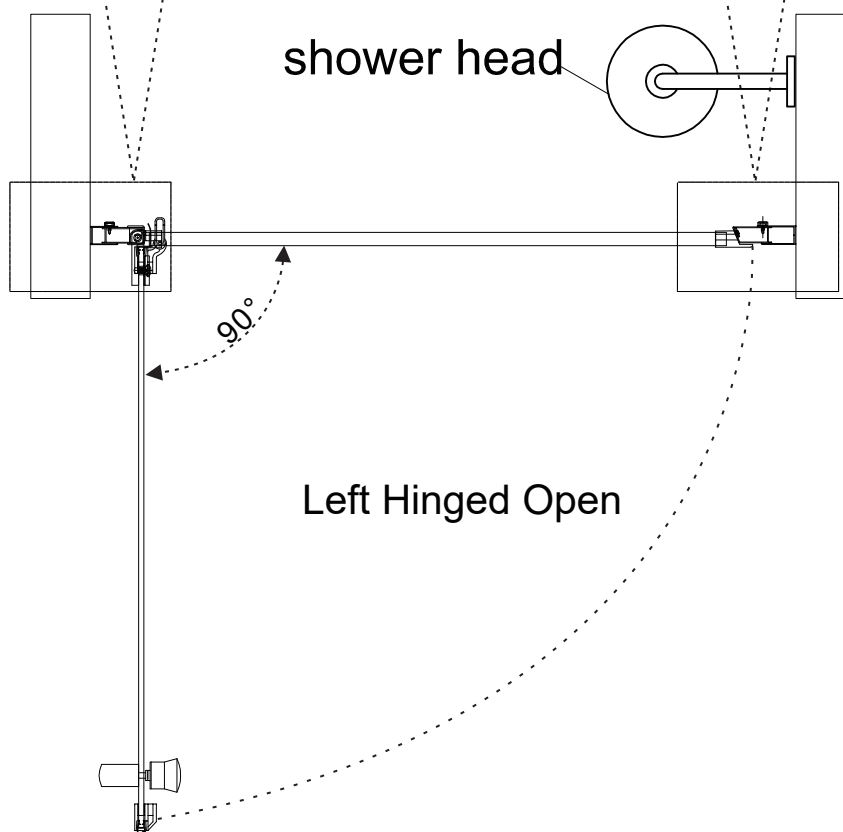
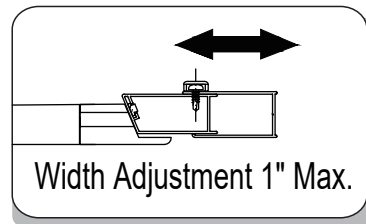
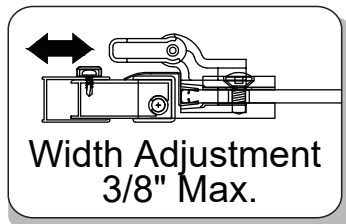


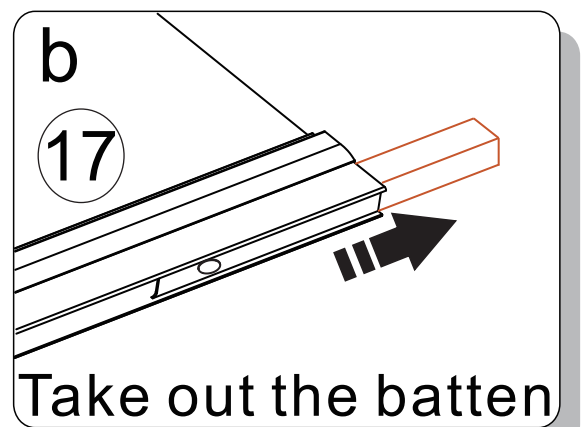
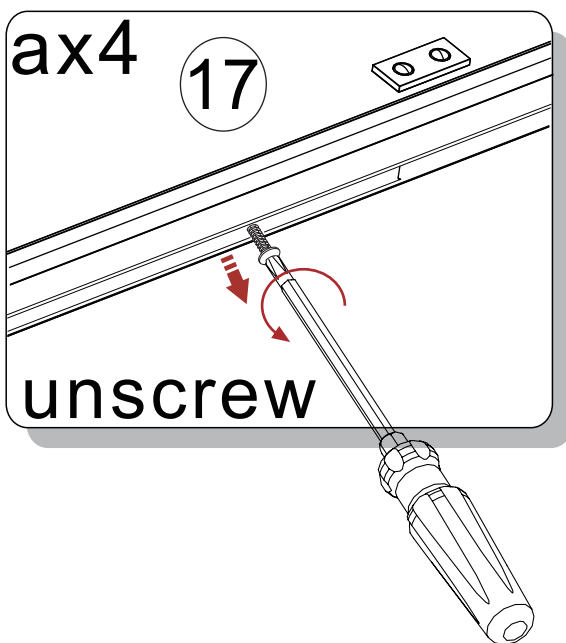
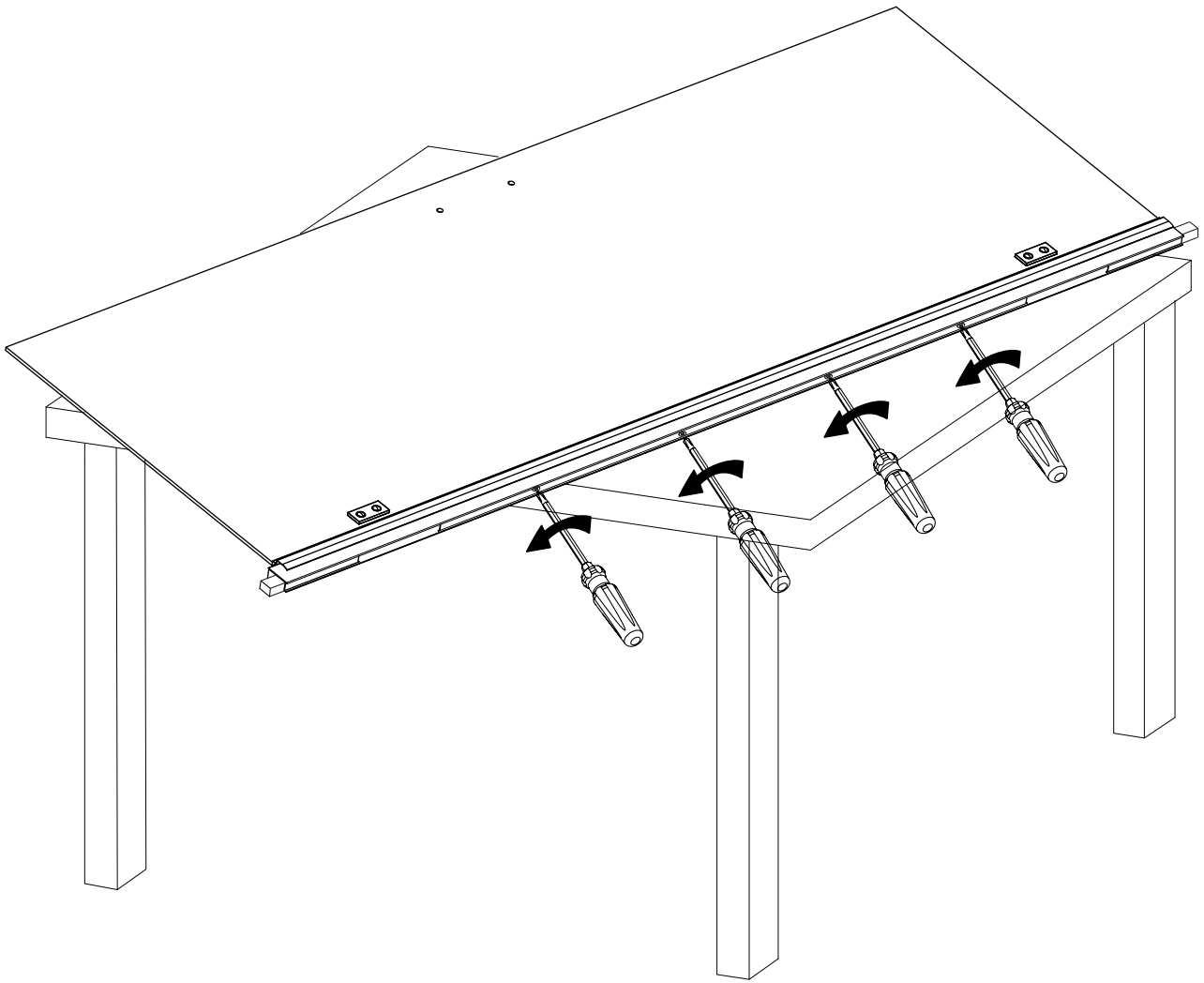


NO.	Picture	Qty	NO.	Picture	Qty	NO.	Picture	Qty	NO.	Picture	Qty	NO.	Picture	Qty
①		1	②		10	③	 Φ3/16" Dx1-9/16" L	10	④		8	⑤		8
⑥	 Φ3/16" Dx1/2" L	8	⑦		1	⑨		1	⑩		1	⑪		1
⑬		1	⑭		1	⑮		1	⑰		1	⑱		1
⑲		1	⑳		1	㉑		1						

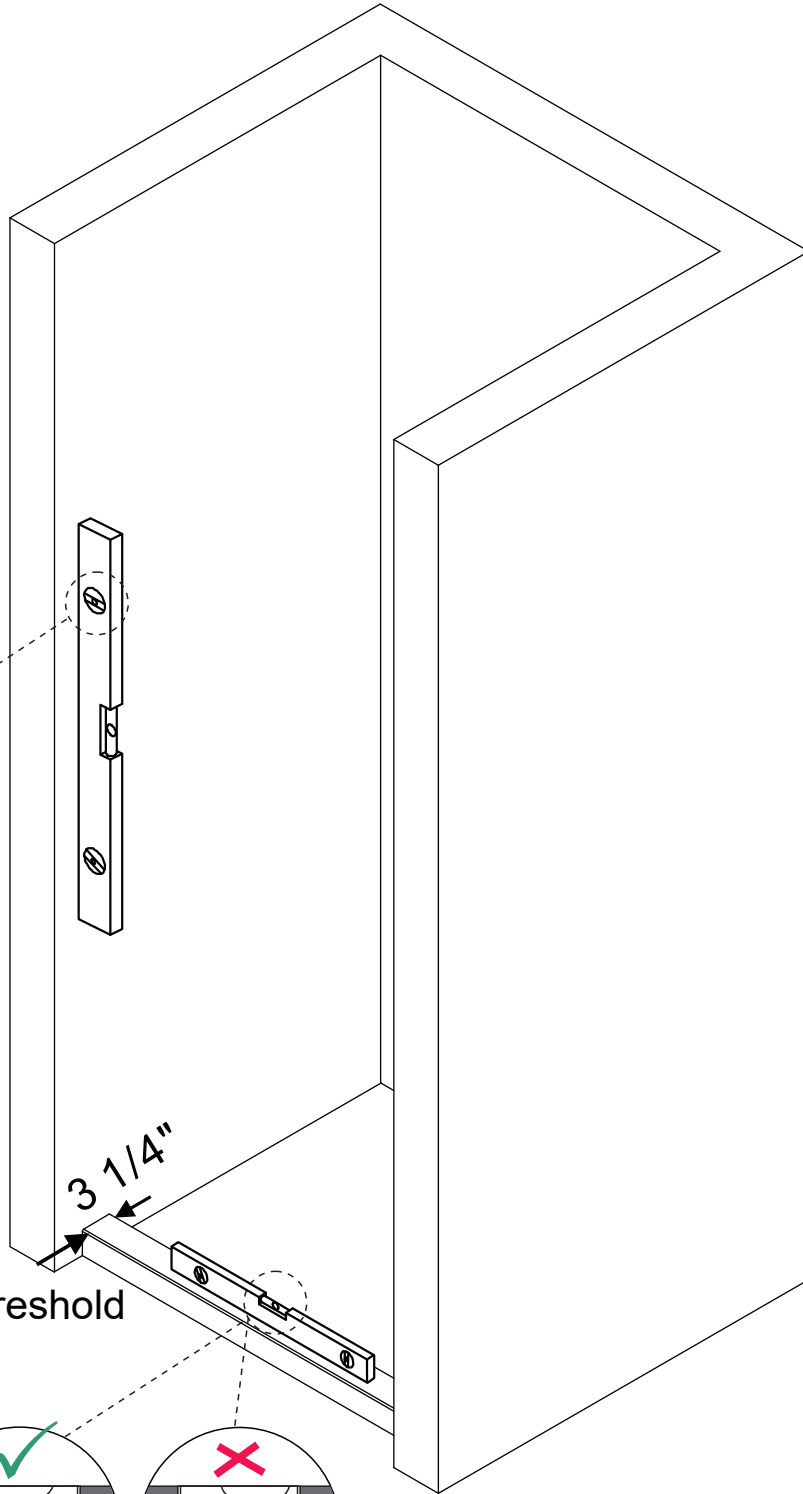
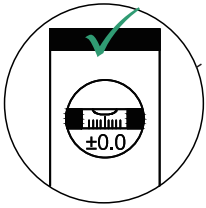


	Height	X (Width)	
		Min.	Max.
30"W x 72"H	72"	30"	31 1/4"
32"W x 72"H	72"	32"	33 1/4"
34"W x 72"H	72"	34"	35 1/4"
36"W x 72"H	72"	36"	37 1/4"



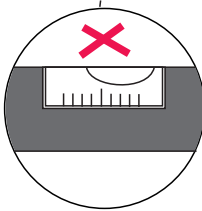
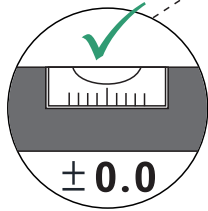


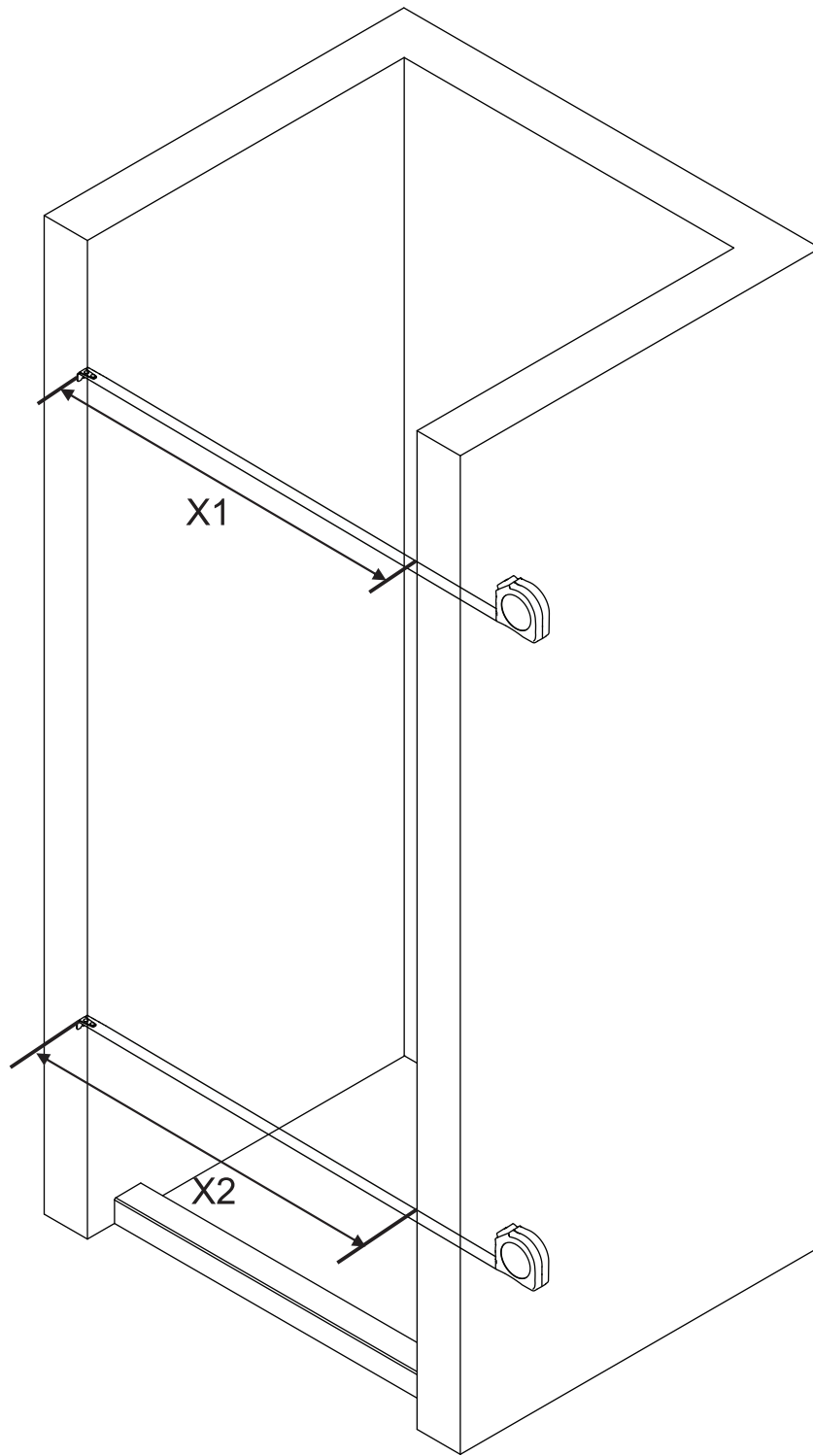
Installation wall  
must be plumb



Threshold

3 1/4"





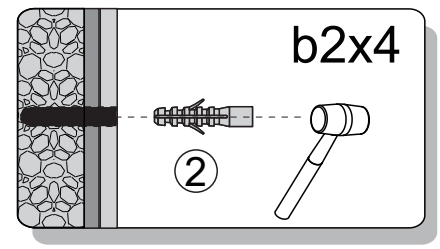
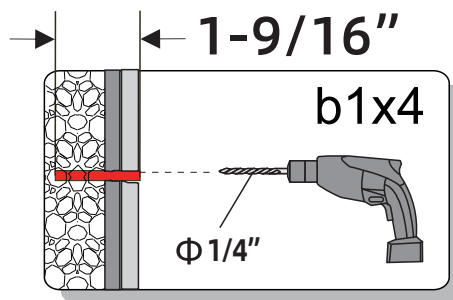
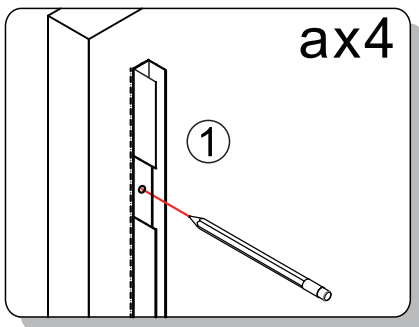
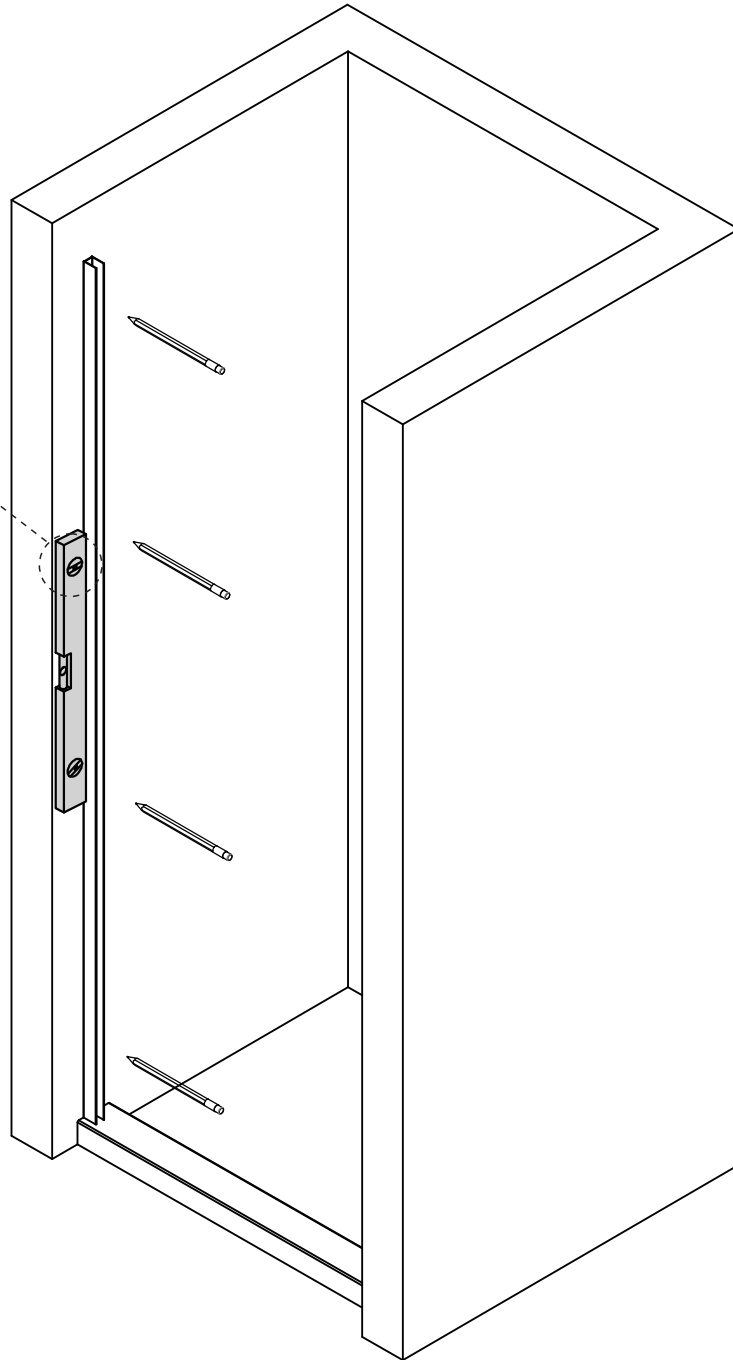
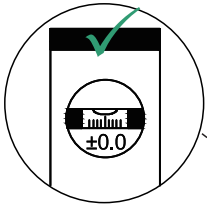


If the width of the upper and lower walls is inconsistent, please trim the wall


**X1=X2**

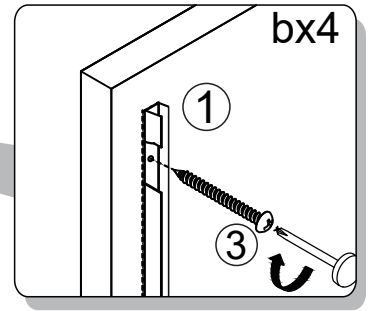
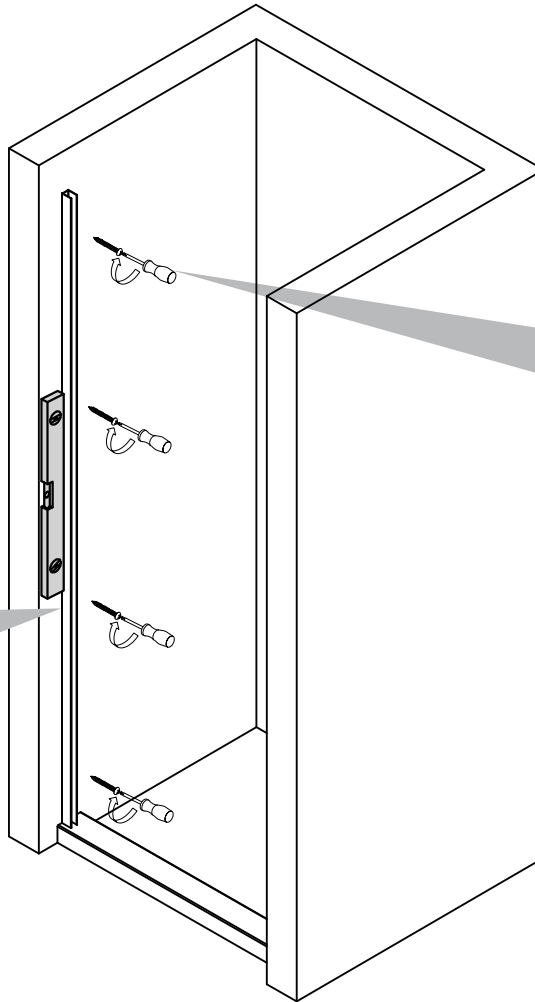
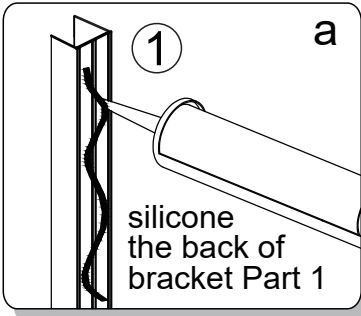
# 1

NO.	Picture	Qty
①		1
②		4


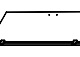


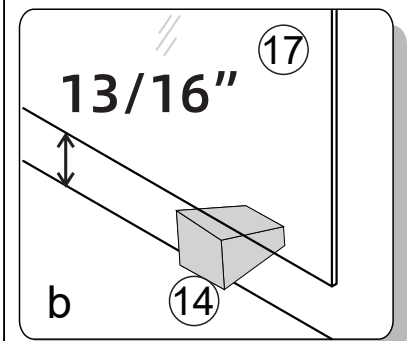
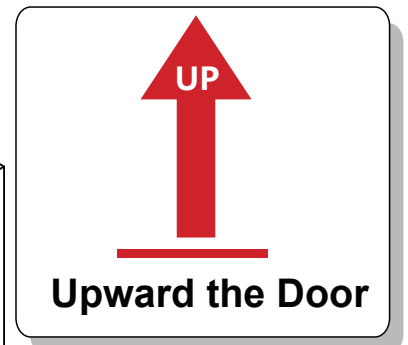
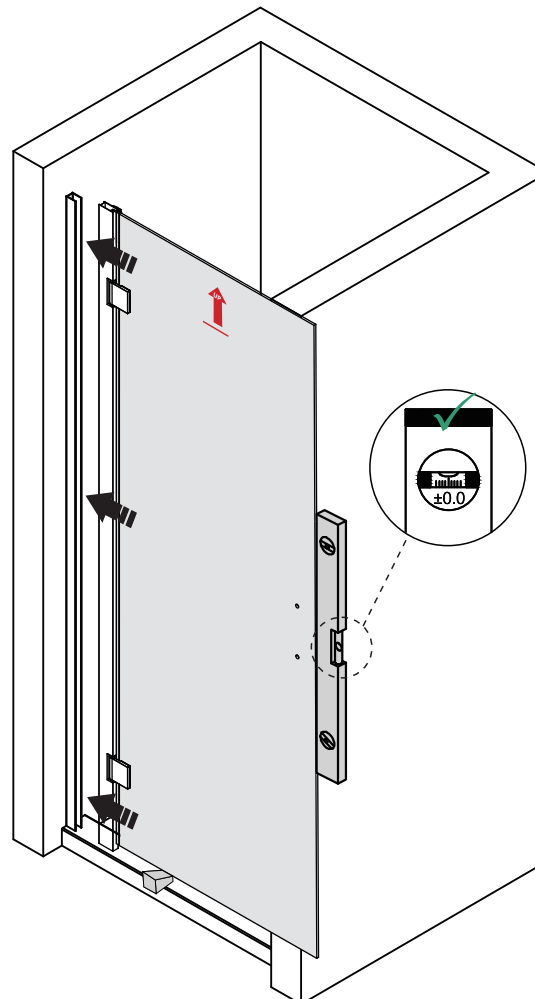
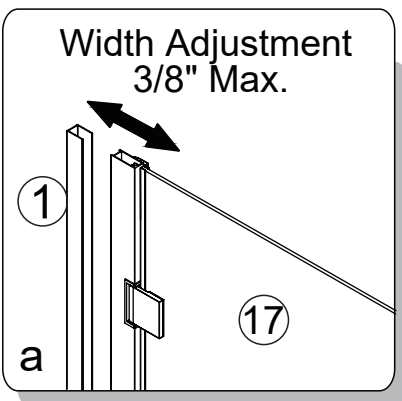
# 2

NO.	Picture	Qty
3	 $\Phi 3/16'' \text{ D} \times 1-9/16'' \text{ L}$	4



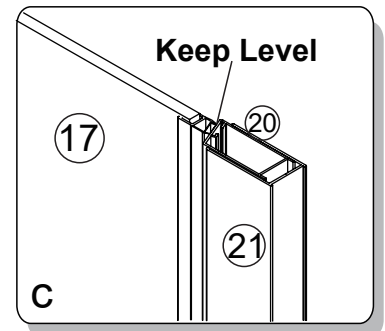
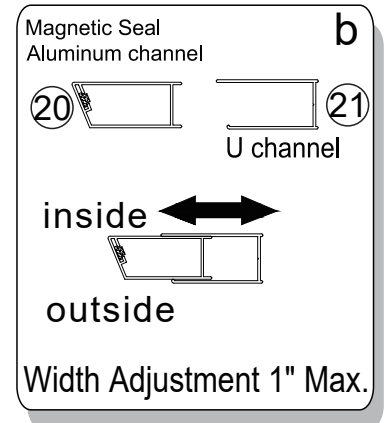
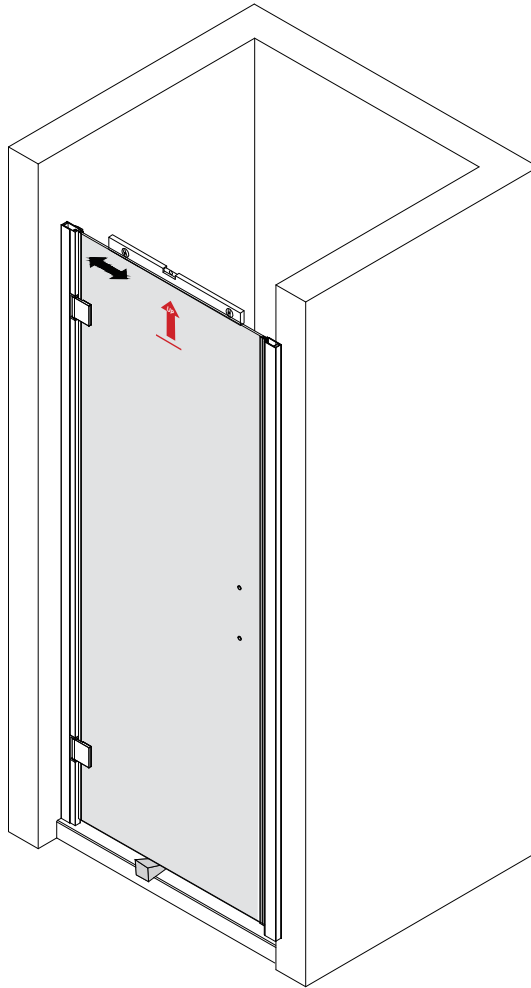
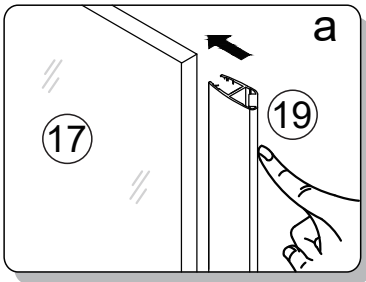
# 3

NO.	Picture	Qty
14		1
17		1



# 4

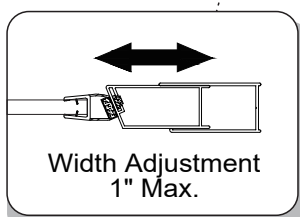
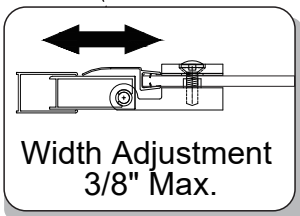
NO.	Picture	Qty
19		1
20		1
21		1



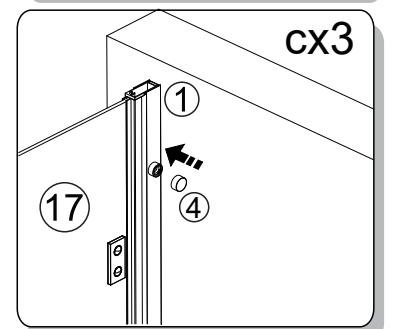
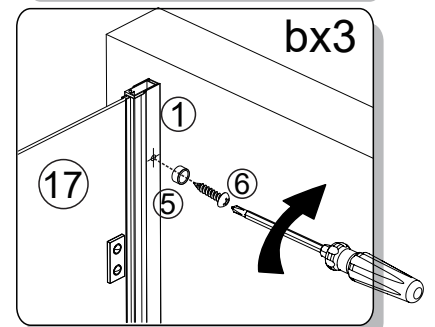
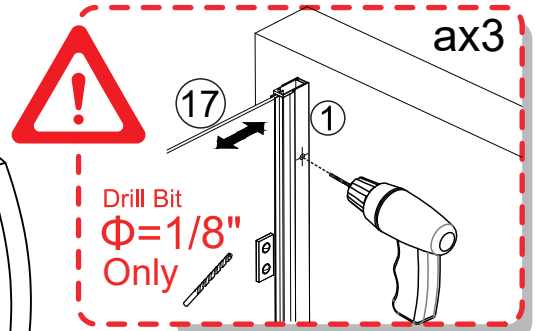
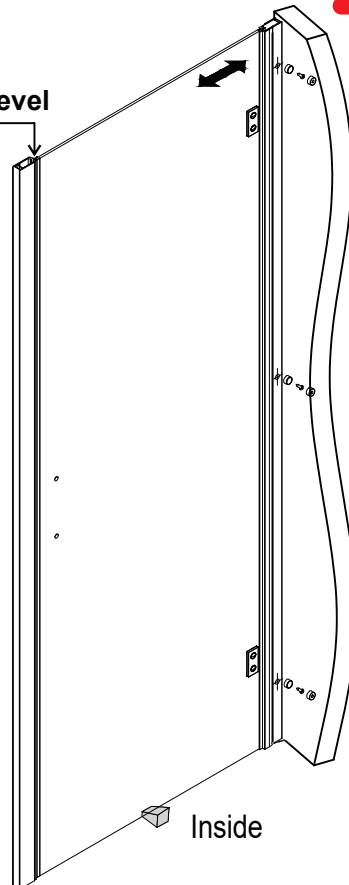
# 5

NO.	Picture	Qty
4		3
5		3
6		3

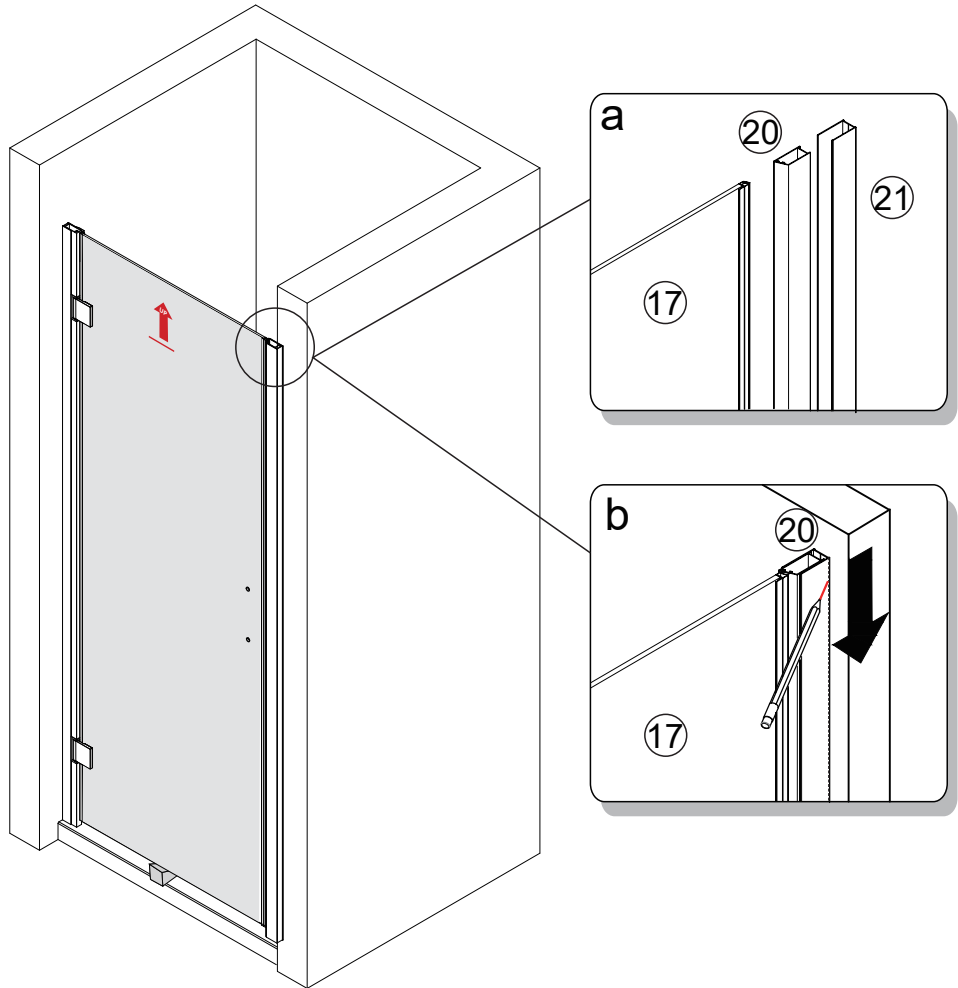
$\Phi 3/16'' \text{ D} \times 1/2'' \text{ L}$



Keep Level

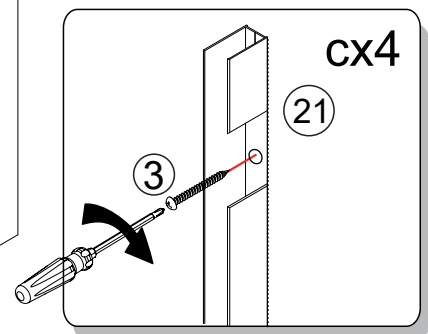
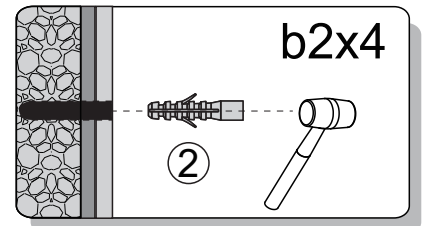
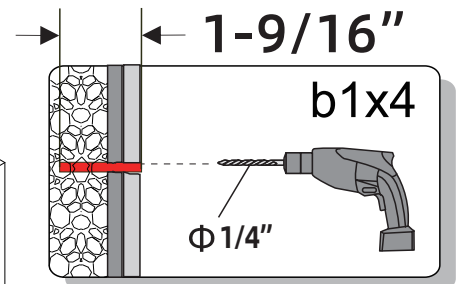
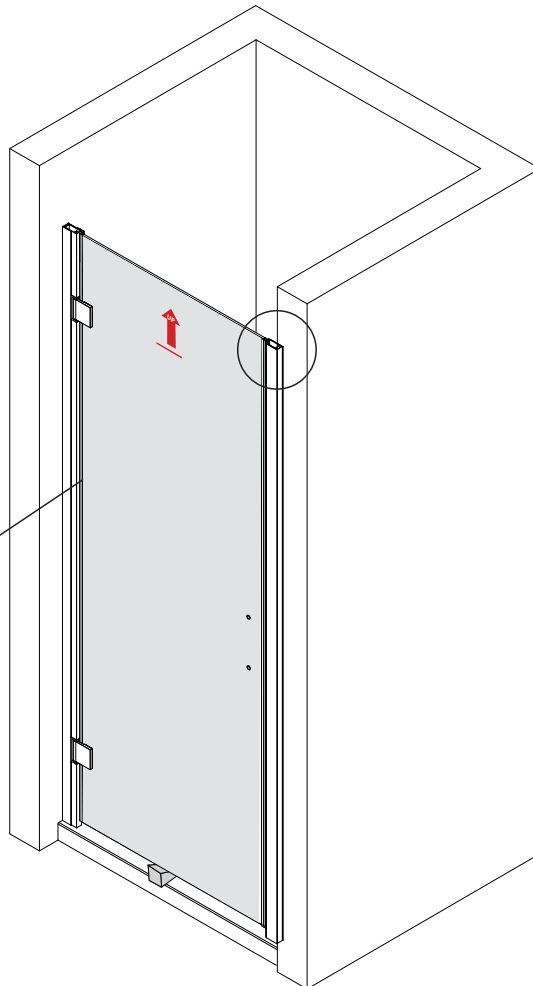
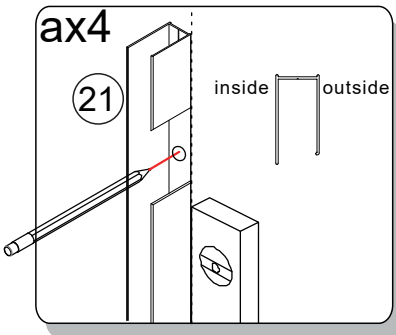


# 6



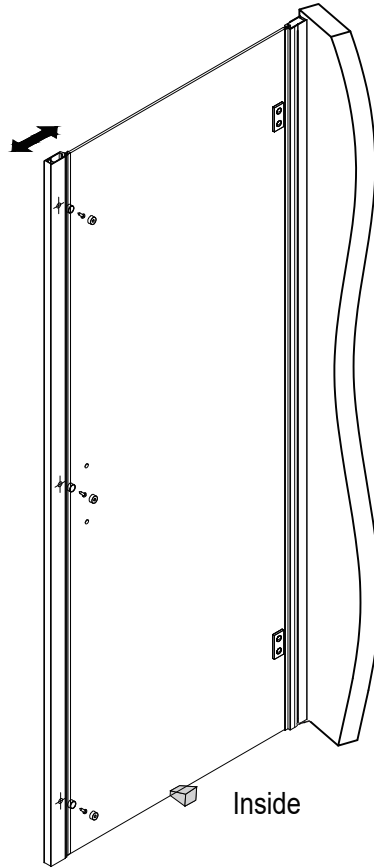
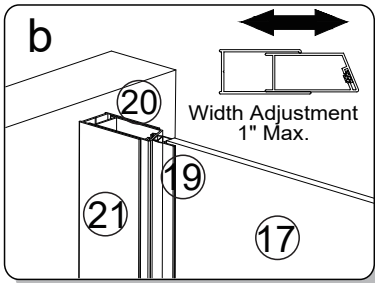
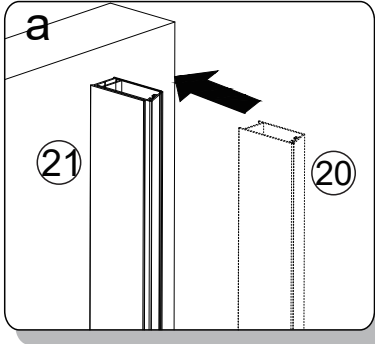
# 7

NO.	Picture	Qty
2		4
3	 Φ3/16" D x 1-9/16" L	4

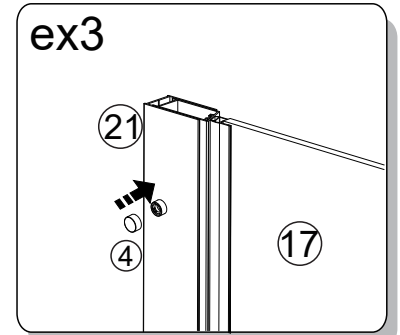
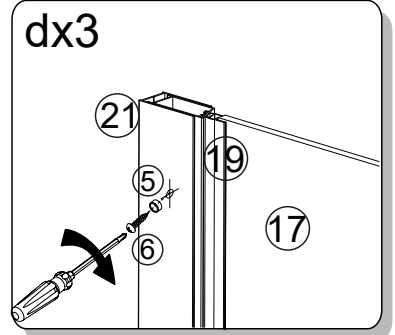
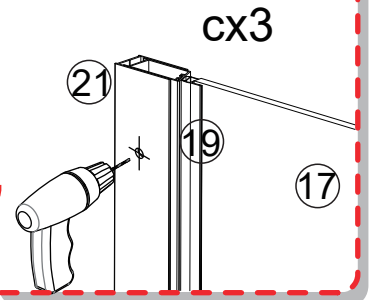


# 8

NO.	Picture	Qty
4		3
5		3
6	$\Phi 3/16" \text{ D} \times 1/2" \text{ L}$	3

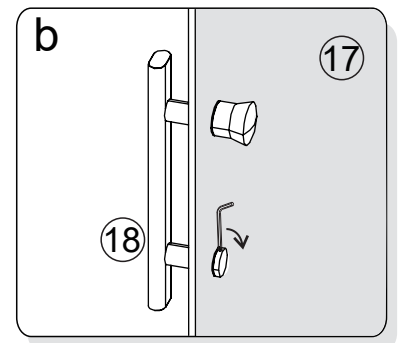
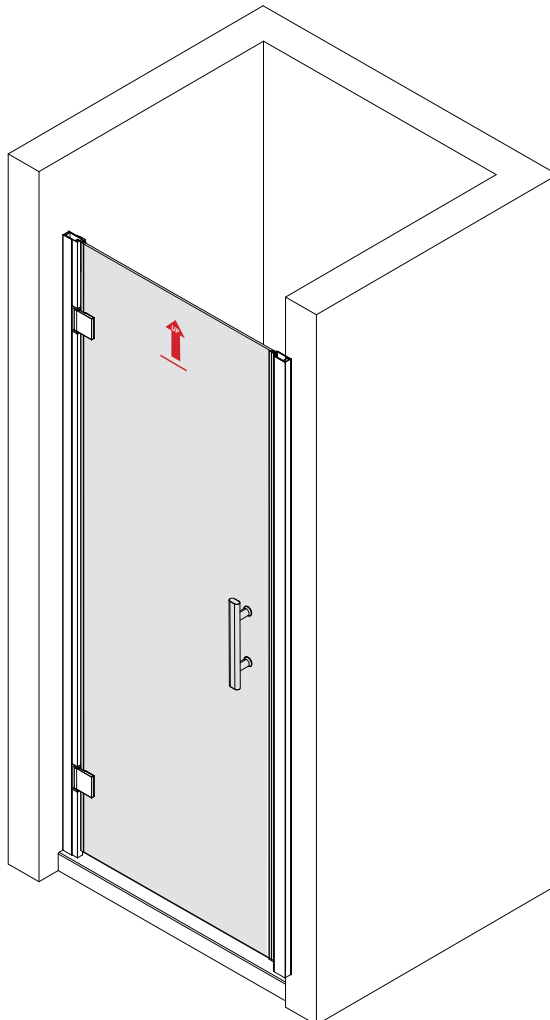
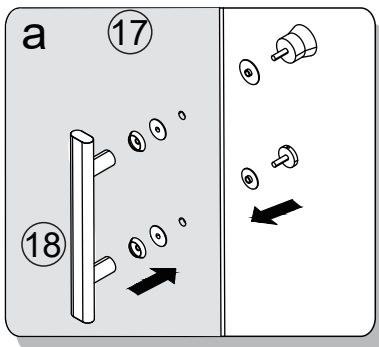


Drill Bit  
 $\Phi = 1/8"$   
Only


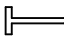



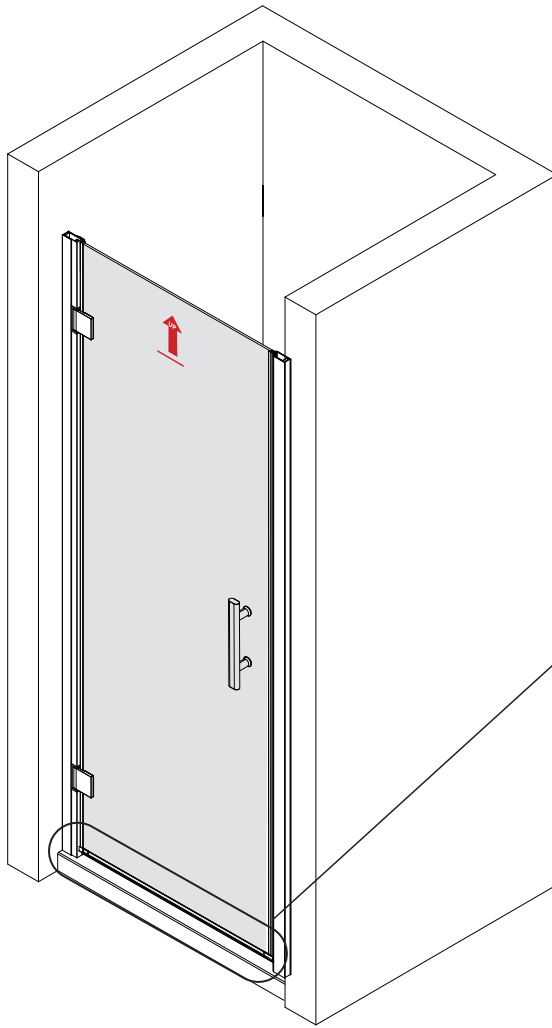
# 9

NO.	Picture	Qty
18		1

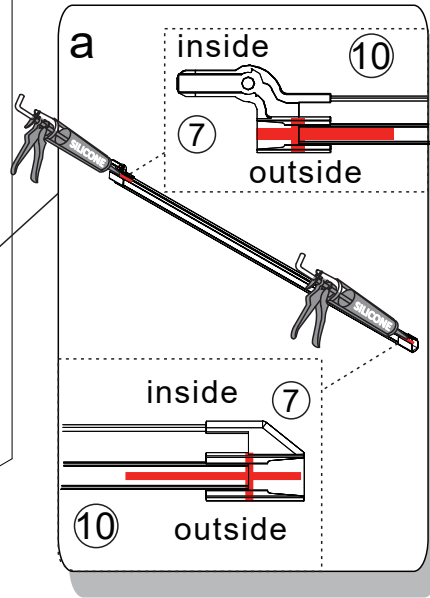


# 10

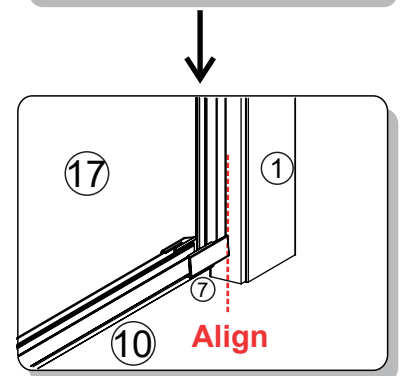
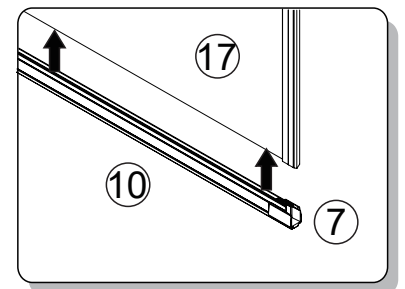
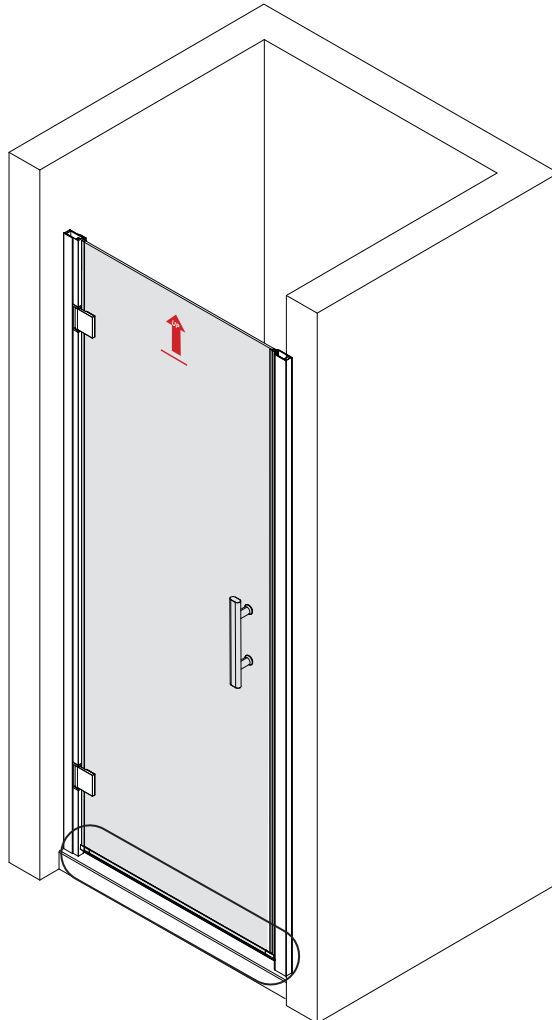
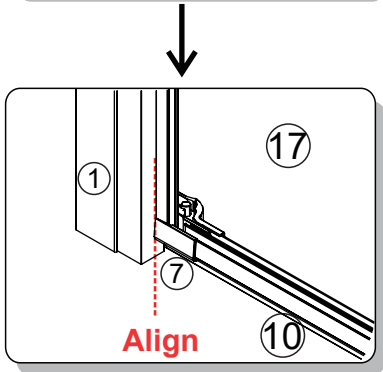
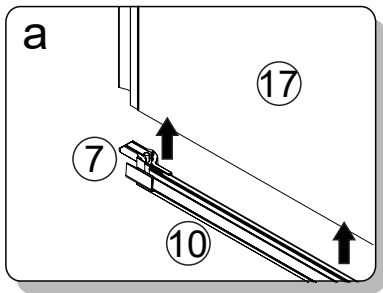
NO.	Picture	Qty
7		1
9		1
10		1






apply silicone sealant carefully to Prevent Water leakage

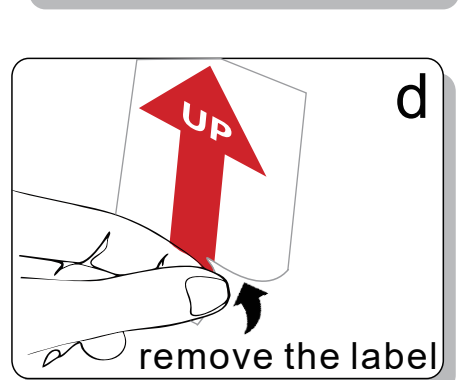
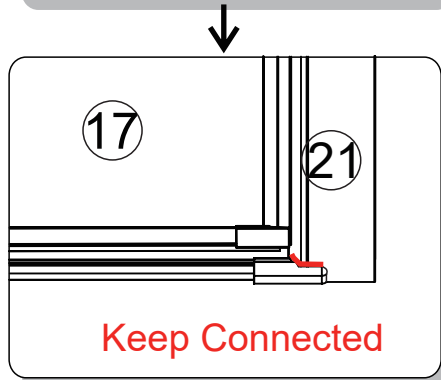
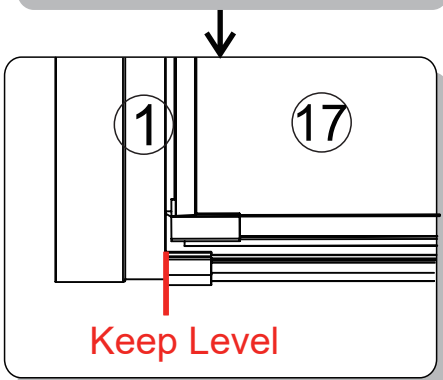
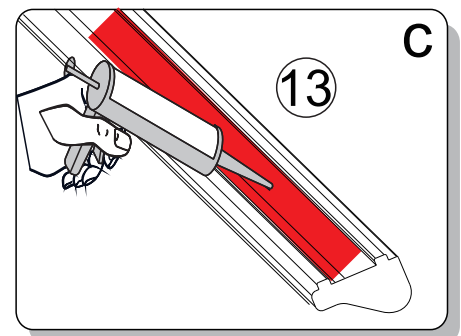
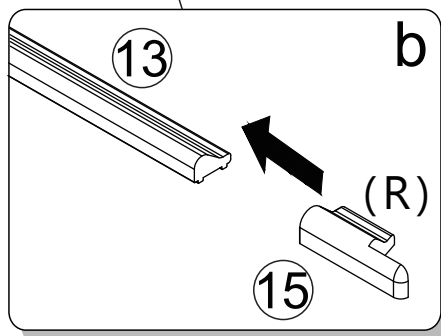
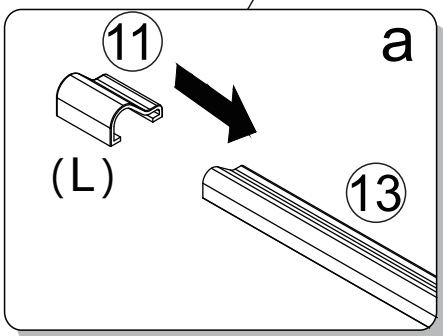
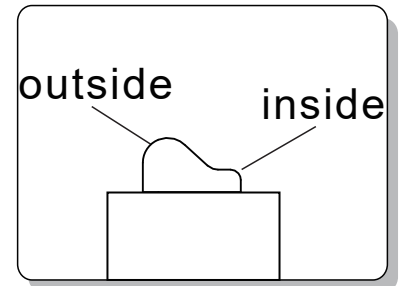
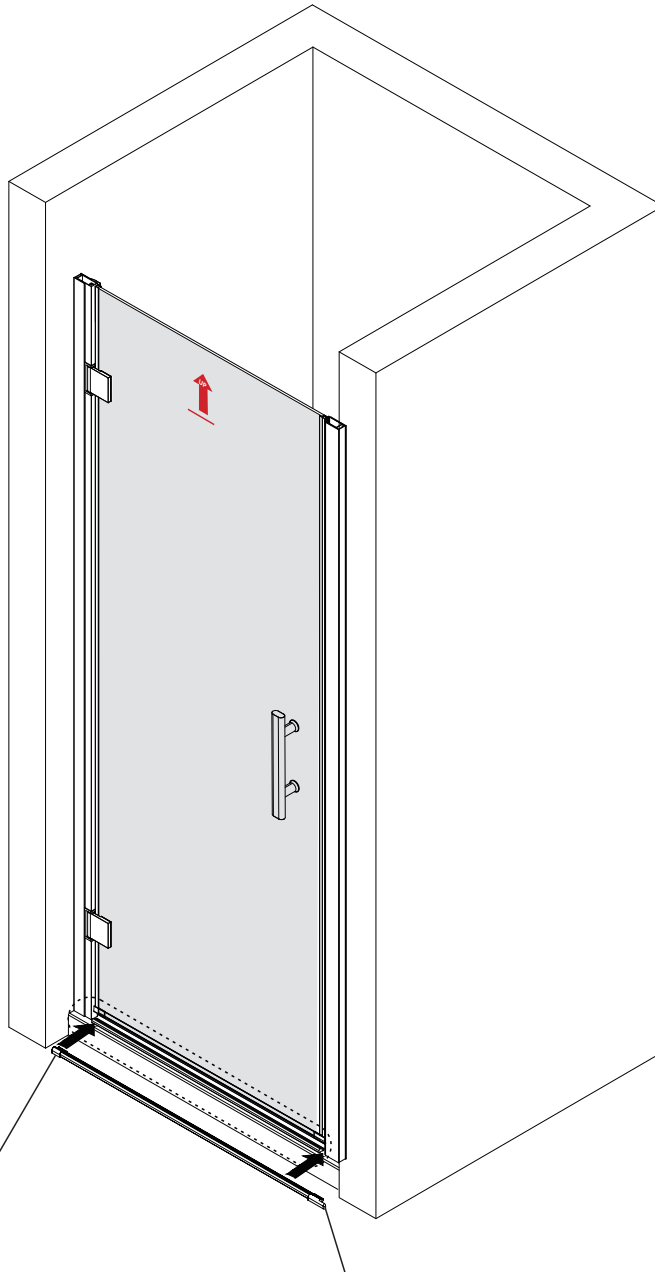


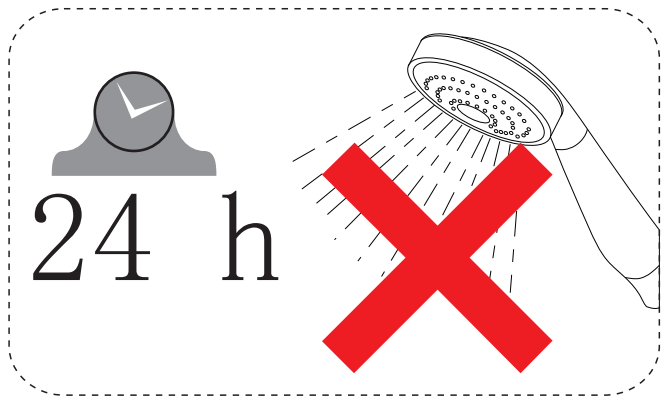
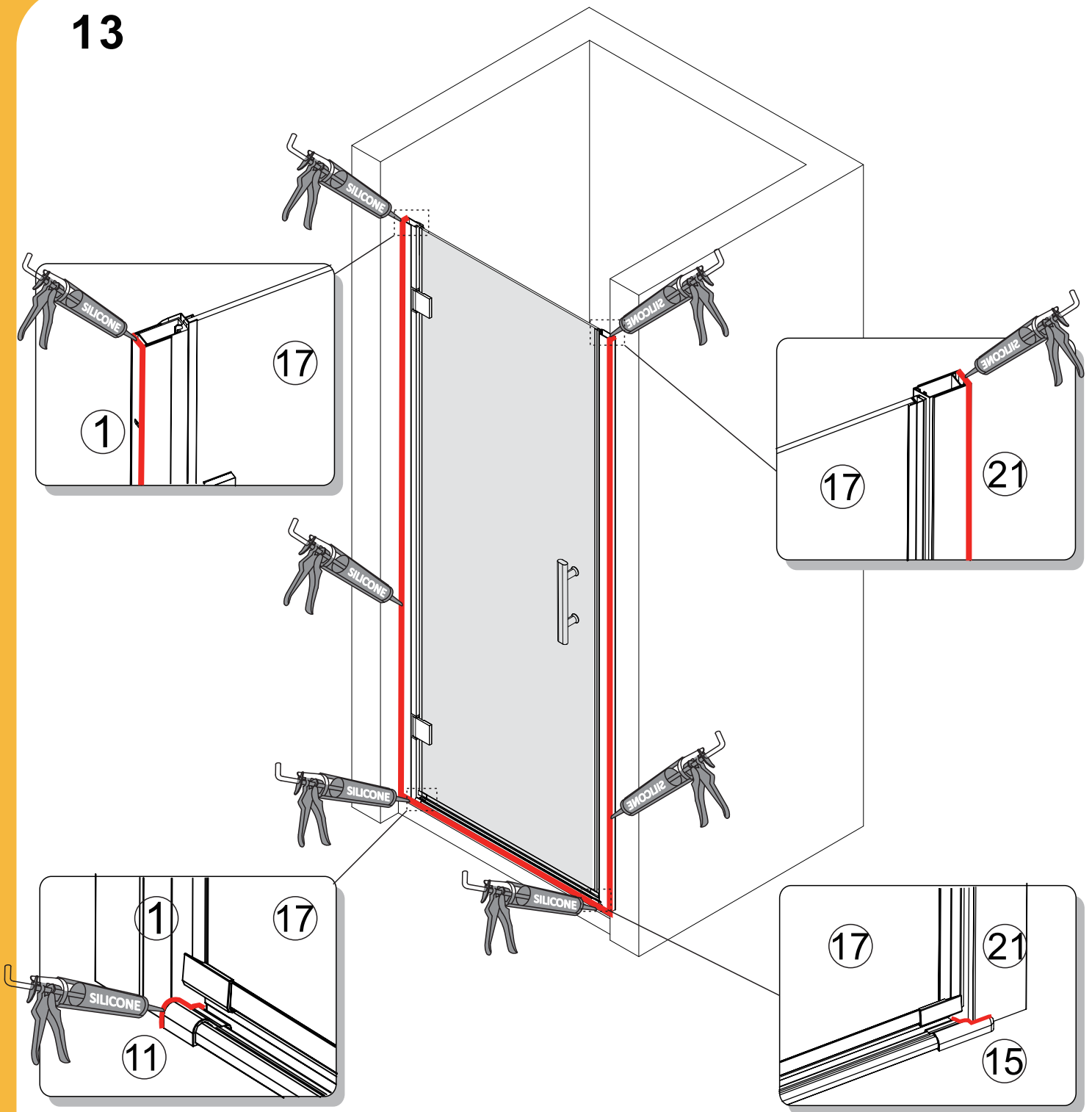
# 11



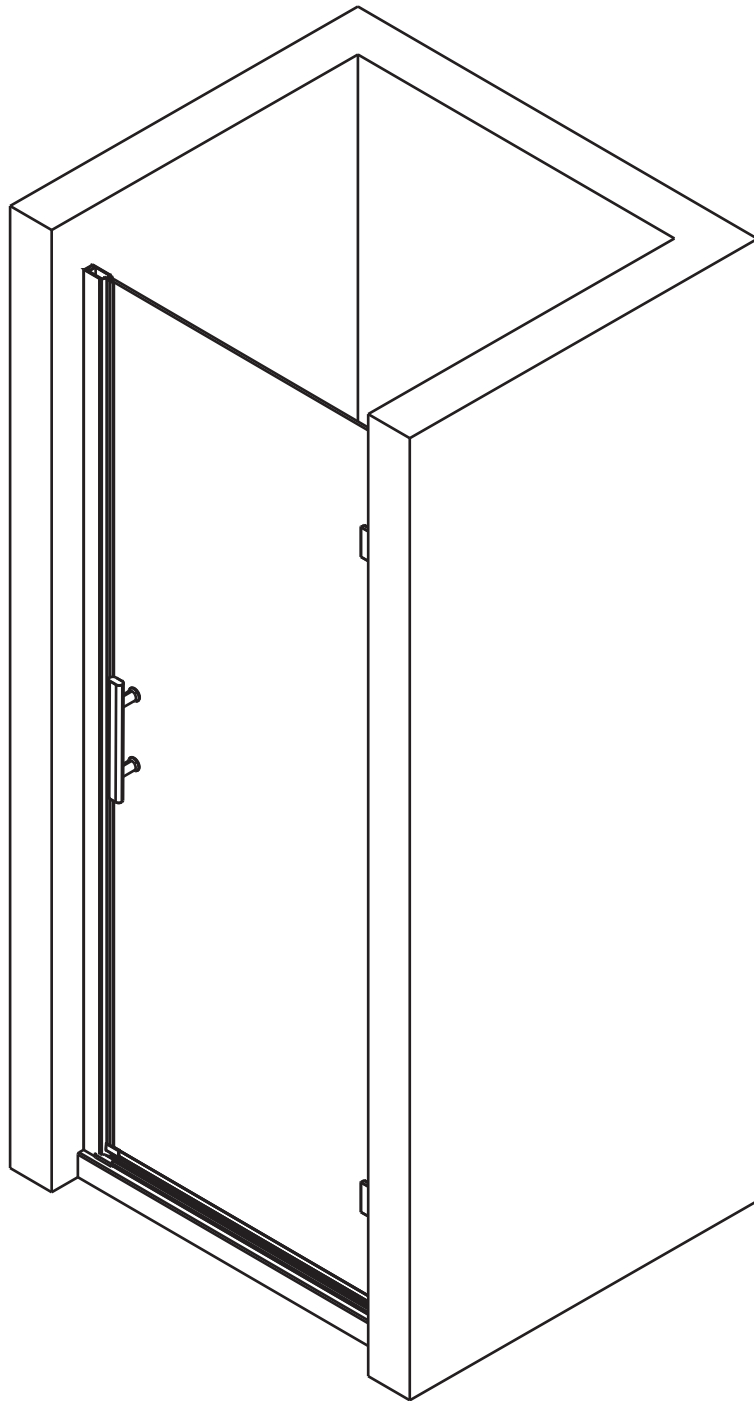
# 12

NO.	Picture	Qty
11	 L	1
13		1
15	 R	1

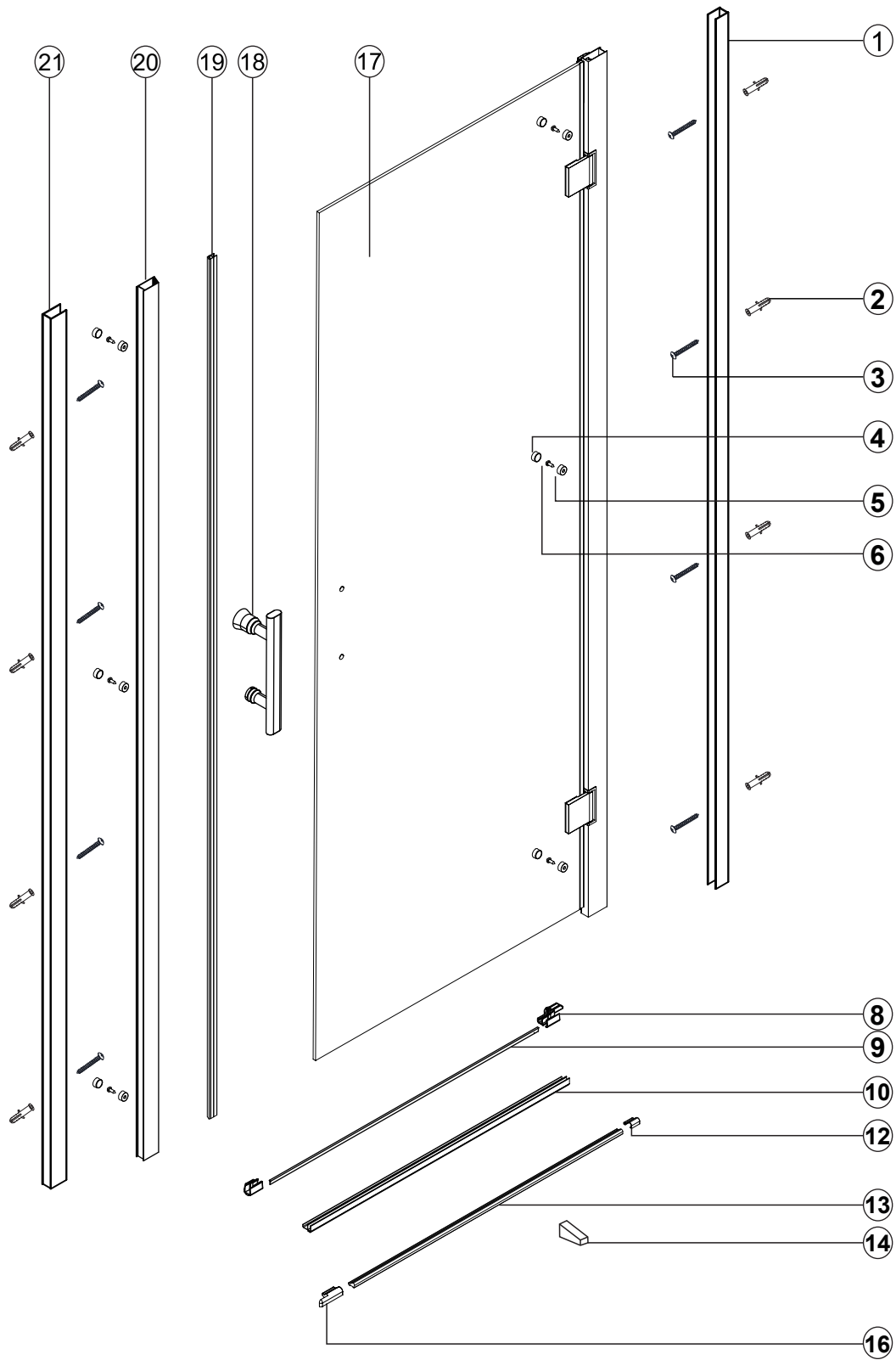




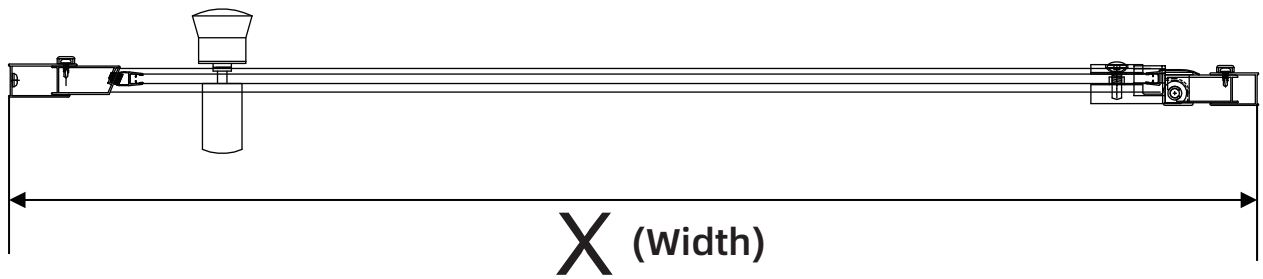
Do not use the shower door at least 24 hours in order to allow the silicone sealant to cure fully



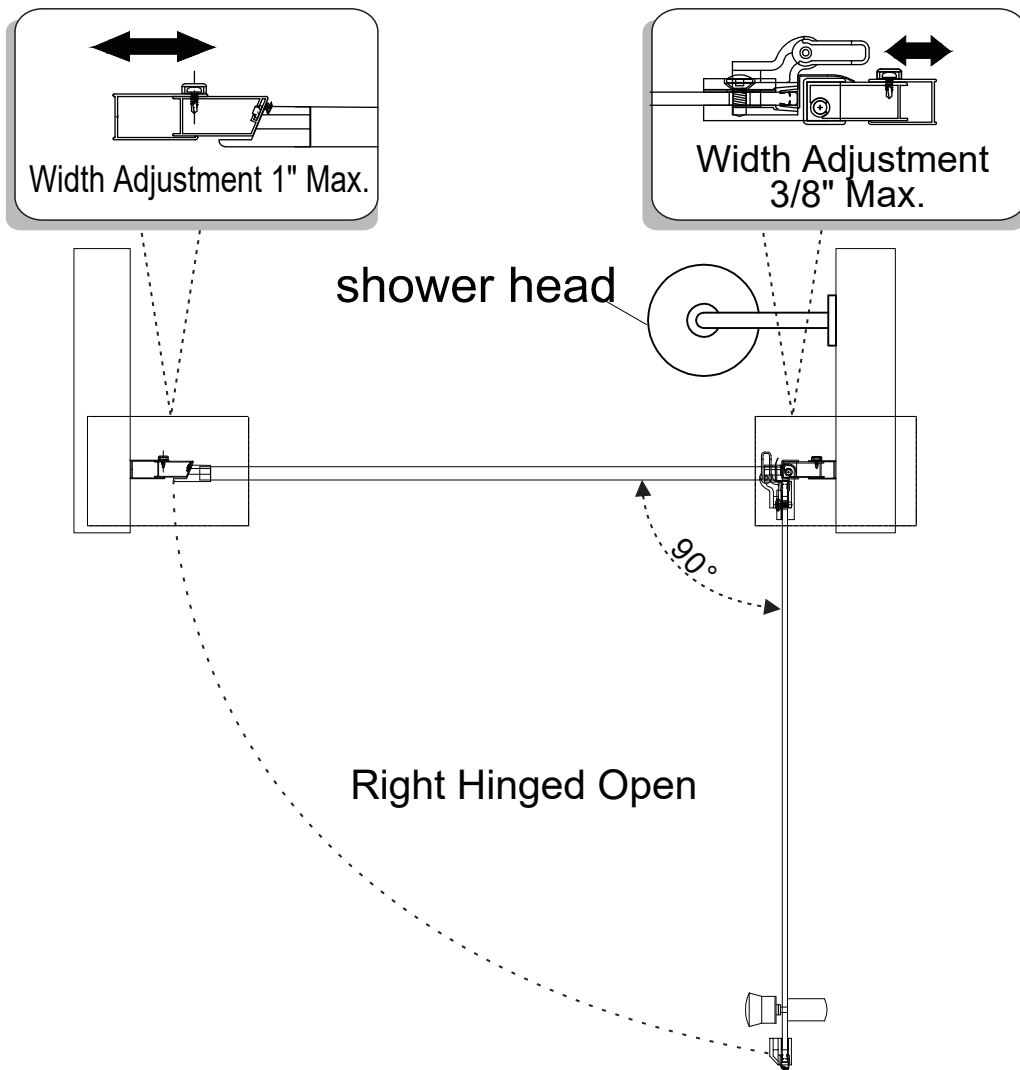
## Right Hinged Door

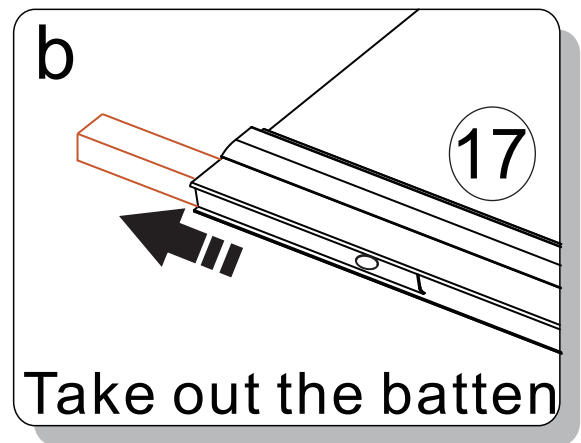
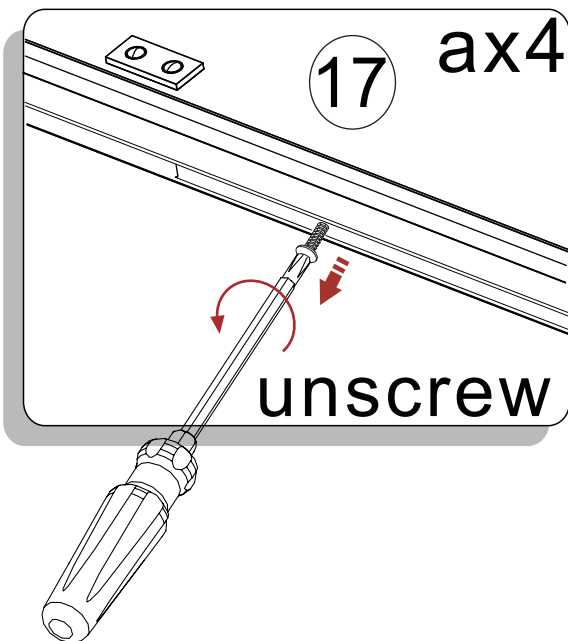
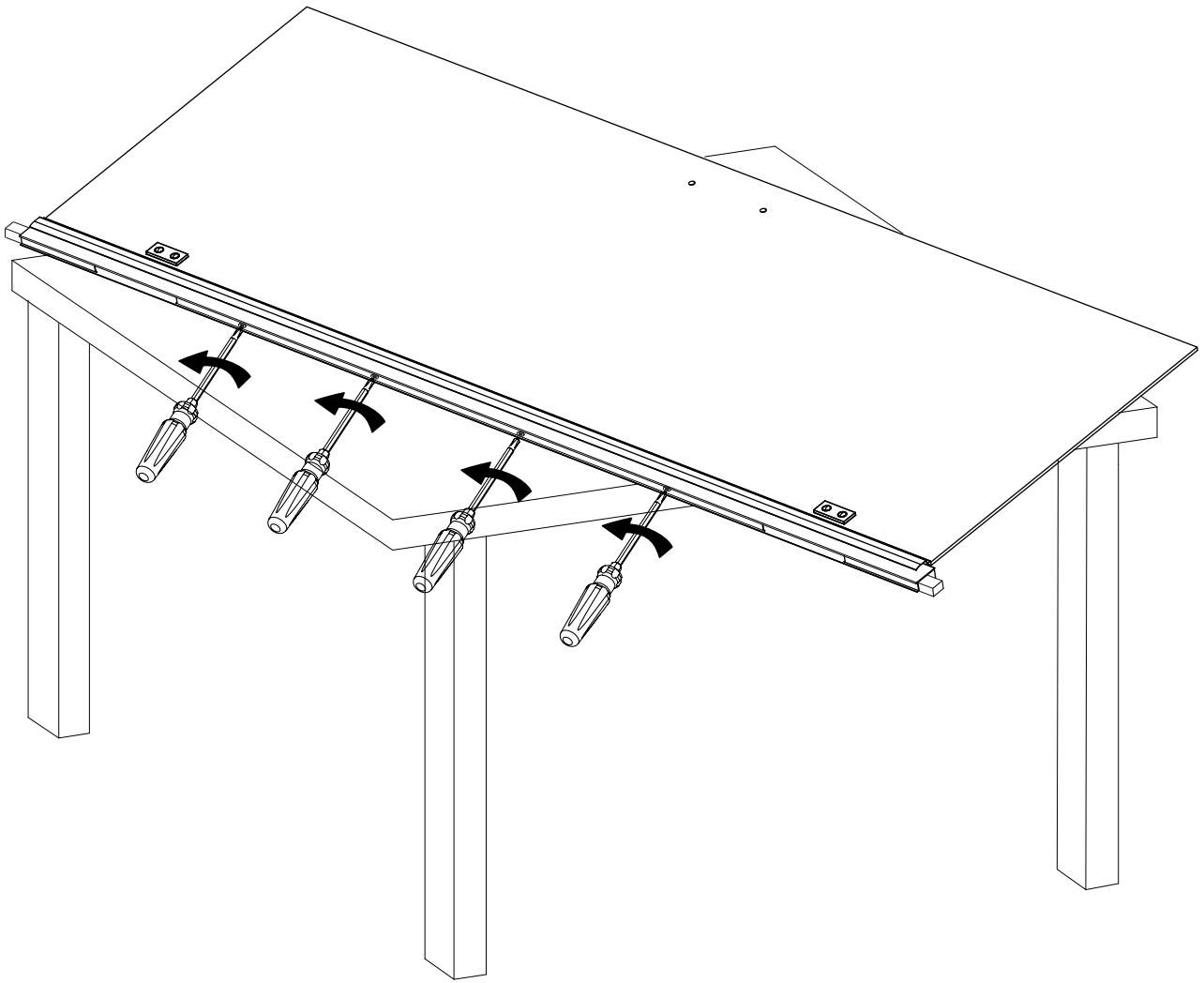


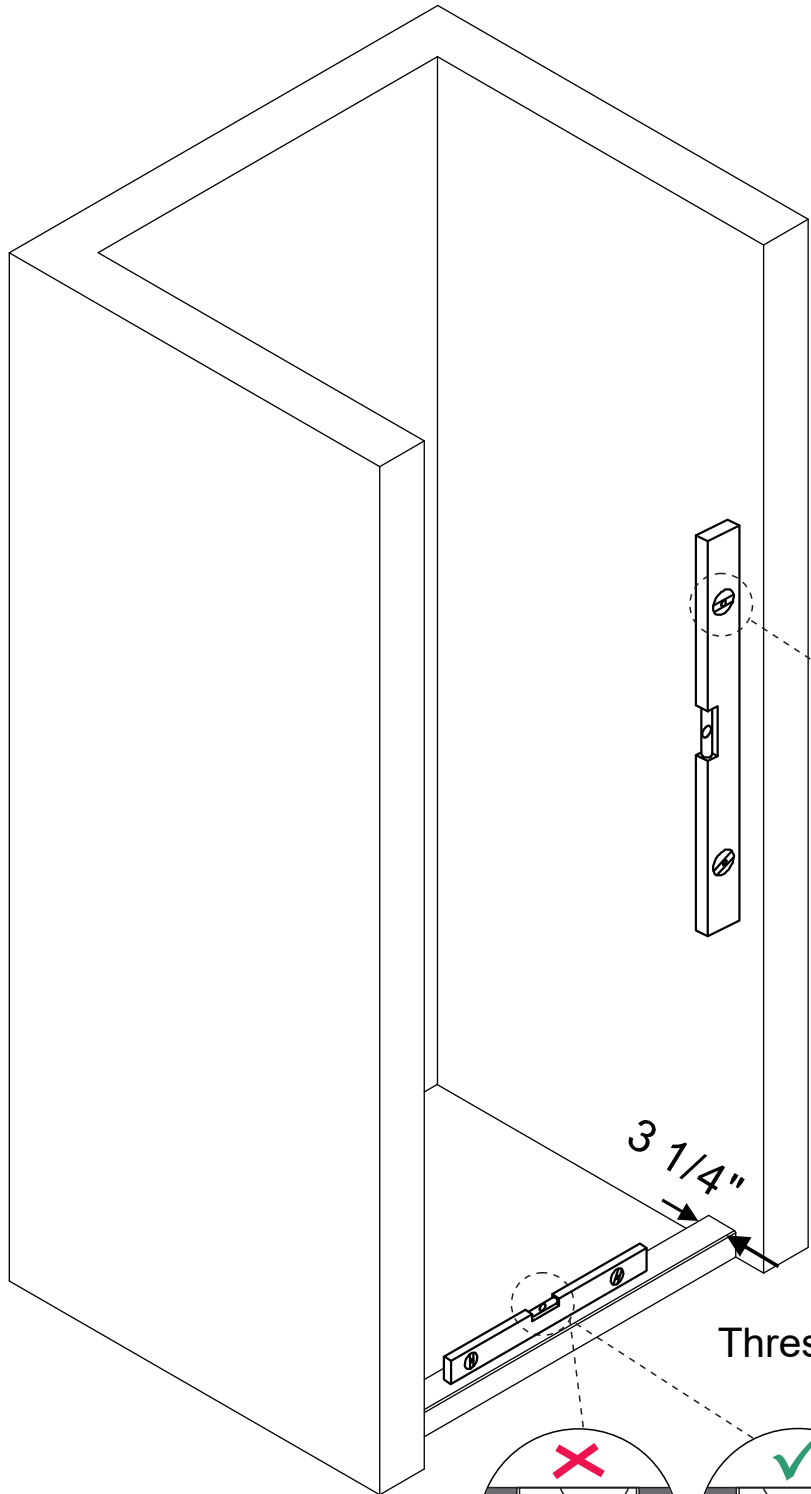
NO.	Picture	Qty	NO.	Picture	Qty	NO.	Picture	Qty	NO.	Picture	Qty	NO.	Picture	Qty
①		1	②		10	③	$\Phi 3/16''$ D x 1-9/16'' L	10	④		8	⑤		8
⑥	$\Phi 3/16''$ D x 1/2'' L	8	⑧		1	⑨		1	⑩		1	⑫		1
⑬		1	⑭		1	⑯		1	⑰		1	⑱		1
⑲		1	⑳		1	㉑		1						



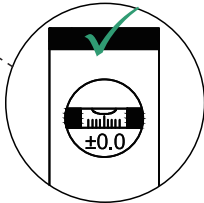
		X (width)	
	Height	Min.	Max.
30"W x 72"H	72"	30"	31 1/4"
32"W x 72"H	72"	32"	33 1/4"
34"W x 72"H	72"	34"	35 1/4"
36"W x 72"H	72"	36"	37 1/4"





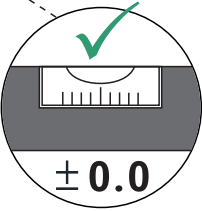
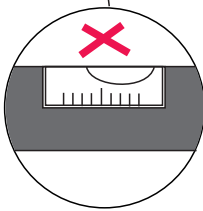


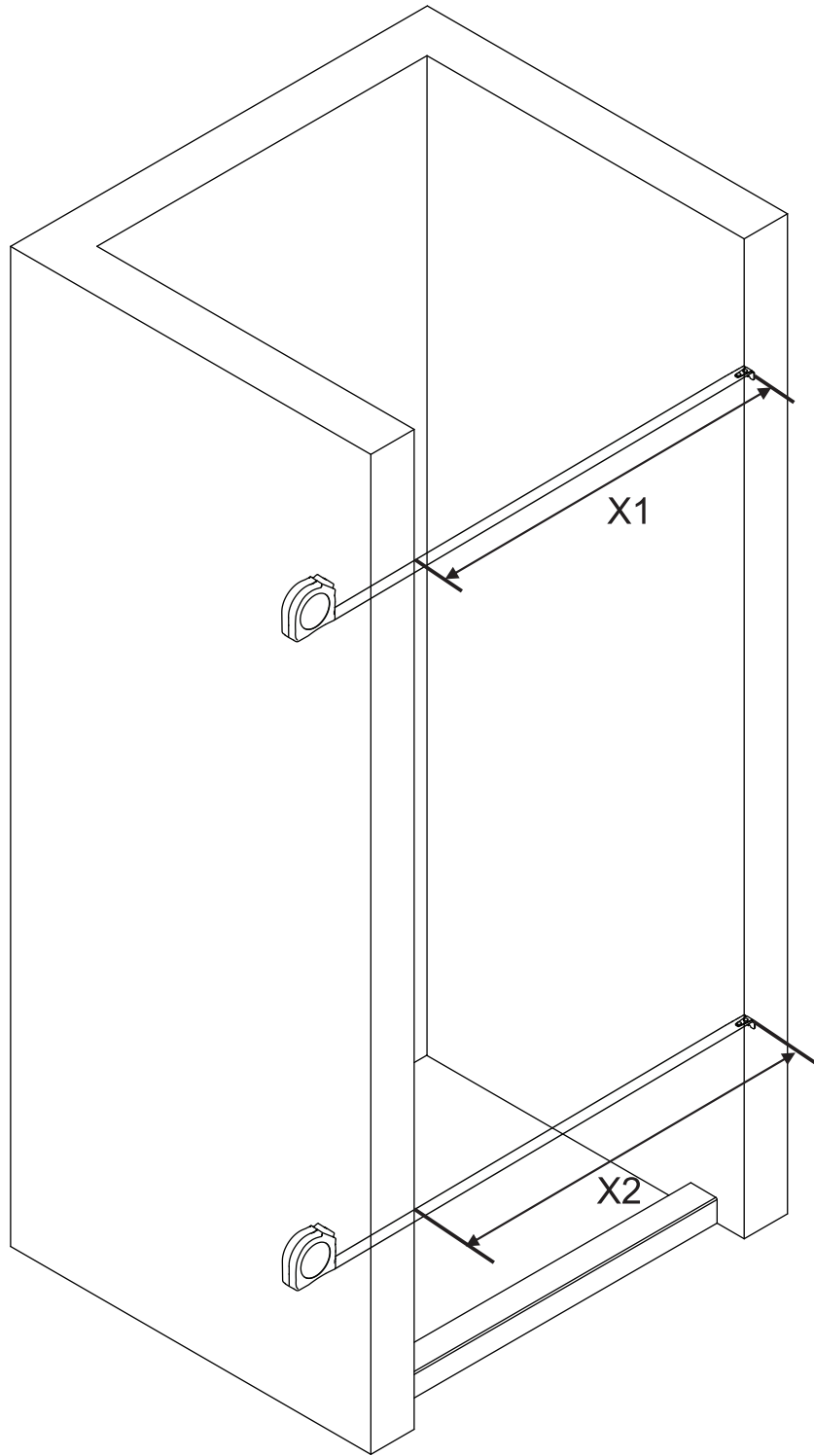
Installation wall must be plumb



3 1/4"

Threshold







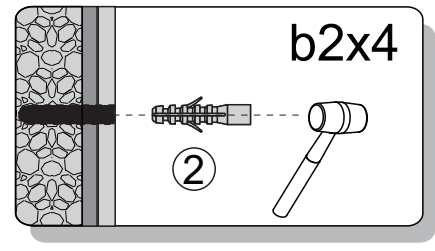
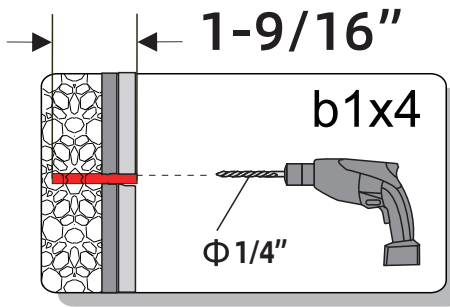
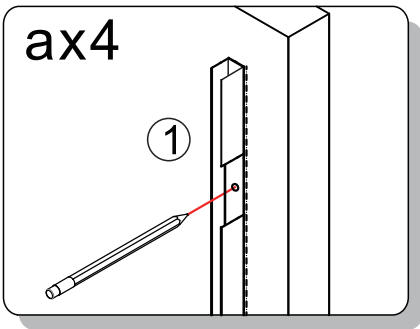
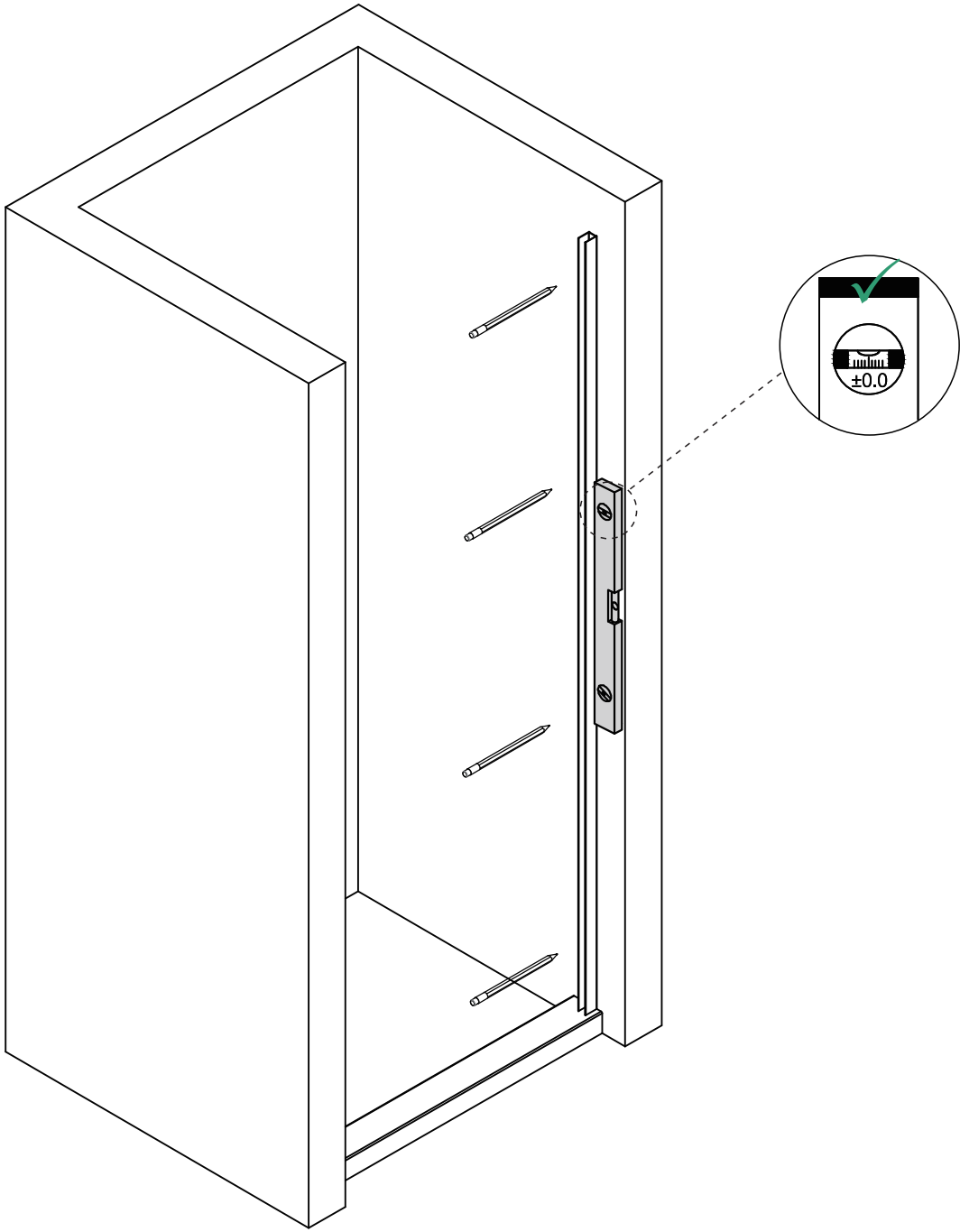
**$X1=X2$**

If the width of the upper and lower walls is inconsistent, please trim the wall




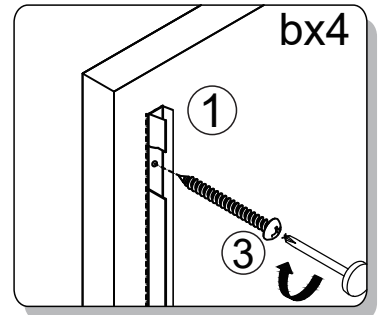
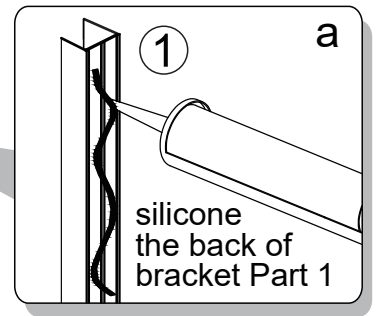
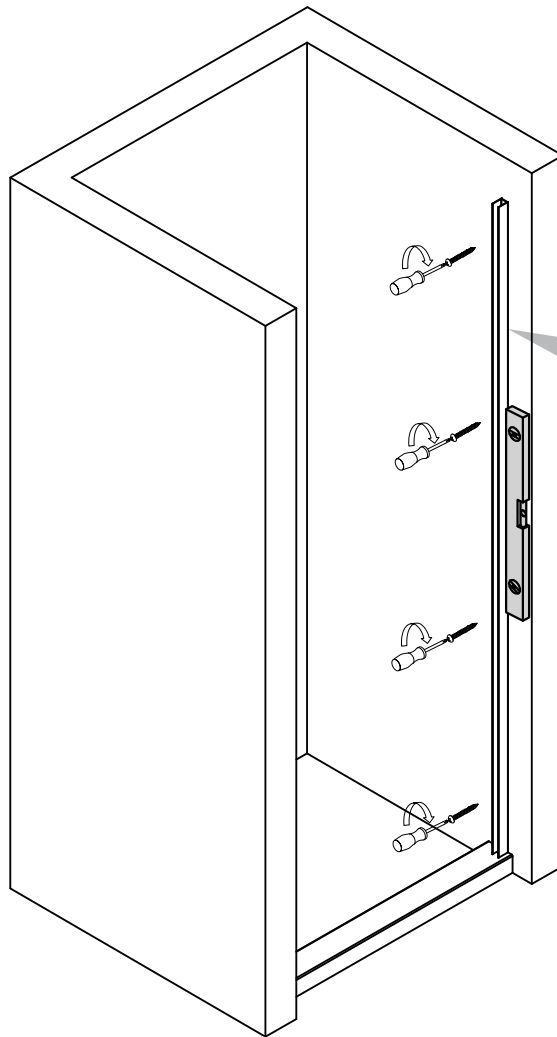
# 1

NO.	Picture	Qty
①		1
②		4


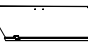


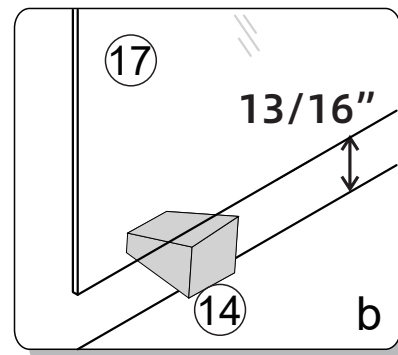
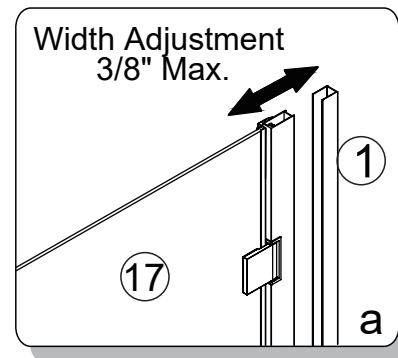
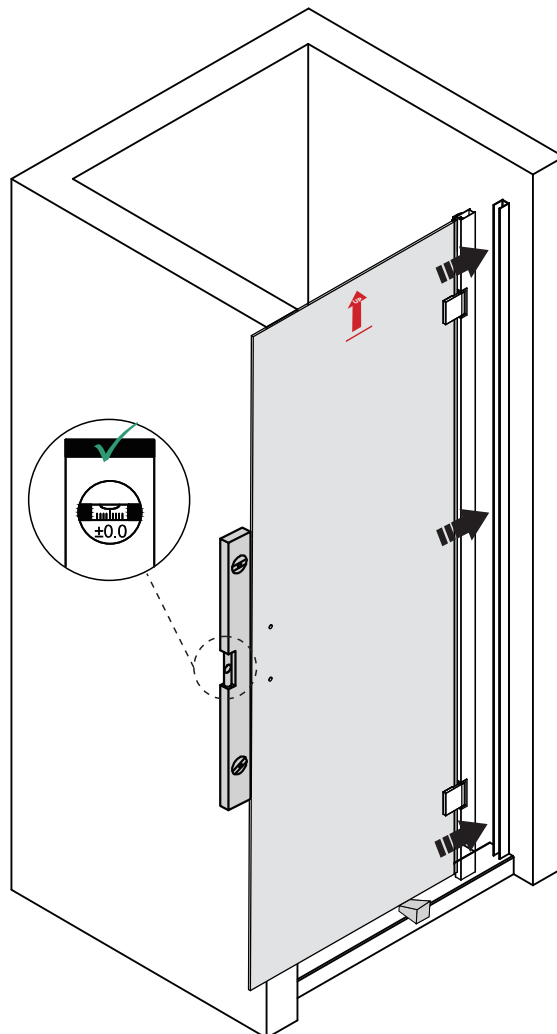
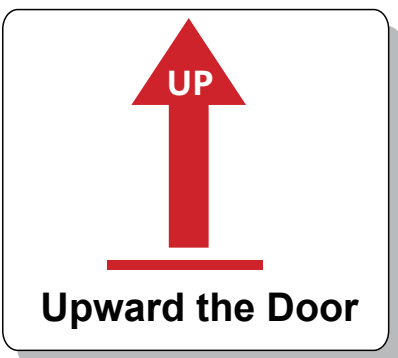
# 2

NO.	Picture	Qty
3	 $\Phi 3/16''$ D x 1-9/16'' L	4



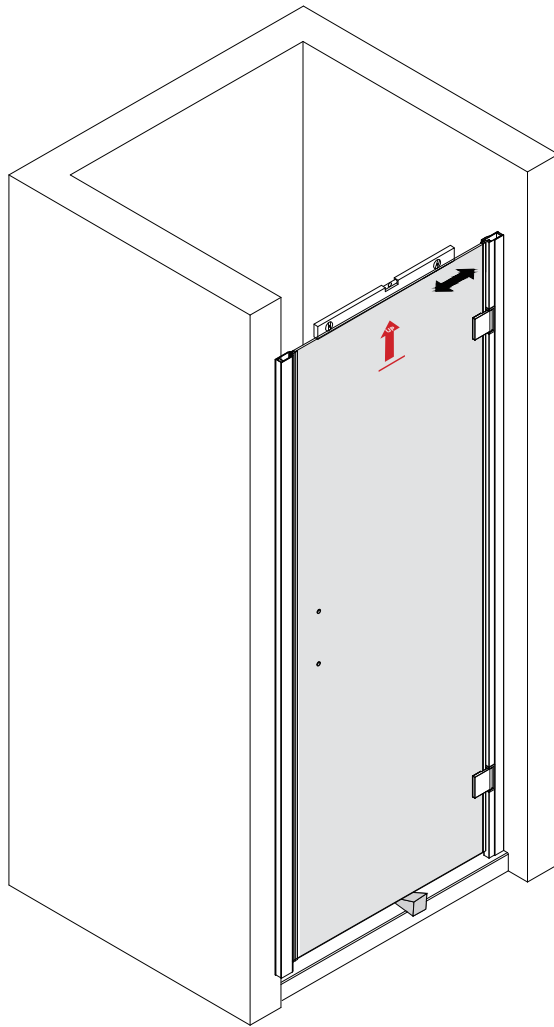
# 3

NO.	Picture	Qty
14		1
17		1



# 4

NO.	Picture	Qty
19		1
20		1
21		1



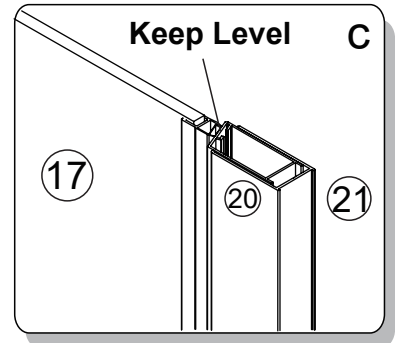
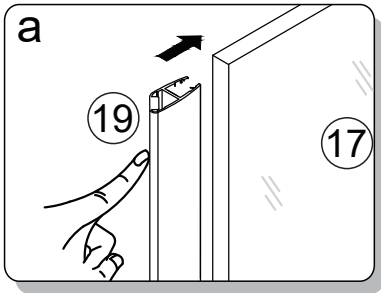
Magnetic Seal  
Aluminum channel

21 20

U channel

← inside  
→ outside

1" max wall adjustment



# 5

NO.	Picture	Qty
4		3
5		3
6	$\Phi 3/16"$ D x 1/2" L	3

ax3

! Drill Bit  $\Phi = 1/8"$  Only

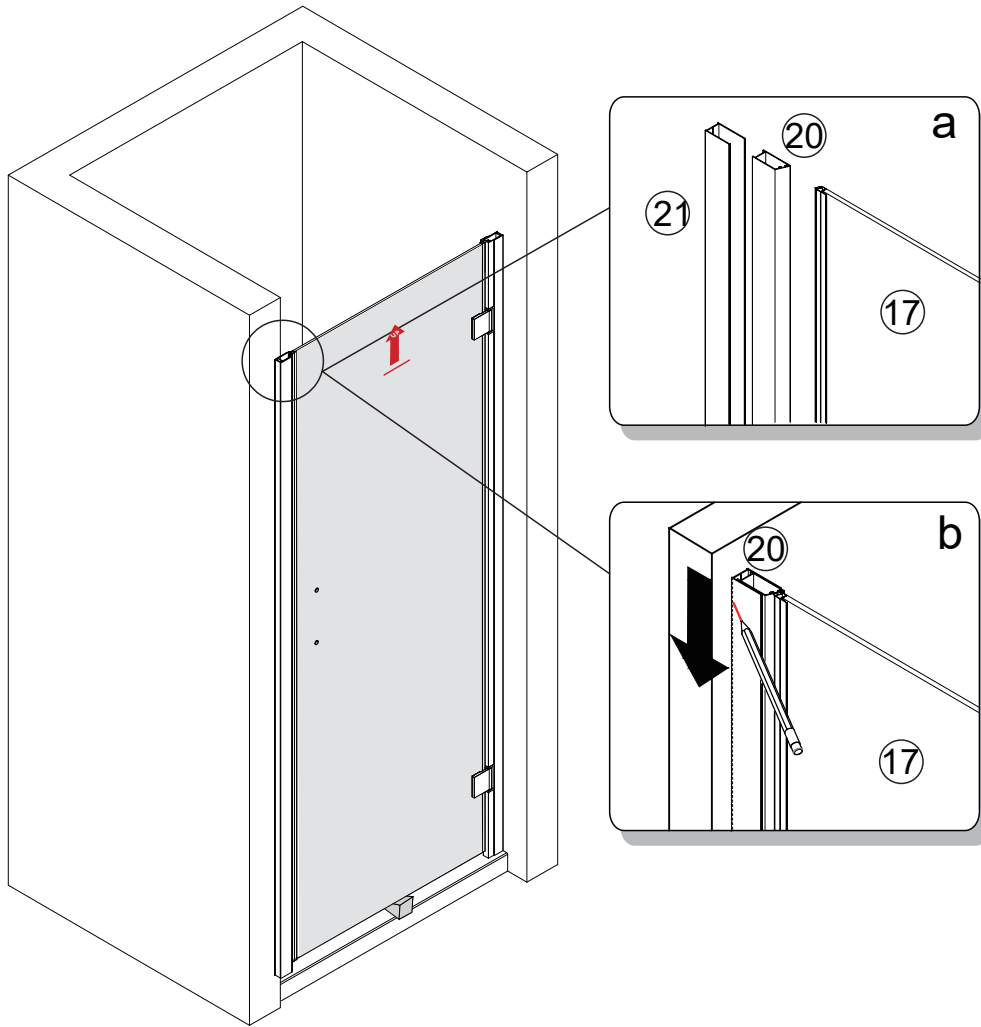
bx3

cx3

Width Adjustment  
3/8" Max.

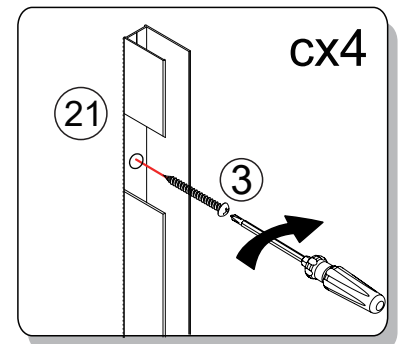
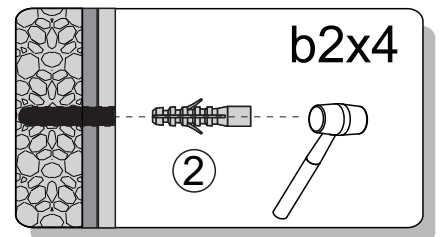
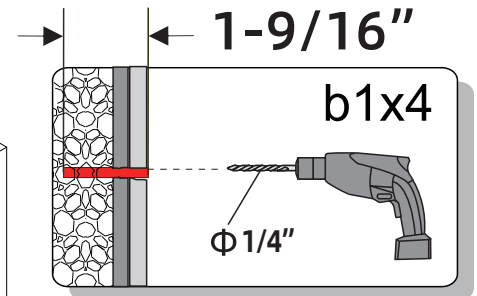
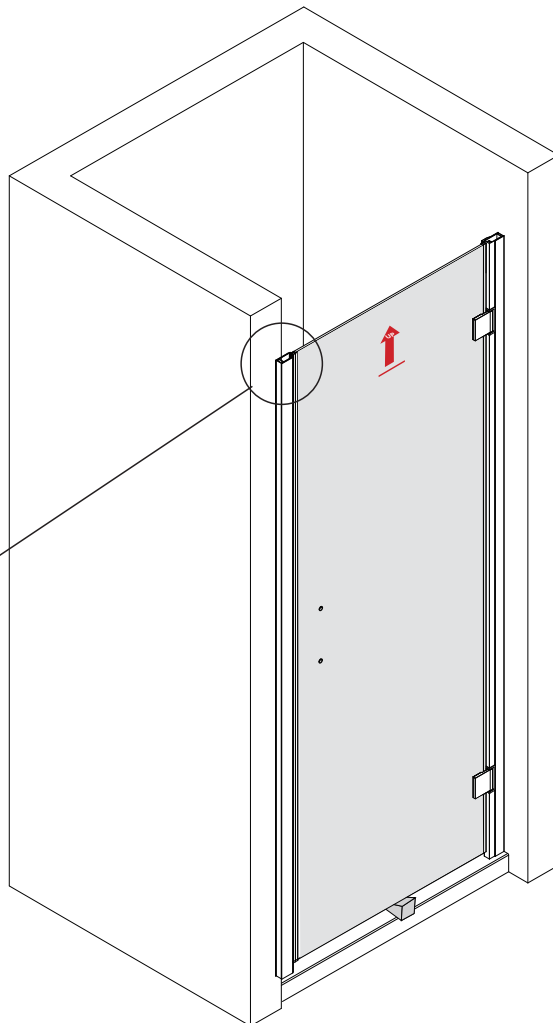
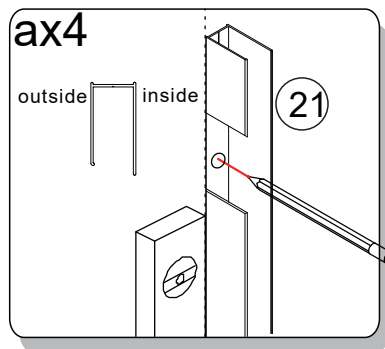
Width Adjustment  
1" Max.

# 6



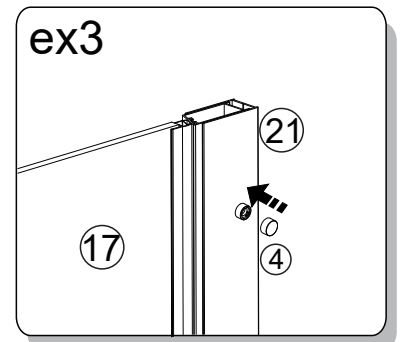
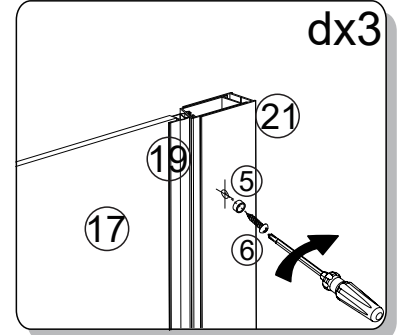
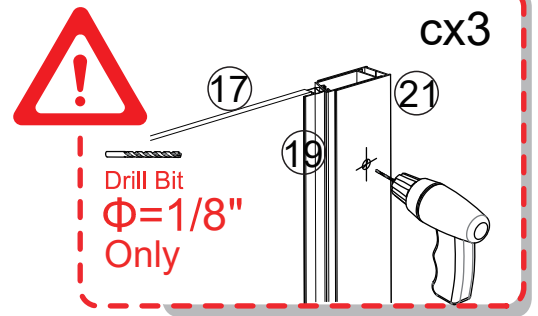
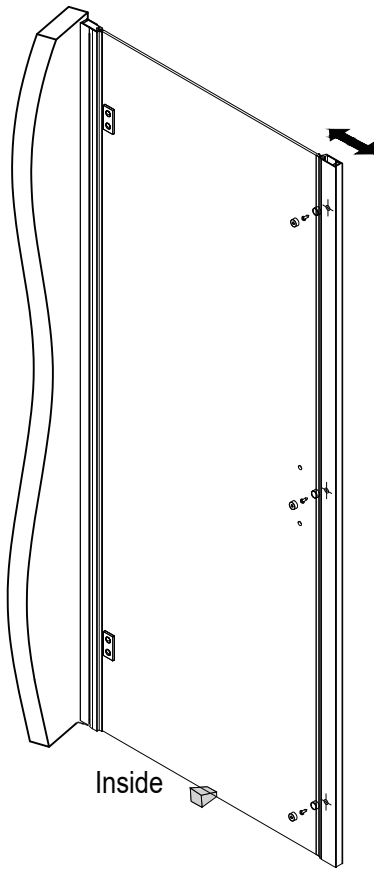
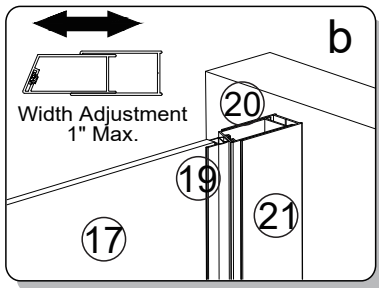
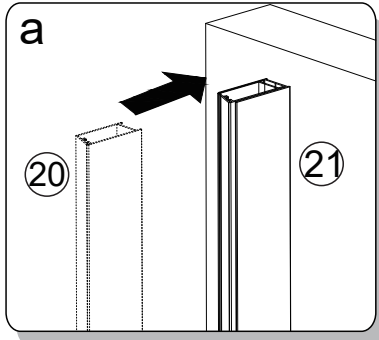
# 7

NO.	Picture	Qty
2		4
3	 Φ3/16" Dx1-9/16" L	4



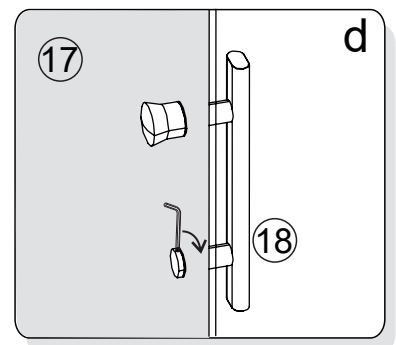
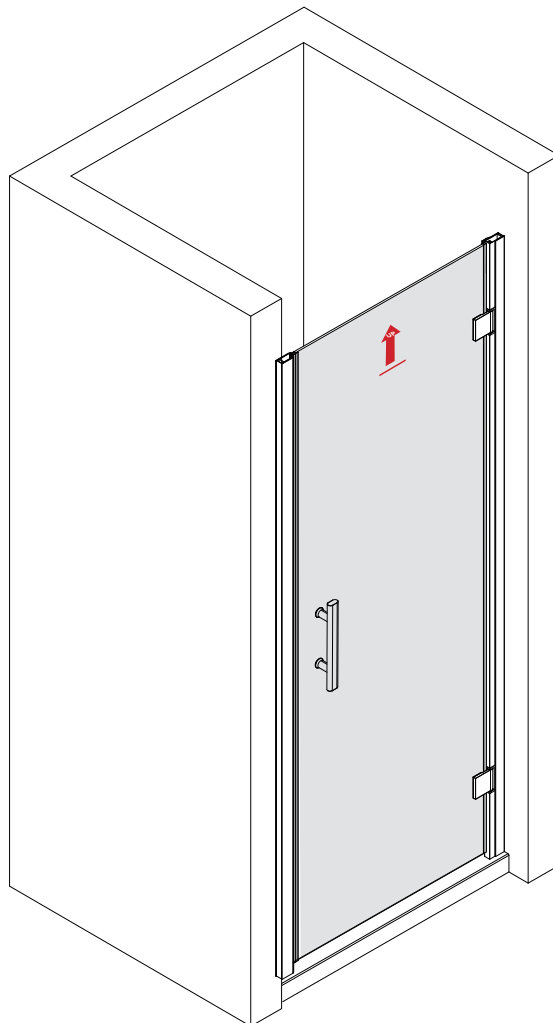
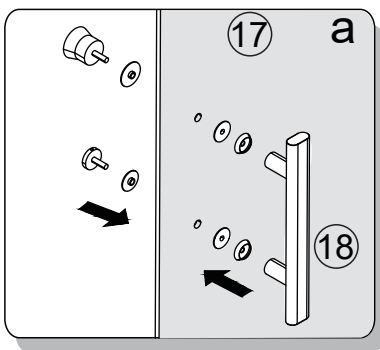
# 8

NO.	Picture	Qty
4		3
5		3
6	$\Phi 3/16'' \text{ D} \times 1/2'' \text{ L}$	3

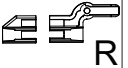
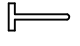



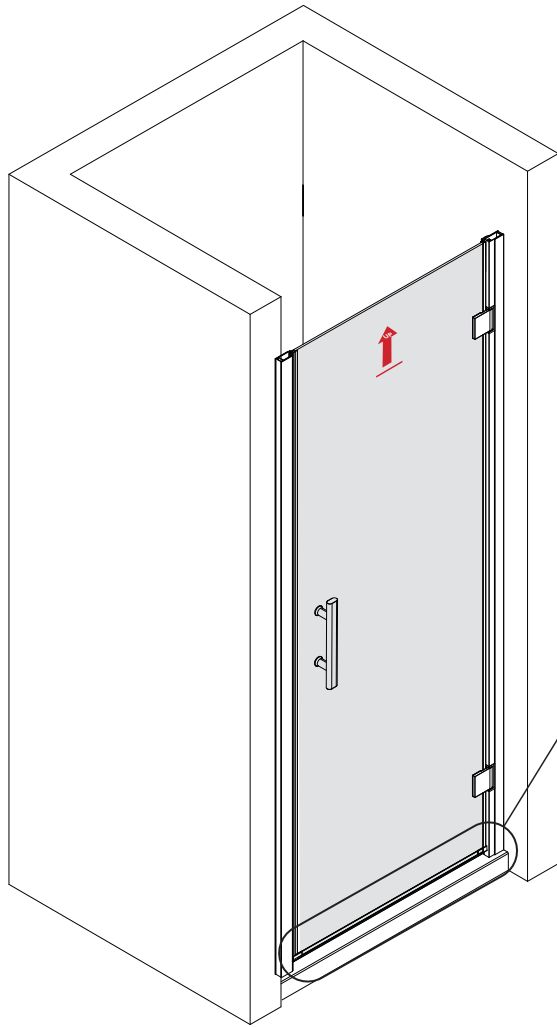
# 9

NO.	Picture	Qty
18		1

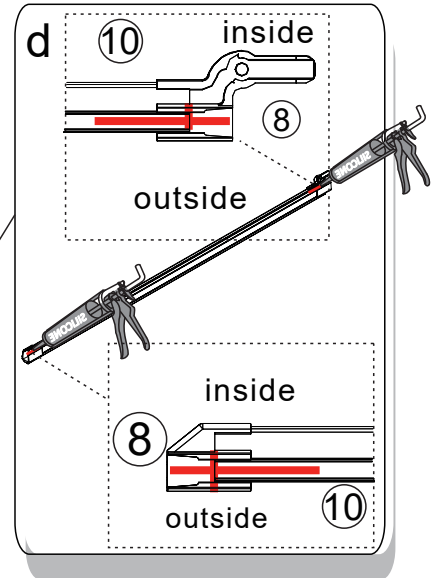


# 10

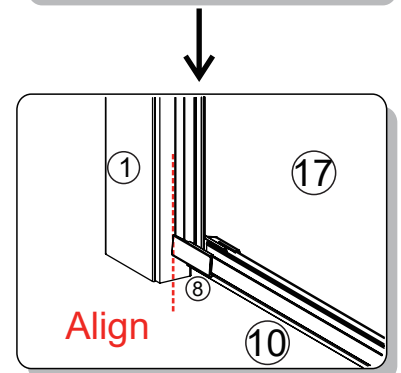
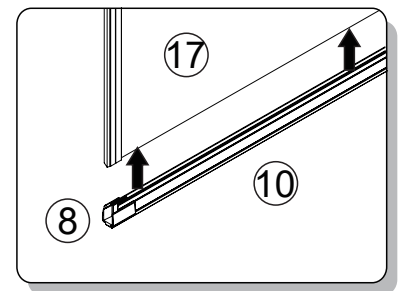
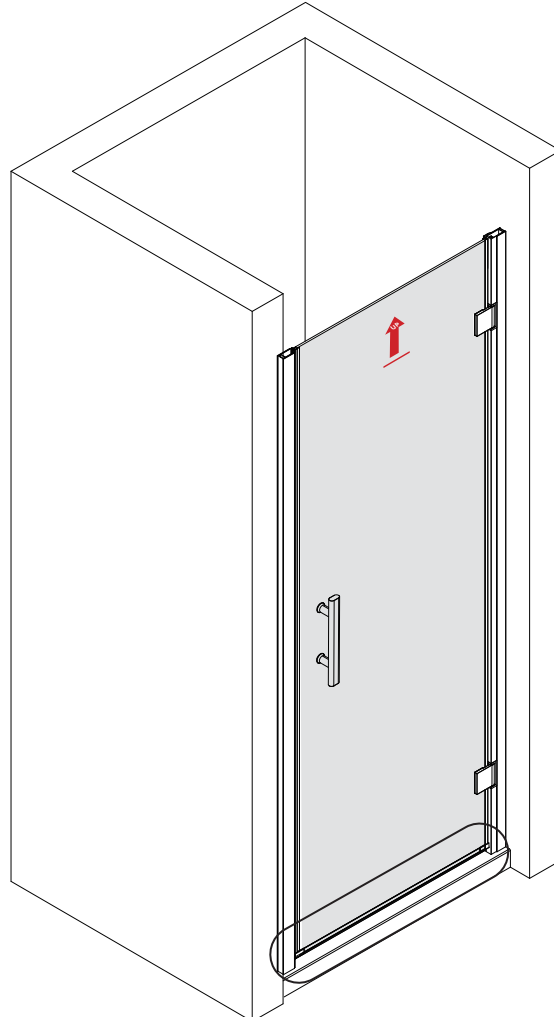
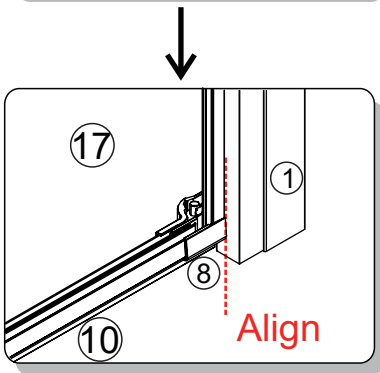
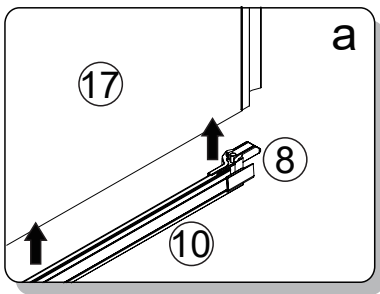
NO.	Picture	Qty
8		1
9		1
10		1






apply silicone sealant carefully to Prevent Water leakage

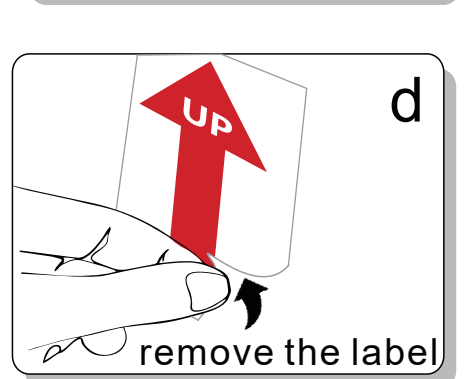
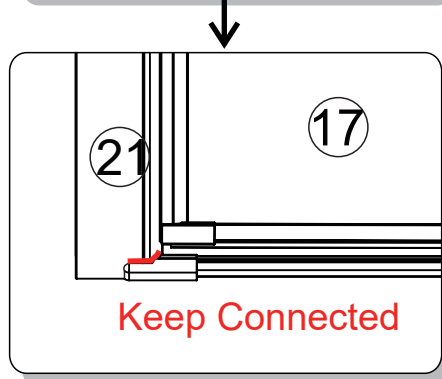
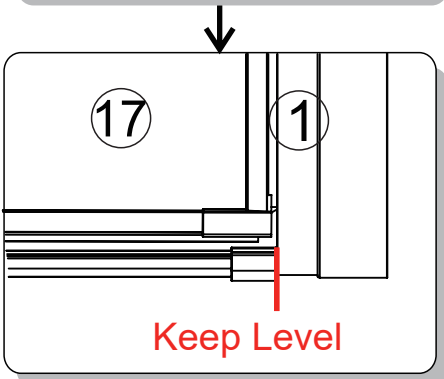
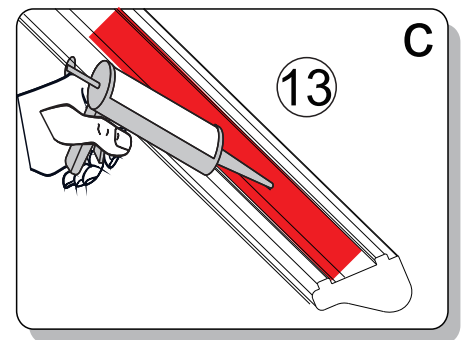
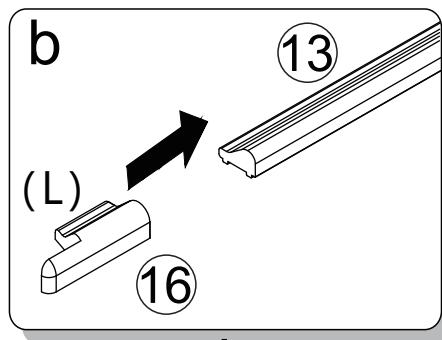
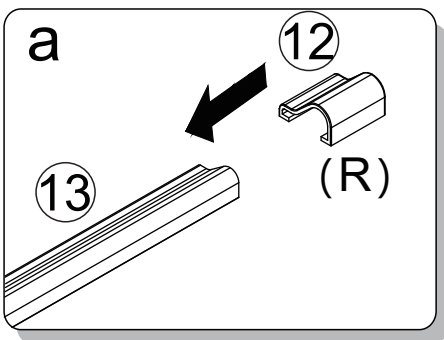
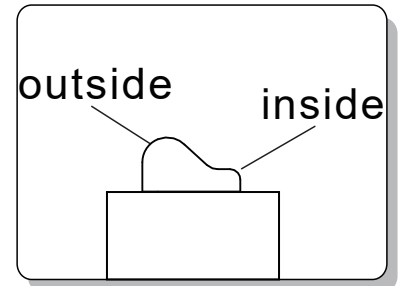
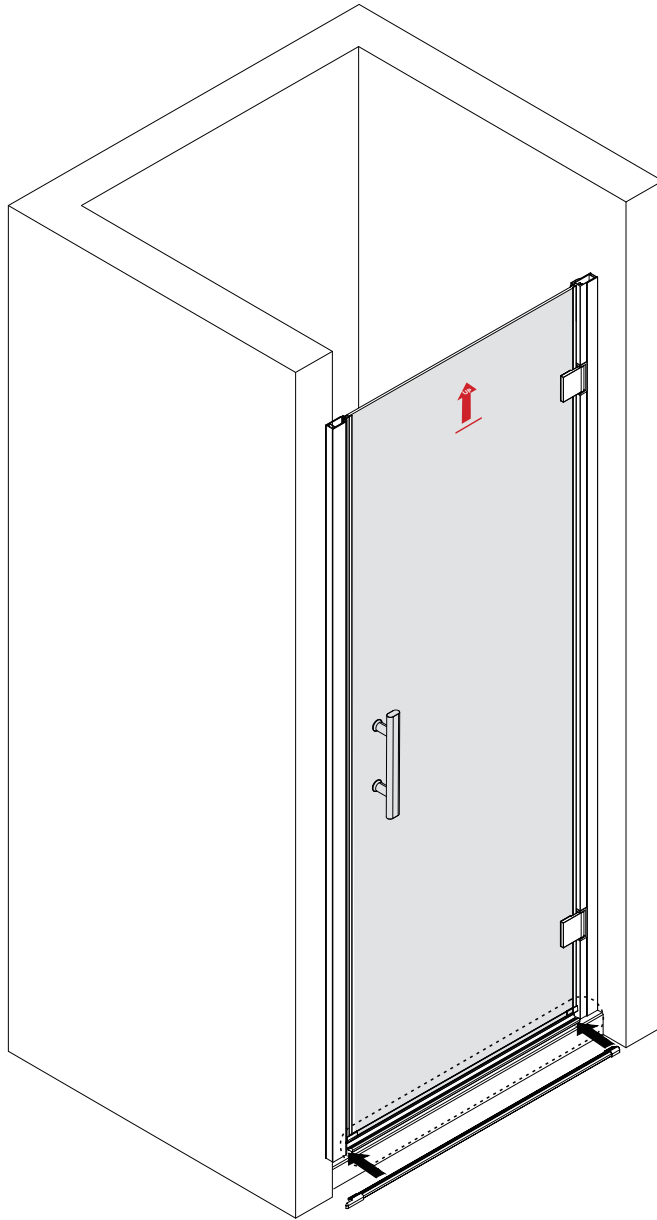


# 11

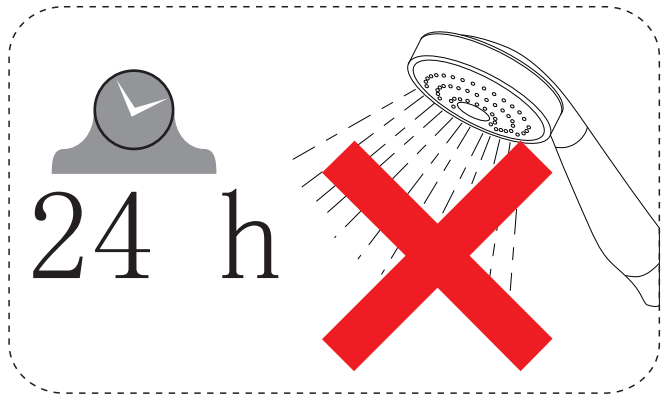
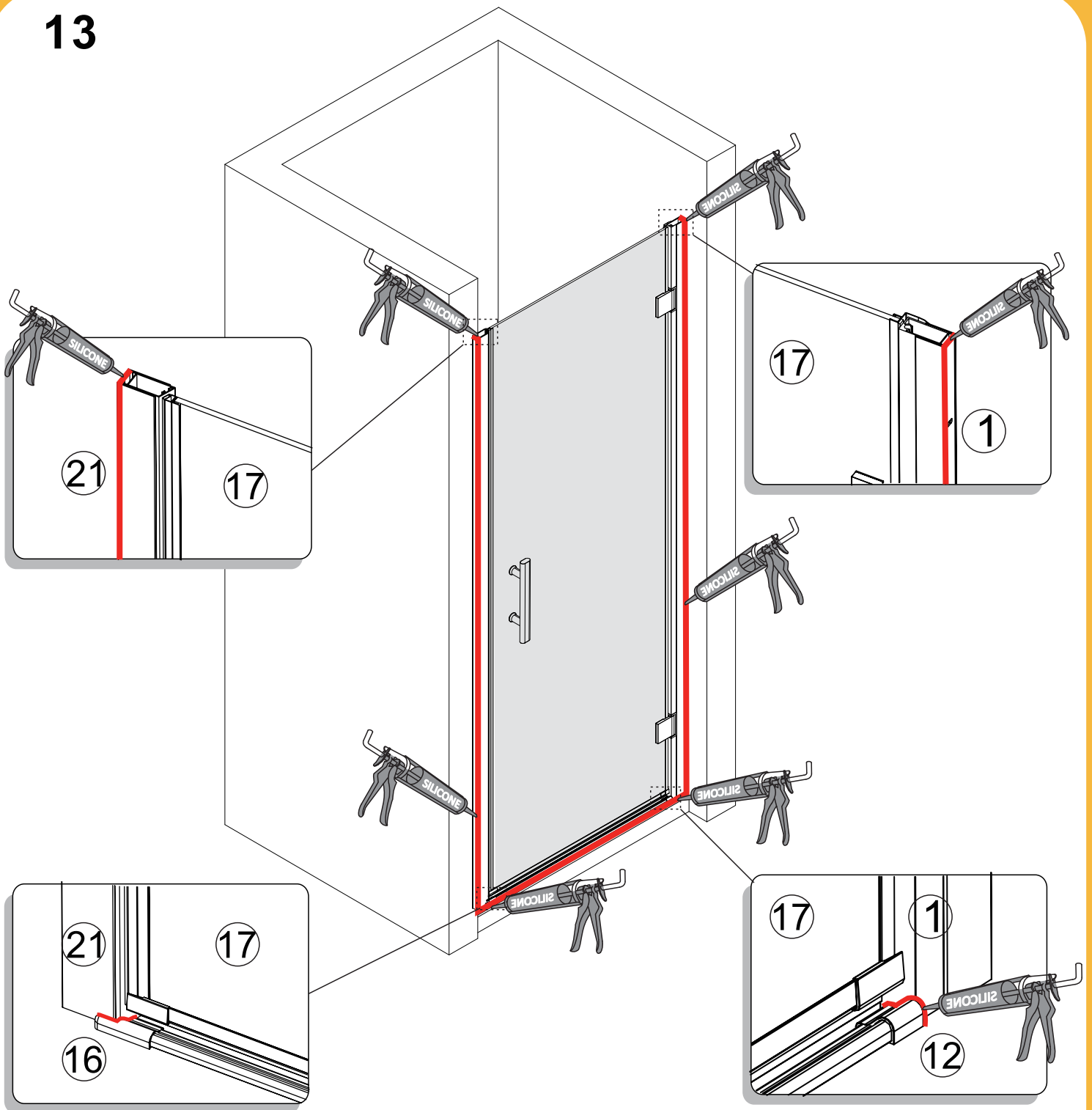


# 12

NO.	Picture	Qty
12	 R	1
13		1
16	 L	1



13



Do not use the shower door at least 24 hours in order to allow the silicone sealant to cure fully

# CARE & MAINTENANCE



## The golden rules for care

**NOTE:** Use warm soapy water and a soft damp cloth to keep the glass clean. Wipe dry with a clean cloth. Glass cleaner can be used if required. Scourers, abrasives and chemical cleaners can damage the glass and pattern, and should not be used.

In hard water areas, insoluble lime salts may be deposited on the glass. If this is allowed to build up it becomes increasingly difficult to remove and looks unsightly. Regular cleaning will minimize this effect.

- Do not attempt to cut the glass.
  - Do not strike the glass with hard or pointed items.
  - Regularly check moving parts such as rollers and hinges to ensure they are secure and adjusted correctly. Tighten and adjust where required. Also check all sealed joints to ensure seal has not deteriorated. Re-seal if required.
-

# WARRANTY

## LIMITED MANUFACTURER'S WARRANTY

- All parts and finishes of GETPRO products are warranted to the original consumer purchaser to be free from defects in material and workmanship for a period of two to five years [depending on the product and model: please check the product listing or email us at [service@getprohome.com](mailto:service@getprohome.com) if you are unsure after the date of original retail purchase. Proof of the original purchase is required to obtain a remedy under this limited warranty.
- GETPRO recommends using a certified professional for all installation and repair of kitchen and bathroom fixtures.
- GETPRO will replace, free of charge, during the warranty period any part or finish that proves defective in material and/ or workmanship under normal installation, use and service. Replacement parts may be obtained by emailing us at [service@getprohome.com](mailto:service@getprohome.com)
- This warranty is extensive in that it covers replacement of all defective parts and even finish, but these are the only two things that are covered. Labor charges and/or damage incurred in installation, repair, or replacement as well as any other kind of loss or damages are excluded.
- Proof of purchase (original sales receipt) from the original consumer purchaser must be made available to GETPRO for all warranty claims. This is the exclusive warranty by GETPRO, which does not make any other warranty of any kind including the implied warranty of Merchant ability. This warranty excludes all industrial, commercial and business usage whose purchasers are hereby extended a one-year limited warranty from the date at purchase, with all other terms of this warranty applying except the duration of the warranty.

## WHAT IS NOT COVERED UNDER THIS LIMITED WARRANTY

- Normal wear and tear, spills of food, liquid, grease accumulations or cosmetic damage.
- Damage due to accidents, misuse, physical force improper installation or operation, mishandling, neglect, fire, heat, water, humidity, liquids, insect infestation, or other intrusion.
- Products that have been repaired, altered or modified by anyone other than GETPRO or its authorized service representative.
- Damage caused by use of non-GETPRO accessories or misapplication Products whose serial numbers have been removed altered or rendered illegible.
- Products purchased, shipped from, used or serviced outside the United States. Canada and Mexico.
- Damage caused by acts of nature such as, but not limited to, lightning damage.
- Products returned without valid proof of purchase.
- Consumable parts such as light bulbs, metal, and charcoal filters.
- Any party's willful misconduct, negligence, misuse, abuse, accidents, neglect, improper operation, failure to maintain, improper or negligent installation, tampering, failure to follow operating instructions, mishandling, unauthorized service (including self-performed "fixing" or exploration of the product's internal workings).
- Use of corrosive or abrasive cleaning products.
- Cosmetic damages including scratches, dents, chips and other damage, unless such damage results from defects in materials and workmanship and is reported to GETPRO within 3 calendar days of delivery.
- Use of the Product in anything other than its normal customary and intended manner.
- A failure to comply with any applicable state, local city or county electrical, plumbing and/or building codes, regulations, or laws, including failure to install the product in strict conformity with local fire and building codes and regulations.
- In no event shall GETPRO have any liability or responsibility whatsoever for damage to surrounding property, including cabinetry, floors, ceilings, and other structures or objects around the product.

**NO ATTEMPT TO ALTER, MODIFY, OR AMEND THIS WARRANTY SHALL BE EFFECTIVE UNLESS AUTHORIZED IN WRITING BY AN OFFICER OF GETPRO**

 [service@getprohome.com](mailto:service@getprohome.com)

# HOME SERVICES



INSTALLATION VIDEO

## Missing Part or Defective?

Please Contact the Customer Service Team

✉ [service@getprohome.com](mailto:service@getprohome.com)

☎ 626 679 3588