

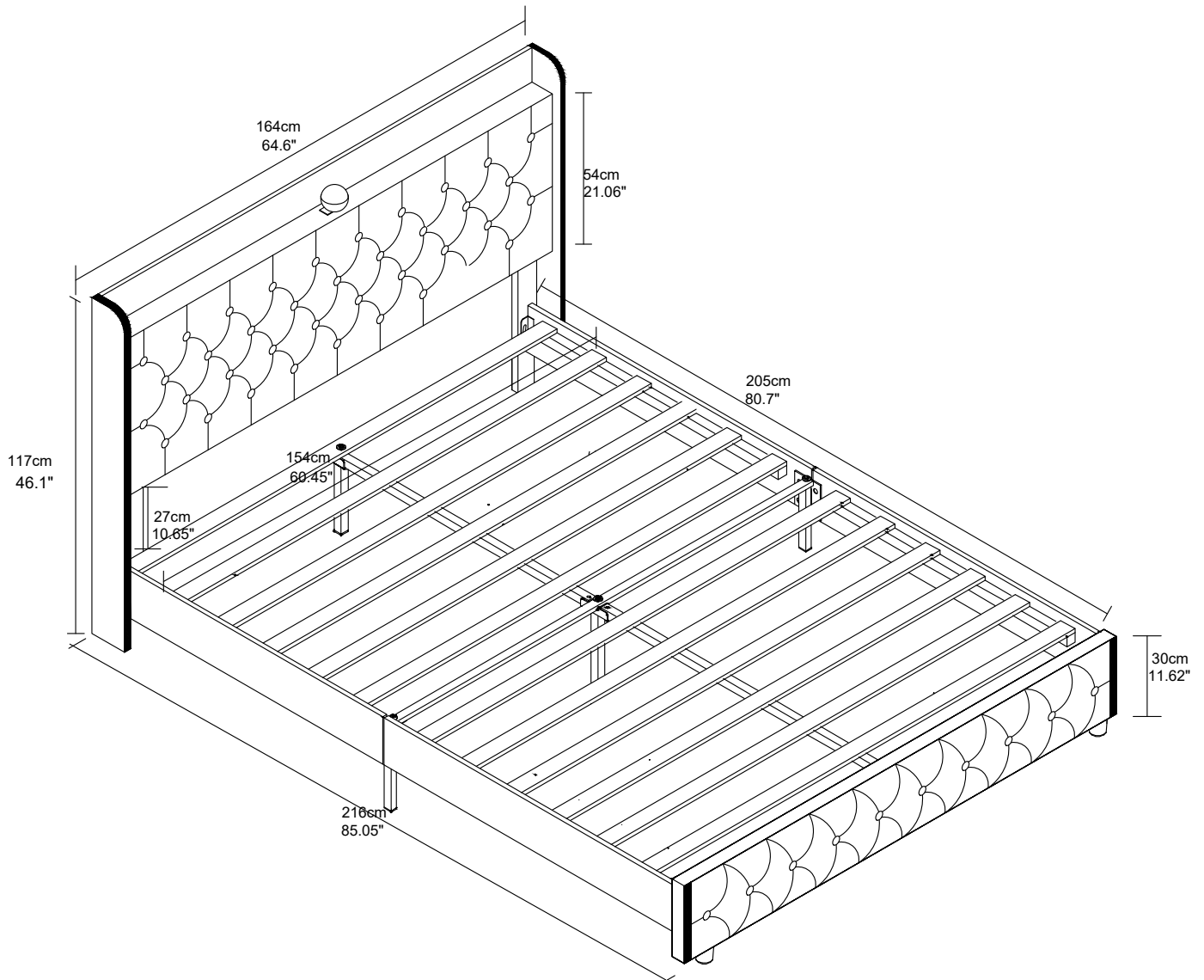
Installation & Assembly

Bed Frame



Note:

1. Should be assembled on flat ground to keep balance.
2. Before completing the installation, do not tighten the screws.
3. Please contact after-service directly for any breakage problem of the product, we will provide you with satisfactory service.



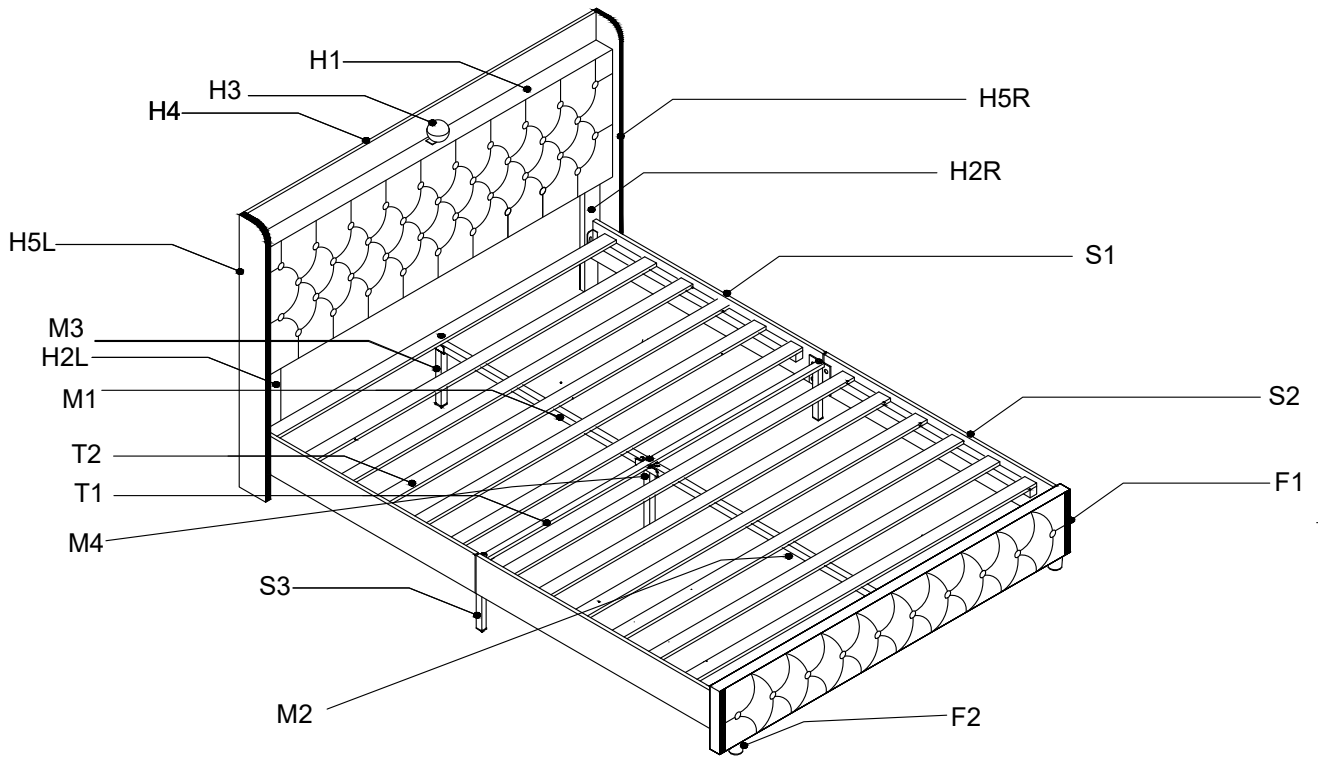
Before starting the assembly, you must read the whole manual and follow the instructions

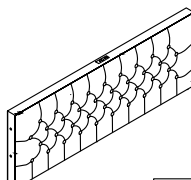
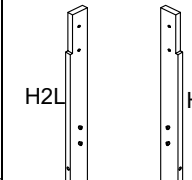
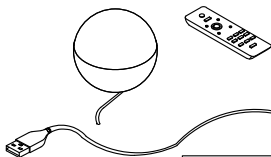
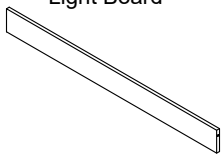

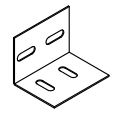
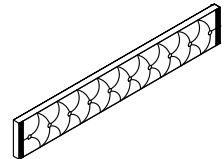

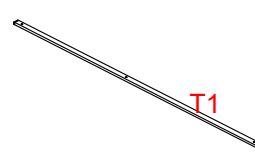

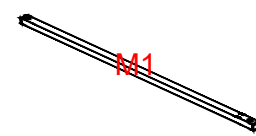
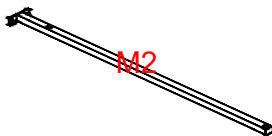


It needs at least two people to install.

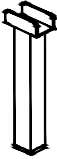
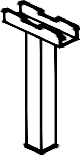
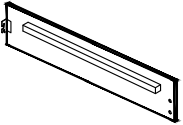
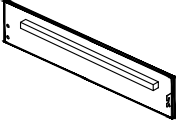
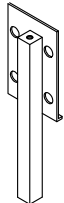

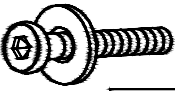
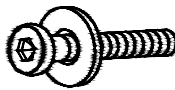


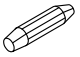


V1.0

Assembly Instruction of (Bed)



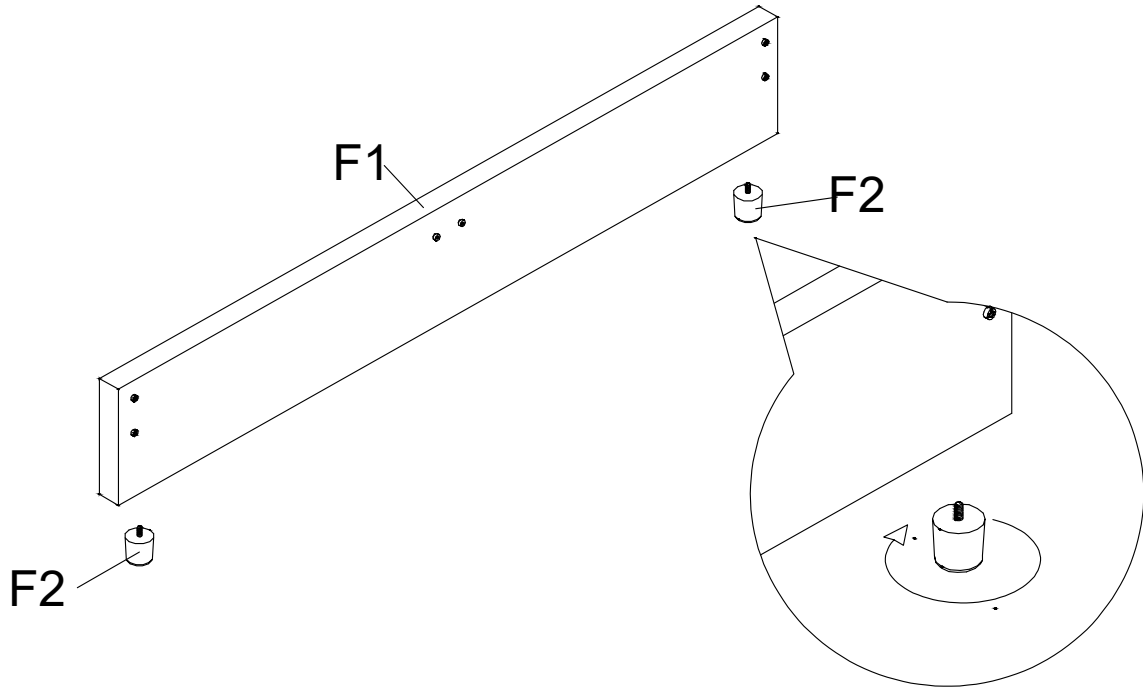
H1 Headboard  1PC	H2L&H2R Headboard Leg  H2L H2R 2PCS	H3 Starry Sky Lamp  1 Set	H4 Light Board  1PC
H5L&H5R Wingbacks  2PCS	H6 L Metal Bart  3PCS	F1 Footboard  1PC	F2 Footboard Feet  2PCS
T1 Cross Beam  T1 1PC	T2 Slat  2PCS	M1 Head Middle Rail  M1 1PC	M2 Foot Middle Rail  M2 1PC

Assembly Instruction of (Bed)

<p>M3 Head Middle Leg</p>  <div style="text-align: right; border: 1px solid black; padding: 2px; width: fit-content; margin-left: auto;">2PCS</div>	<p>M4 Central Middle Leg</p>  <div style="text-align: right; border: 1px solid black; padding: 2px; width: fit-content; margin-left: auto;">1PC</div>	<p>S1 Side Rail</p>  <div style="text-align: right; border: 1px solid black; padding: 2px; width: fit-content; margin-left: auto;">2PCS</div>
<p>S2 Side Rail</p>  <div style="text-align: right; border: 1px solid black; padding: 2px; width: fit-content; margin-left: auto;">2PCS</div>	<p>S3 Side Rail Feet</p>  <div style="text-align: right; border: 1px solid black; padding: 2px; width: fit-content; margin-left: auto;">2PCS</div>	<p>U1 M8×45mm Screw with Washer</p>  <div style="text-align: right; border: 1px solid black; padding: 2px; width: fit-content; margin-left: auto;">11+1PCS</div>
<p>U2 M8×30mm Screw with Washer</p>  <div style="text-align: right; border: 1px solid black; padding: 2px; width: fit-content; margin-left: auto;">4+1PCS</div>	<p>U3 M8×95mm Screw with Washer</p>  <div style="text-align: right; border: 1px solid black; padding: 2px; width: fit-content; margin-left: auto;">2PCS</div>	<p>U4 M8×17mm Screw with Washer</p>  <div style="text-align: right; border: 1px solid black; padding: 2px; width: fit-content; margin-left: auto;">8+1PCS</div>
<p>U5 M6×15mm Screw</p>  <div style="text-align: right; border: 1px solid black; padding: 2px; width: fit-content; margin-left: auto;">12+1PCS</div>	<p>U6 Wood Plug</p>  <div style="text-align: right; border: 1px solid black; padding: 2px; width: fit-content; margin-left: auto;">2PCS</div>	<p>U8L M8 L-Wrench</p>  <div style="text-align: right; border: 1px solid black; padding: 2px; width: fit-content; margin-left: auto;">1PC</div>
<p>U6L M6 L-Wrench</p>  <div style="text-align: right; border: 1px solid black; padding: 2px; width: fit-content; margin-left: auto;">1PC</div>		

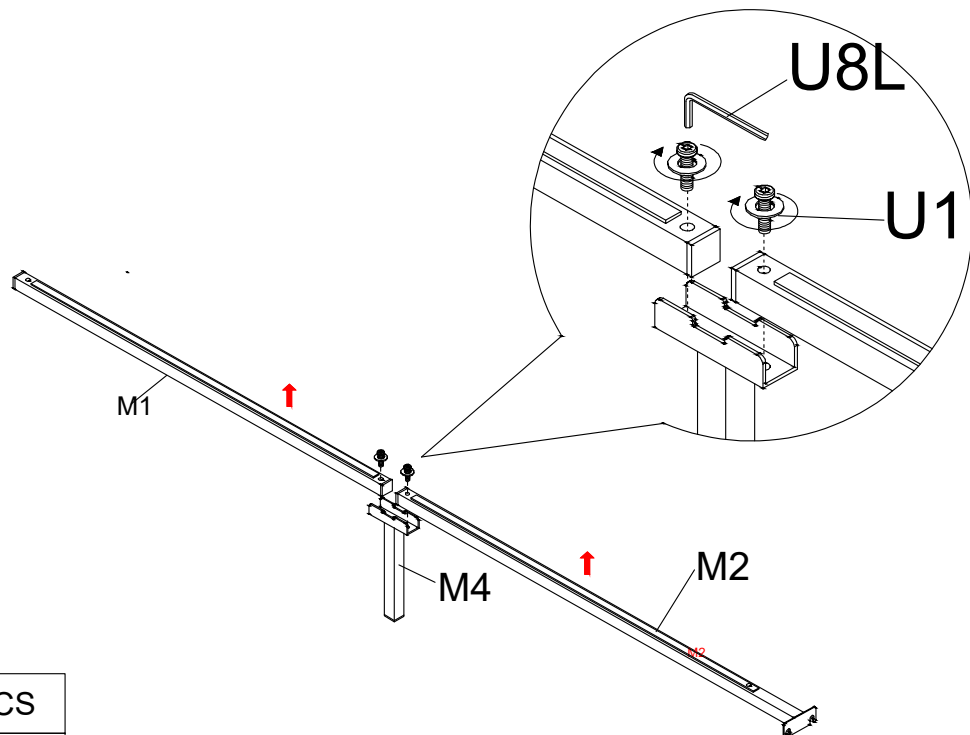
Assembly Instruction of (Bed)

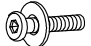

STEP 1



STEP 2

Noted that the middle cross beam, the direction of the red arrow is the front

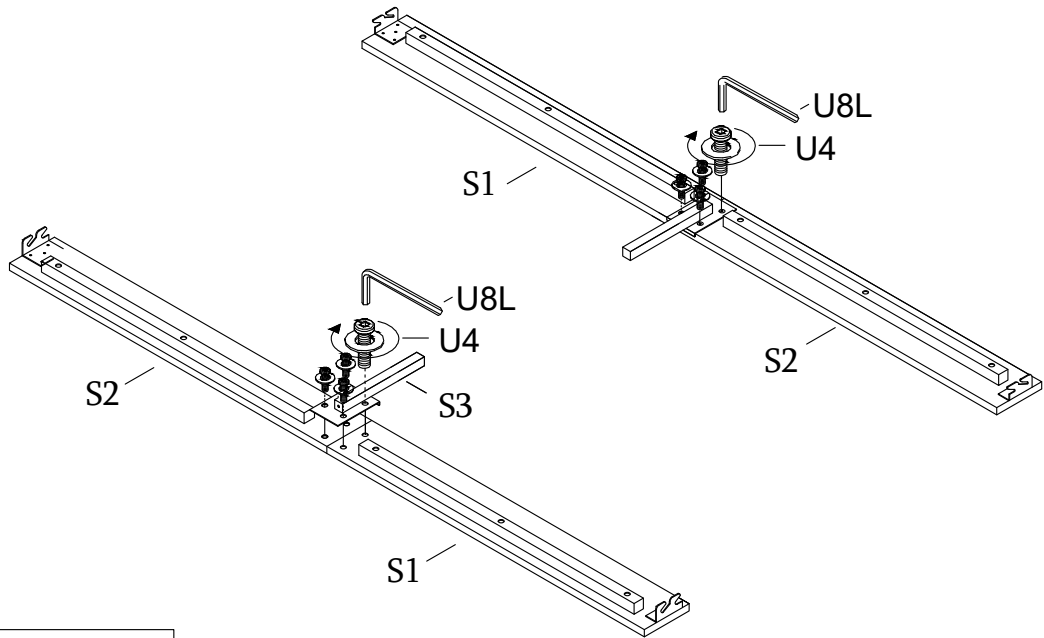




	U1 x 2PCS
	U8L x 1PC

Screws with whshers will make the bed more stable.

Assembly Instruction of (Bed)

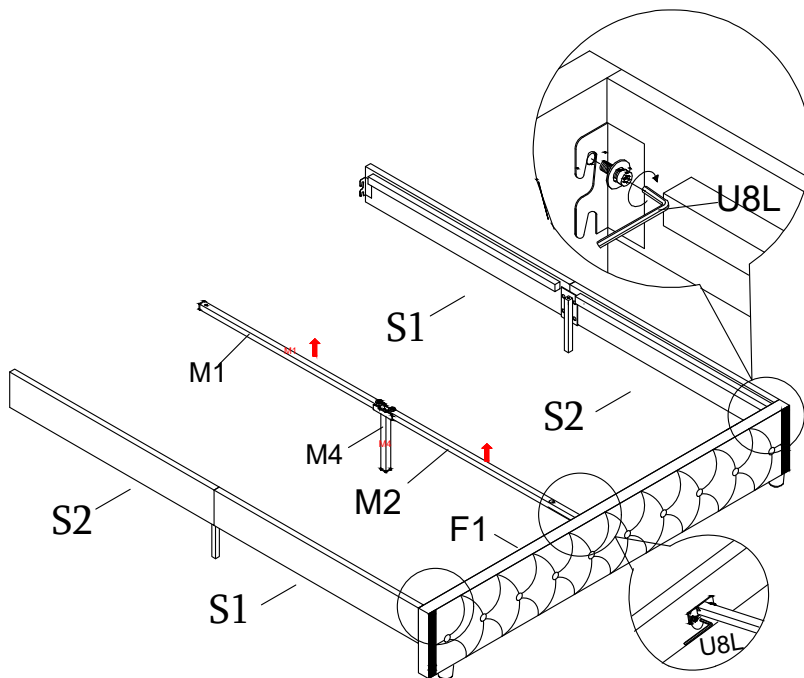
STEP 3




	U4 x 8PCS
	U8L x 1PC

STEP 4

Noted that the middle cross beam, the direction of the red arrow is the front



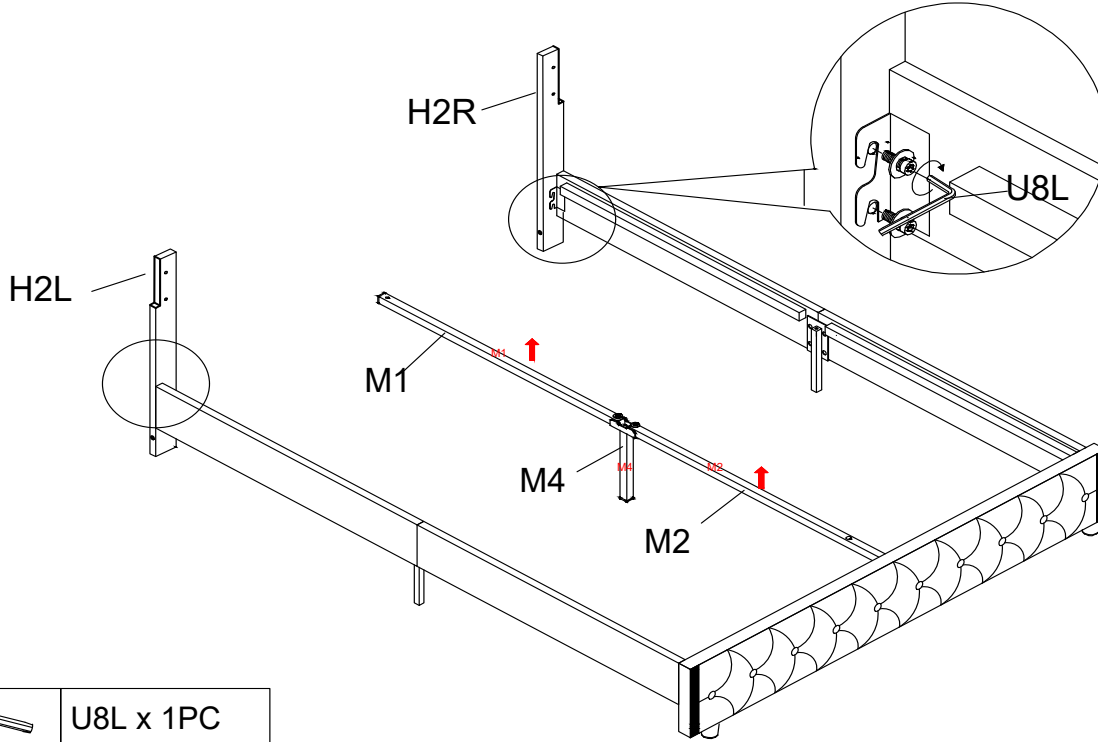
	U8L x 1PC
---	-----------

Screws with shshers will make the bed more stable.

Assembly Instruction of (Bed)

STEP 5

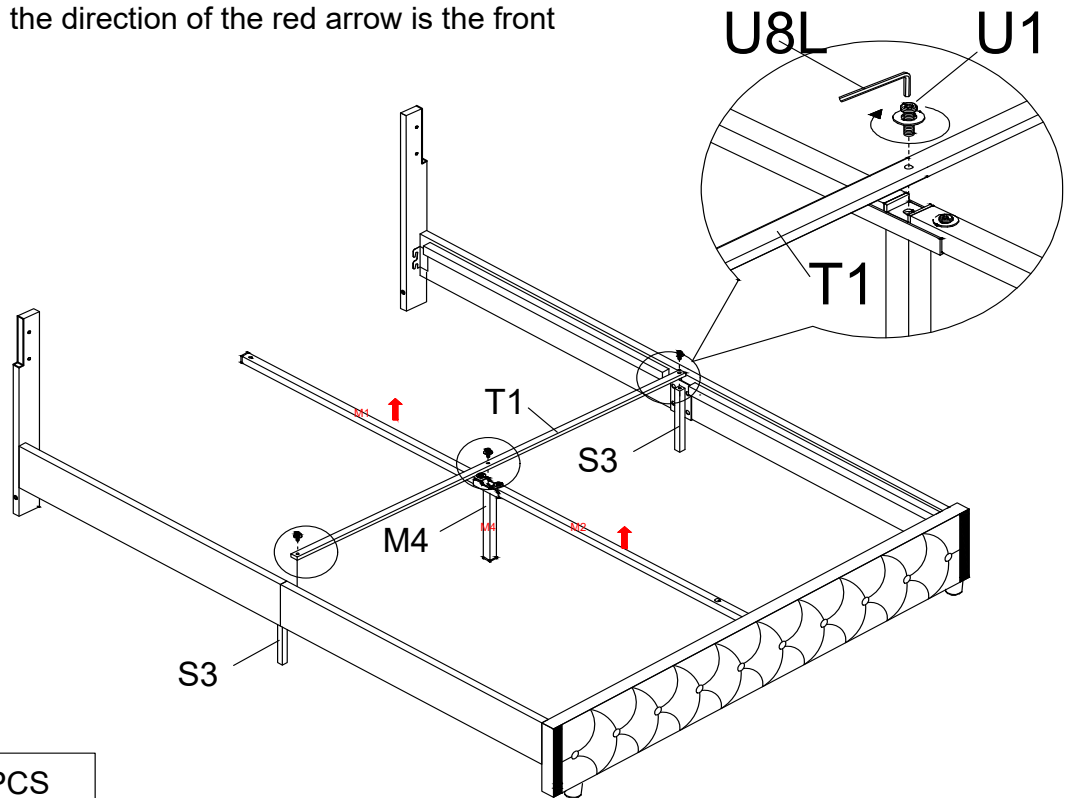
IMPORTANT: To attach the headboard support leg(part number H2) to the frame, first, install the initial screw and tighten it to 70%. Then, align the second screw with the hole and tighten it to 100%. After that, tighten the first screw to 100%



U8L x 1PC

STEP 6

Noted that the middle cross beam, the direction of the red arrow is the front



U1 x 3PCS

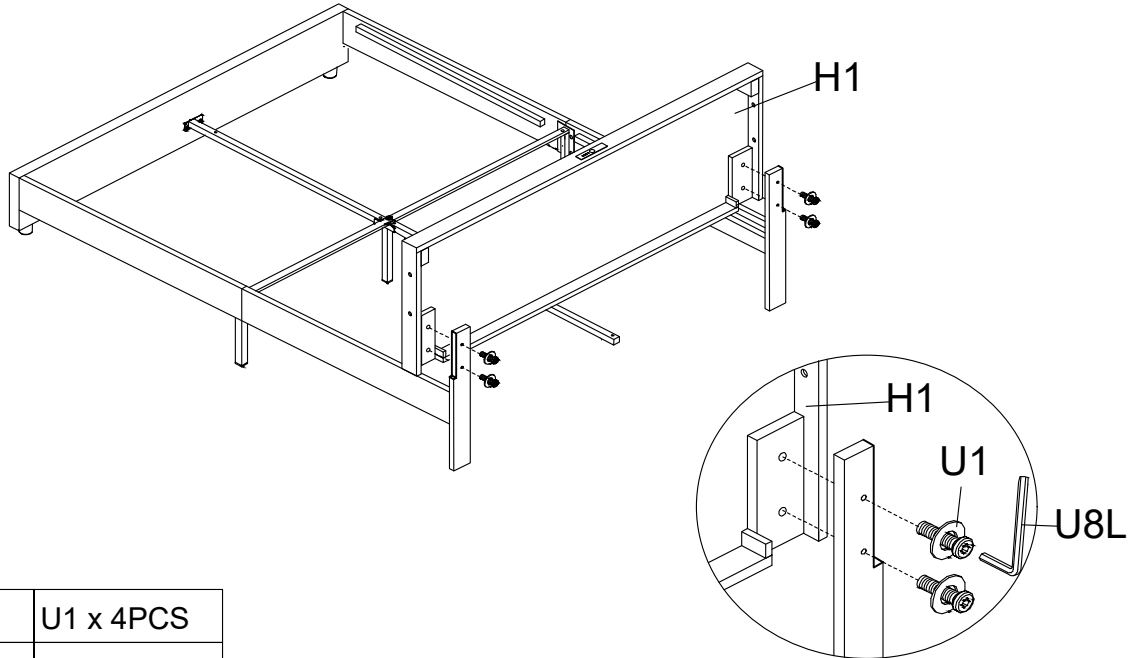




U8L x 1PC

Screws with whshers will make the bed more stable.

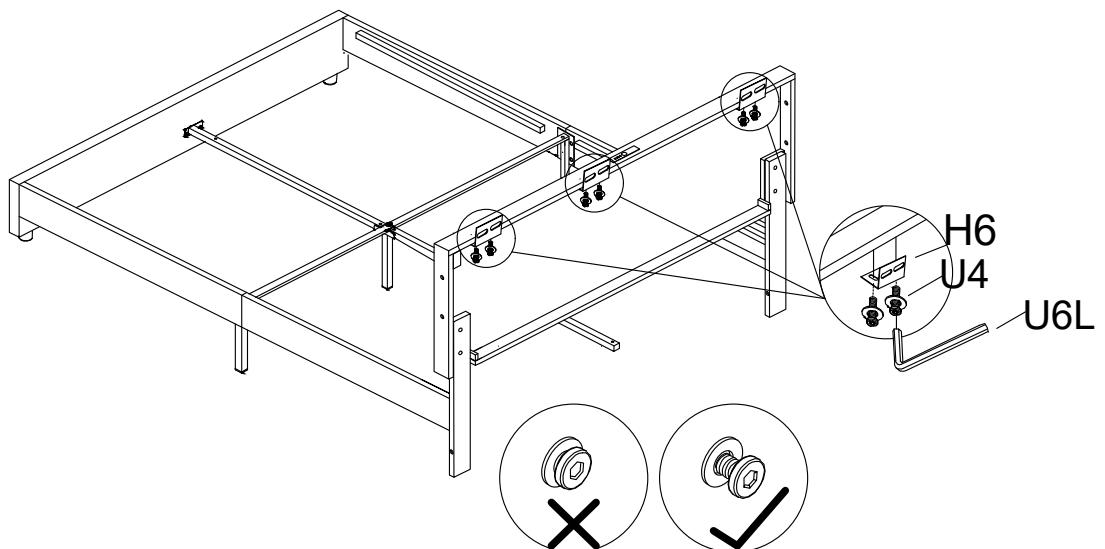
Assembly Instruction of (Bed)




STEP 7 **IMPORTANT** : The washers are crucial for a tight fit. Do not forget to use them with the screws.



	U1 x 4PCS
	U8L x 1PC

STEP 8 **IMPORTANT**: Ensure the side with the vertical cylindrical holes of the L-bracket (part number H6) is facing down



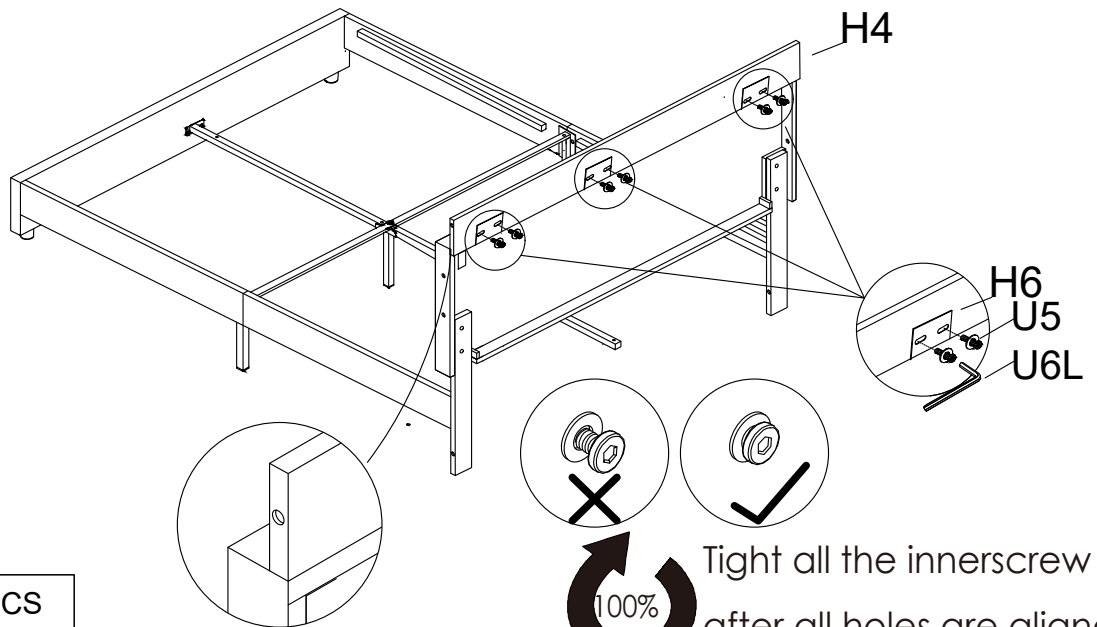
	H6 x 3PCS
	U4 x 6PCS
	U6L x 1PC





please do not tighten them too much

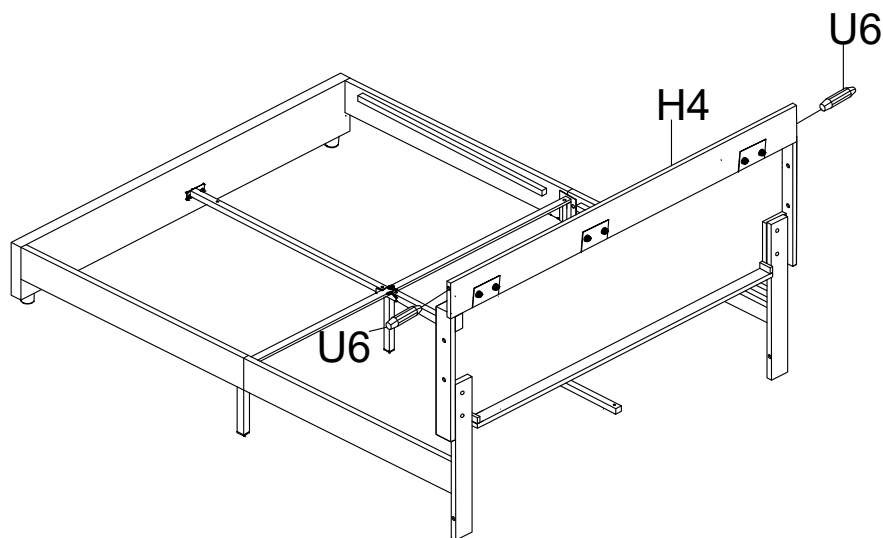
Assembly Instruction of (Bed)


STEP 9



	U5 x 6PCS
	U6L x 1PC

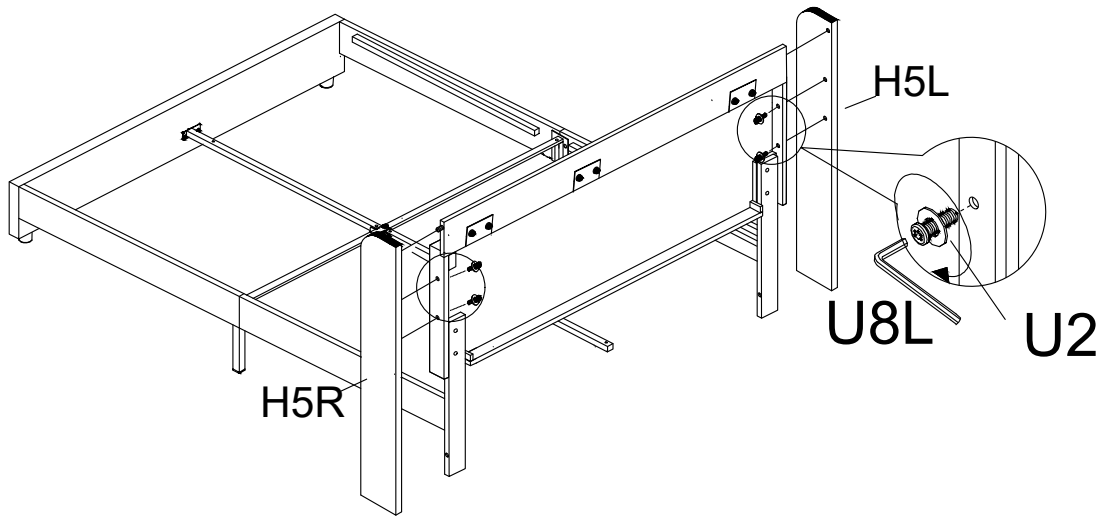
STEP 10





	U6 x 2PCS
---	-----------

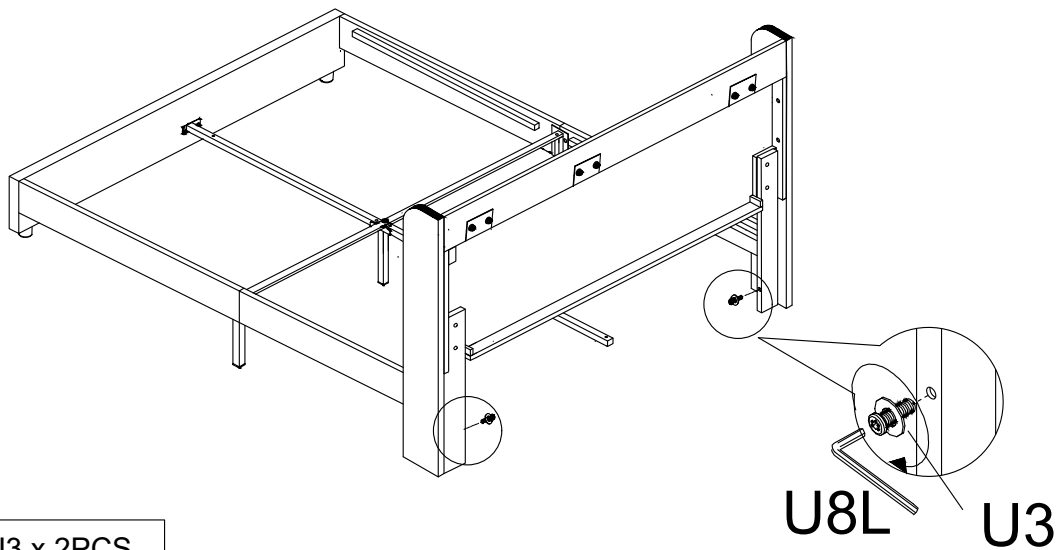
Assembly Instruction of (Bed)



STEP 11



	U2 x 4PCS
	U8L x 1PC

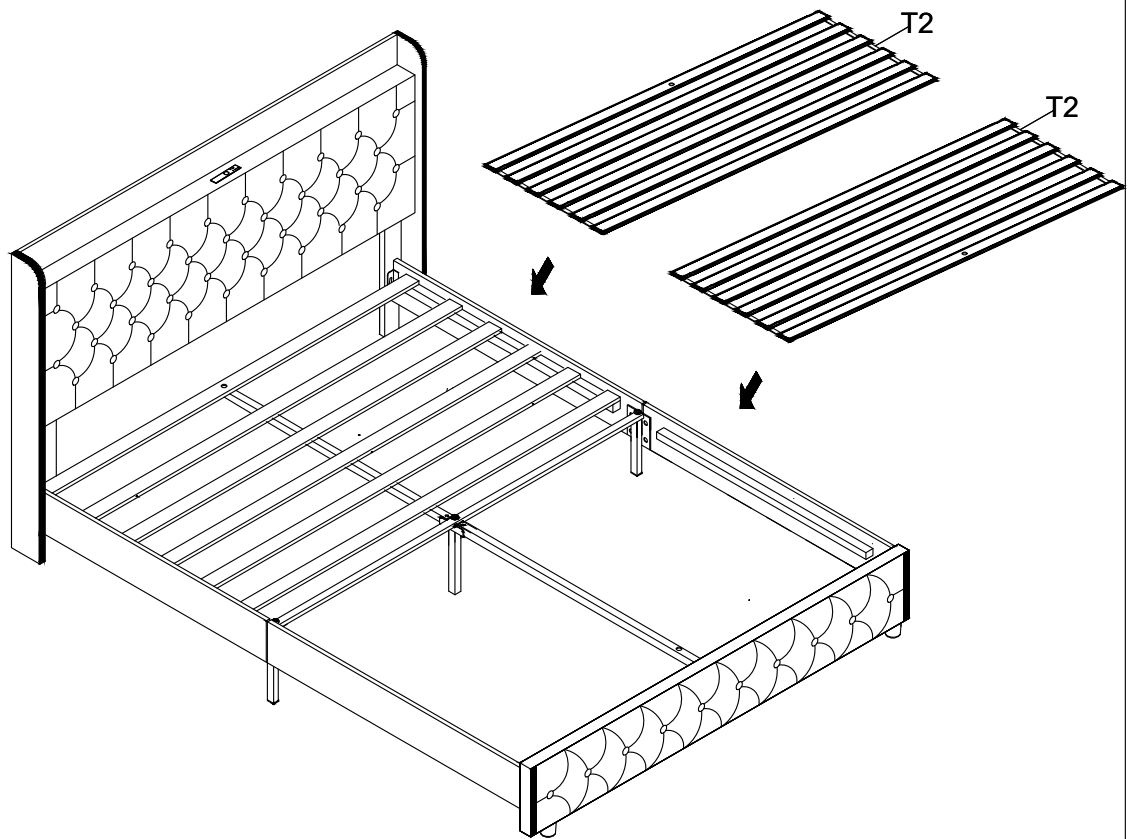
STEP 12



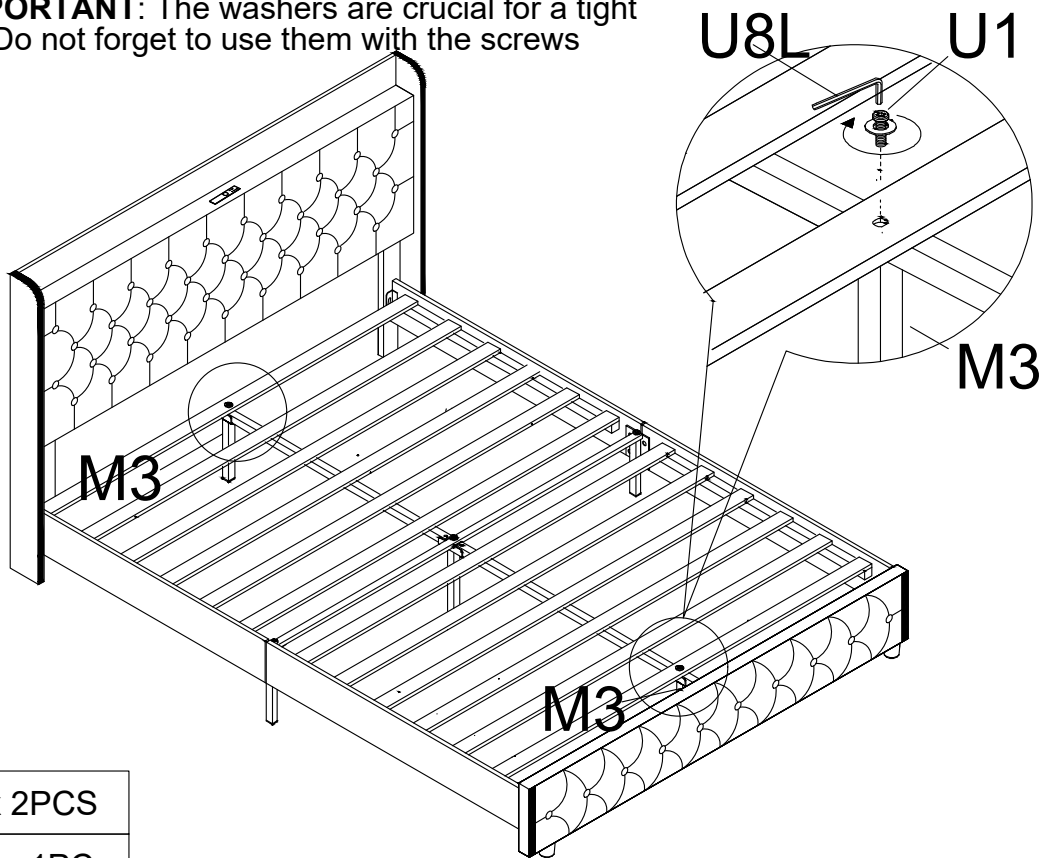
	U3 x 2PCS
	U8L x 1PC

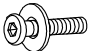

Assembly Instruction of (Bed)

STEP 13



STEP 14 **IMPORTANT:** The washers are crucial for a tight fit. Do not forget to use them with the screws



	U1 x 2PCS
	U8L x 1PC

Assembly Instruction of (Bed)

STEP 15

Step 1: Connect the Power

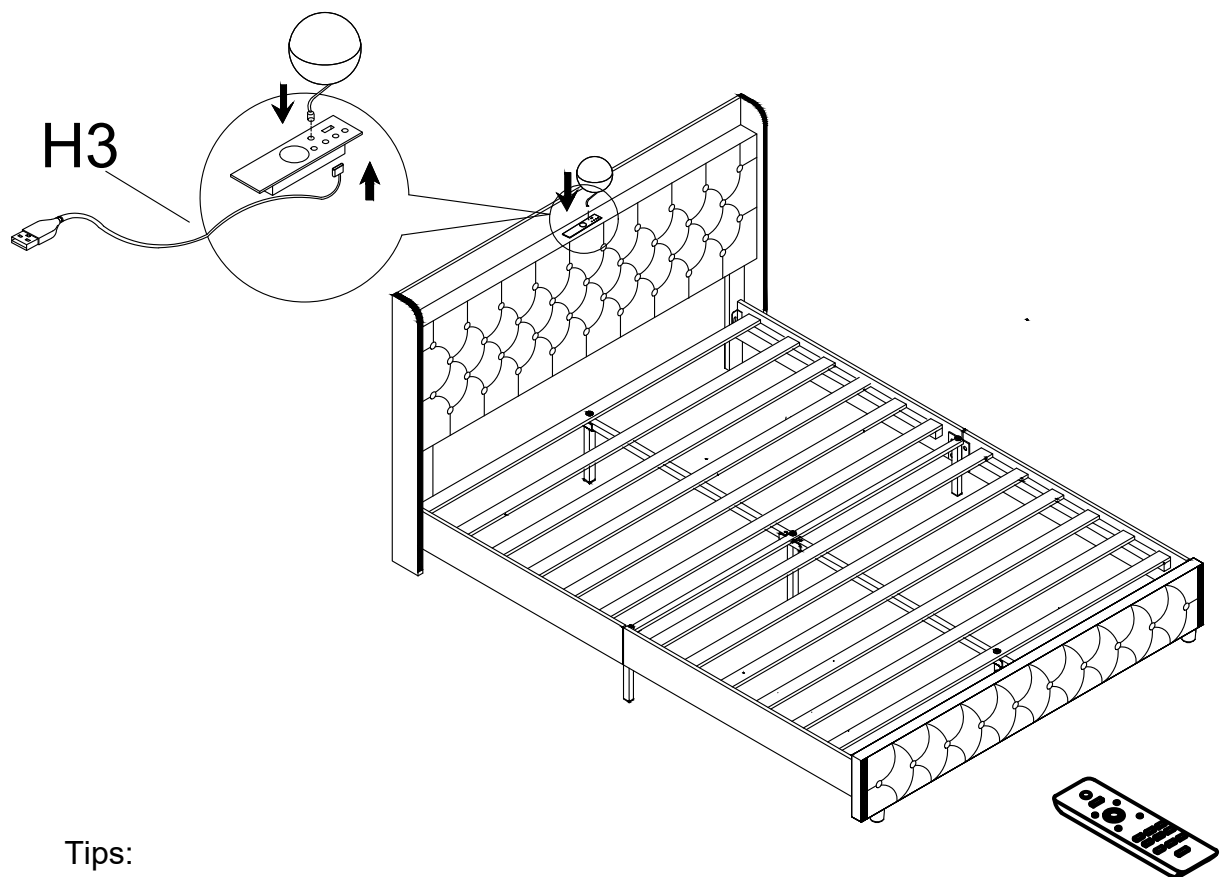
Locate the Type-C port on the back of the headboard, directly below the base of the starry sky light. Plug one end of the power cable into this port.

Connect the other end of the power cable to your power adapter.

Step 2: Install the Starry Sky Light

Insert the round end of the starry sky light's connection cable into the round socket on the magnetic base located at the center of the headboard.

Place the starry sky light onto the magnetic base.



Tips:

1. To power on the starry sky light, press and hold the power button for 3 seconds. The light can connect to Bluetooth for music playback; please refer to the separate lighting manual for details.
2. The provided remote control does not have a power on/off function. Please use the power button on the base of the starry sky light on the headboard for switching the light on and off.



H3 x 1SET