

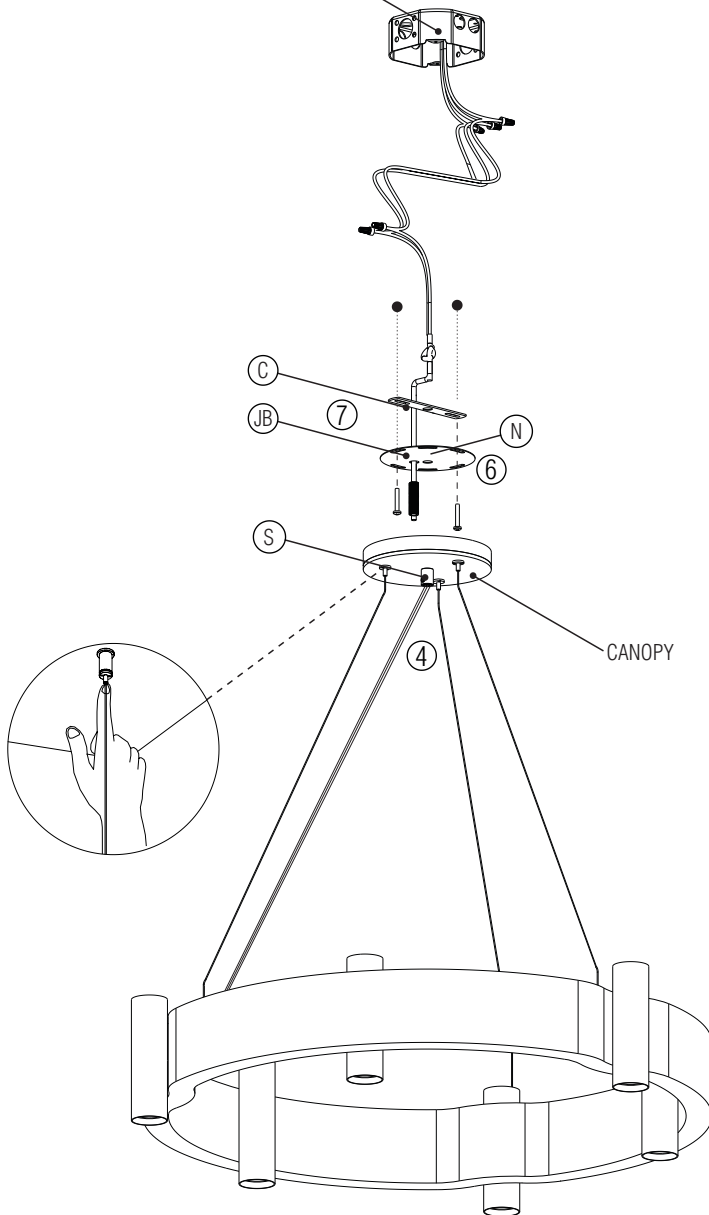
WARNING!



Be sure electrical power is OFF before and during installation or maintenance. The luminaire must be installed by a qualified electrician, in accordance with all applicable local codes.

Ensure that the rated luminaire voltage requirements are compatible with the available mains supply in which it will be installed. All LEDs are included in your lamp. Never touch the LED surface with your bare hands as this may reduce the life of your LED. Do not alter, relocate or remove any electrical component.

JUNCTION BOX
(NOT SUPPLIED)



Line: FLOW
Family: PENDANT
Description: FLOW ACCORD PENDANT

Material: Natural Wood Vener, MDF and carbon steel.

Turn off the power before beginning the installation, and keep it off until the installation is complete.

This assembly process requires the assistance of two people to be completed successfully.

- ① Remove the protective packaging from the components, taking care not to damage any parts with sharp surfaces or objects.
- ② Insert the steel cable into the adjustable cable clamps installed on the canopy. To insert the cable and adjust the height, press the tip of the clamp while simultaneously inserting the cable. Upon releasing the tip, the clamp will lock and secure the component. Adjust all the clamps and steel cables, setting the desired height and leveling the fixture. After adjustment, neatly coil any excess cables and ensure they do not come into contact with electrical connections.
- ③ Insert the power cable into the strain relief (S), nipple (N), and junction box cover (JB). Adjust the cable length to match the desired height at which the fixture will be installed.
- ④ Make the electrical connections in accordance with all applicable safety regulations and electrical installation codes. This product must be installed in compliance with the relevant technical standards and by someone familiar with electrical installations, the product itself, and aware of the associated risks.
- ⑤ Using the screws (S1) provided, secure the mounting bar to the junction box.
- ⑥ Attach the nipple to the mounting bar through the central hole of the canopy. Bring the canopy and cable gland close to the junction box, then tighten the cable gland onto the nipple, securely fastening the canopy to the ceiling. Once the connection is secure, tighten the screw on the cable gland to anchor the power cable.
- ⑦ Install a E-12 compatible bulbs on the socket, with a maximum rating of 8W each .

Turn on the power.

The luminaire is ready for use

ATTENTION!



FAILURE TO COMPLY WITH THESE INSTRUCTIONS MAY CAUSE ACCIDENTS AND LOSS OF PRODUCT WARRANTY. Its recommended to read these instructions completely and carefully before proceeding.

SAVE THESE INSTRUCTIONS FOR FUTURE REFERENCE.

ACCORD Lighting guarantees coverage against manufacturing defects including electrical components and finishes, for a period of three years, under normal use, from the date of purchase. For warranty service, please contact your local dealer for further instructions. Proof of date of purchase will be required for validation of warranty service.

The responsibility of the manufacturer regarding the product warranty is related to the correct observation of the instructions contained in this manual. The manufacturer is not responsible for any damage to the product caused by accidents, alterations of any kind, improper usage or improper installation. See the website for additional warranty details.

ACCORD Lighting reserves the right to change the dimensions and specifications contained in this manual without prior notice, in accordance with its policy of continuous product improvement. Please, contact the manufacturer if additional information is necessary. The illustrations in this manual are for guidance only and may vary in scale, dimensions and model details.