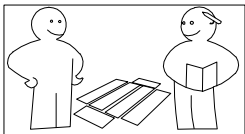
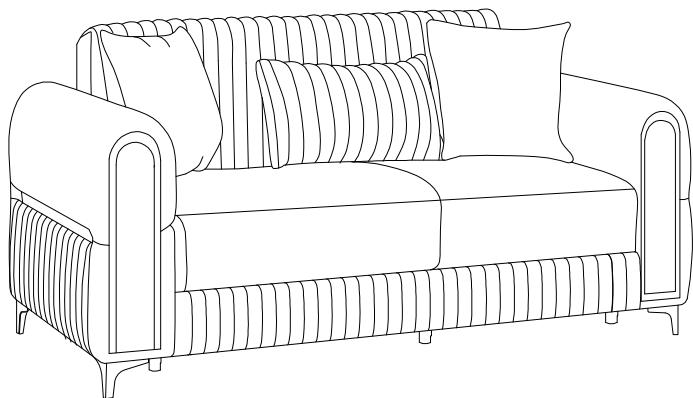


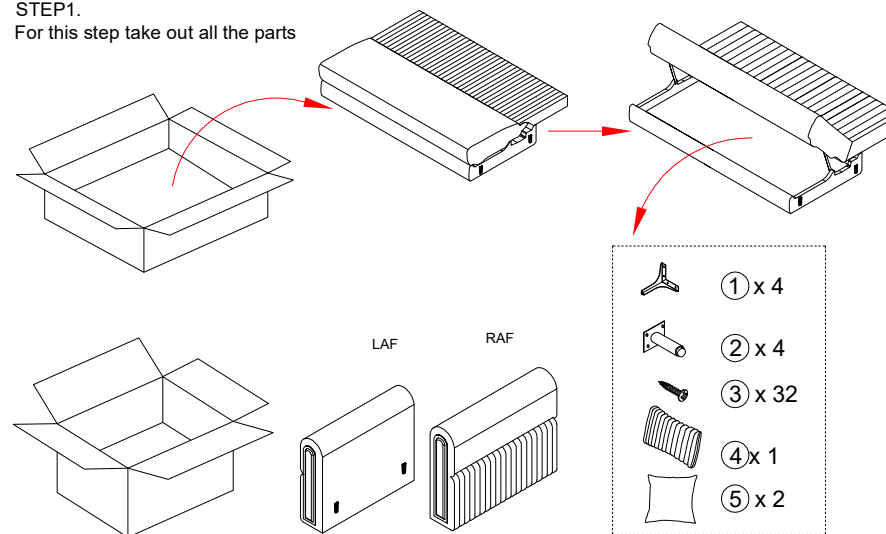
# RUBY LOVESEAT ASSEMBLY INSTRUCTION



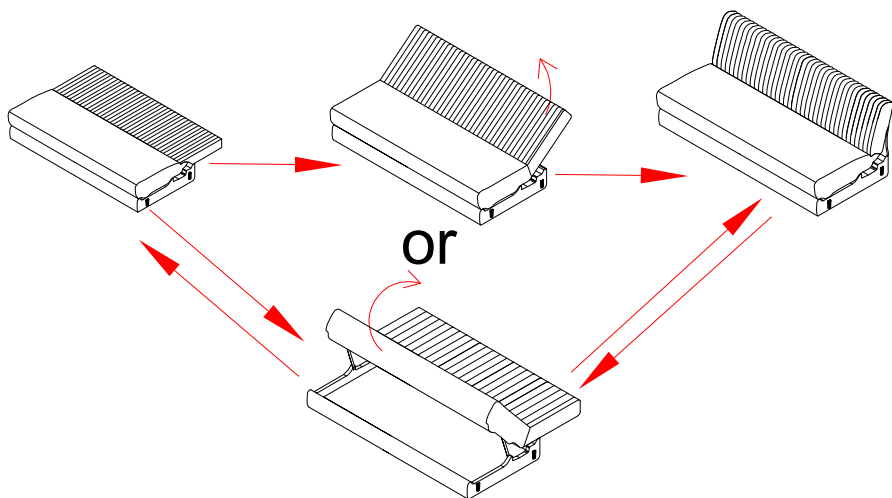
Attention:  
Two persons are required for assembly and lifting.



STEP1.  
For this step take out all the parts



STEP2.



STEP3.

Assemble stainless steel legs 2 pcs to the bottom of each armrest. Install the adjustable legs (4 pcs) according to the hole markings.

