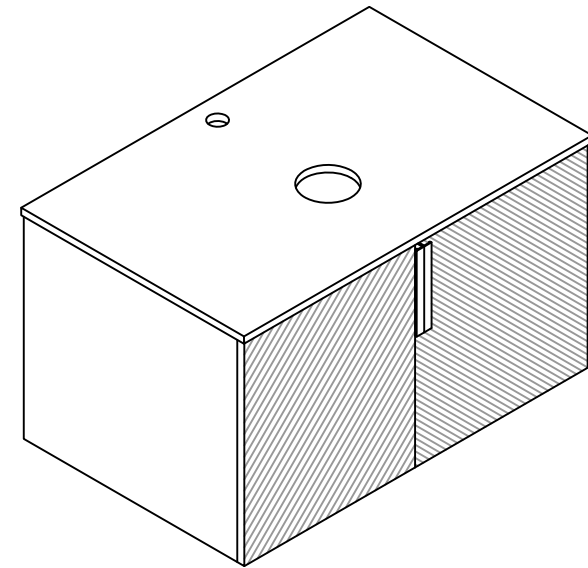


**Installation Manual-BV B13530
BV B13536**

**MOTIVATE
YOUR LIFE !**

THANKS FOR WATCHING

Your feedback is invaluable to us and we would love to hear about your experience. Please take the time to leave us a review.



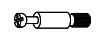
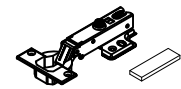

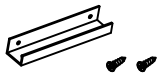




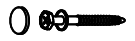



Thank you for shopping with us!

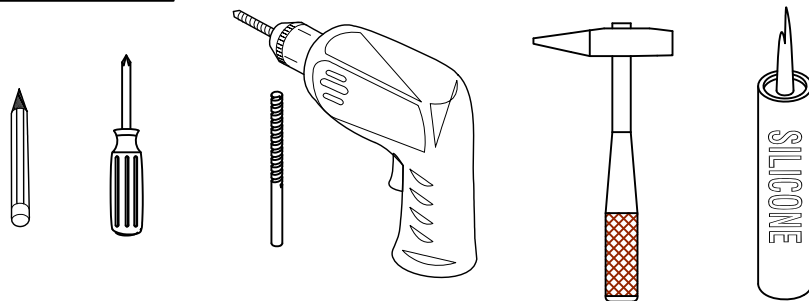
We encourage you to take a few minutes to go through this booklet. It contains important information on installation and care tips to keep your furniture looking as good as new.

Item NO.:BV B13530 / BV B13536

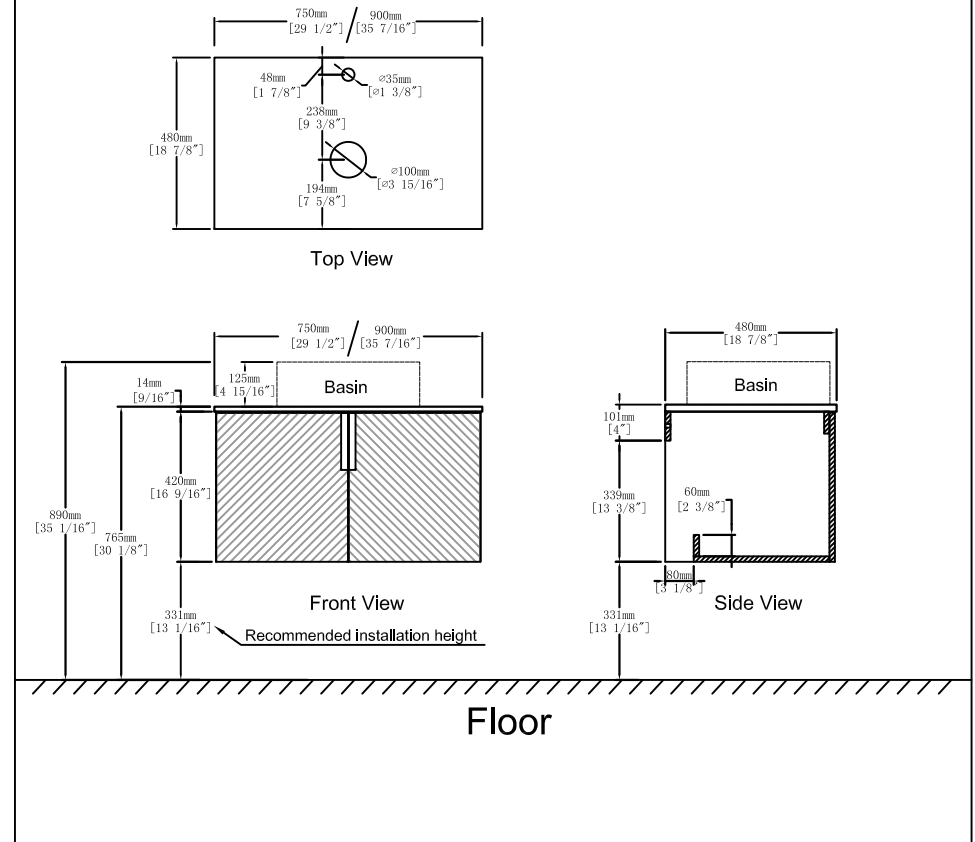
Hardware

| NO. | Draw | QTY | NO. | Draw | QTY |
|-----|---|-----|-----|--|-----|
| A |  Screws Ø4x14mm | 44 | H |  Bracket (19x19x35mm) | 2 |
| B |  Two-in-one connector | 17 | I |  Hinges (Full cover) | 4 |
| C |  Two-in-one connector | 17 | J |  Handle (Screws Ø4x14mm) | 2 |
| D |  Wood plug | 4 | K |  Anti-collision gasket | 4 |
| E |  Plastic anchor(Ø10mm) | 2 | L |  Screwdriver | 1 |
| F |  Screws for fix on the wall | 2 | | | |
| G |  Bracket (53x70x44mm) | 2 | | | |

Recommended tools



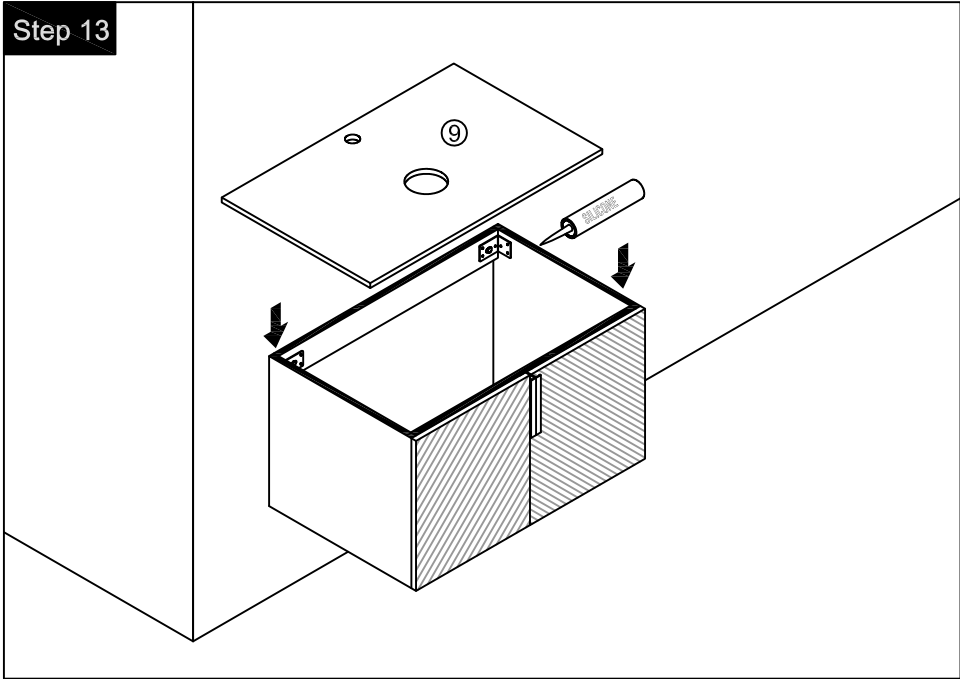
Dimensions



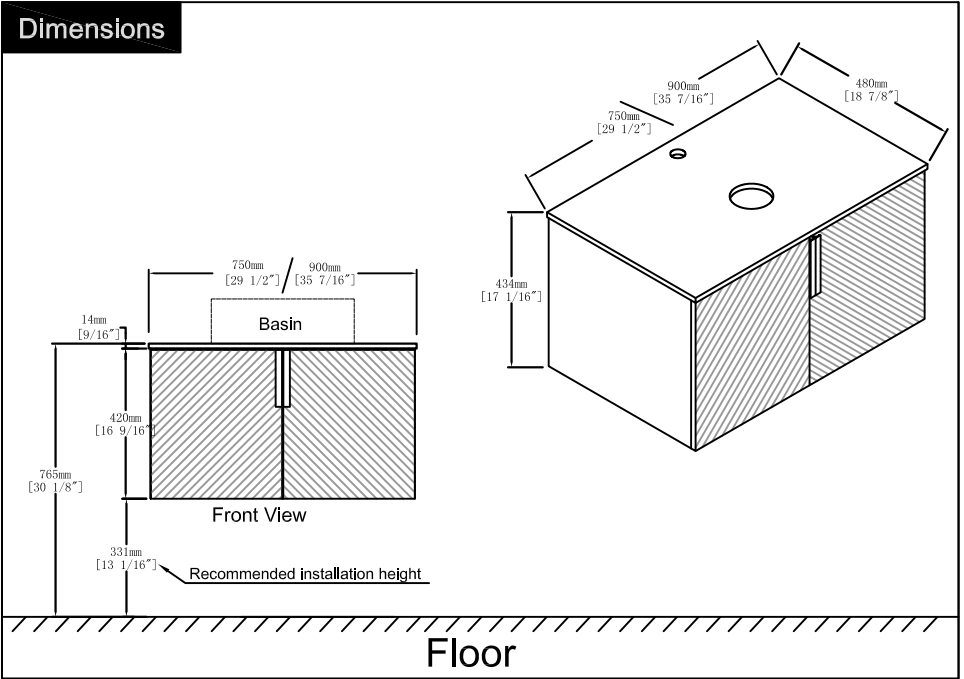
CARE CLEANING AND MAINTENANCE

1. Dust regularly with a soft , dry cloth.
2. Avoid the use of all chemicals household cleaners, abrasives, or cleaners that contain lemon, vinegar, or other acids that may damage the finish.
3. Excessive exposure to sunlight and extreme changes in temperature and moisture can damage wood furniture.
4. The sink is fragile, please pay attention to maintaining its appearance.
5. Do not place hot appliances, such as curling irons and hot hair dryers directly on the countertop. Wipe spills immediately.

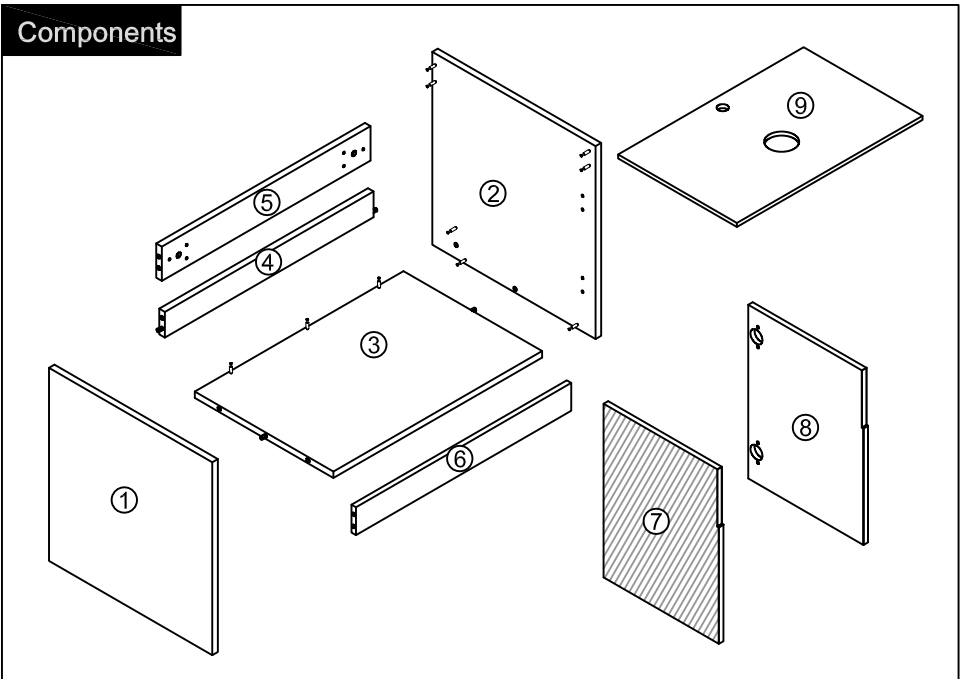
Step 13



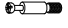

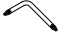
Dimensions

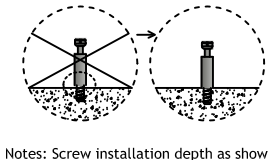
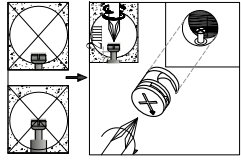
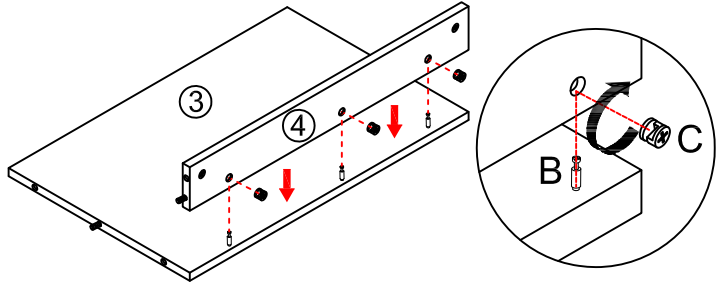


Components



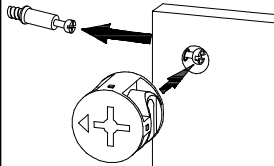
Step 1

-  x3
- B**
-  x3
- C**
- 
- L**

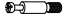


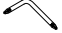


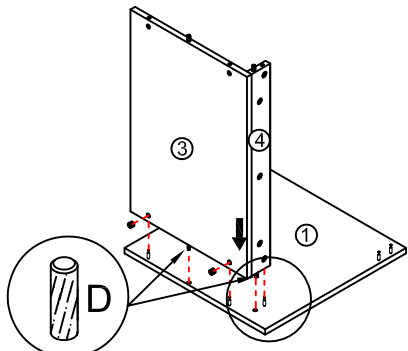
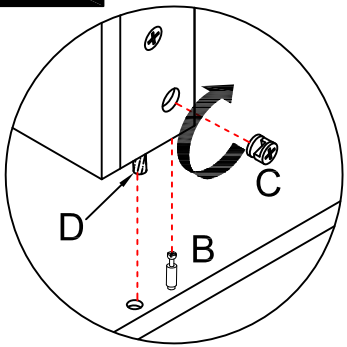
Notes: Screw installation depth as shown

Attention: Cam lock arrow point to the steel rod.

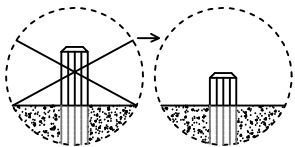


Step 2

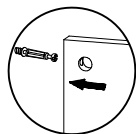
-  x3
- B**
-  x3
- C**
-  x2
- D**
- 
- L**



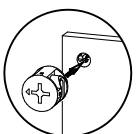
Note: The D parts are used for these two holes



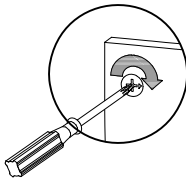
first step




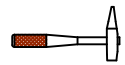
second step

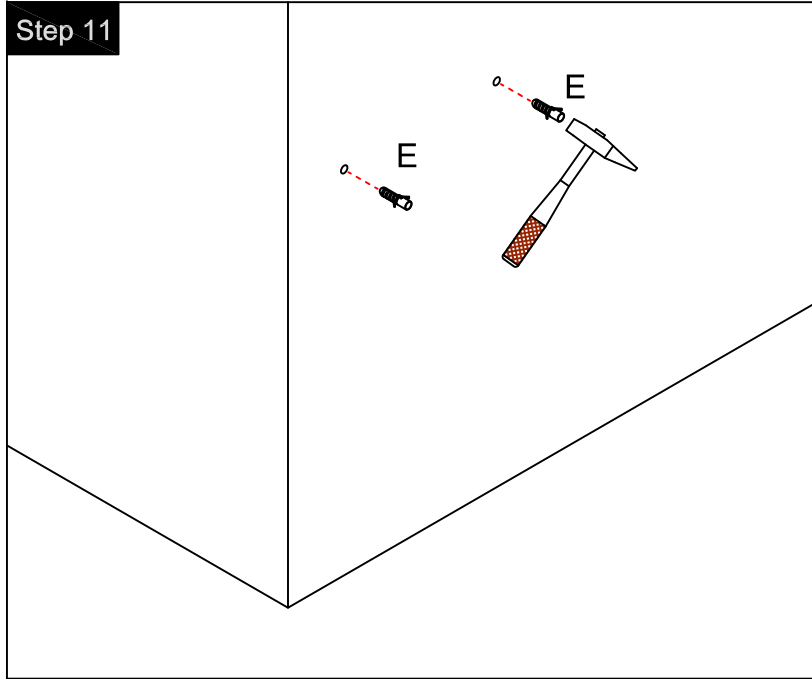


third step

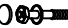



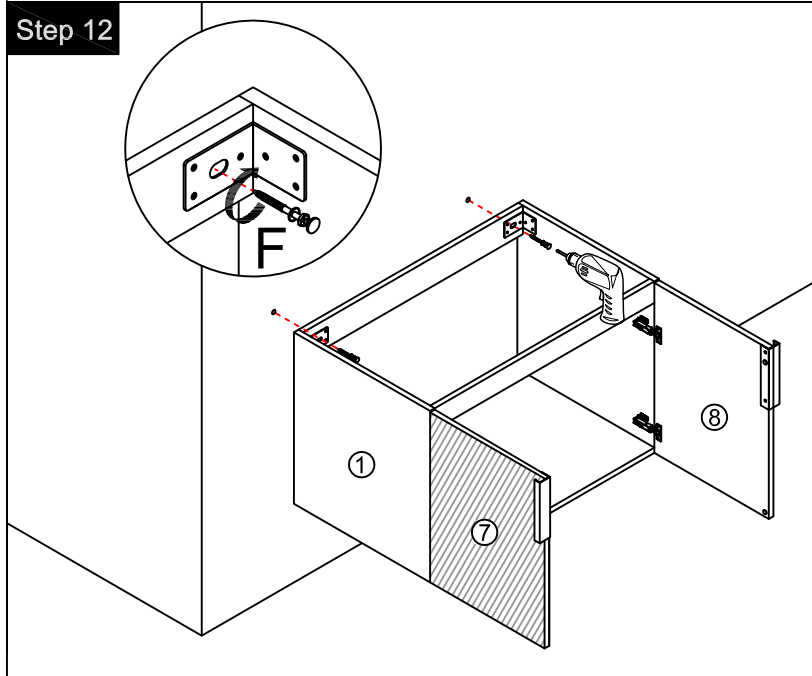
Step 11

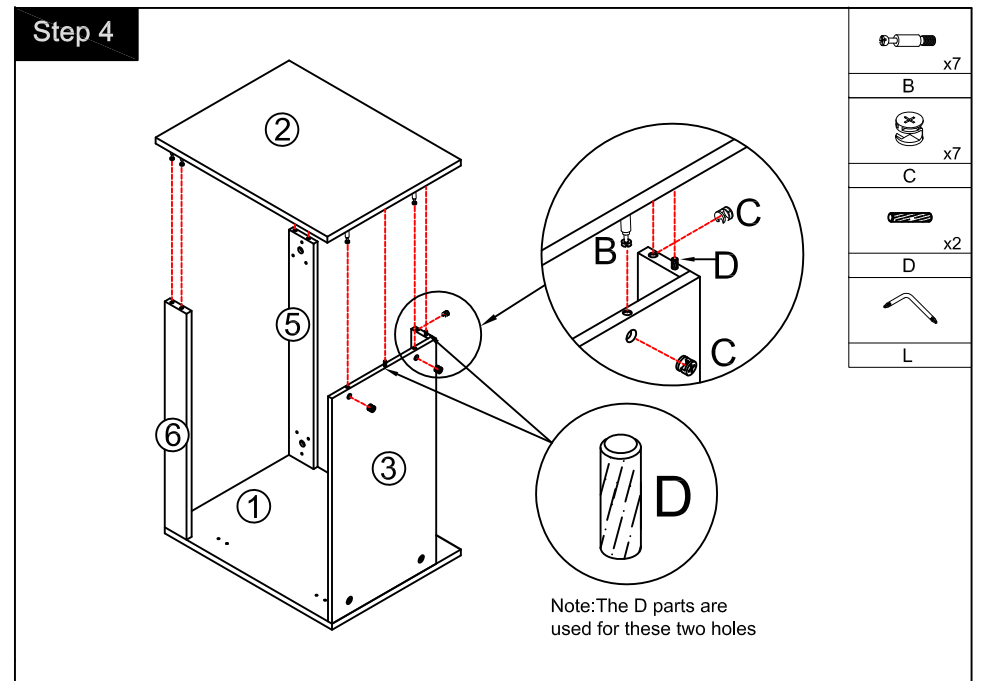
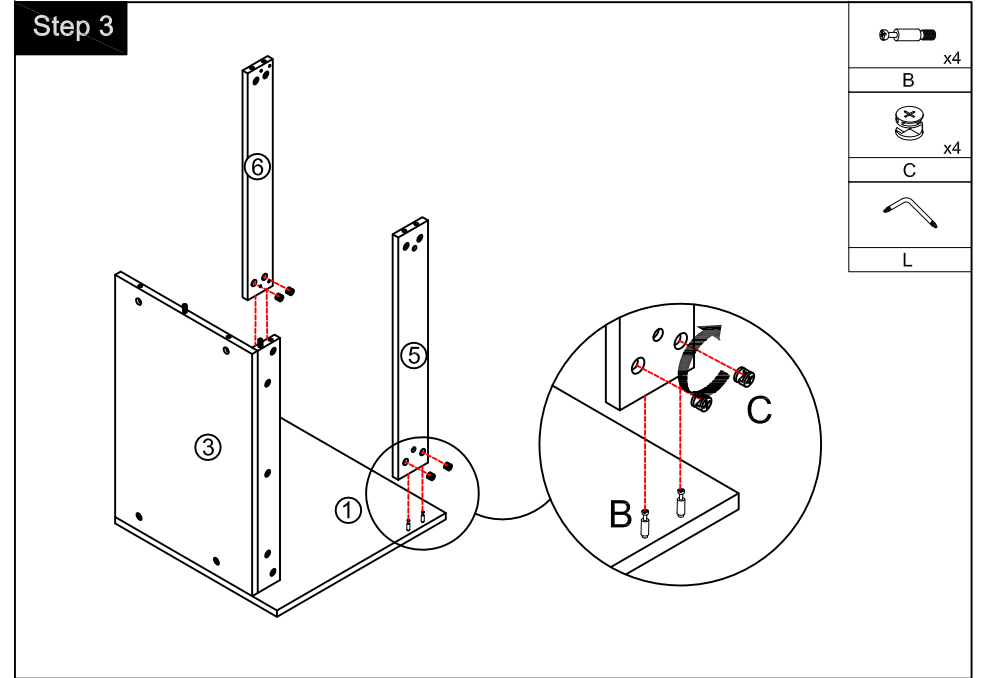
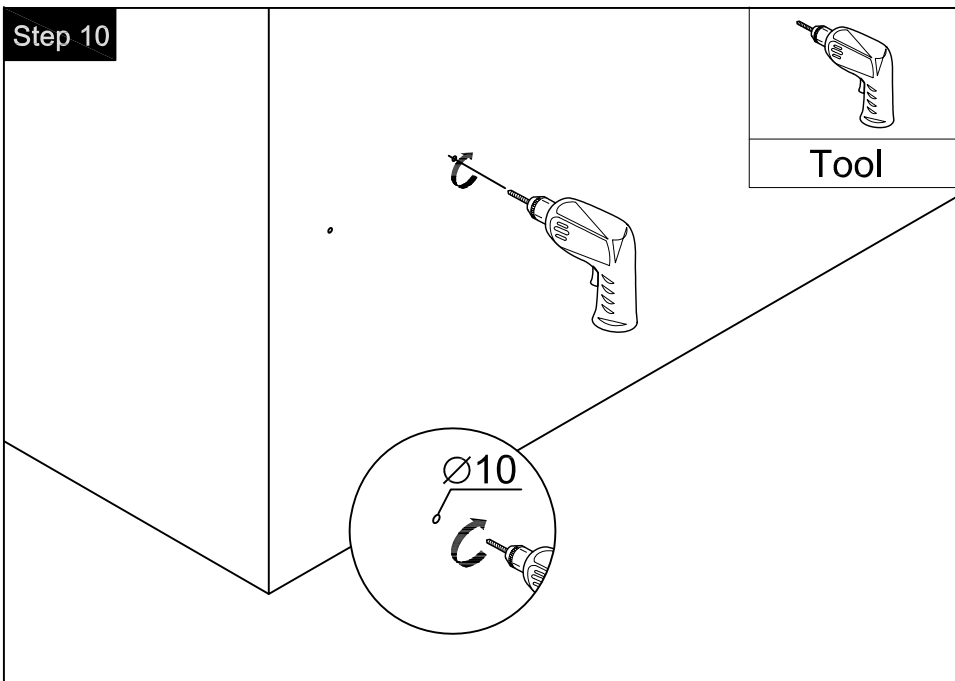
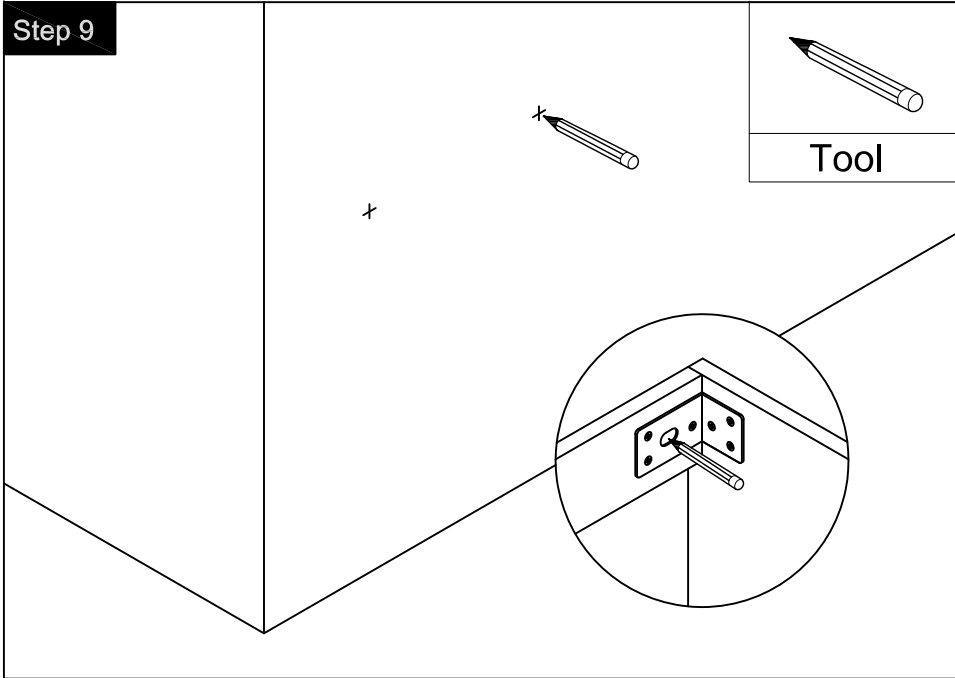
-  x2
- E**
- 
- Tool**



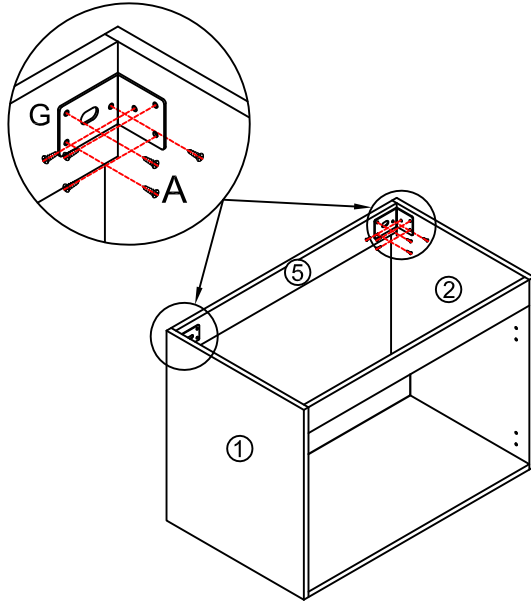
Step 12




-  x2
- F**
- 
- Tool**



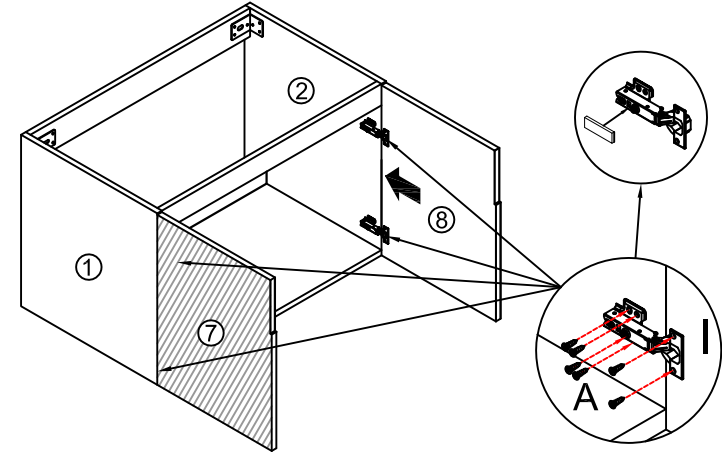


Step 5

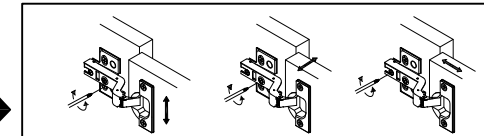



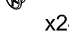

| | |
|--|-----|
|  | x2 |
| G | |
| (∅4 x 14mm) | |
|  | x12 |
| A | |
|  | |
| Tool | |

Step 7

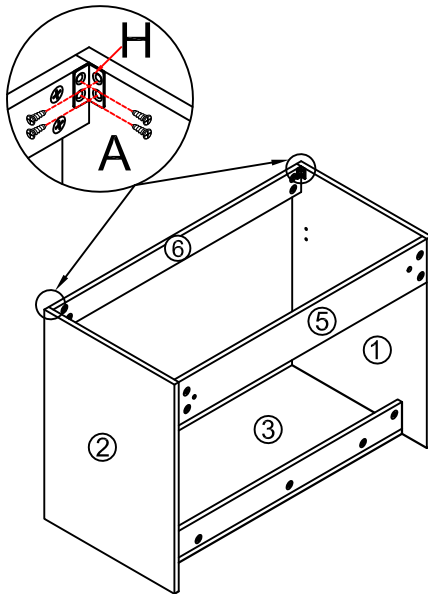





You can adjust the doors by tightening or loosening the screws on the hinge. →



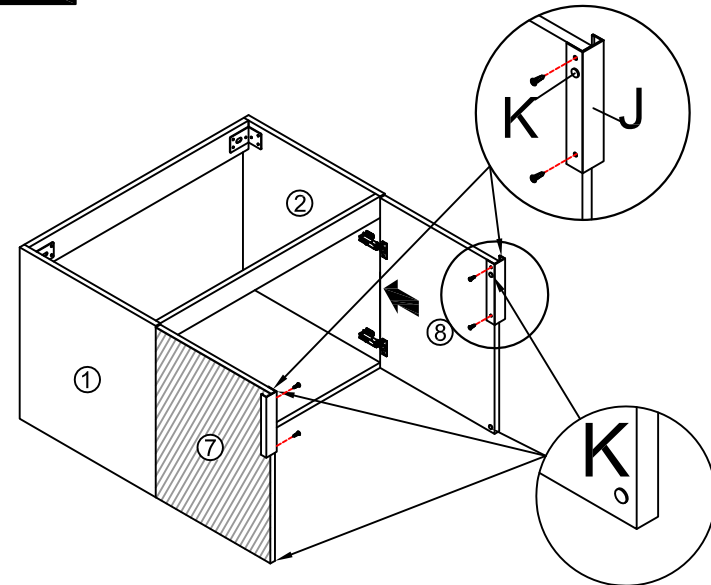
| | |
|---|-----|
|  | x4 |
| I | |
| (∅4 x 14mm) | |
|  | x24 |
| A | |
|  | |
| Tool | |

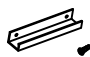


Step 6



| | |
|--|----|
|  | x2 |
| H | |
| (∅4 x 14mm) | |
|  | x8 |
| A | |
|  | |
| Tool | |

Step 8



| | |
|---|----|
|  | |
| J | |
|  | x4 |
| K | |
|  | |
| Tool | |