

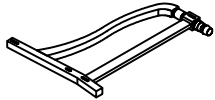
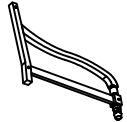
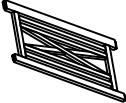
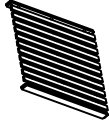



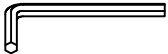
CARE AND MAINTENANCE

Store outdoor furniture indoors or cover well when it is not in use.
Dust regularly with small brush or vacuum. Spills should be taken care of immediately before they harden or stain with a slightly dampened sponge.

NOTICE

Please make sure that you have all parts indicated before you begin assembly of this item.

Part List and Hardware List

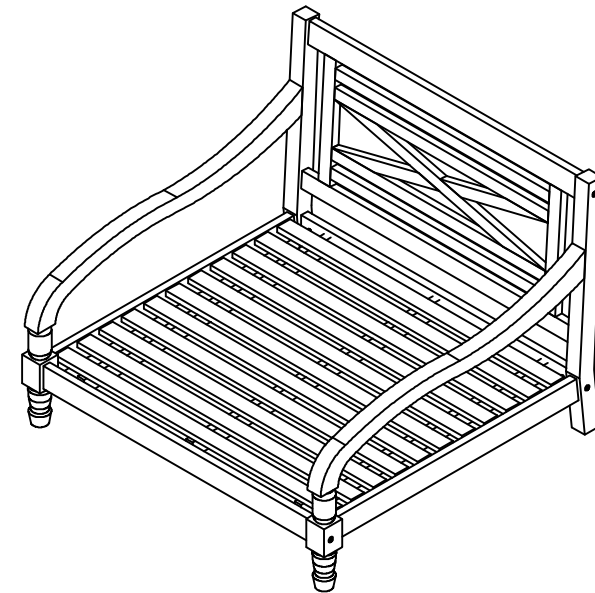
PIECE	DESCRIPTION	PICTURE	QUANTITY
A	Left side		1X
B	Right side		1X
C	Back		1 X
D	Seat		1 X
E1	Allen bolt	 M6x90	2 X
E2	Allen screw	 M6x70	4 X
E3	Bolt extra	 M6x50	1 X
E4	Allen key		1 X

Product Dimension: 35.43"Wx35.43"Dx25.59"H

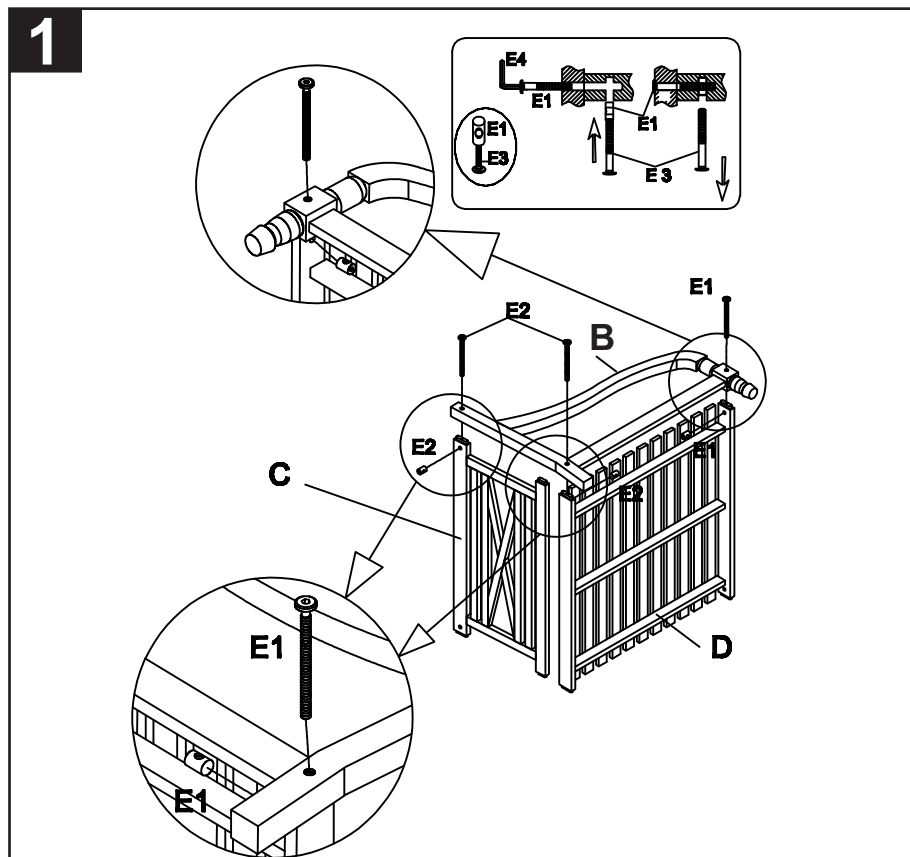
Weight capacity : 300 lbs

Warning : Do not stand on the chair

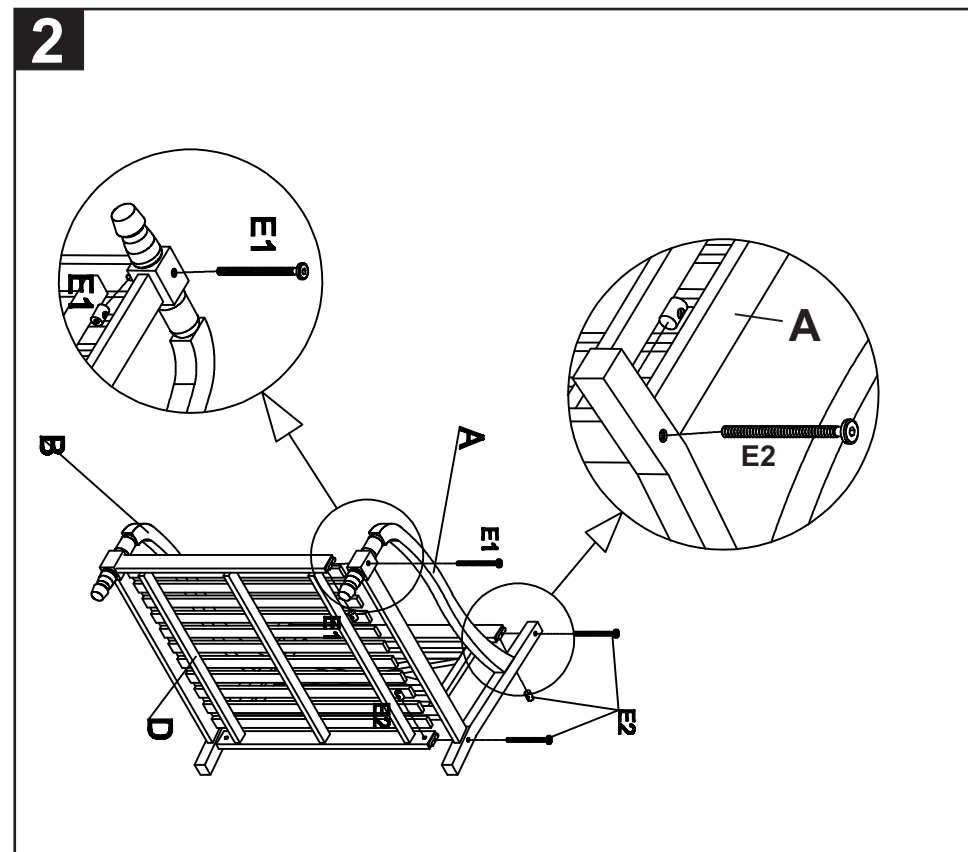
Warning : Do not torque bolts / screws



Before beginning the assembly of the product, make sure all parts are present. Compare the parts with package contents list and hardware contents list. If any parts are missing or damaged, do not attempt to assemble the product. Tool required for assembly (included) : Allen key.



Step1: attach the right side (B) and the back(C) to the seat (D) as shown on the picture by using the Allen bolt (E1) and (E2). Tighten with the Allen key (E4).



Step 2: put the left side (A) to the chair by using the Allen bolts (E1) and (E2) as shown on the picture. Tighten all with the Allen key (E4).