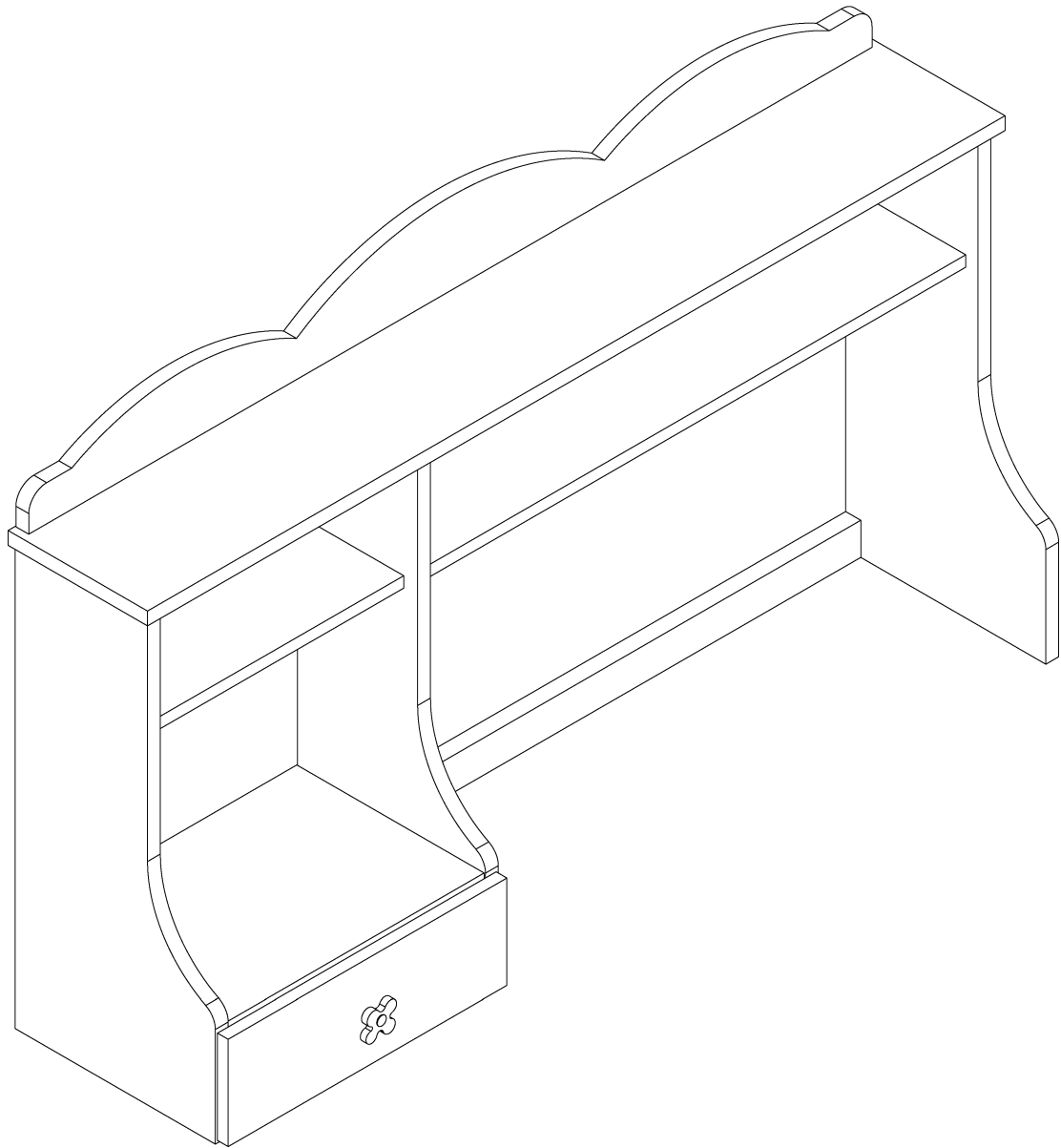
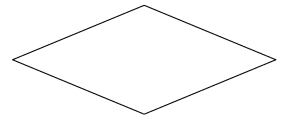
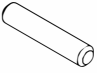
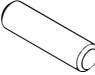
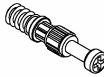








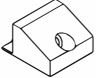
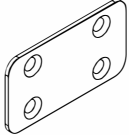

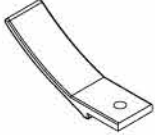



ASSEMBLY INSTRUCTION



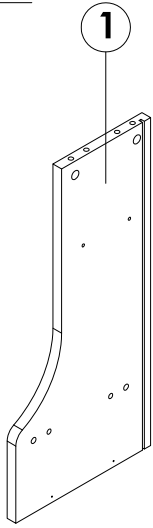
HARDWARE LIST

A 8 PCS  PLASTIC DOWEL (M6 x 30MM)	B 19 PCS  PLASTIC DOWEL (M8 x 30MM)	C 22 PCS  CONNECTING BOLT (24MM)
D 2 PCS  MINIFIX (9MM)	E 20 PCS  MINIFIX (12MM)	F 6 PCS  CSK C/B SCREW (M3 x 20MM)
G 9 PCS  CSK C/B SCREW (M3.5 x 16MM)	H 6 PCS  CSK C/B SCREW (M4 x 32MM)	J 2 PCS  P/H C/B SCREW (M3.5 x 16MM)
K 1 PC  P/H M SCREW (M4 x 20MM)	L 22 PCS  EURO NYLON	M 6 PCS  PLASTIC CORNER BLOCK (ABS)
N 2 PCS  BED BRACKET (30 x 55 x T1.5MM)	P 4 PCS  METAL SHELF SUPPORT 010	Q 1 PC  PLASTIC DRAWER STOPPER
R 1 PC  HANDLE 8121		

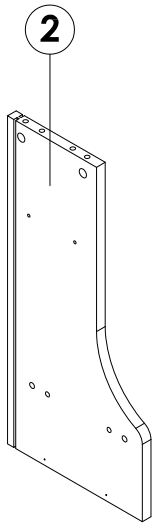


Do not recommend the use of power drills/drivers for inserting bolts/screws as this could damage the unit.
Tools Required :
Crosshead Screw Driver

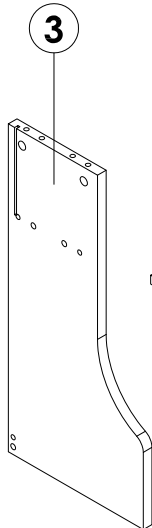
PART LIST



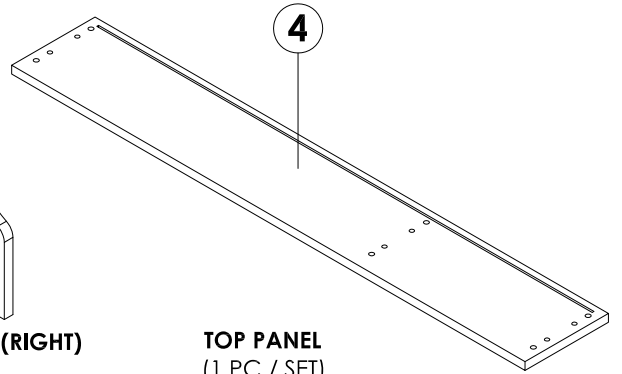
SIDE PANEL (LEFT)
(1 PC / SET)
CARTON 1 OF 1



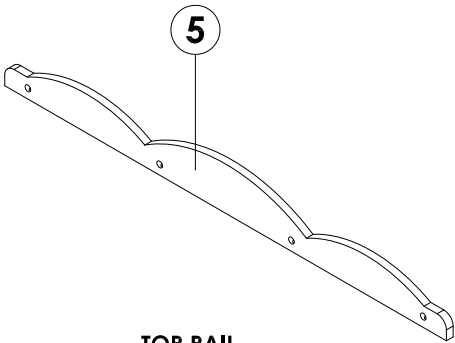
SIDE PANEL (CENTER)
(1 PC / SET)
CARTON 1 OF 1



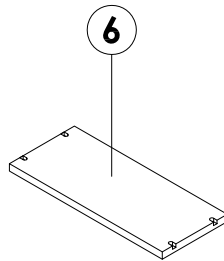
SIDE PANEL (RIGHT)
(1 PC / SET)
CARTON 1 OF 1



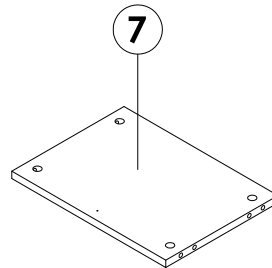
TOP PANEL
(1 PC / SET)
CARTON 1 OF 1



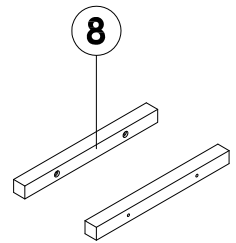
TOP RAIL
(1 PC / SET)
CARTON 1 OF 1



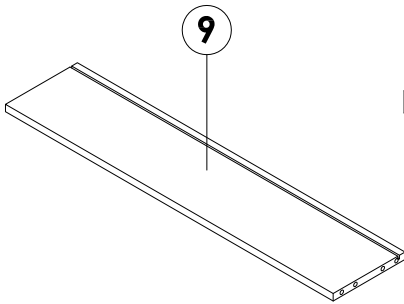
TOP SHELF (LEFT)
(1 PC / SET)
CARTON 1 OF 1



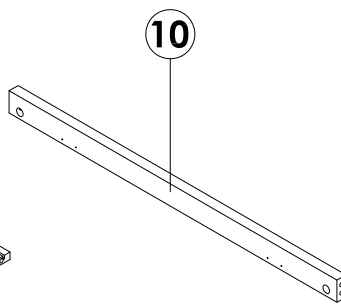
BOTTOM SHELF (LEFT)
(1 PC / SET)
CARTON 1 OF 1



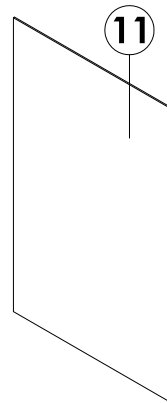
DRAWER SUPPORT
(2 PCS / SET)
CARTON 1 OF 1



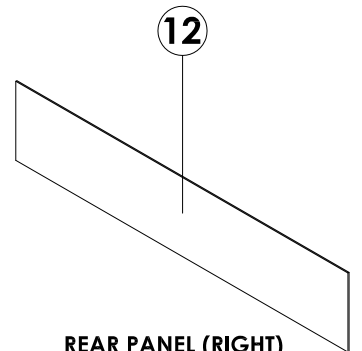
TOP SHELF (RIGHT)
(1 PC / SET)
CARTON 1 OF 1



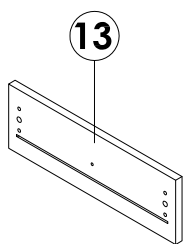
BOTTOM RAIL (RIGHT)
(1 PC / SET)
CARTON 1 OF 1



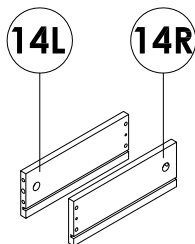
REAR PANEL (LEFT)
(1 PC / SET)
CARTON 1 OF 1



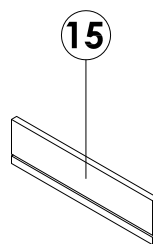
REAR PANEL (RIGHT)
(1 PC / SET)
CARTON 1 OF 1



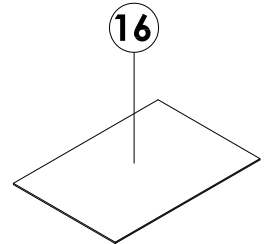
DRAWER FACE
(1 PC / SET)
CARTON 1 OF 1



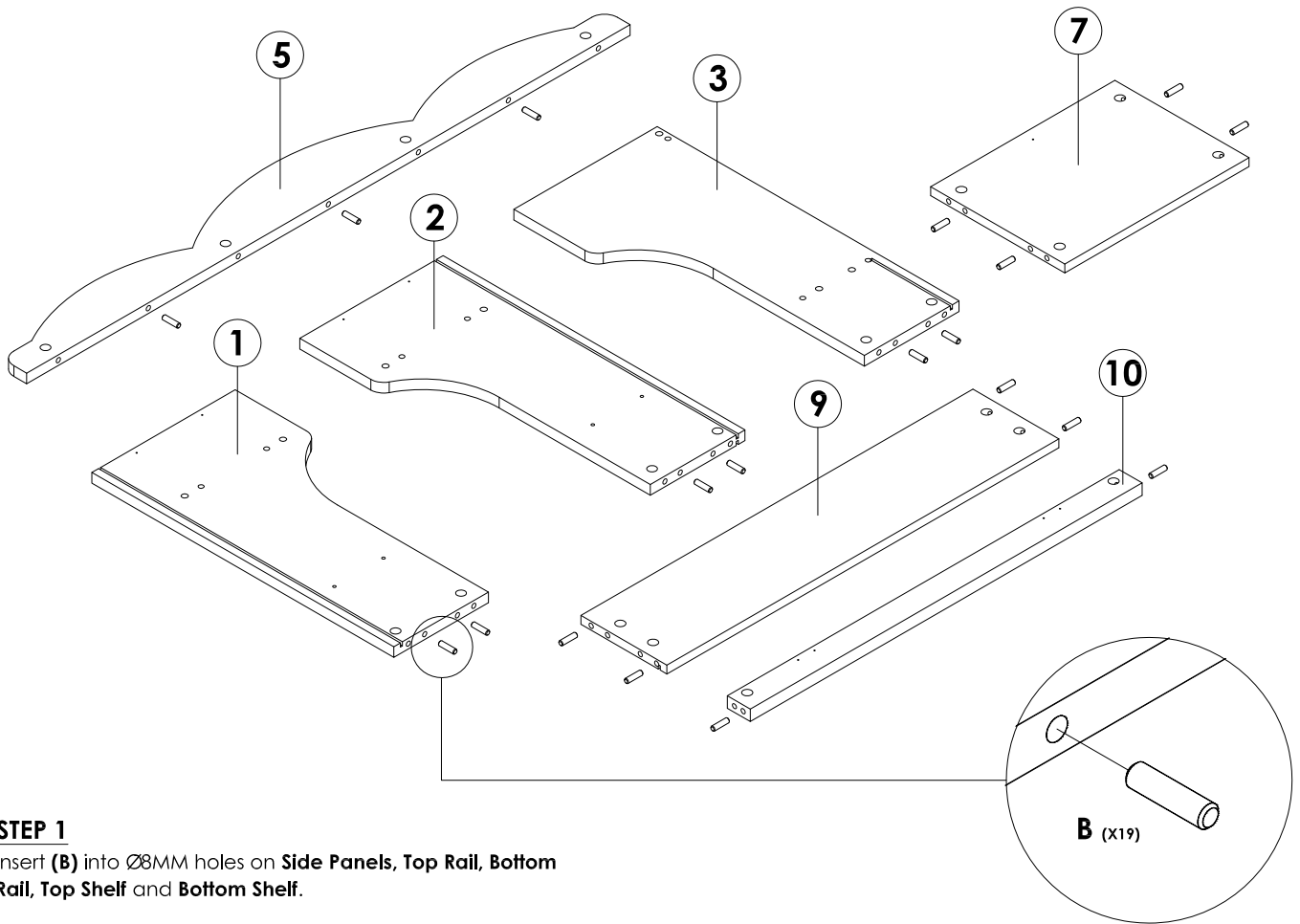
DRAWER SIDE (L&R)
(2 PCS / SET)
CARTON 1 OF 1



DRAWER REAR
(1 PC / SET)
CARTON 1 OF 1

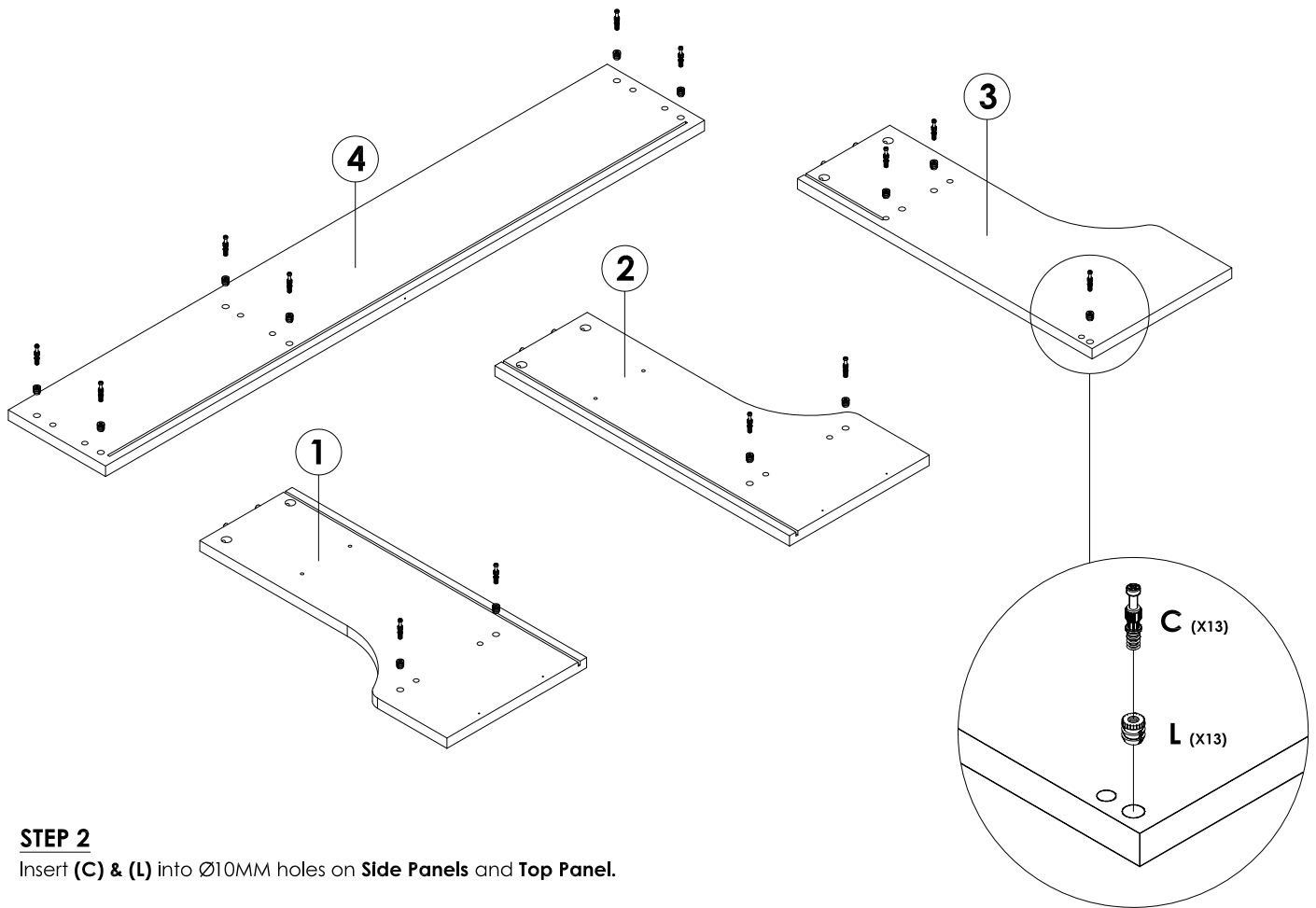


DRAWER BASE
(1 PC / SET)
CARTON 1 OF 1



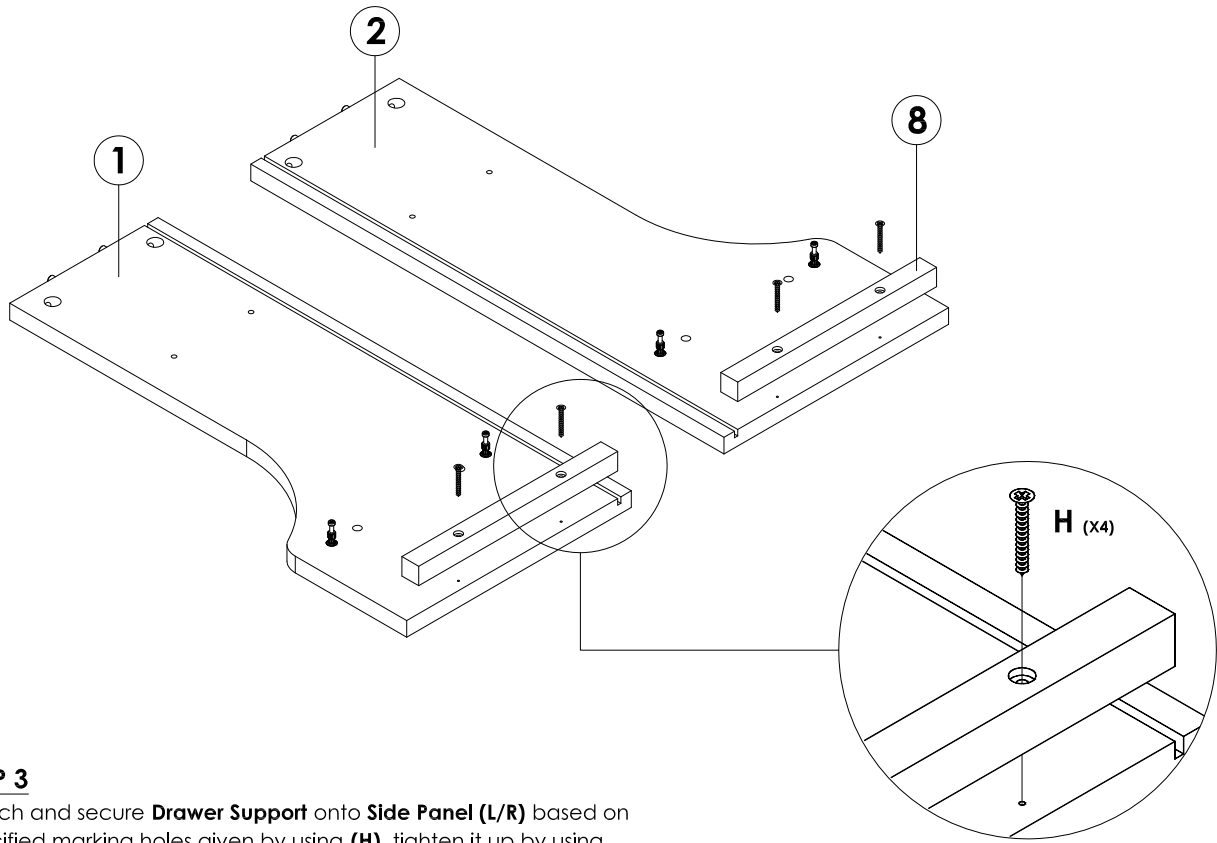
STEP 1

Insert **(B)** into Ø8MM holes on **Side Panels, Top Rail, Bottom Rail, Top Shelf and Bottom Shelf.**



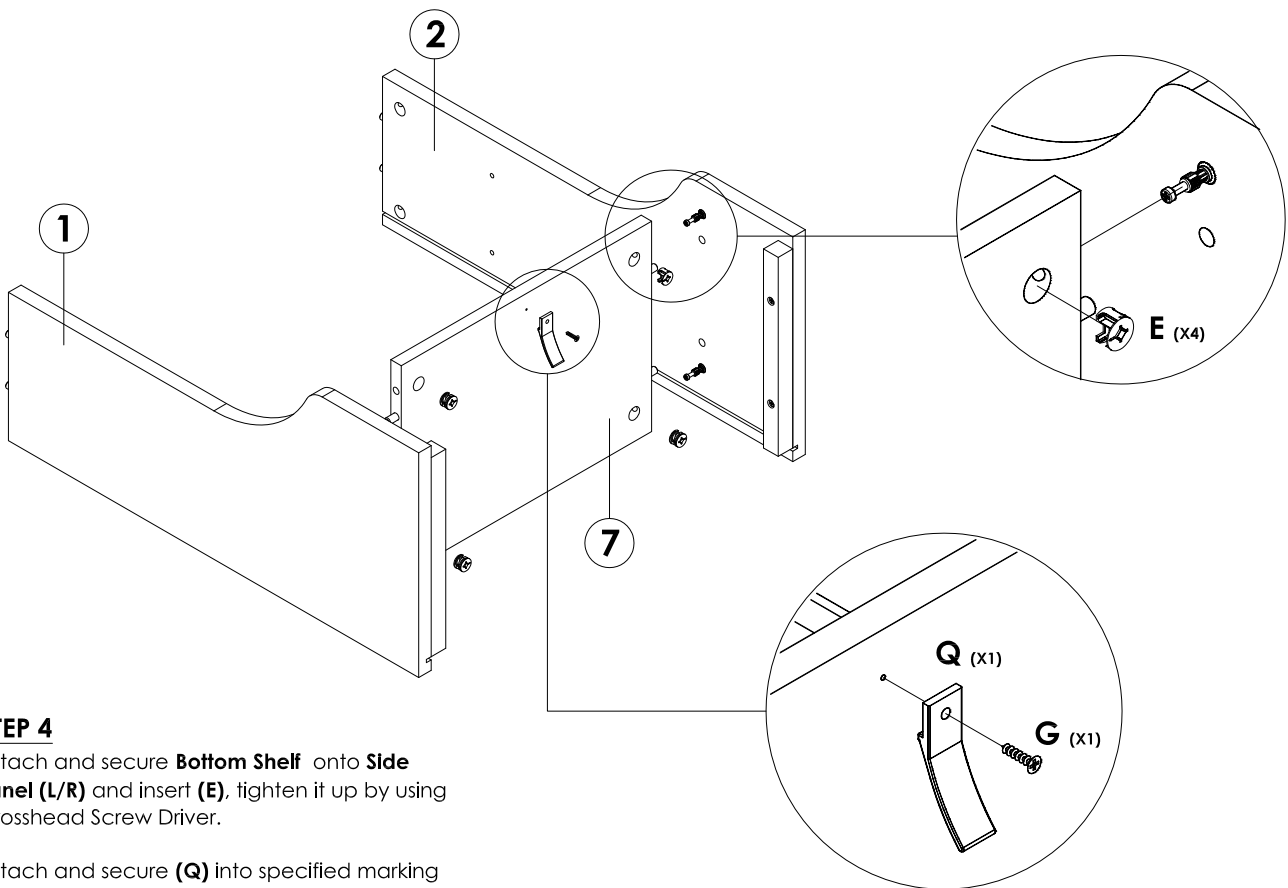
STEP 2

Insert **(C) & (L)** into Ø10MM holes on **Side Panels and Top Panel.**



STEP 3

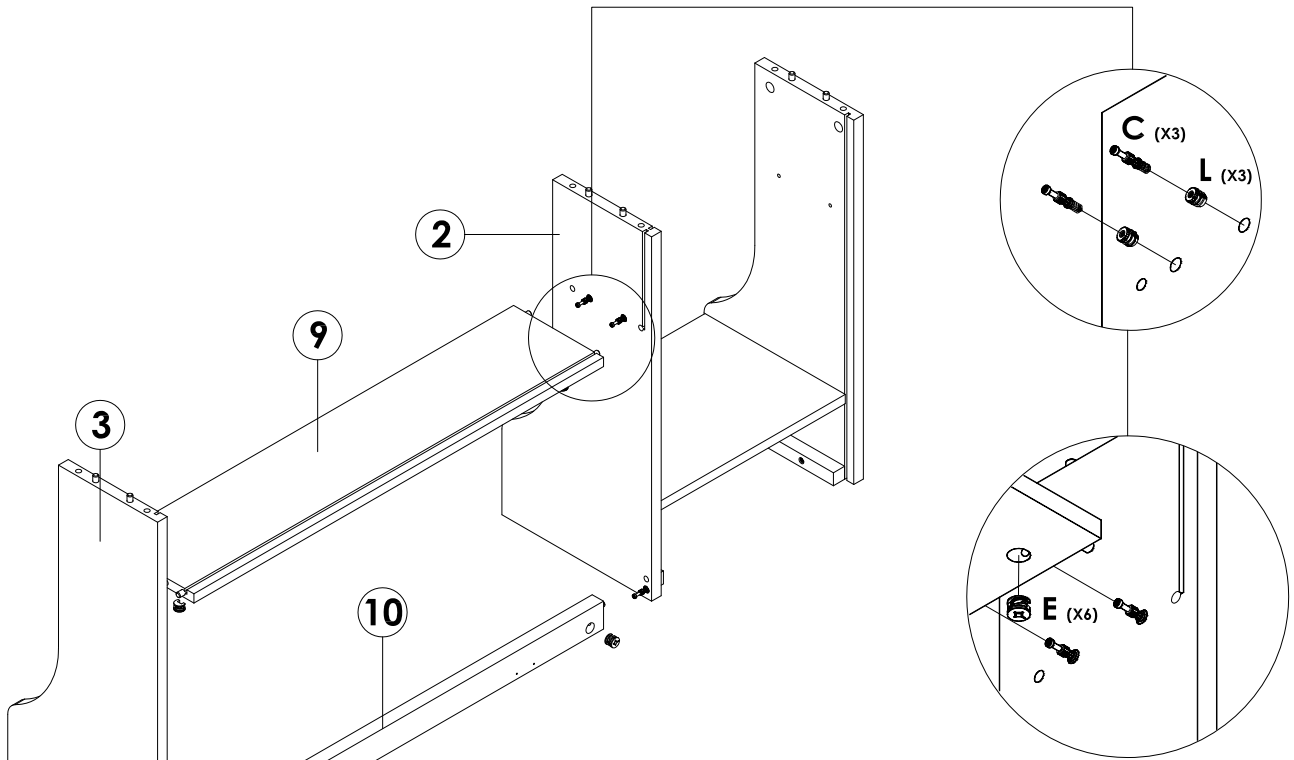
Attach and secure **Drawer Support** onto **Side Panel (L/R)** based on specified marking holes given by using **(H)**, tighten it up by using Crosshead Screw Driver.



STEP 4

Attach and secure **Bottom Shelf** onto **Side Panel (L/R)** and insert **(E)**, tighten it up by using Crosshead Screw Driver.

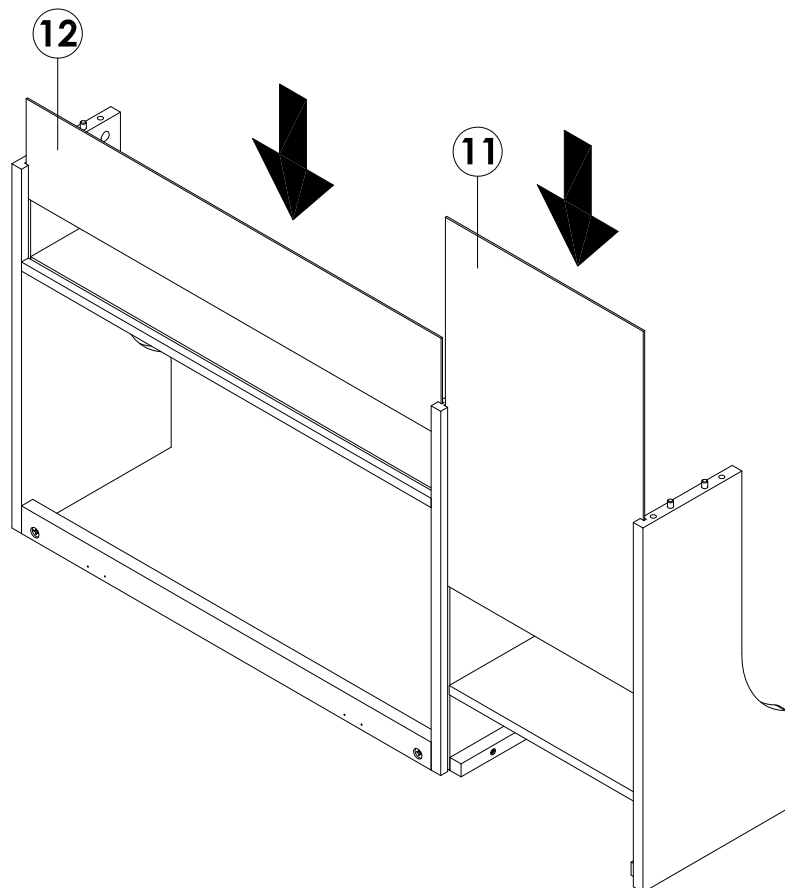
Attach and secure **(Q)** into specified marking hole by screwing **(G)**, tighten it up using Crosshead Screw Driver.



STEP 5

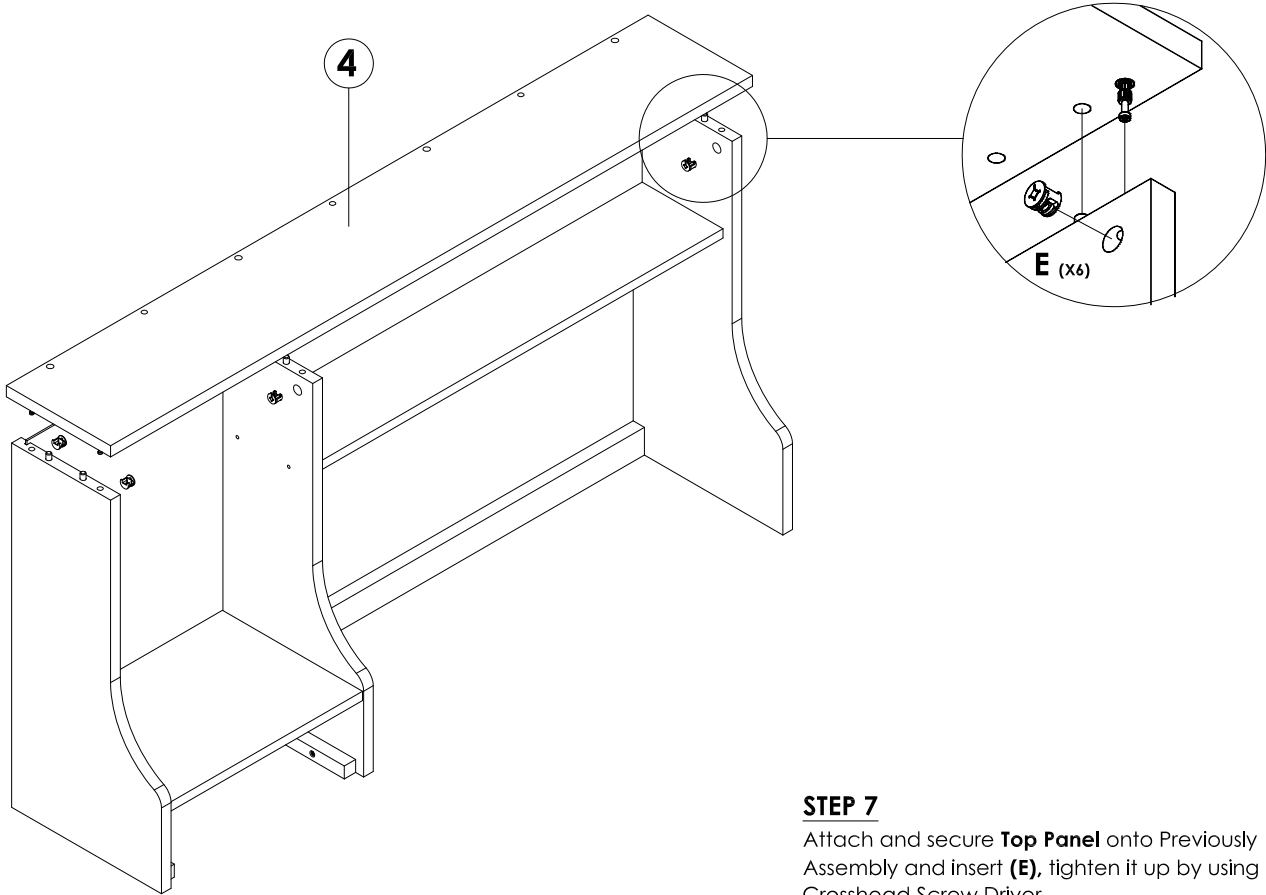
Insert **(C)** & **(L)** into $\varnothing 10\text{mm}$ holes on **Side Panel (Center)**.

Attach and secure **Top shelf** and **Bottom Rail** onto **Side Panels** and insert **(E)**, tighten it up by using Crosshead Screw Driver.



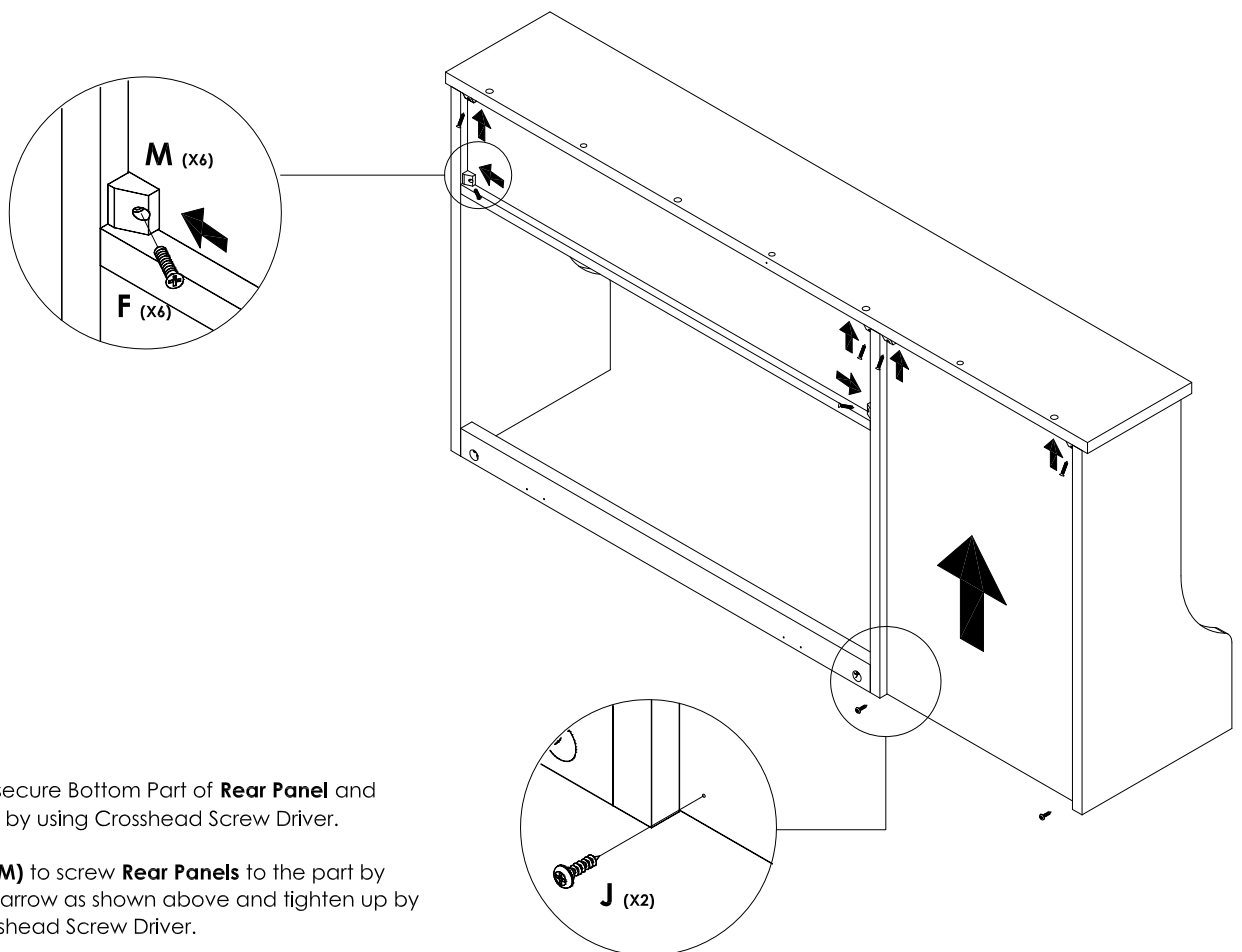
STEP 6

Slot **Rear Panels** into **Side Panels** with groove provided.



STEP 7

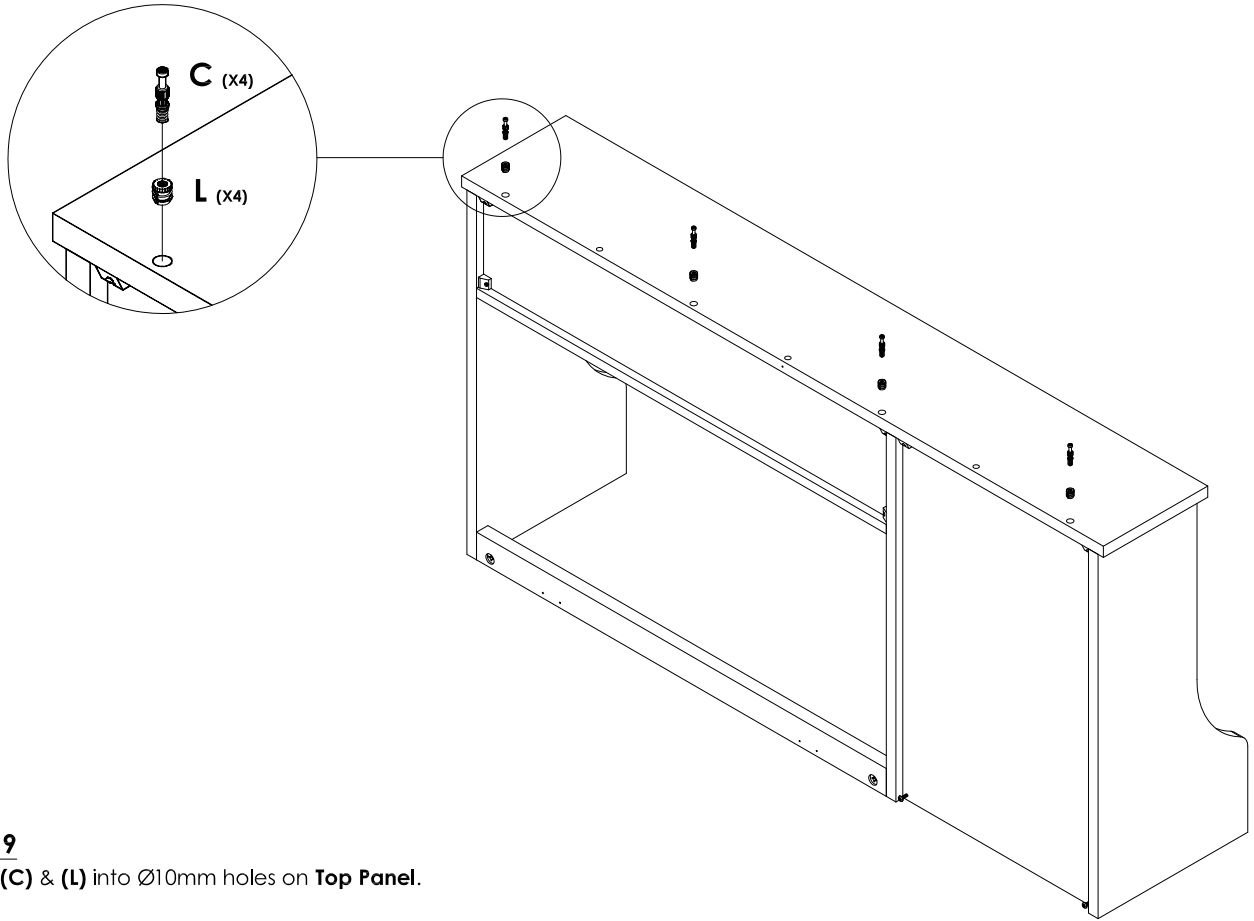
Attach and secure **Top Panel** onto Previously Assembly and insert **(E)**, tighten it up by using Crosshead Screw Driver.



STEP 8

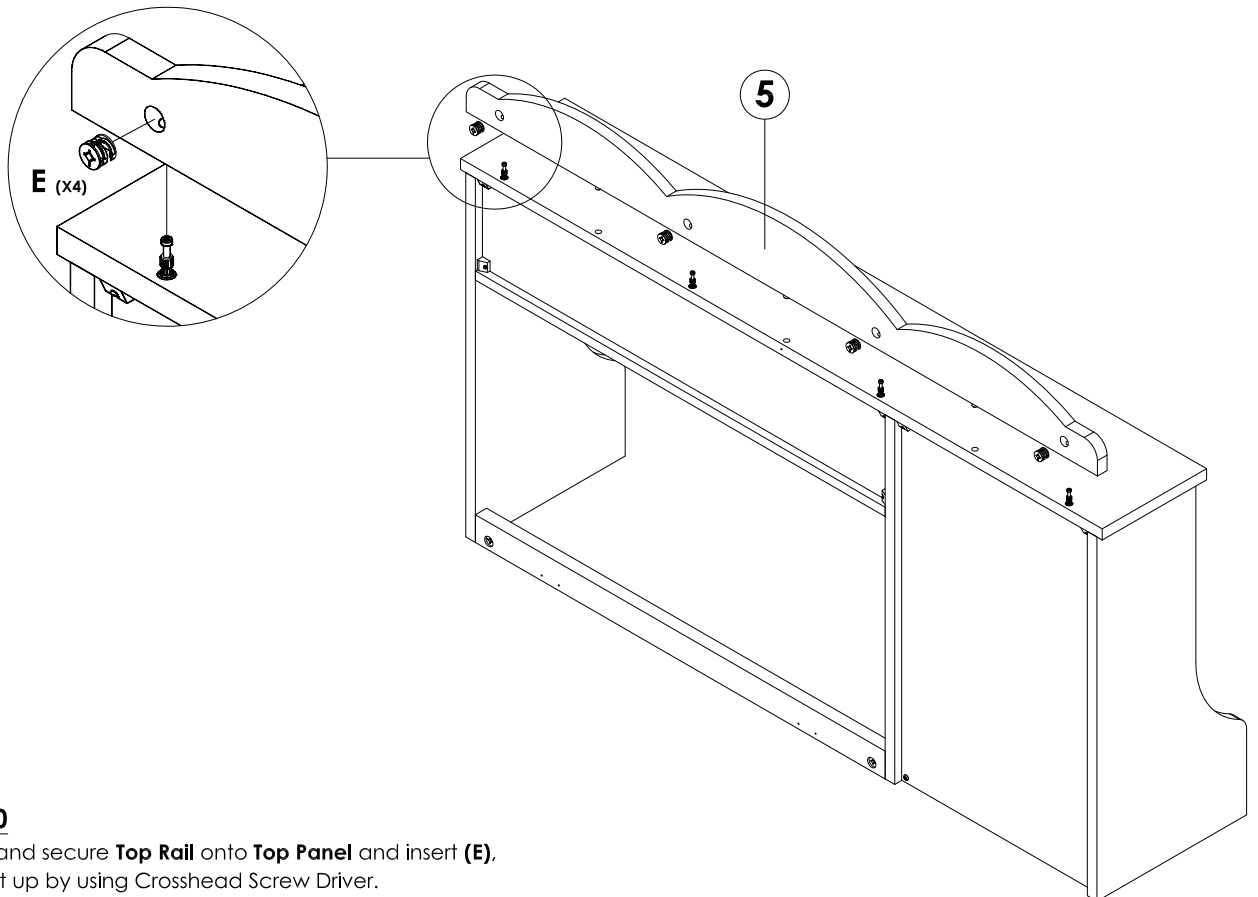
Use **(J)** to secure Bottom Part of **Rear Panel** and tighten up by using Crosshead Screw Driver.

Use **(F)** & **(M)** to screw **Rear Panels** to the part by follow the arrow as shown above and tighten up by using Crosshead Screw Driver.



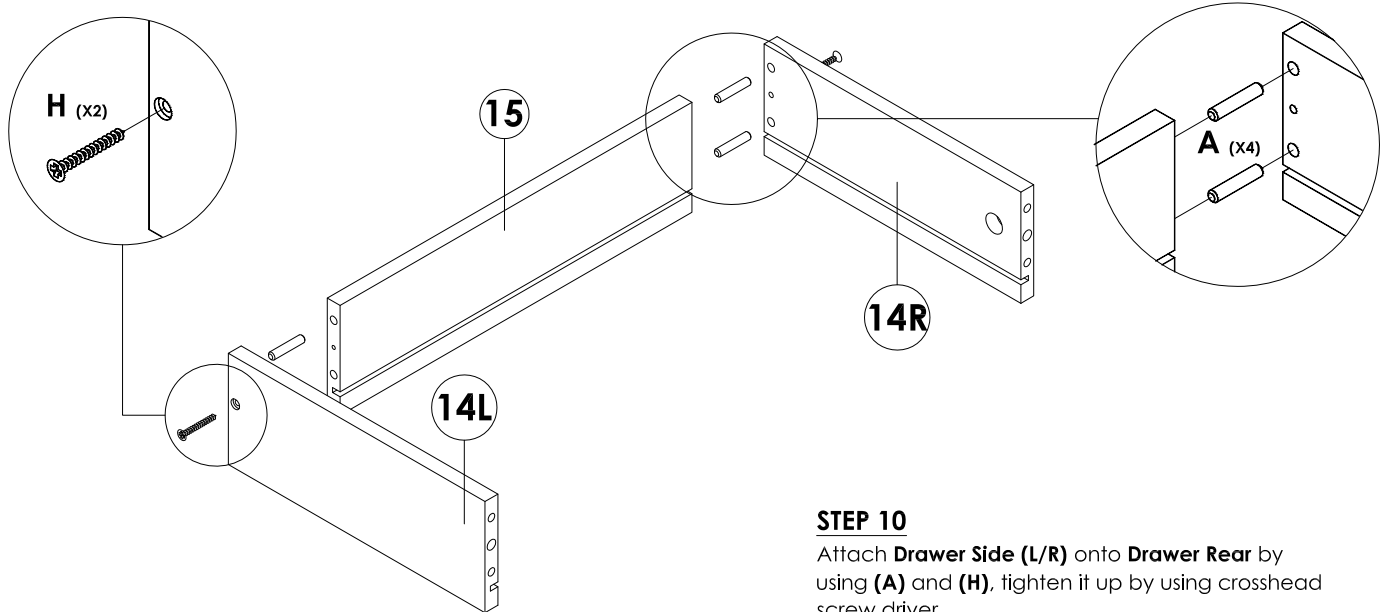
STEP 9

Insert **(C)** & **(L)** into $\varnothing 10\text{mm}$ holes on **Top Panel**.



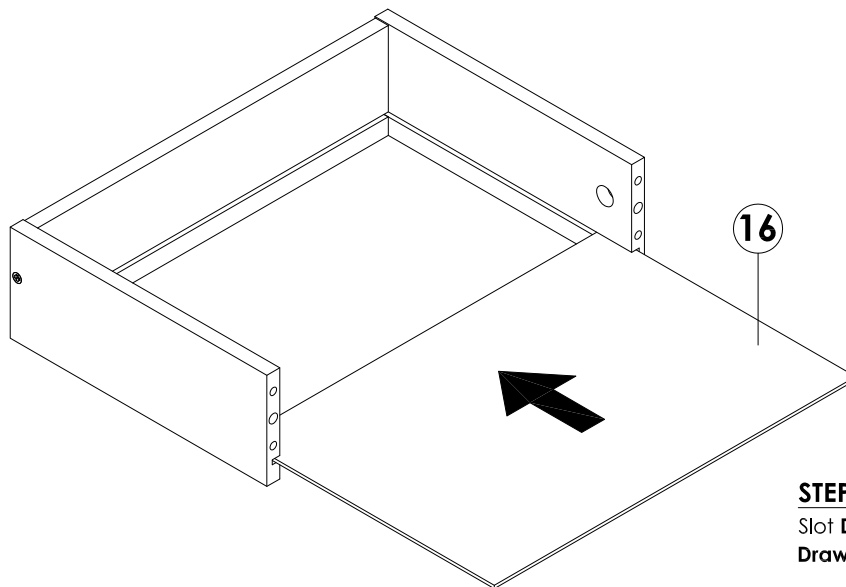
STEP 10

Attach and secure **Top Rail** onto **Top Panel** and insert **(E)**, tighten it up by using Crosshead Screw Driver.



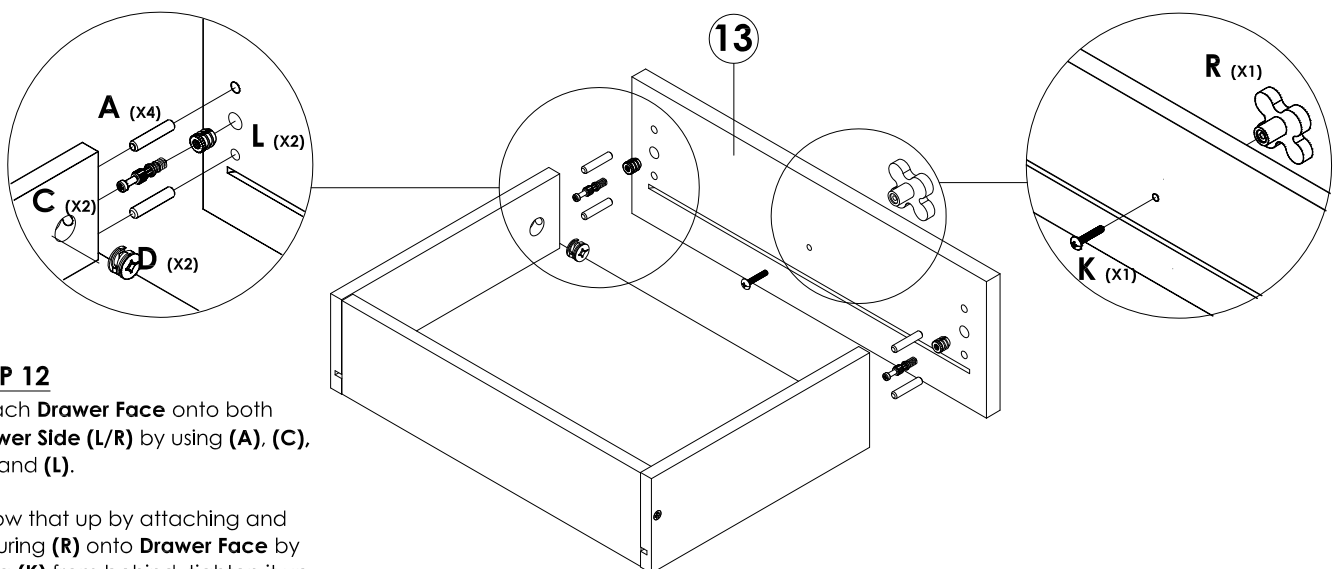
STEP 10

Attach **Drawer Side (L/R)** onto **Drawer Rear** by using **(A)** and **(H)**, tighten it up by using crosshead screw driver.



STEP 11

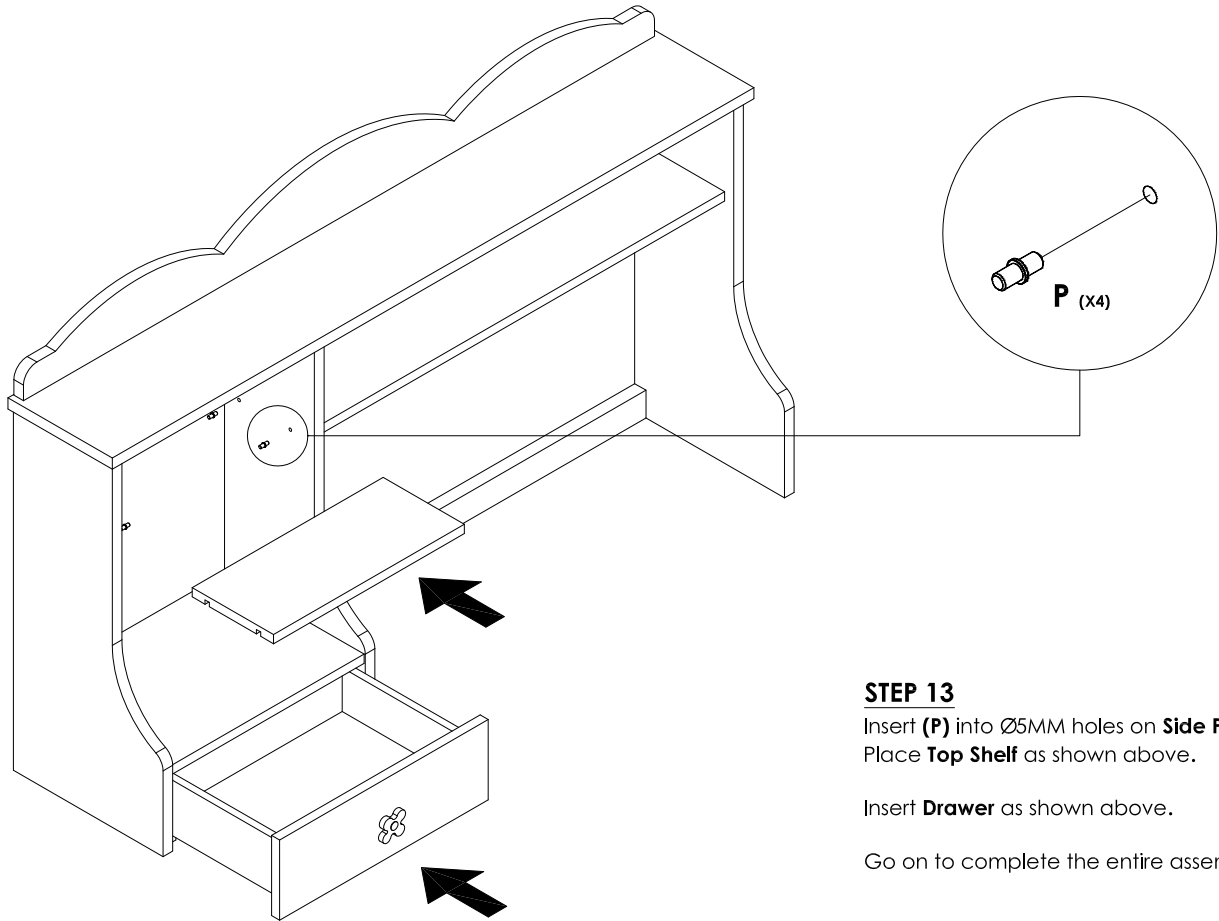
Slot **Drawer Base** into **Drawer Side (L/R)**.



STEP 12

Attach **Drawer Face** onto both **Drawer Side (L/R)** by using **(A)**, **(C)**, **(D)** and **(L)**.

Follow that up by attaching and securing **(R)** onto **Drawer Face** by using **(K)** from behind, tighten it up by using Crosshead Screw Driver.

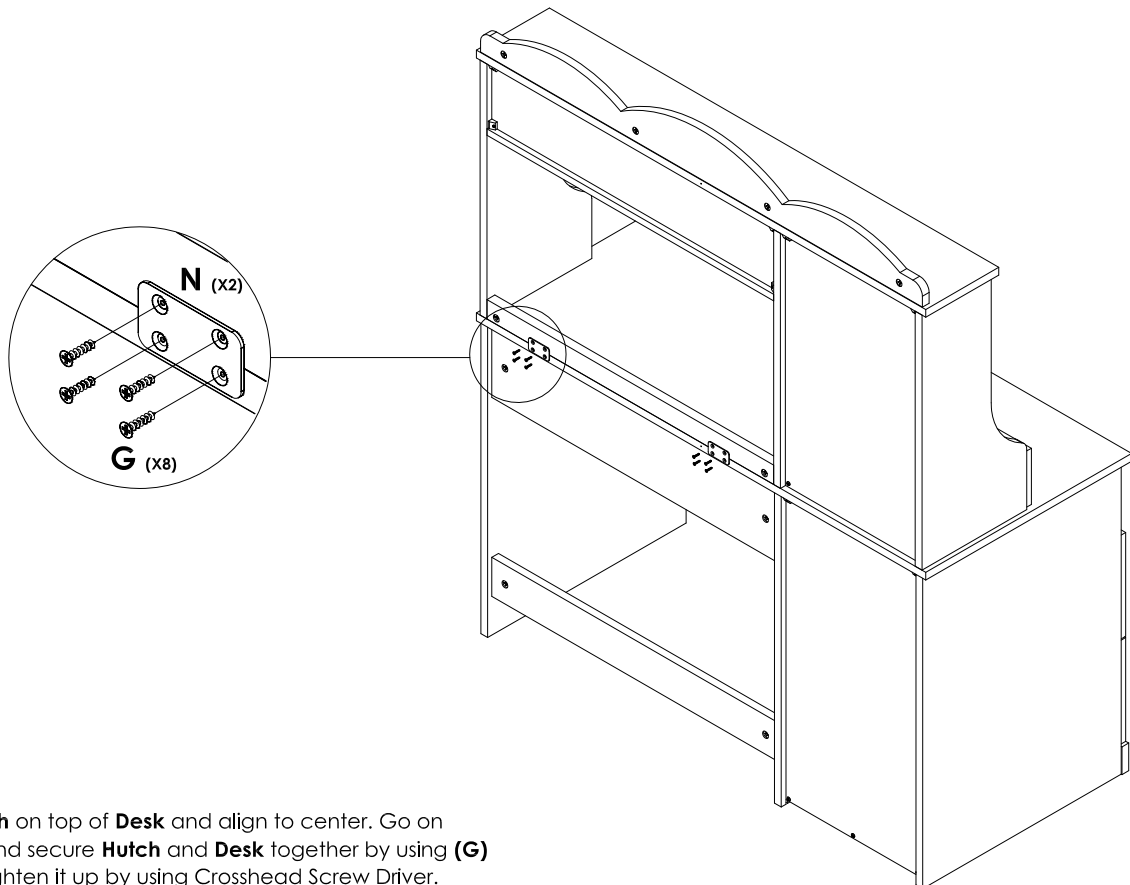


STEP 13

Insert **(P)** into Ø5MM holes on **Side Panels**.
Place **Top Shelf** as shown above.

Insert **Drawer** as shown above.

Go on to complete the entire assembly.



STEP 14

Place **Hutch** on top of **Desk** and align to center. Go on connect and secure **Hutch** and **Desk** together by using **(G)** and **(N)**, tighten it up by using Crosshead Screw Driver.

Go on to complete the entire assembly.

WARNING

Injury may result from tipping furniture

This restraint is not a substitute for proper adult supervision.
This restraint may provide protection against tipping furniture.
Do not allow children to climb on furniture.

Failure to detach this restraint before moving furniture may result in injury and damage.

THIS BAG IS NOT A TOY

"WARNING - TO AVOID DANGER OF SUFFOCATION, KEEP THIS BAG AWAY FROM BABIES AND SMALL CHILDREN. DO NOT USE IN CRIBS, BEDS, CARRIAGES OR PLAY PENS. THIS BAG IS NOT A TOY."

KNOT BAG BEFORE THROWING AWAY.

ANTI TIPING KIT INSTALLATION INSTRUCTIONS

1. Attach the bracket to the back top rail of the furniture using the 18mm screw provided through the small hole.
2. Locate the other bracket on the wall 50mm below the bracket on the unit. Care should be taken to ensure that this is securely fastened to the wall. The best method of fixing will depend upon the construction of the wall. Please note we do not supply fittings for this purpose as the type of fixing required will vary depending upon your wall.
3. Place the furniture into position so both mounting brackets are vertically in line.
4. Lace the end of the restraint strap through the larger hole in each mounting bracket. Bring both ends together and slide the flat end through the locking end and draw it through until all slack is removed.
5. Confirm that the strap is securely laced and locked.

