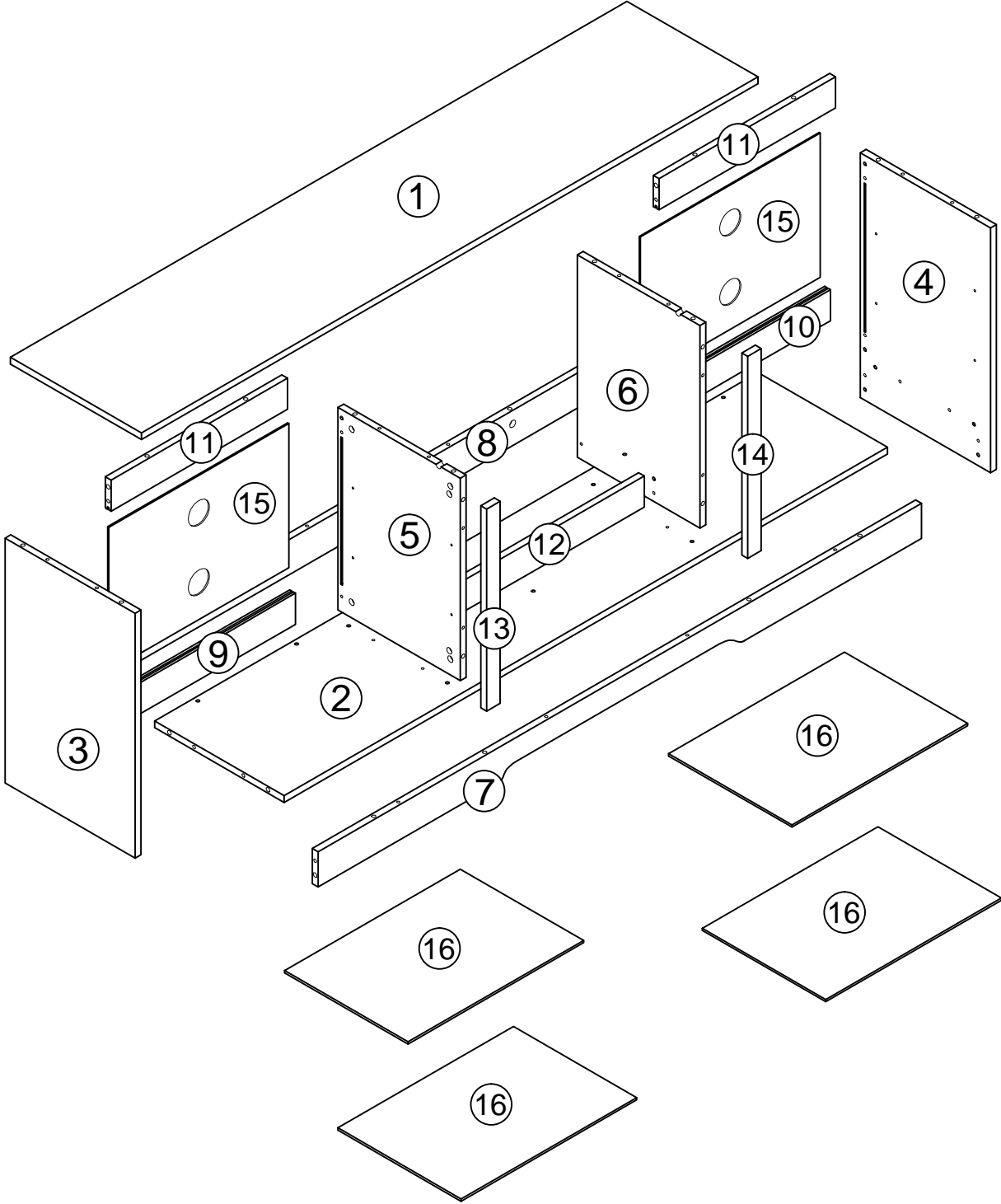
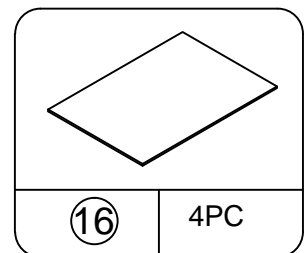
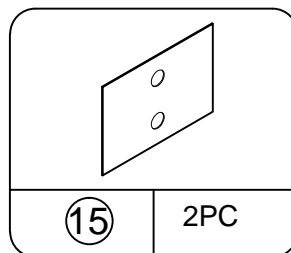
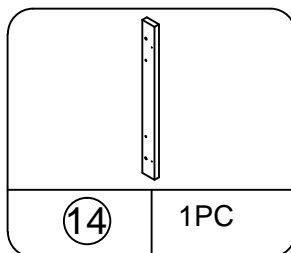
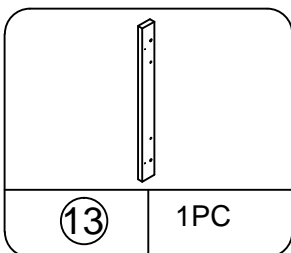
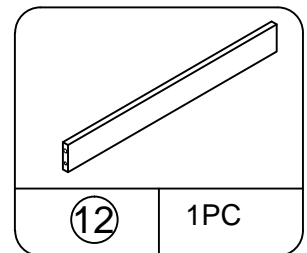
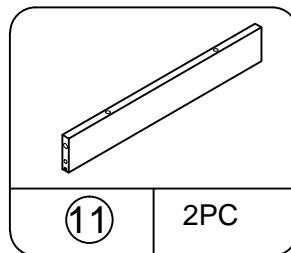
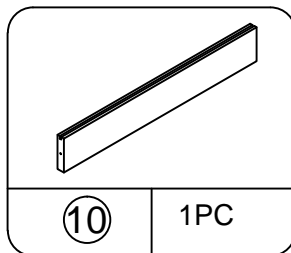
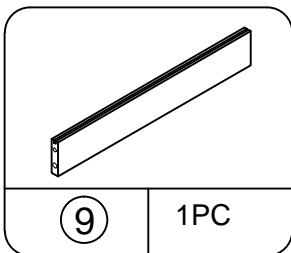
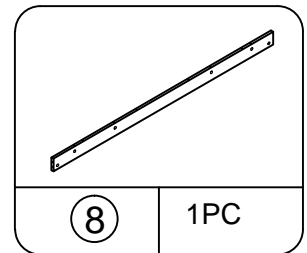
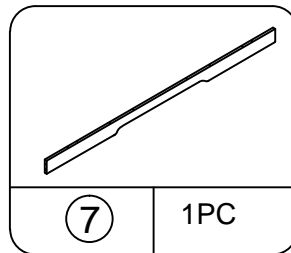
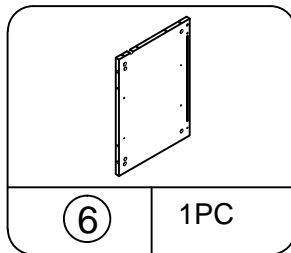
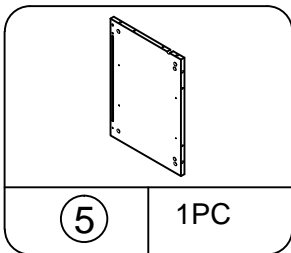
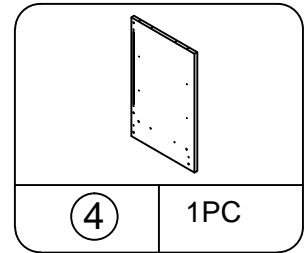
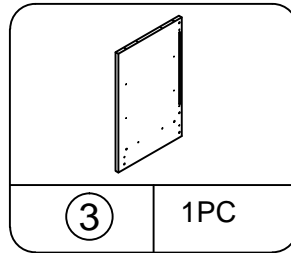
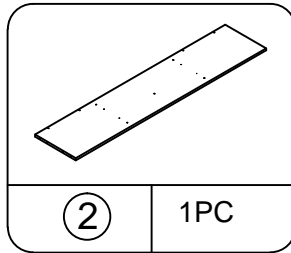
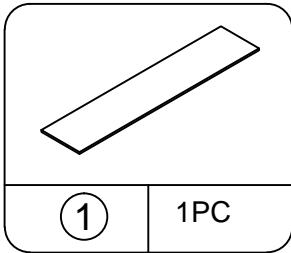


# Boad Identification

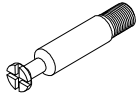


# Parts List



# Hardware List

Ø6×35mm



A

49+3

Ø15×12mm



B

49+3

Ø6×30mm



C

40+3

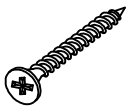
Ø3.5×14mm



D

20+2

Ø4×30mm



E

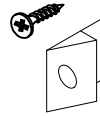
2



F

49

Ø3×16mm



G

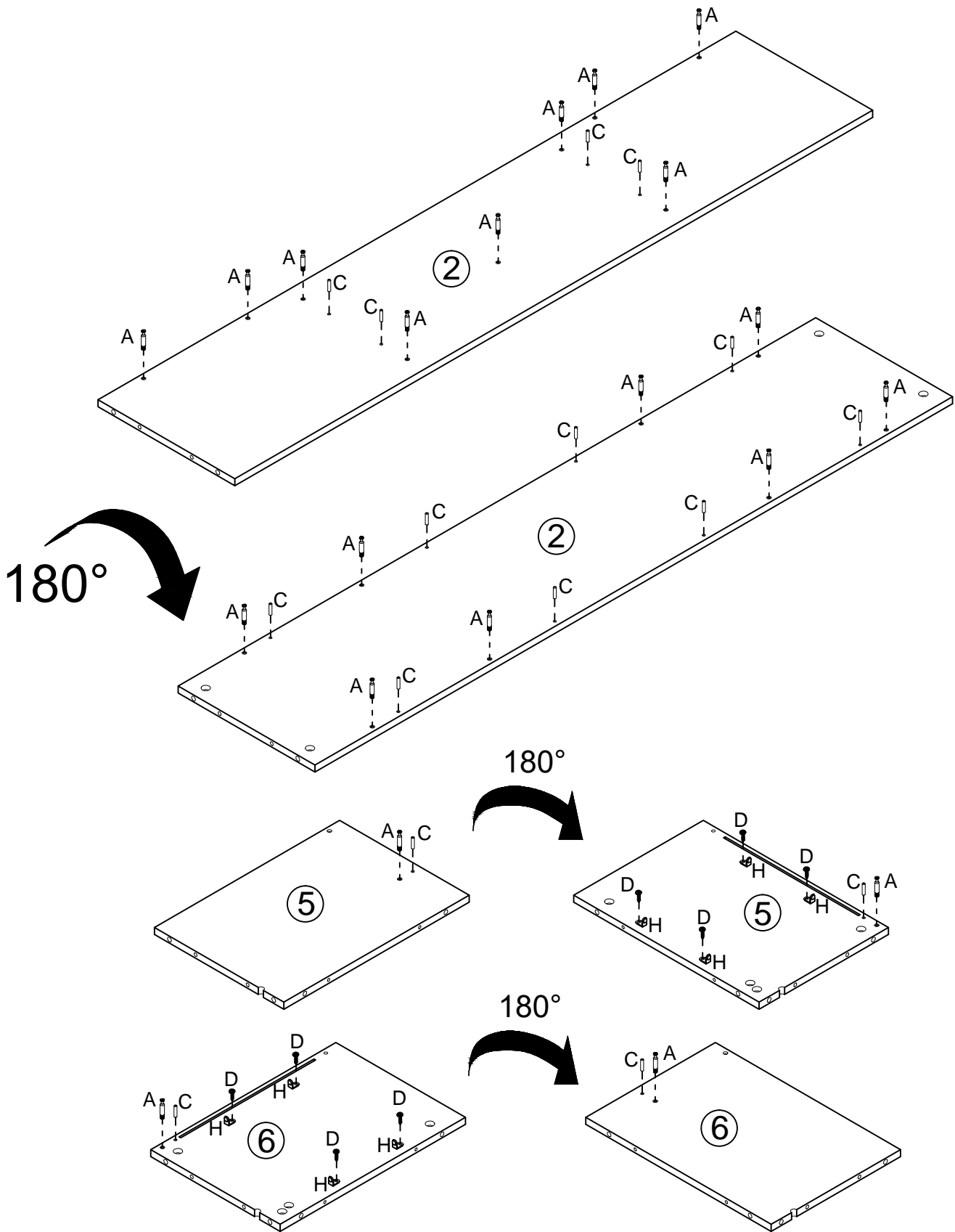
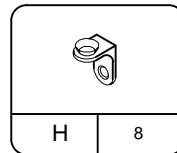
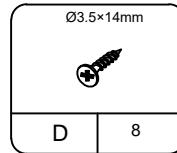
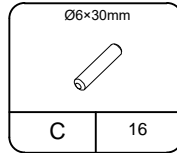
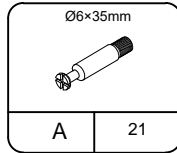
8



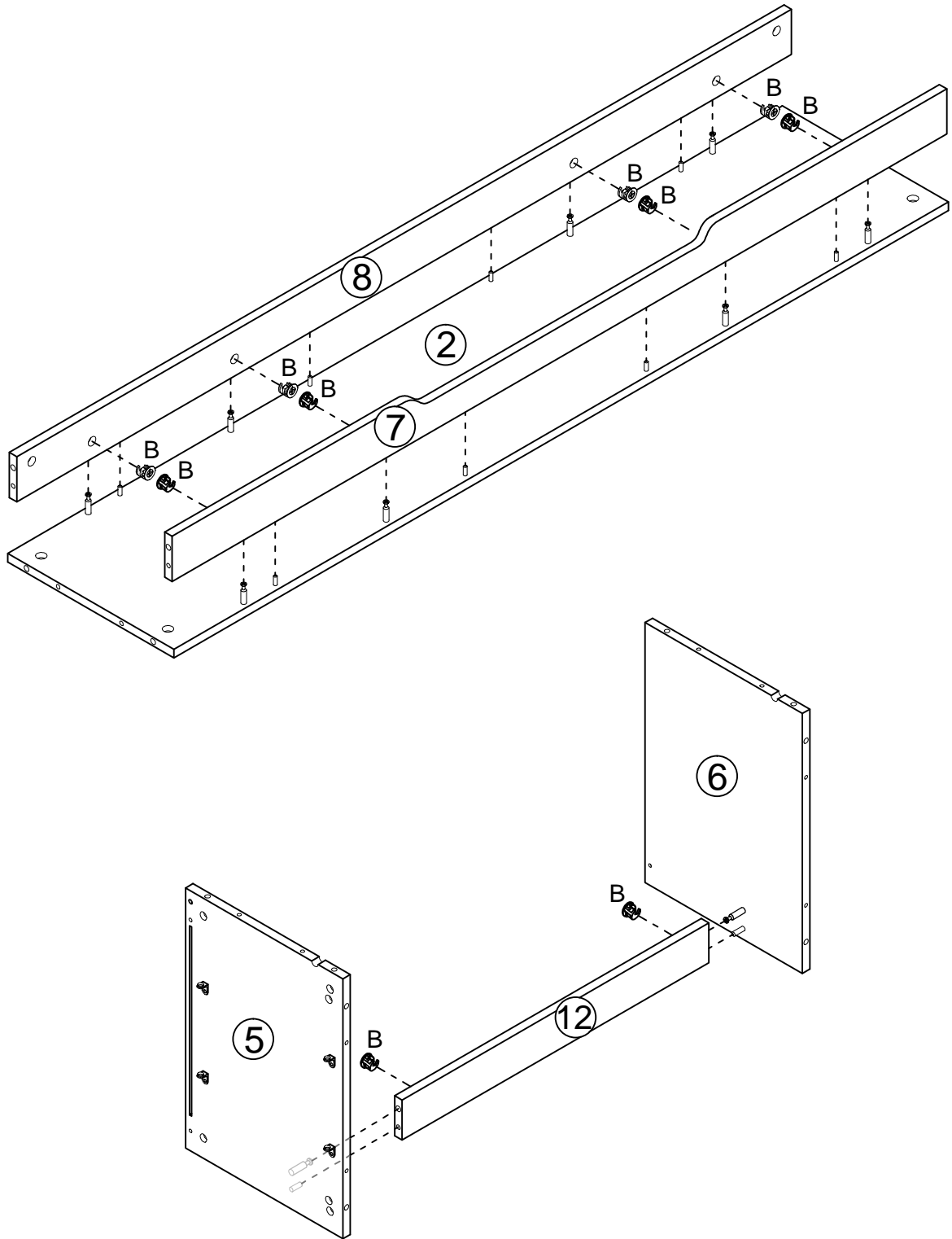
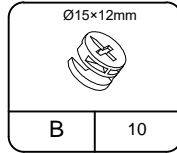
H

16

# STEP 1



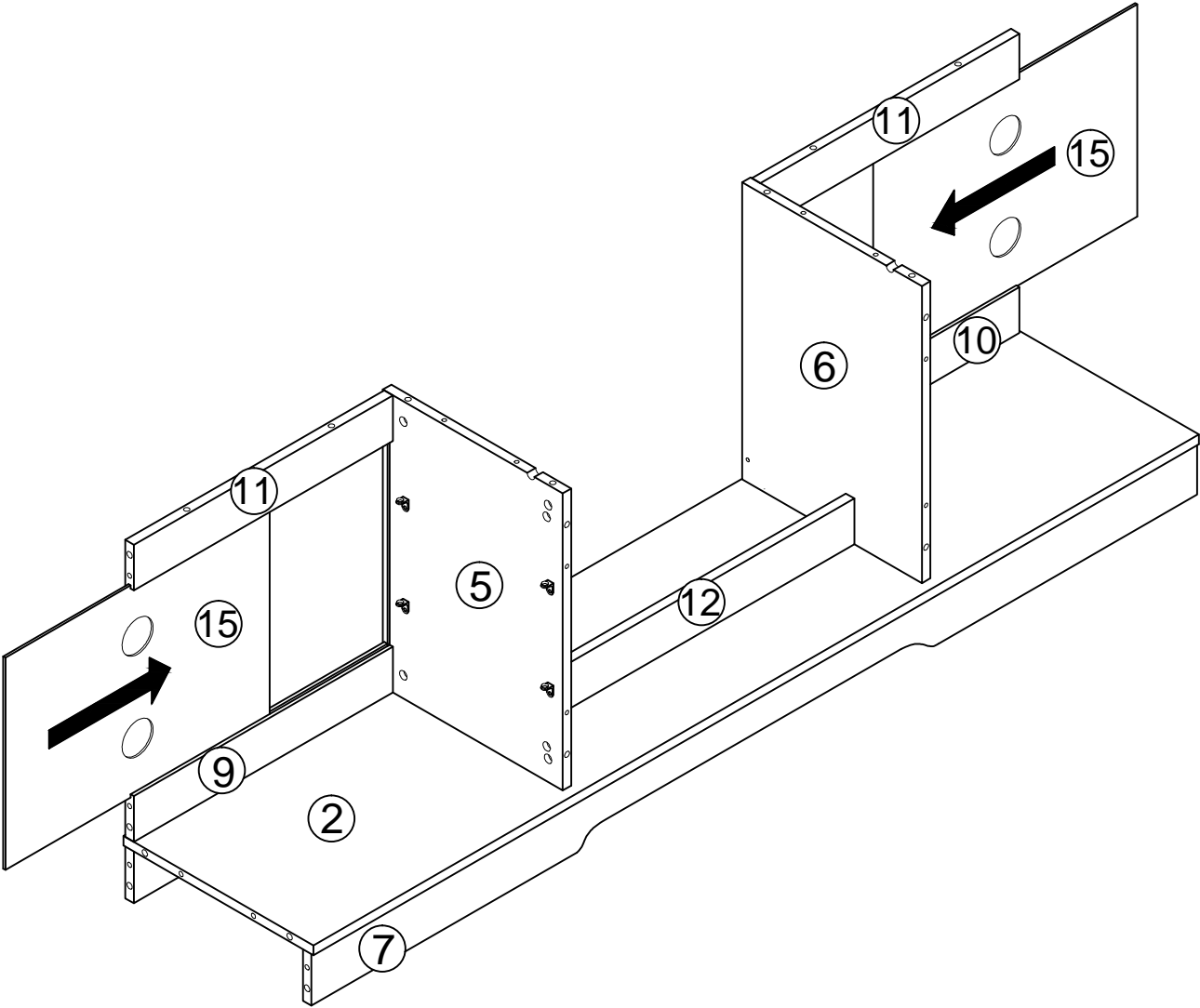
# STEP 2



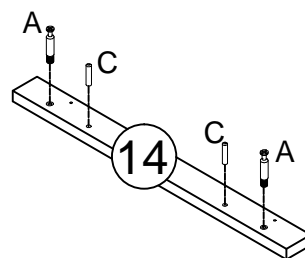
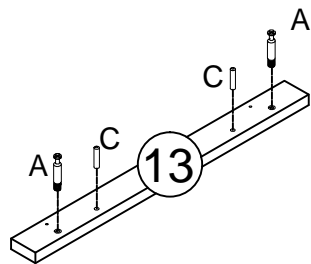
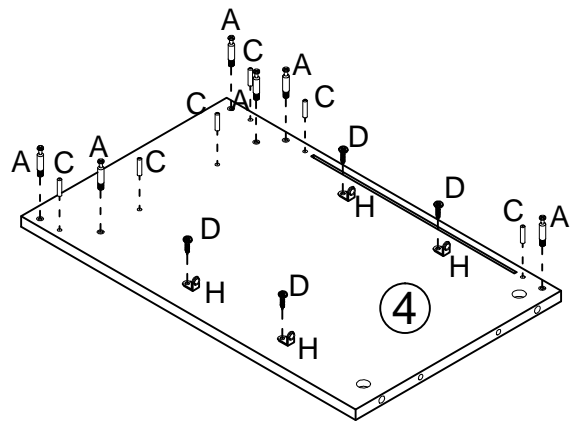
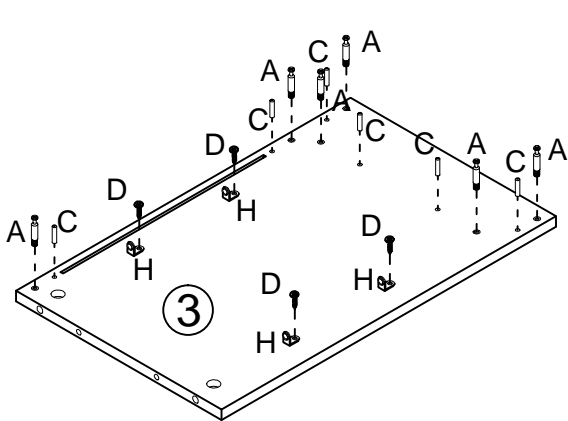
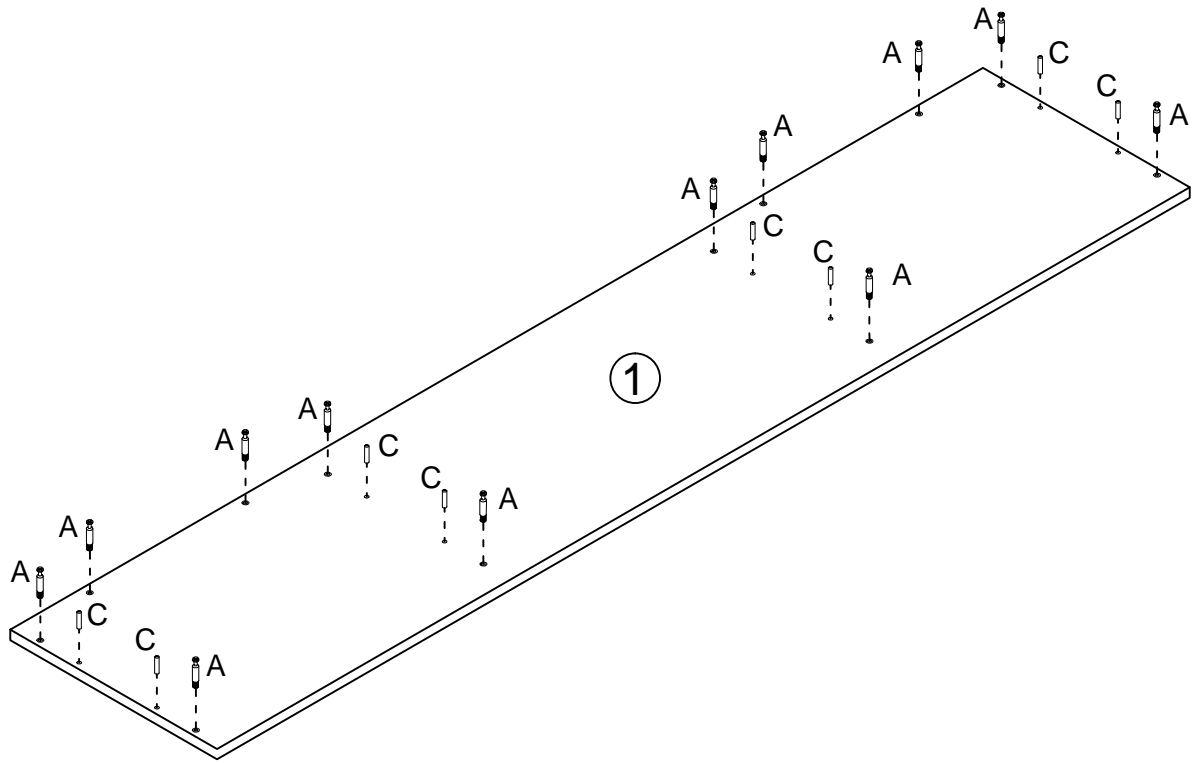
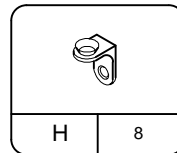
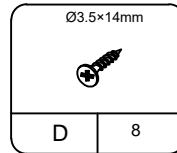
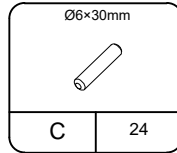
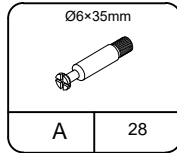


# STEP 4

---

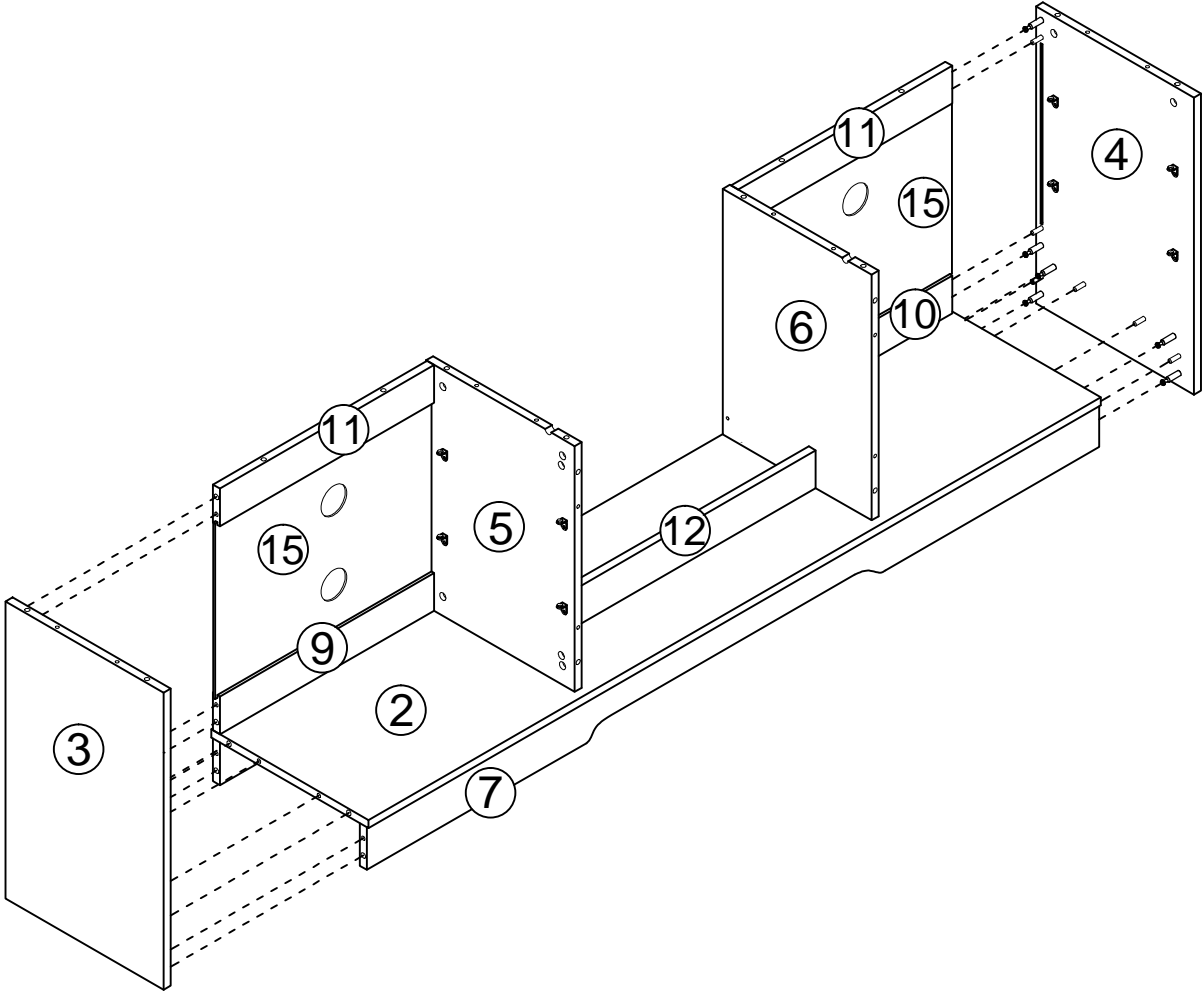


# STEP 5

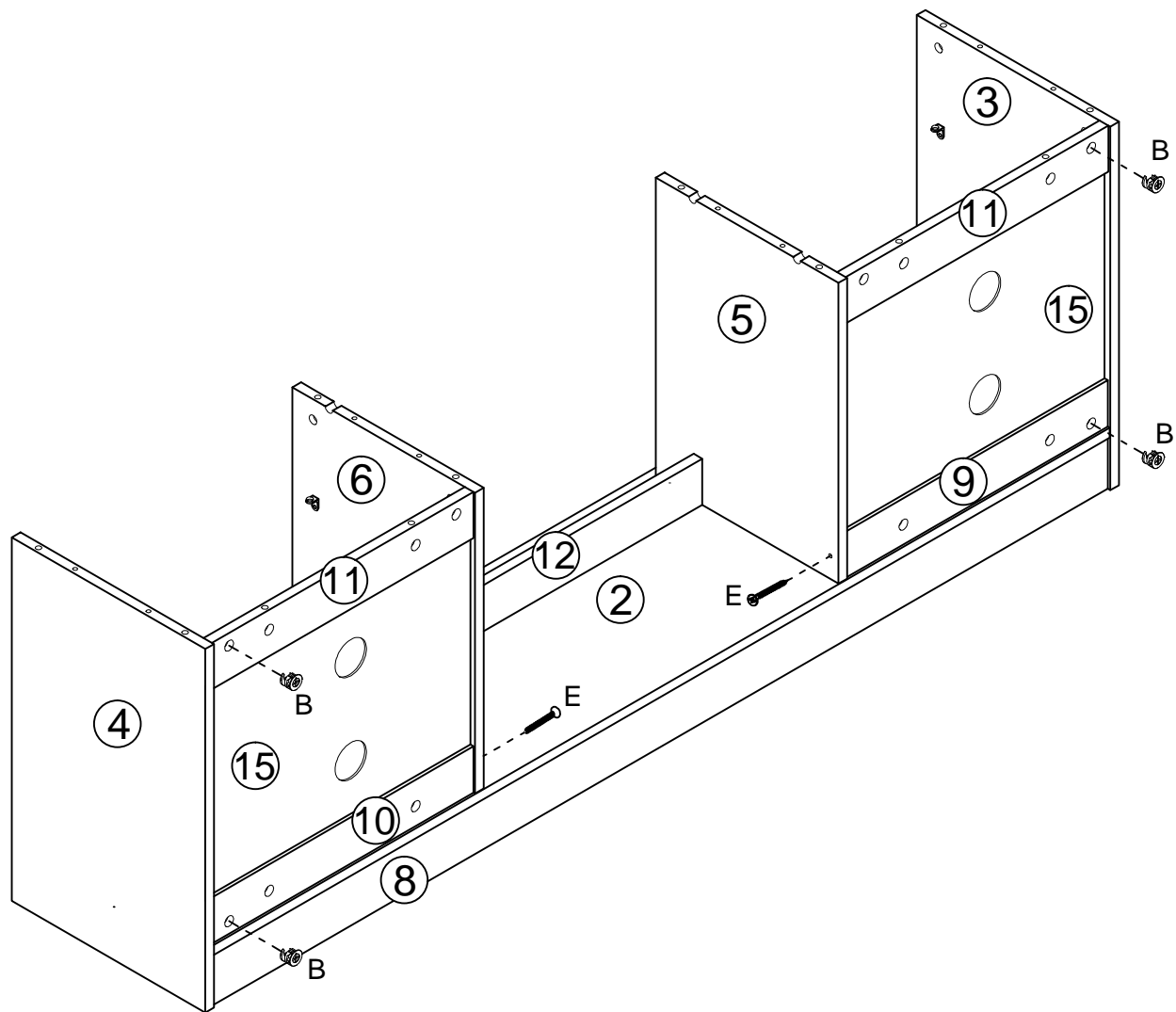
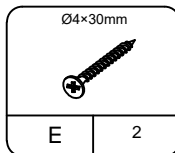
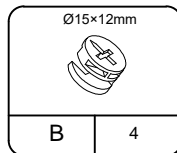


# STEP 6

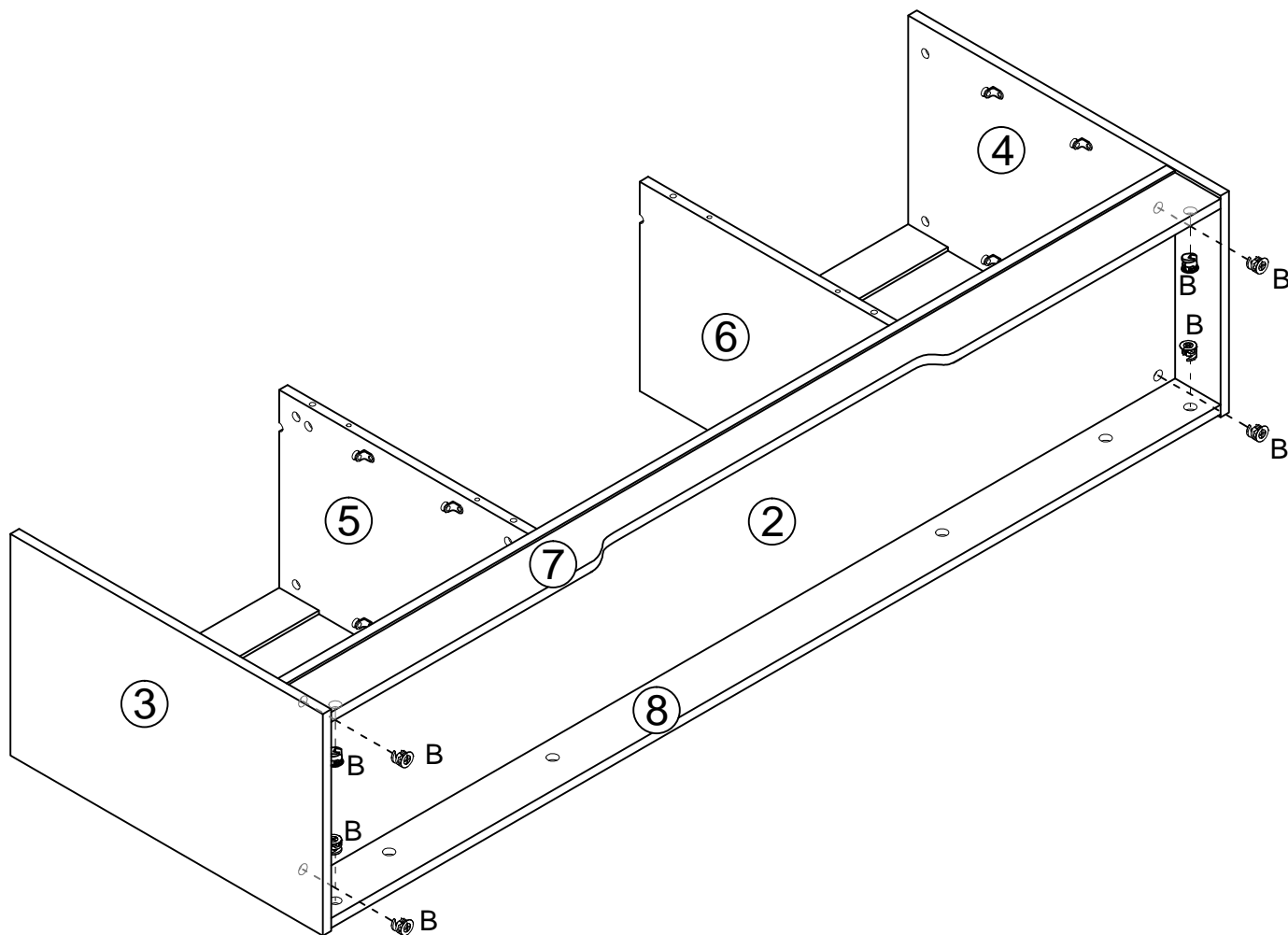
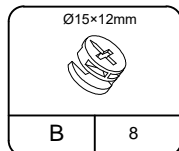
---



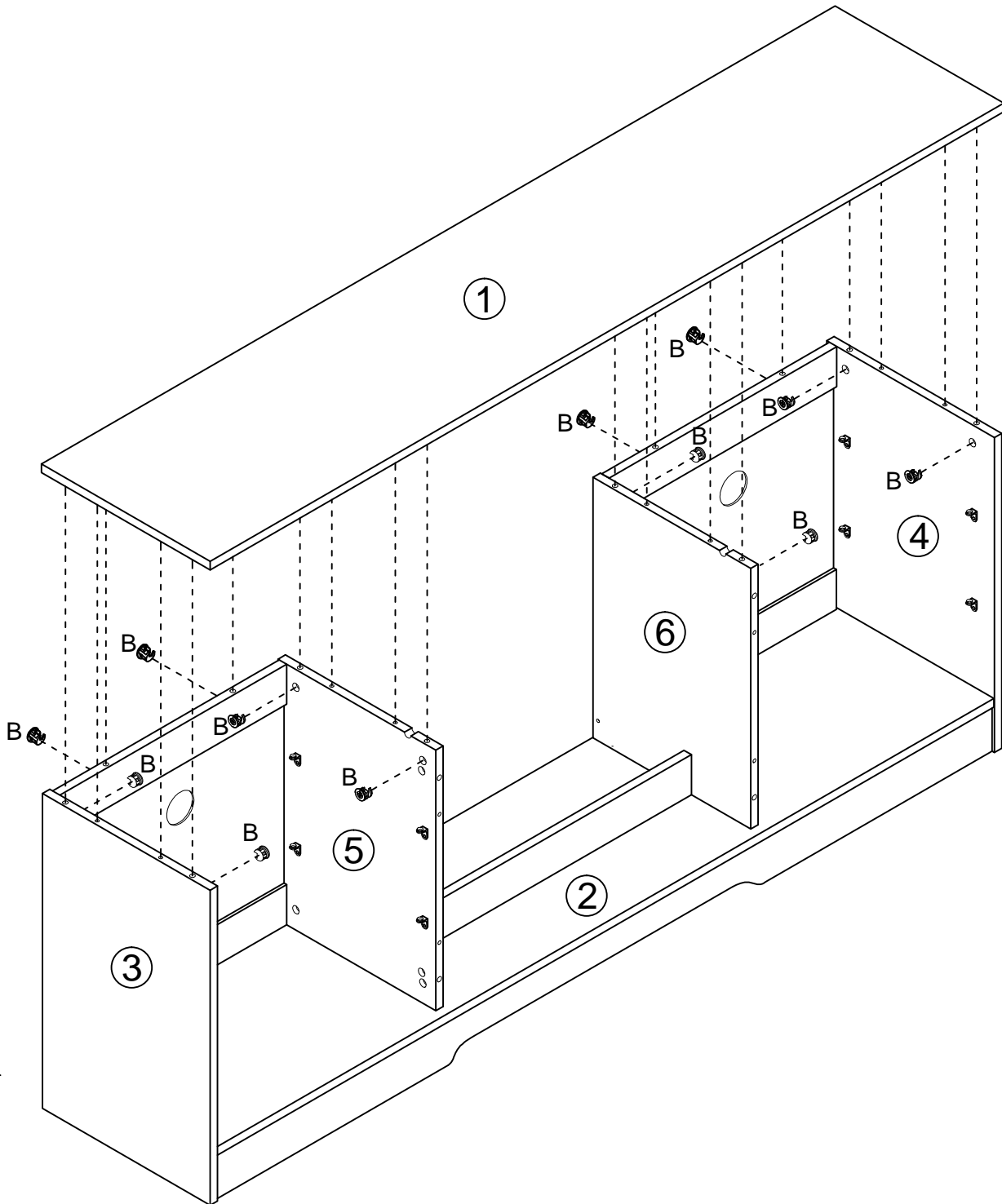
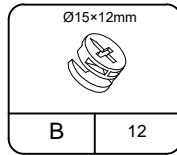
# STEP 7



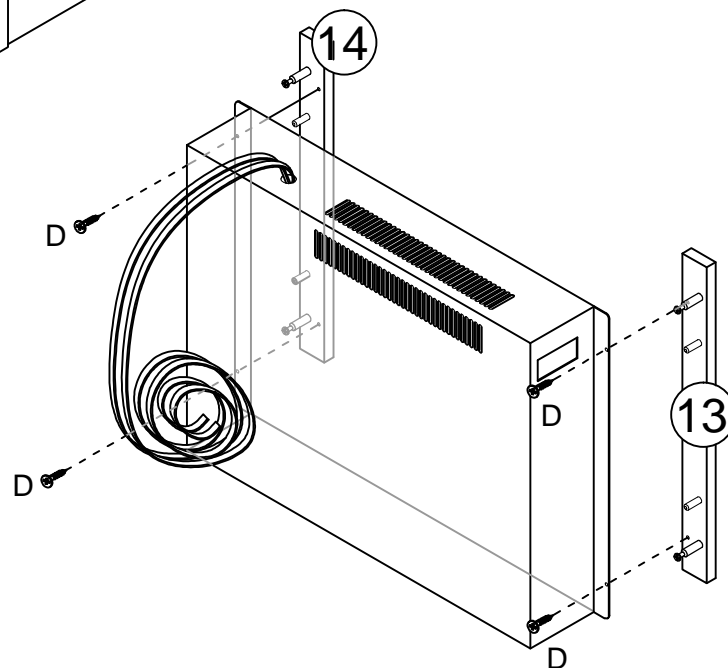
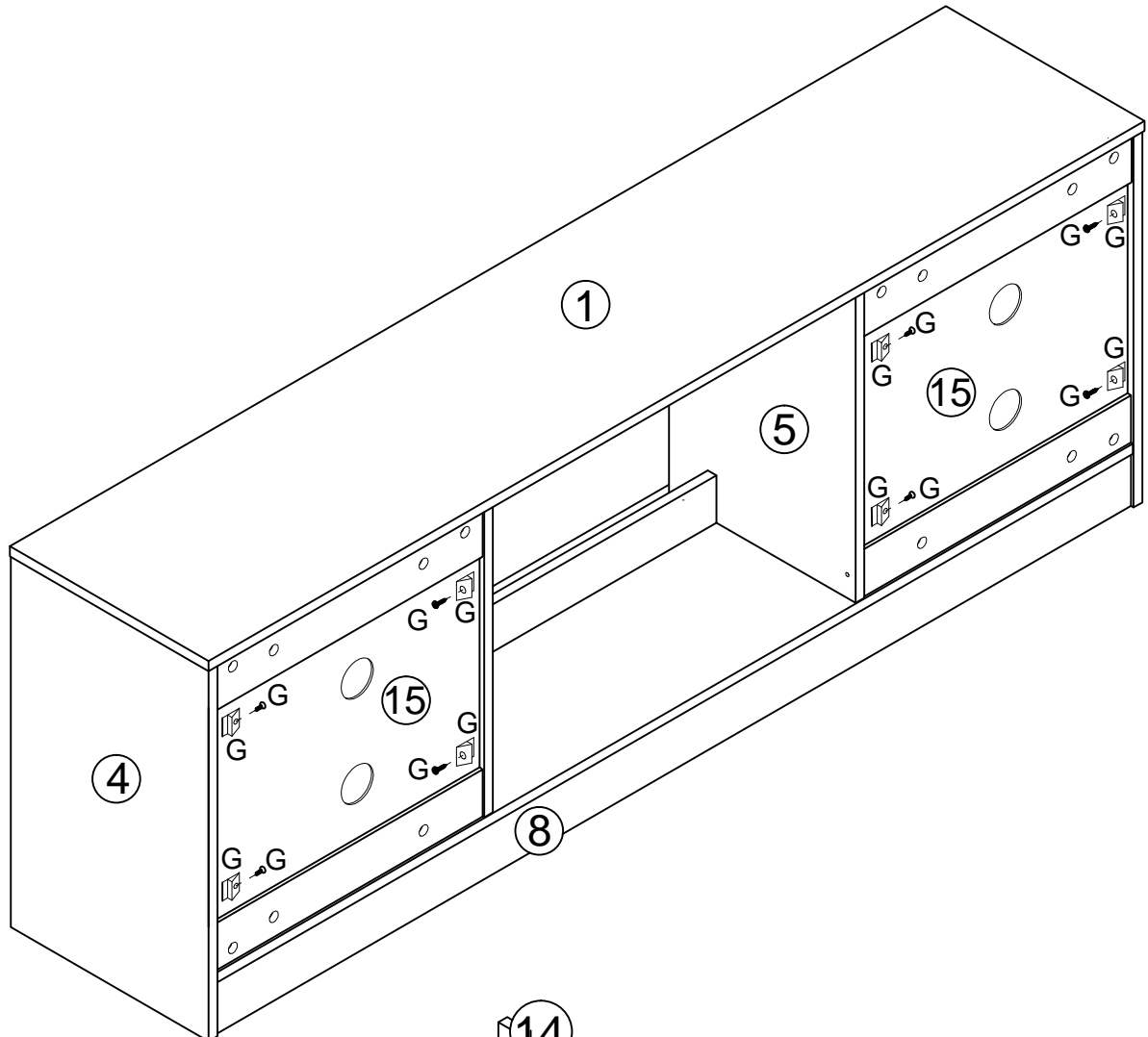
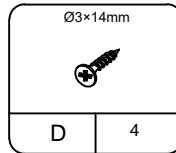
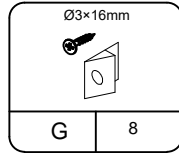
# STEP 8



# STEP 9



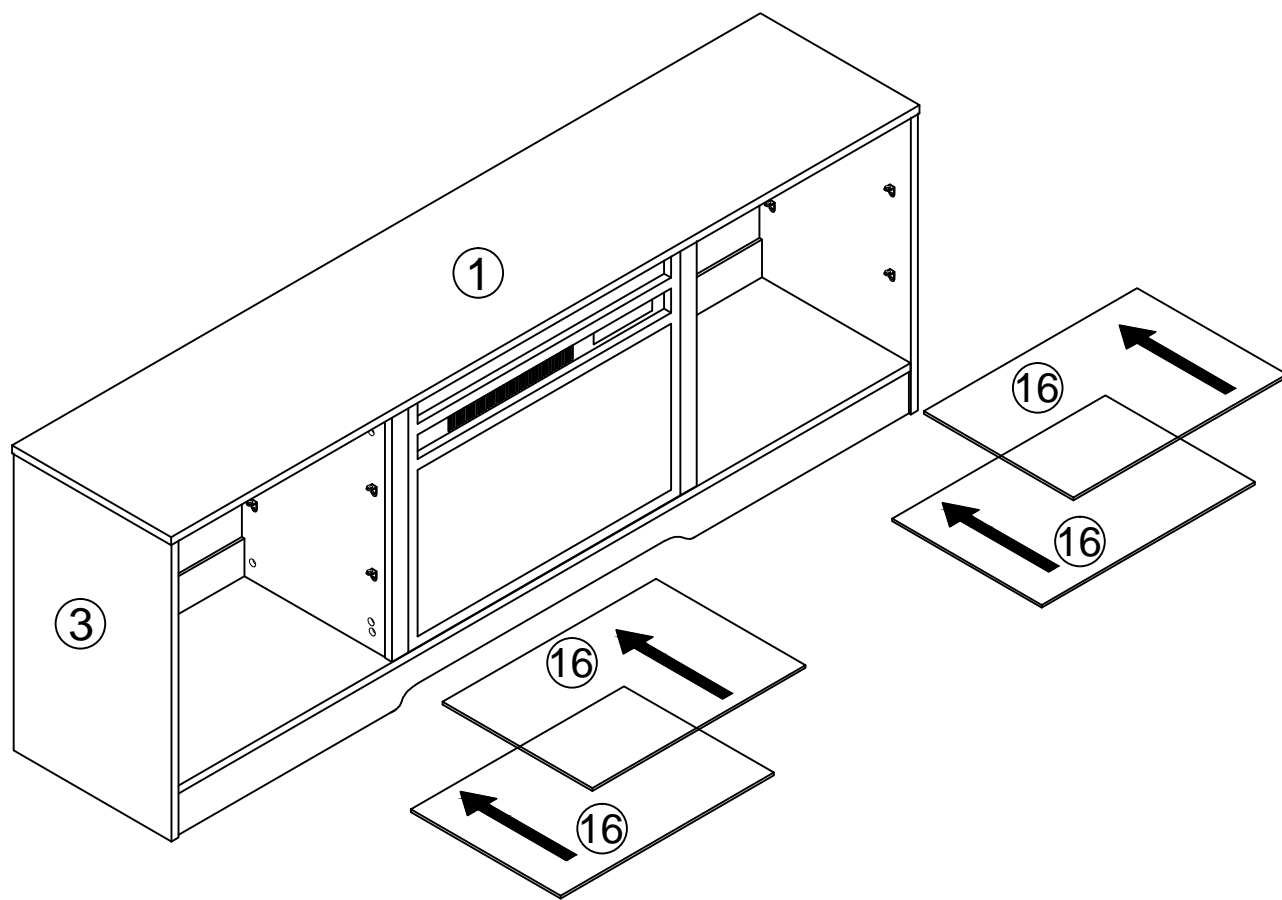
# STEP 10





# STEP 12

---



# STEP 13

