

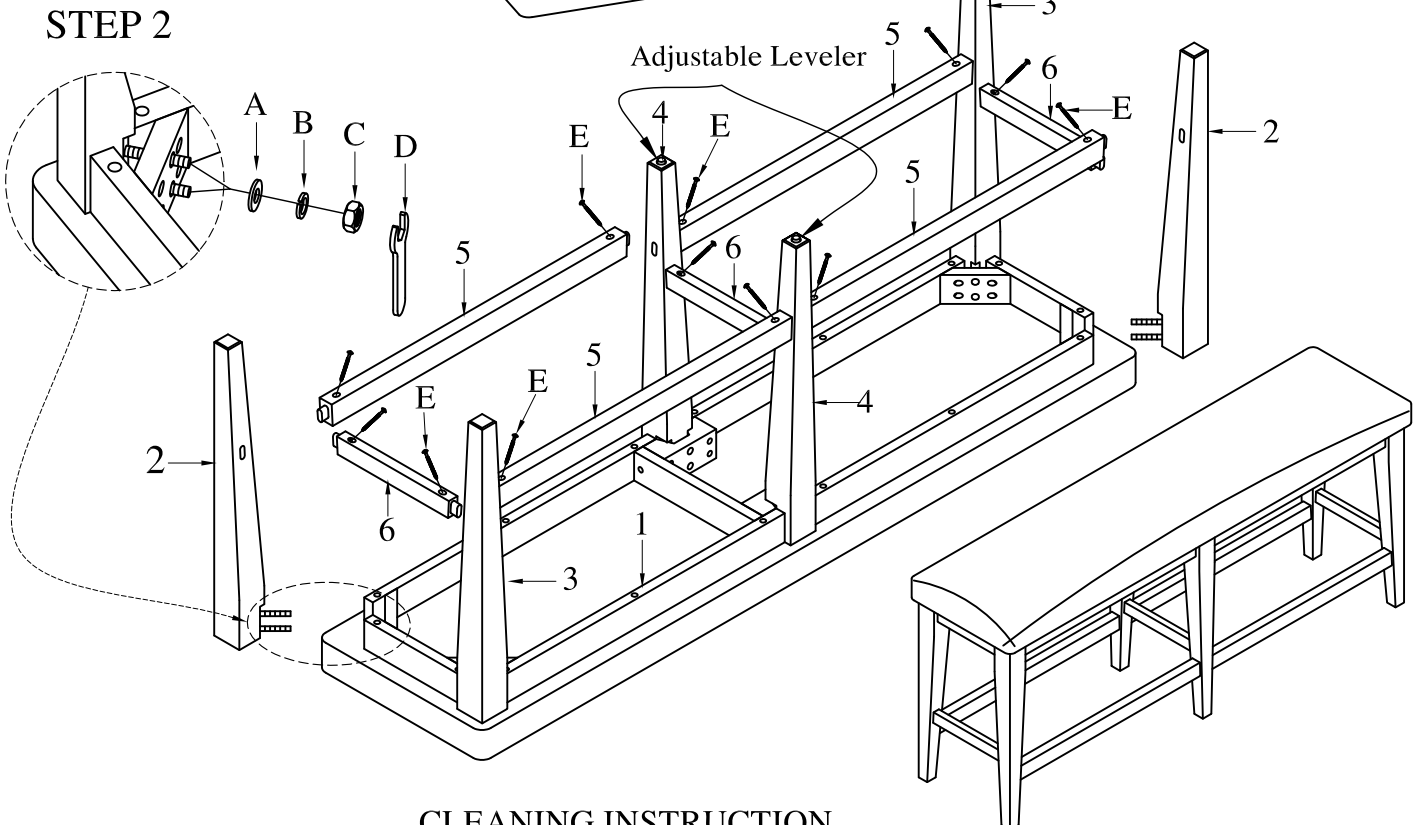
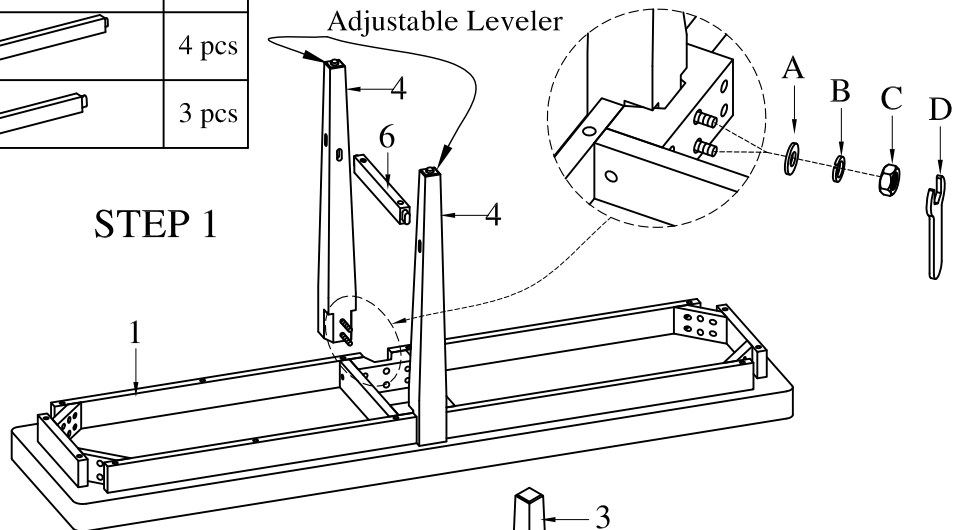
ASSEMBLY INSTRUCTION

DESCRIPTION: GATHERING BENCH

Thank you for purchasing this quality product. Be sure to check all packing material carefully for small parts which may have come loose inside the carton during shipment. Identify and count all parts and compare with the parts list below.

PARTS LIST			
NO.	DESCRIPTION	DRAWING	Q'TY
1	Seat Frame		1 pc
2	Bench Leg Left		2 pcs
3	Bench Leg Right		2 pcs
4	Center Leg		2 pcs
5	Front Stretcher		4 pcs
6	Side Stretcher		3 pcs

HARDWARE LIST			
NO.	DESCRIPTION	DRAWING	Q'TY
A	Flat Washer $\phi 5/16$ " x $\phi 19$ mm		12 pcs
B	Lock Washer $\phi 5/16$ " x $\phi 12$ mm		12 pcs
C	Hex Nut $\phi 5/16$ "		12 pcs
D	Wrench 3" x 1/2"		1 pc
E	Wood Screw #8 x 2"		14 pcs



CLEANING INSTRUCTION