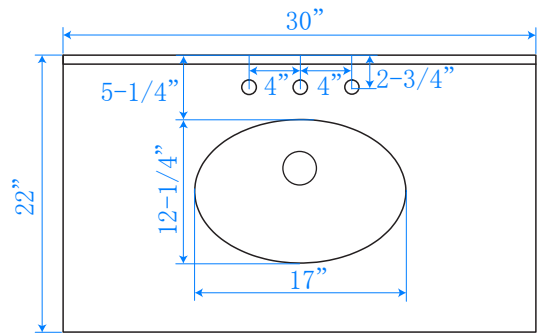
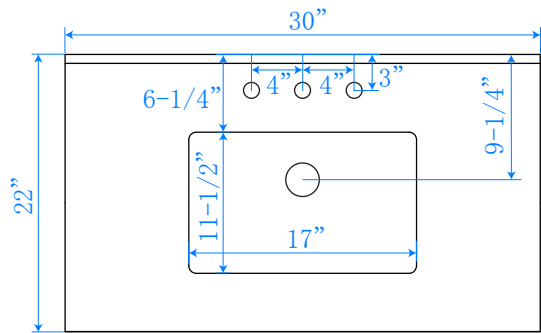
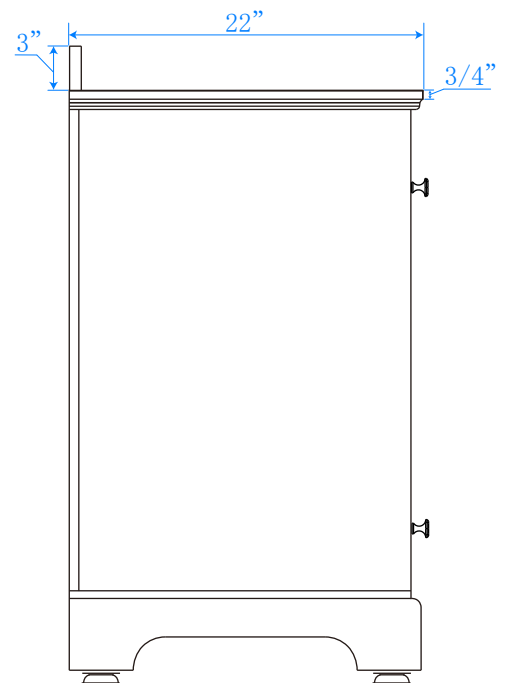
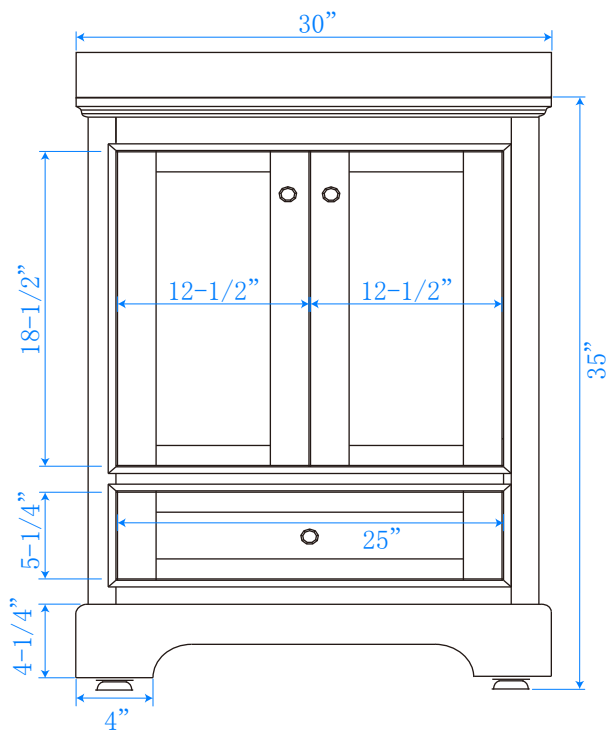
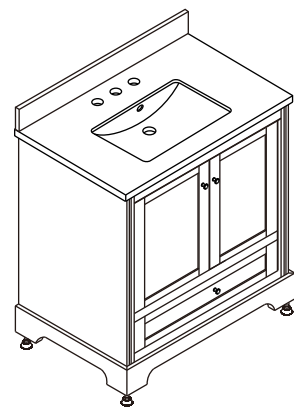
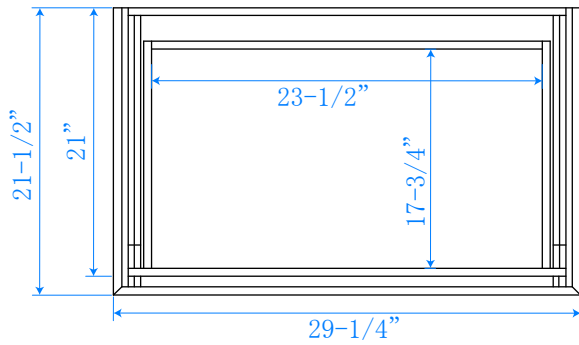


WYNDHAM COLLECTION



TOP VIEW OF VANITY CABINET



*Note: All Measurements are $\pm 1/4"$

WC-2020-30