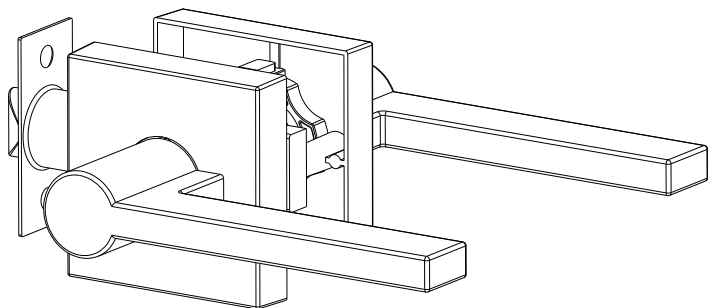


Manual



Scan the QR Code: Use your smartphone to scan the QR code below and access the installation video.

Website Login: Visit our official website at www.secusly.com, log in, and navigate to the installation video section to watch detailed guidelines.

The installation video provides clear instructions to ensure a smooth setup process. If you have any questions or encounter any issues, please contact our customer support at support@secusly.com.

Thank you for choosing our product! We wish you a successful installation!

Thank you!

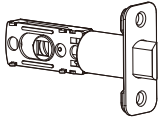


Handle Lever Installation Guide

Please scan the QR code to watch installation video for the smart lock before you install it.

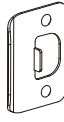
A: Parts identification

a



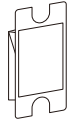
Latch

b



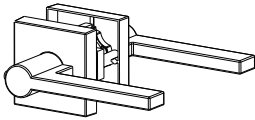
Strike

c



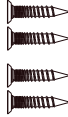
Dust Cover

d



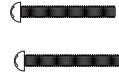
Handset

e



Latch/Strike Screws

f



Mounting Plate Screws

Installation Instructions



Before Installing the Lock, Check Door Jamb and Door Preparation



Door thickness :
1-3/8" to 2"
(35mm to 50mm)

Backset:
2-3/8" or 2-3/4"
(60mm or 70mm)

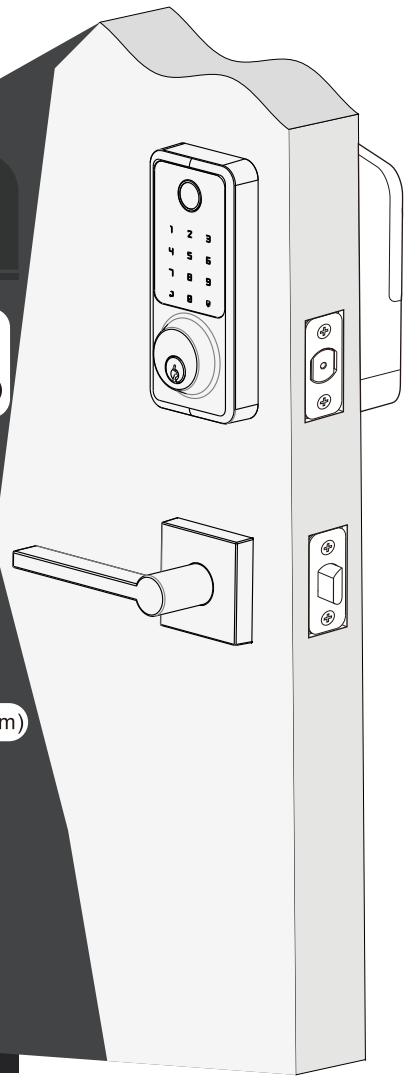
2-1/8"(54mm)

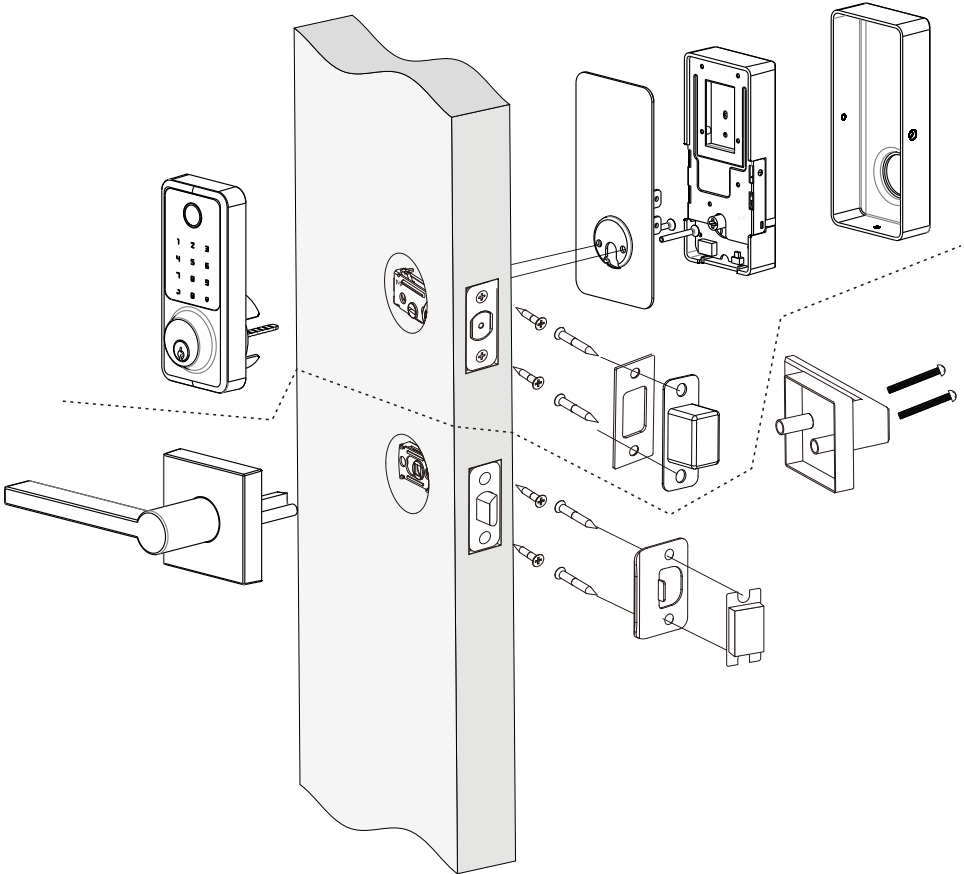
2-1/8"(54mm)

1"(25mm)

5"(127mm)

1"(25mm)





Door thickness :
1-3/8" to 2"
(35mm to 50mm)

Backset:
2-3/8 " or 2-3/4 "
(60mm or 70mm)

2-1/8"(54mm)

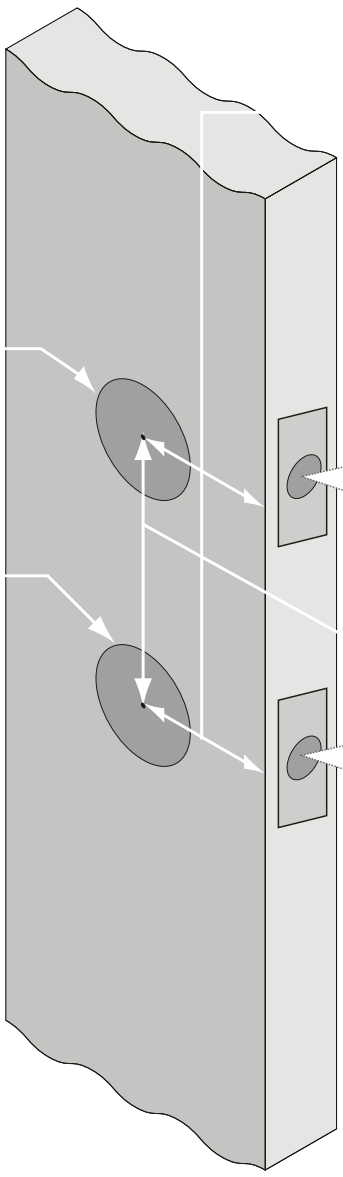
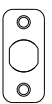
2-1/8"(54mm)

1"(25mm)



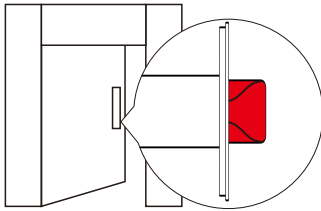
5"(127mm)

1"(25mm)

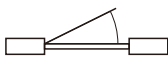


a

Left push door



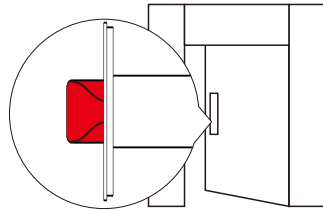
Indoor



Outdoor

Left push door

Right push door



Indoor



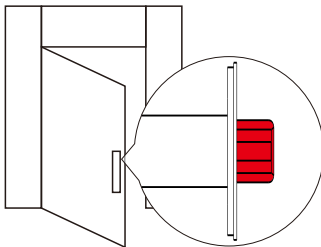
Outdoor

Right push door

When the door is pushed inwards, the latch is installed outwards.

b

Left pull door



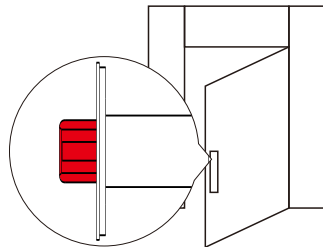
Indoor



Outdoor

Left pull door

Right pull door



Indoor

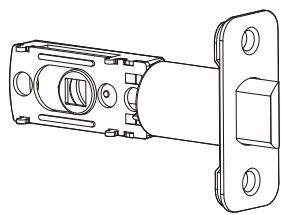
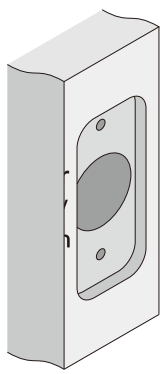


Outdoor

Right pull door

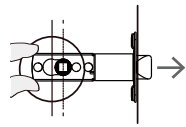
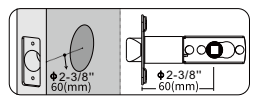
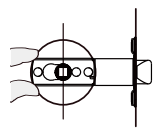
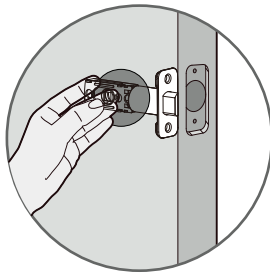
When the door is pulled out, the latch is installed inward

2. Choose faceplate

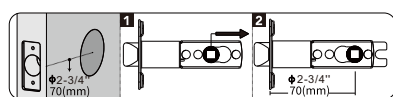


a

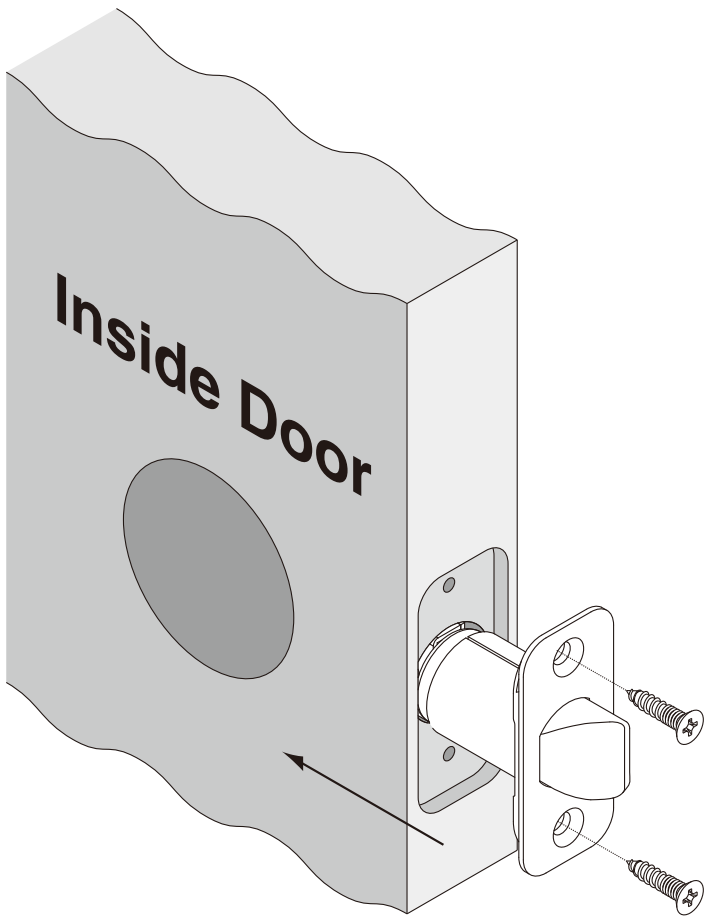
Is the slotted hole centered in the door hole?



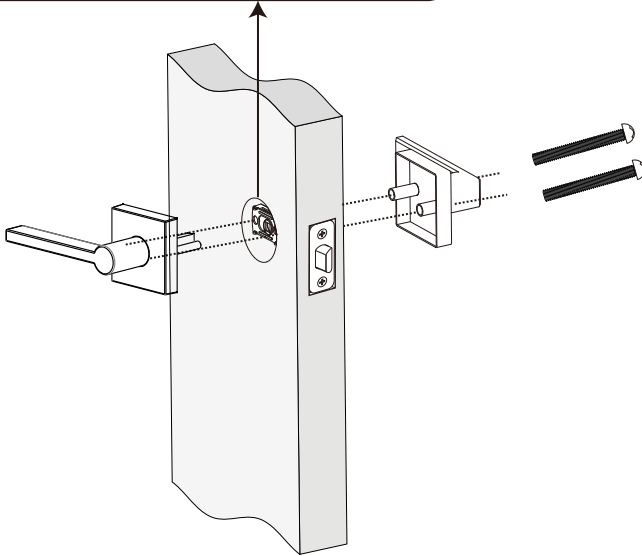
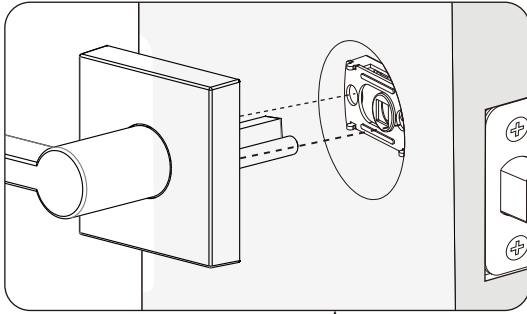
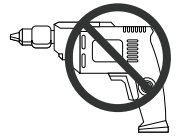
Bolt ships with backset in 2-3/8" (60mm) position. If required, turn the bolt case and pull to extend to 2-3/4" (70mm) backset position.



3. Install latch



4. Install handleset



5. Install lever

