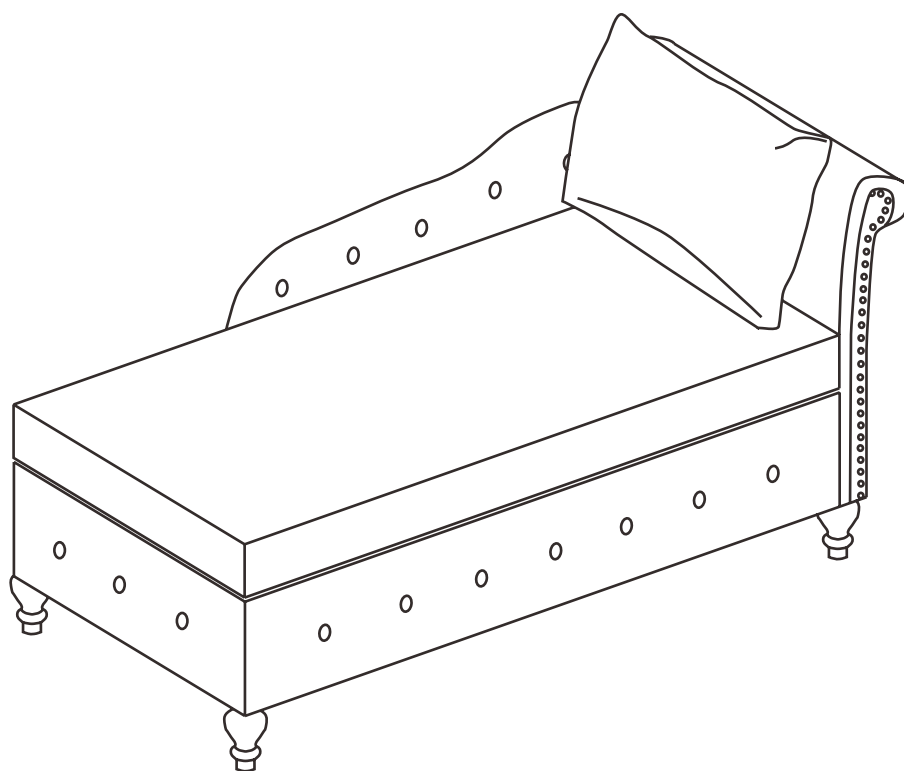


Chaise Lounge Sofa

USER MANUAL



PLEASE READ AND SAVE THIS INSTRUCTION FOR FUTURE USE.

Only for domestic use.

Instructions for use:

- Put the chair stably on a flat floor.
- Avoid the overload at the chair.
- Do not stand on the product or use this product as a step ladder.
- Do not use this product unless all bolts, screws and knobs are firmly secured.
- Please do not use the knife to open any parts of the box or product.
- Building the chairs in good condition.
- Stay away from open flames. Do not expose it to extreme temperatures or moisture.
- Do not allow children to assemble or play around the chair.

Precautions before assembly:

- Prepare a clean and dry mounting area.
- Verify that the product is not damaged.
- Check that none of the pieces are missing.

Maintenance:

- Clean the surface with a mild detergent and a soft cloth.
- Avoid using harsh chemicals or abrasive cleaners, as they may damage the chair's surface.
- Inspect the chair regularly for any signs of wear or loose parts.
- Keep the chair away from direct sunlight to prevent fading or discolouration.
- The fabric should be stored completely dry, and in a clean and dry place to avoid the risks of mould.

Beware of crushing and cutting hazards during assembly. The manufacturer declines all responsibility in case of damages due to a bad installation or withering.

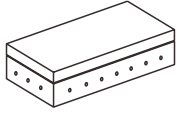
If you have any questions or encounter any issues with the chair assembly or usage, please contact the seller for assistance.

We hope you enjoy using your new chair!

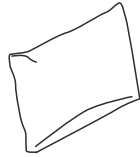
Part List

Tips: The armrest, backrest, pillow and legs are all under the seat!

Ⓐ x1PC



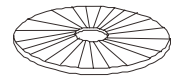
Ⓑ x1PC



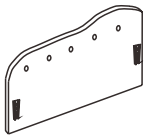
Ⓒ x1PC



Ⓓ x4PCS



Ⓔ x1PC

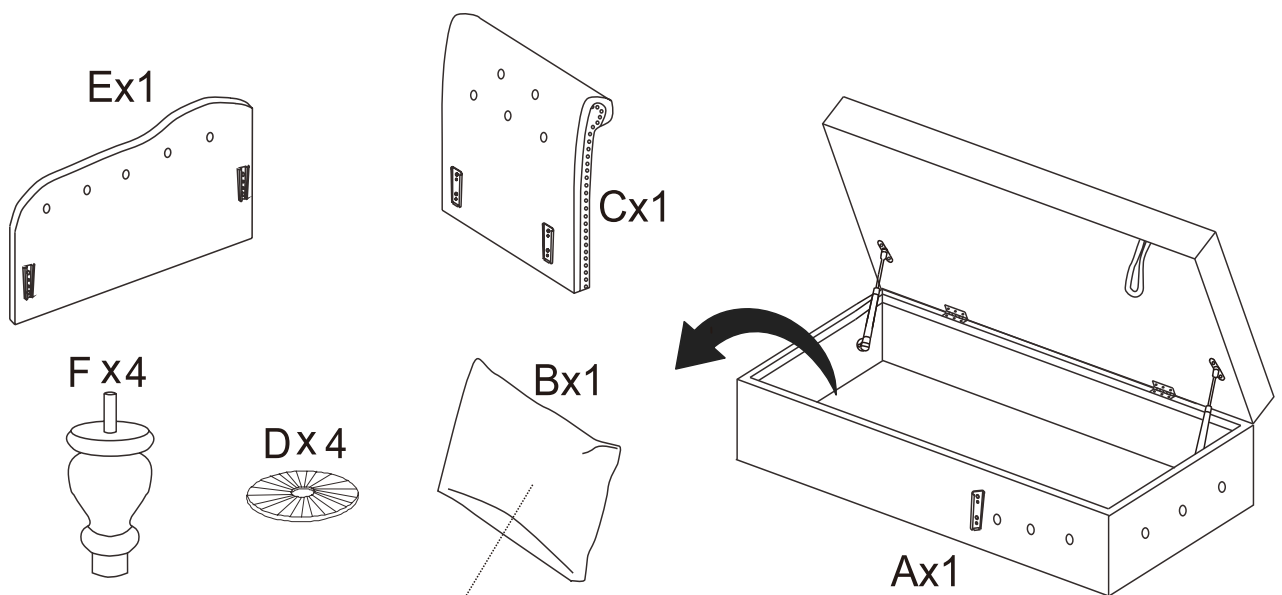


Ⓕ x4PCS



STEP 1

Take out all of the parts from the inside of the set.

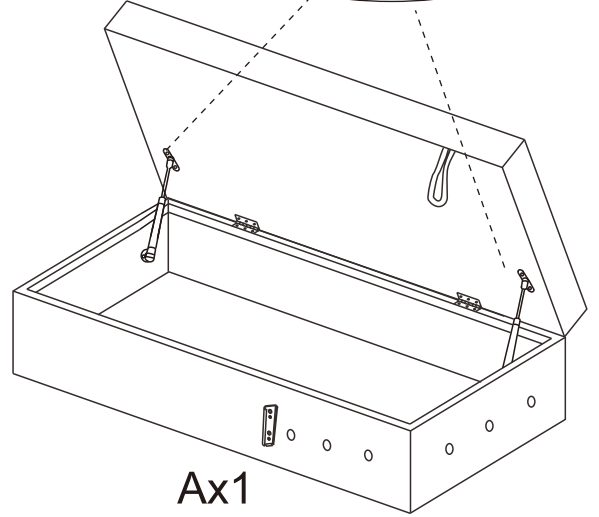
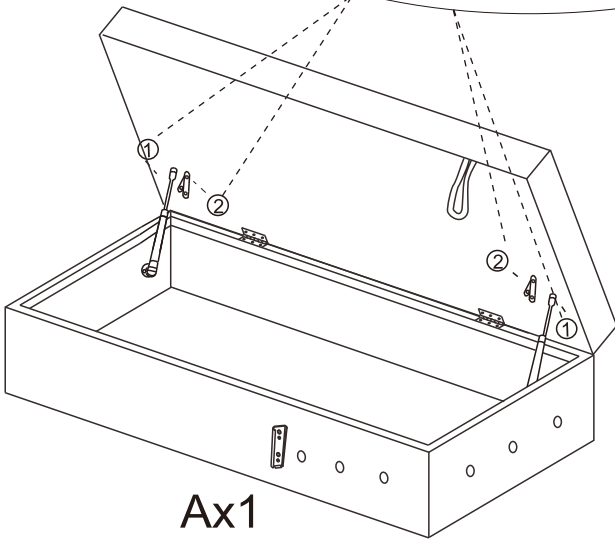


Tips: If the pillow B has wrinkles, please pat it gently to restore it. Thank you for your understanding.

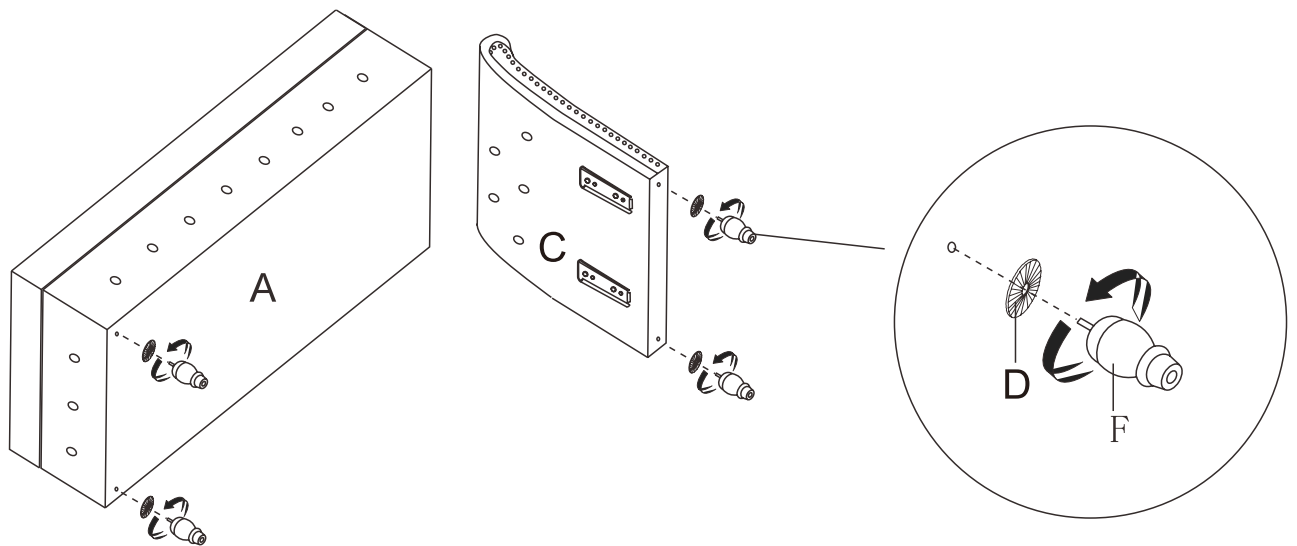
STEP 2

The hydraulic rod requires you to perform the final step of assembly. Please buckle the buckle 1 and the hole 2 to ensure normal use.

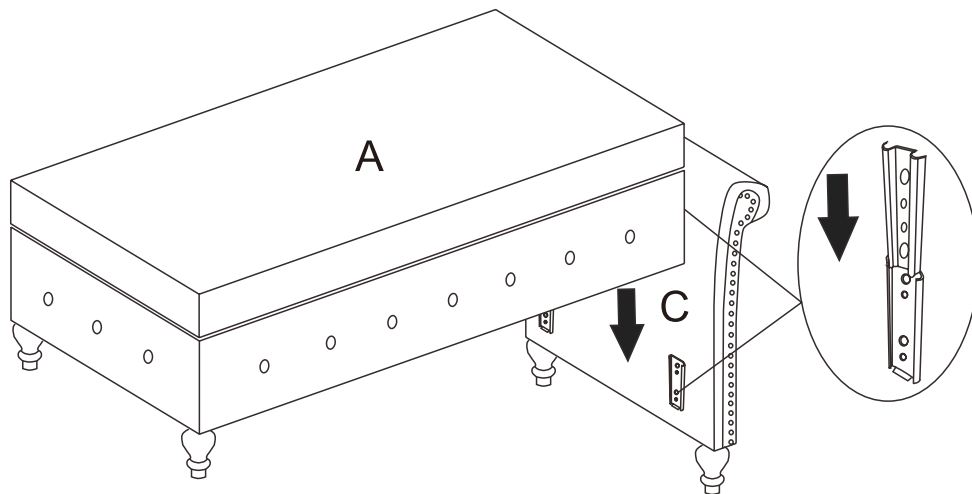
Installation completion statusStatus.



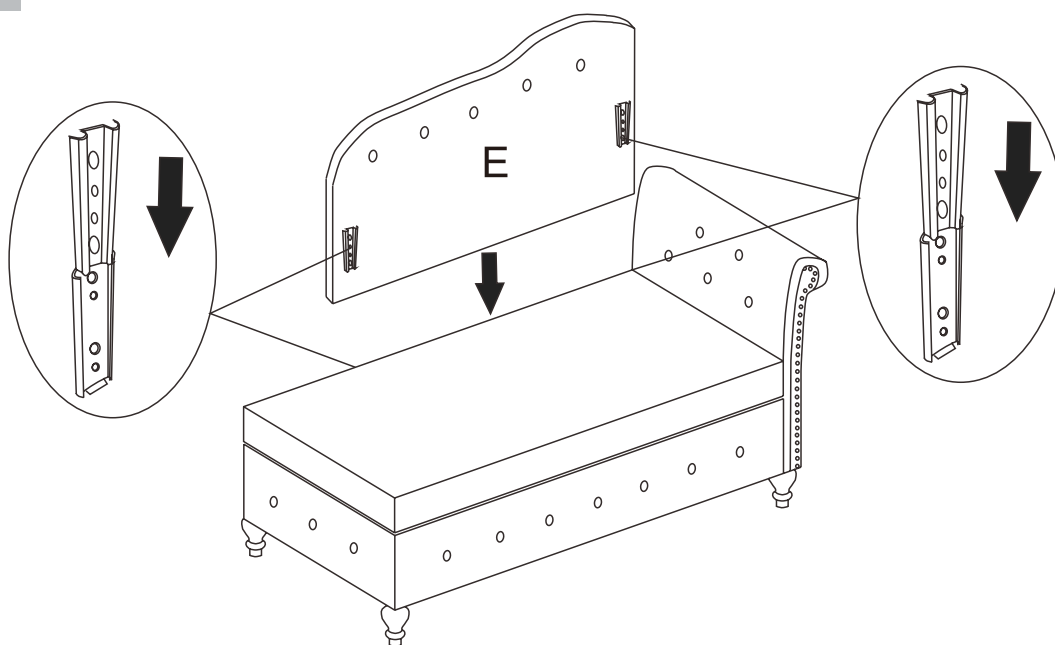
STEP 3



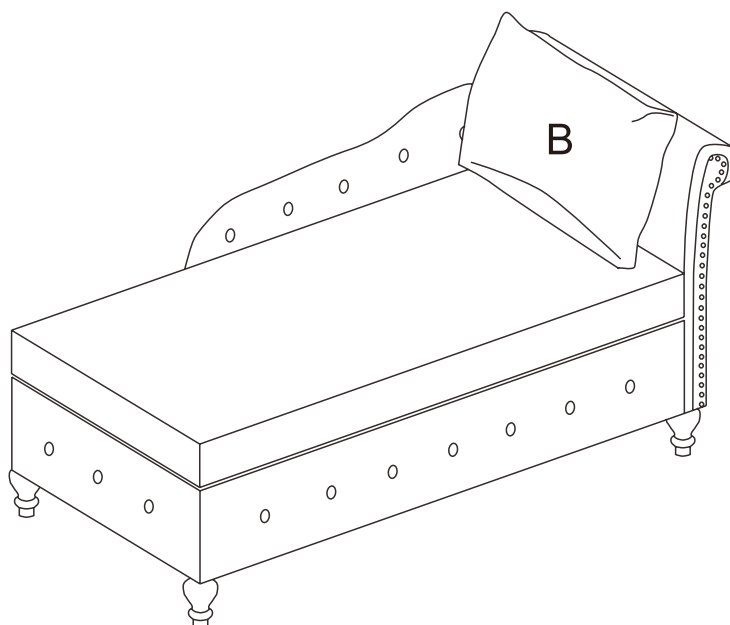
STEP 4



STEP 5



STEP 6



FINISHED
FERTIG